



US00D330671S

# United States Patent [19]

Greene et al.

[11] Patent Number: **Des. 330,671**

[45] Date of Patent: **\*\* Nov. 3, 1992**

[54] **PULLEY FOR LOWERING TREE BRANCHES**

[76] Inventors: **Thomas F. Greene**, 2 Harrison Eaton Ln., Amesbury, Mass. 01913; **Arthur B. Davidson**, 56 Ingleside Ave., Cranston, R.I. 02910

[\*\*] Term: **14 Years**

[21] Appl. No.: **604,599**

[22] Filed: **Oct. 29, 1990**

[52] U.S. Cl. .... **D8/360; D34/33**

[58] Field of Search ..... **D8/360; 144/22, 343; 254/361, 245, 331, 340, 347, 134.4, 273, 415, 390; 242/157.1; D34/33**

[56] **References Cited**

**U.S. PATENT DOCUMENTS**

2,922,599 1/1960 Bigelow ..... 242/157.1 X

4,063,712 12/1977 Arbogast ..... 254/164  
4,216,940 8/1980 Martin ..... 254/390  
4,483,491 11/1984 Rainey ..... 242/129.6 X  
4,834,331 5/1989 Domingo ..... 242/129.6 X

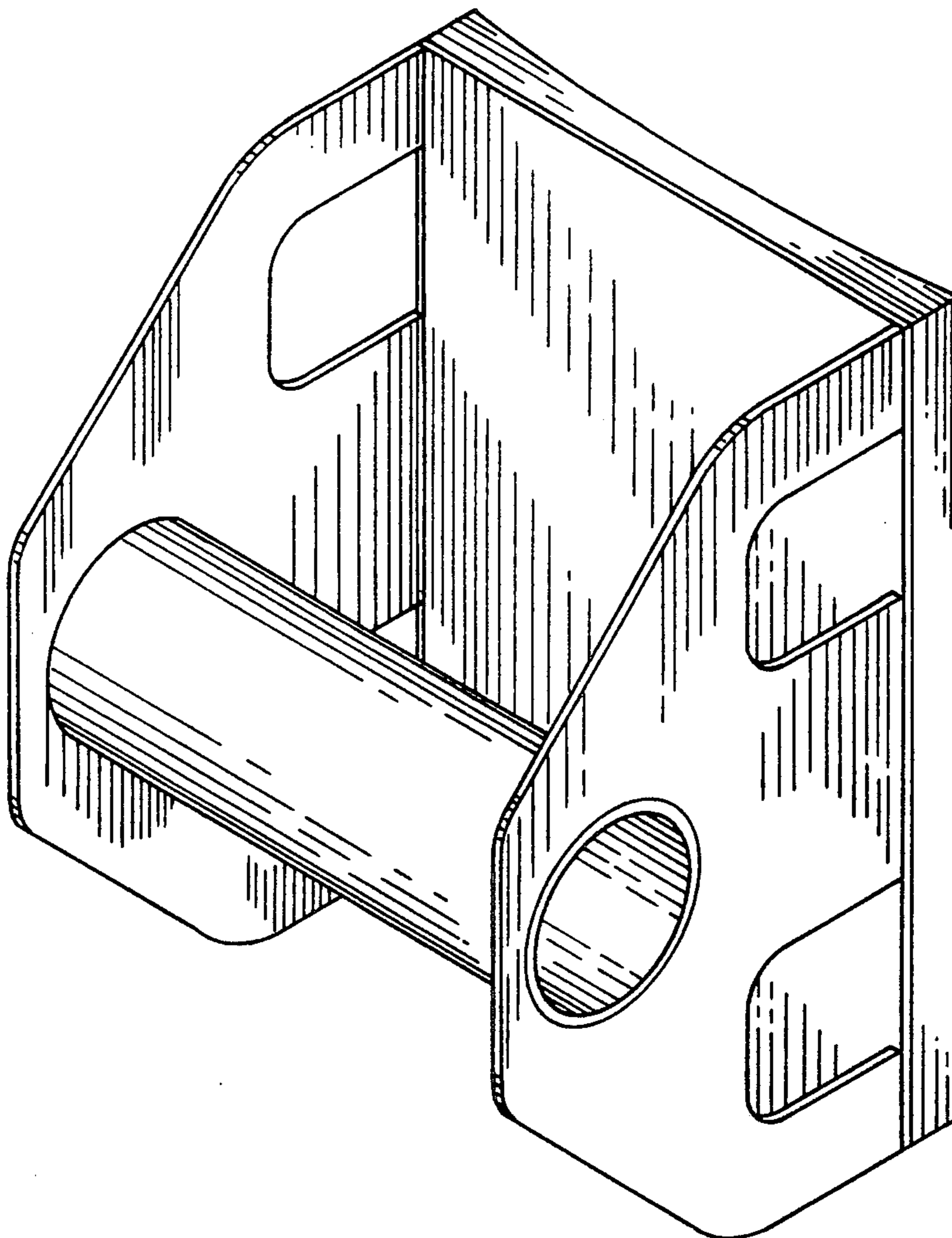
*Primary Examiner*—Wallace R. Burke  
*Assistant Examiner*—H. Baynham  
*Attorney, Agent, or Firm*—John P. McGonagle

[57] **CLAIM**

The ornamental design for a pulley for lowering tree branches, as shown and described.

**DESCRIPTION**

FIG. 1 is a perspective view of a pulley for lowering tree branches showing my new design; FIG. 2 is a front elevational view thereof; FIG. 3 is a rear elevational view thereof; FIG. 4 is a right side elevational view thereof, the left side being a mirror image of that shown; and, FIG. 5 is a top plan view thereof, the bottom being a mirror image of that shown.



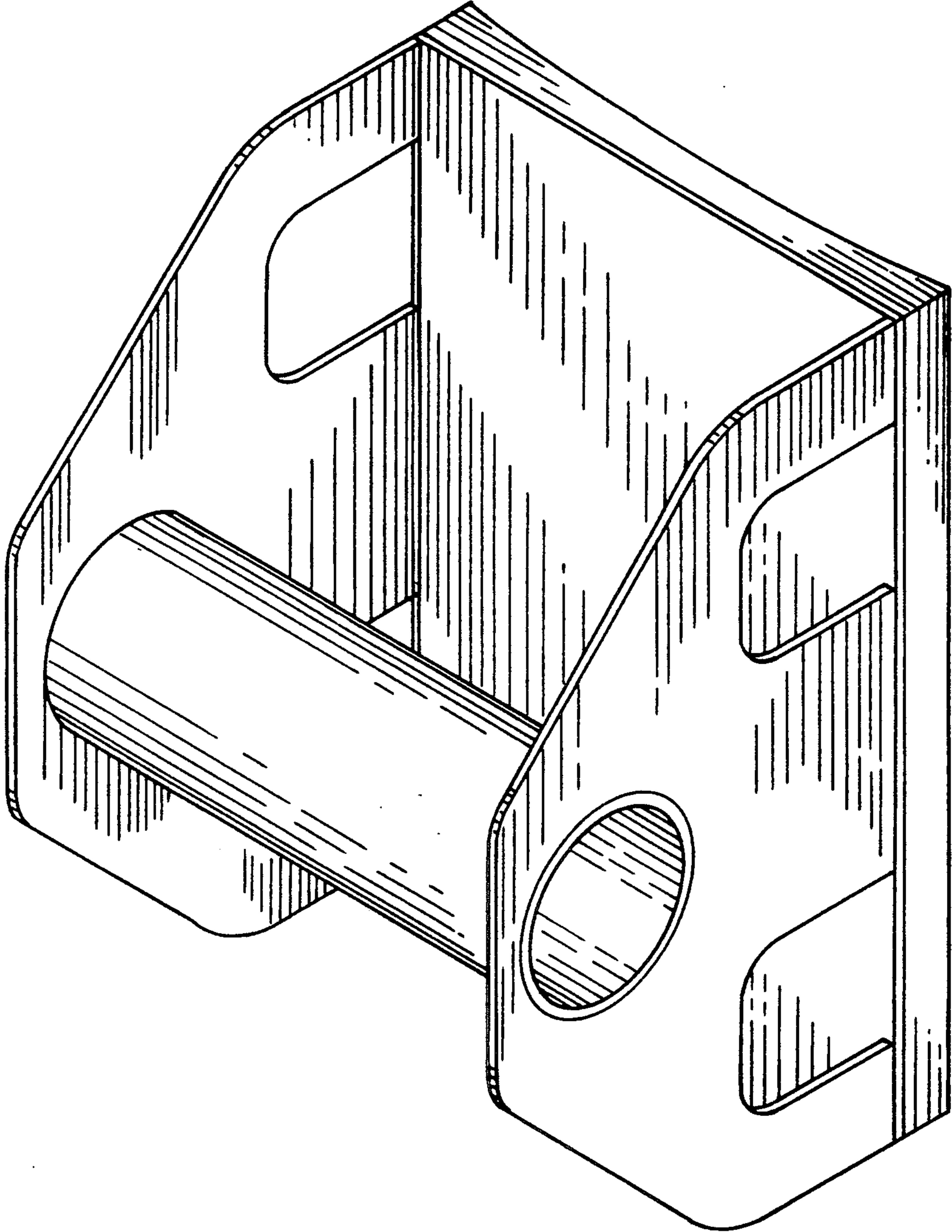


FIG. 1

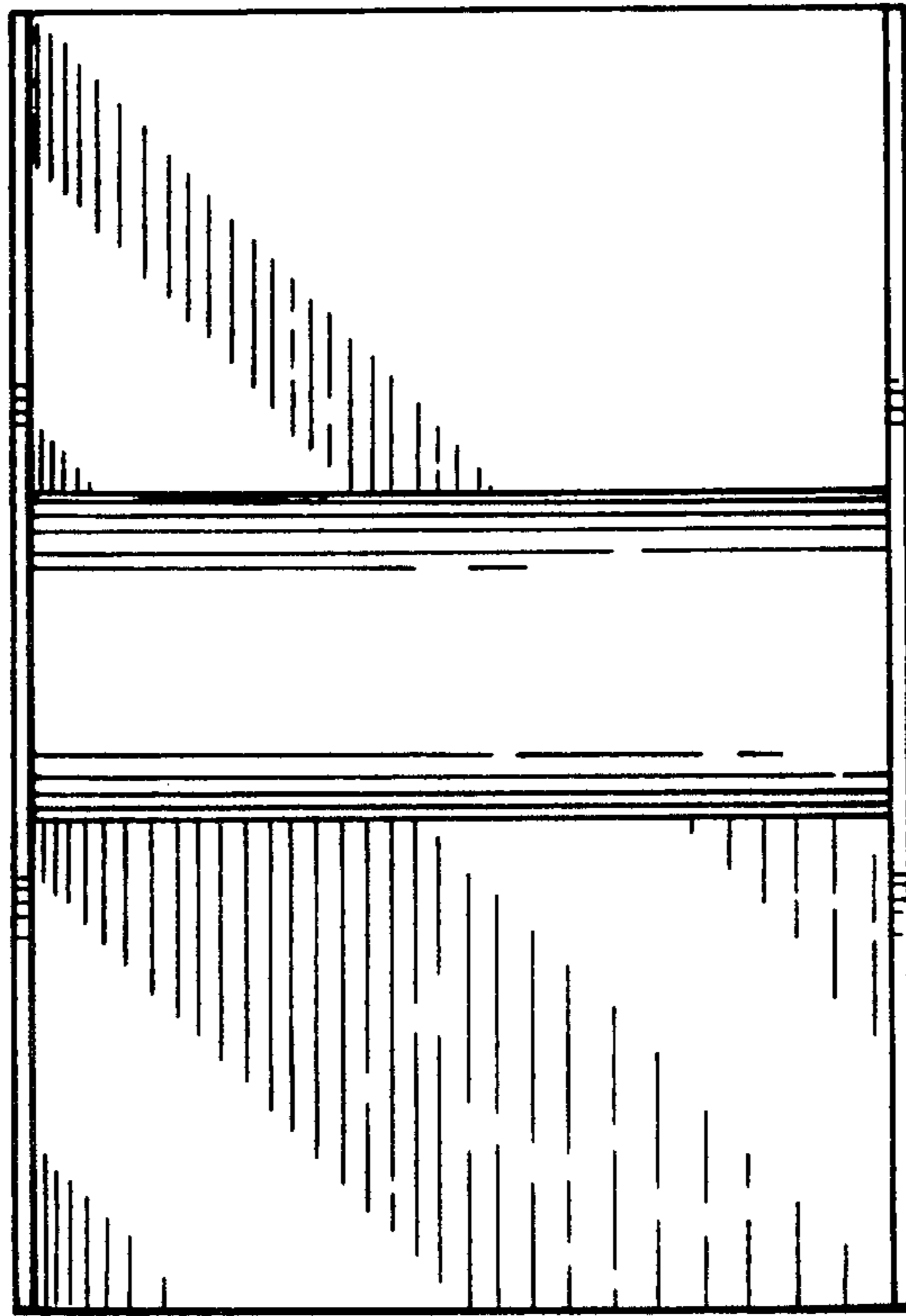


FIG. 2

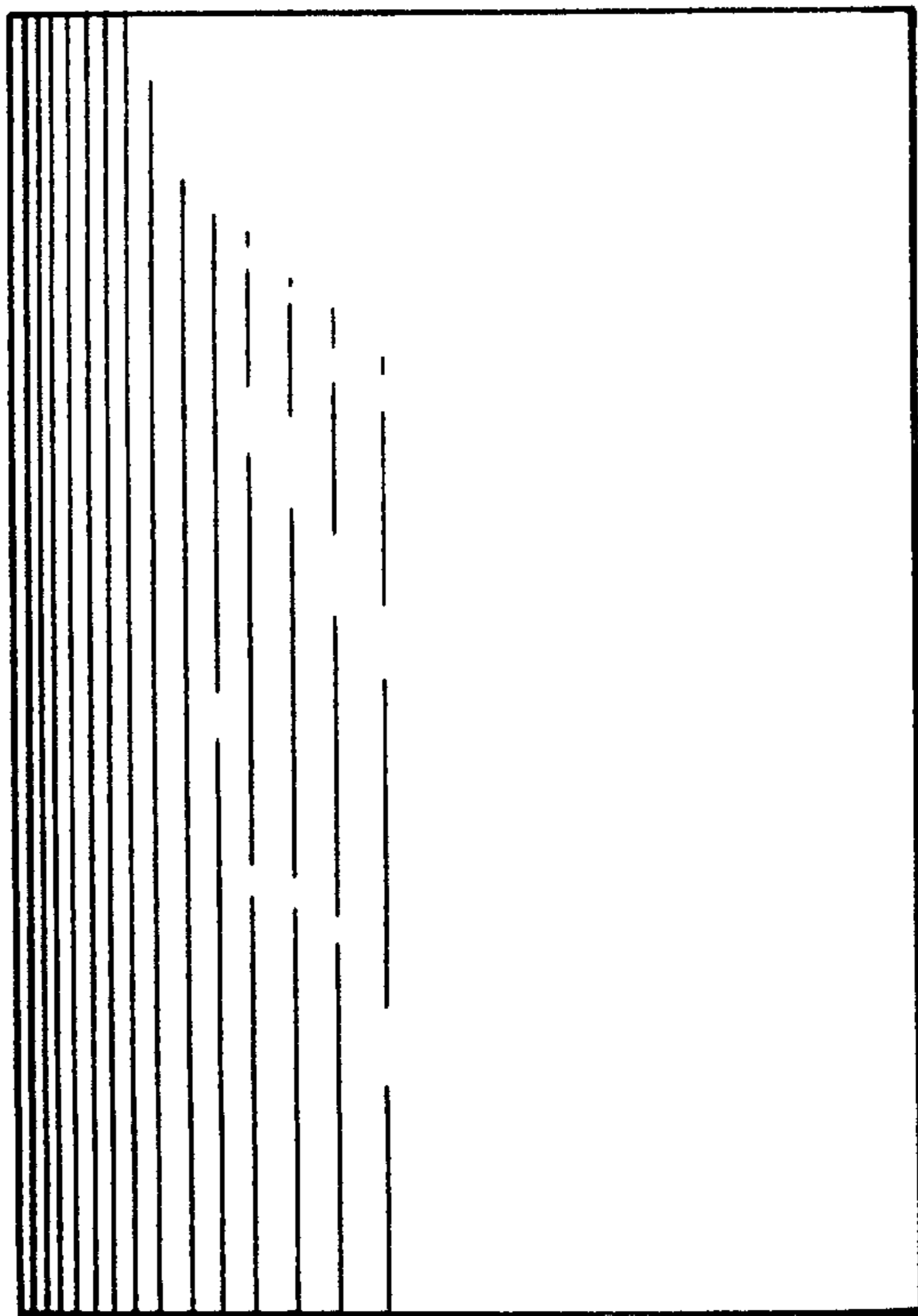


FIG. 3

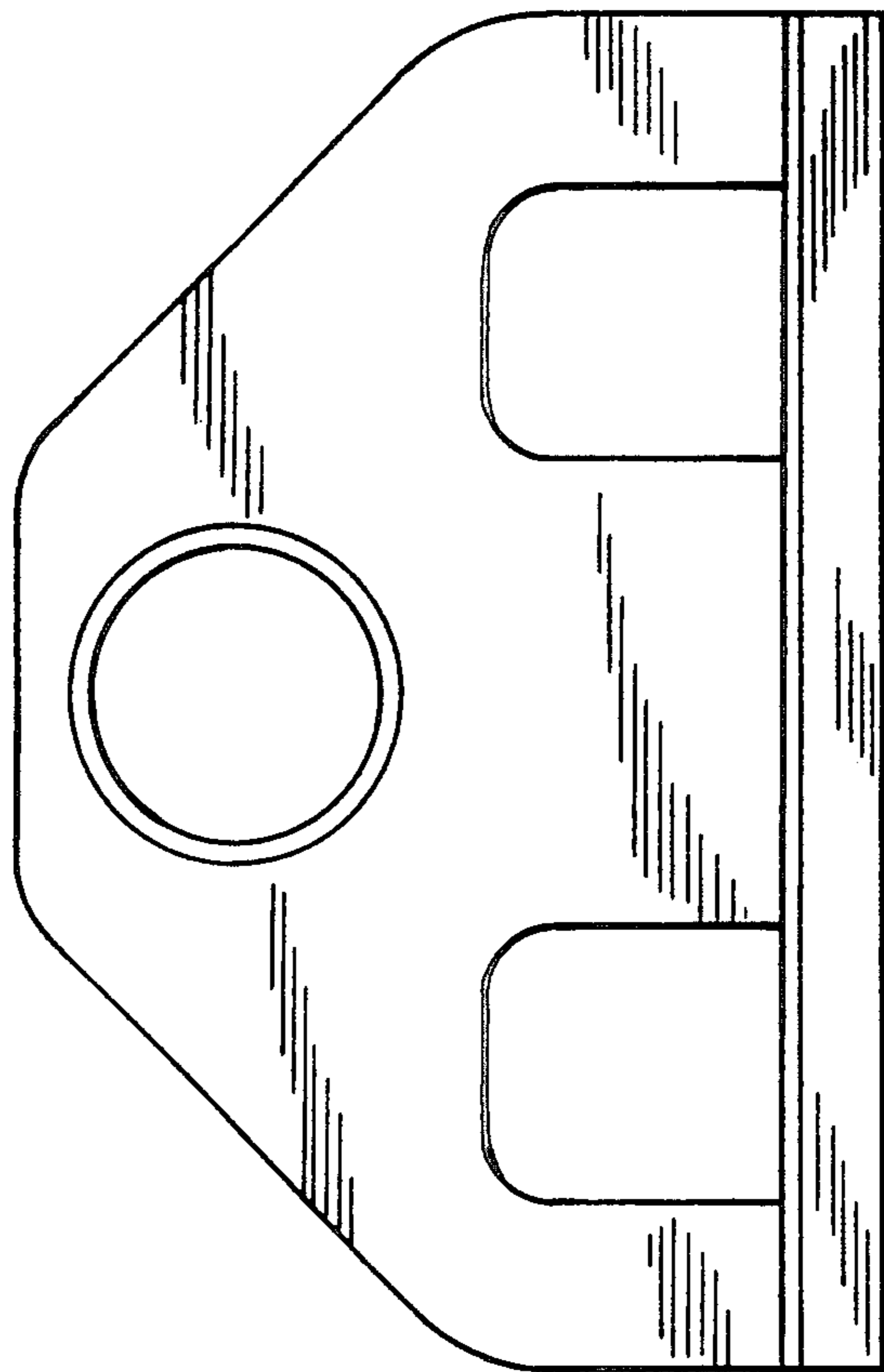


FIG. 4

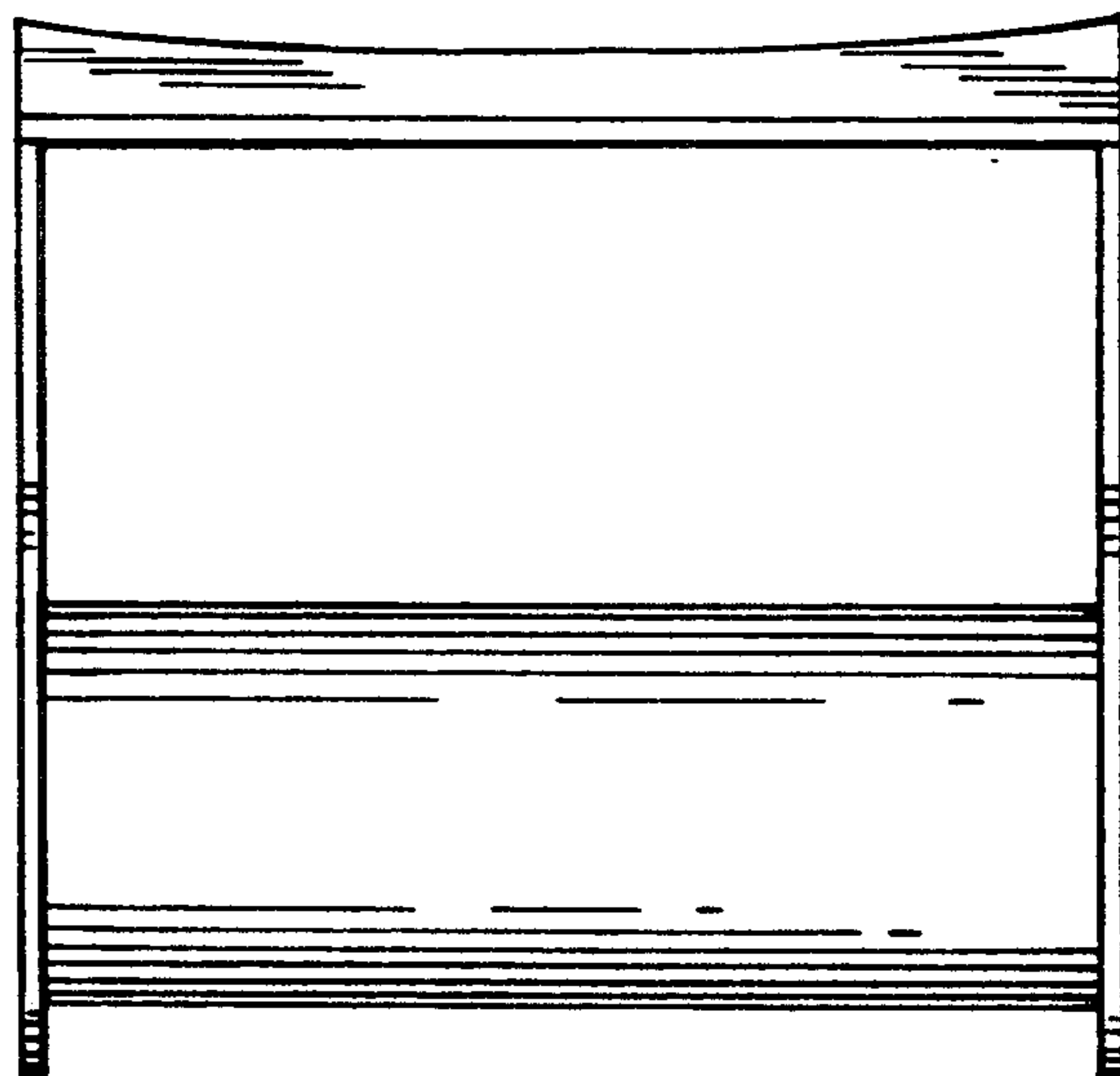


FIG. 5