



US00D330668S

United States Patent [19]

[11] Patent Number: Des. 330,668

Nagamatsu

[45] Date of Patent: ** Nov. 3, 1992

[54] WORK HOLDER FOR STRINGING BEADS
 [75] Inventor: Brian H. Nagamatsu, Glenville, N.Y.
 [73] Assignee: KUMAcO, Glenville, N.Y.
 [**] Term: 14 Years
 [21] Appl. No.: 402,439
 [22] Filed: Sep. 5, 1989
 [52] U.S. Cl. D8/71
 [58] Field of Search D15/66; D8/14, 71;
 D21/19; 28/172 R, 172 A, 211; 289/1.5, 17,
 18.1; 269/289 R, 291, 296, 315; 206/566;
 29/160.6

D. 310,672 9/1990 Harvey et al. D15/66
 2,263,916 11/1941 Boyle 289/17
 2,360,416 10/1944 Gray 289/18.1
 2,452,445 10/1948 Ericsson 269/296
 4,079,927 3/1978 Rocton 269/296
 4,408,753 10/1983 Chapman et al. 269/296
 4,790,575 12/1988 Tate 289/1.7
 4,815,772 3/1989 Lizarraga 289/1.5
 4,930,759 6/1990 Potter et al. 269/289 R

Primary Examiner—Bernard Ansher
 Assistant Examiner—Philip Hyder

[57] CLAIM

The ornamental design for a work holder for stringing beads, as shown.

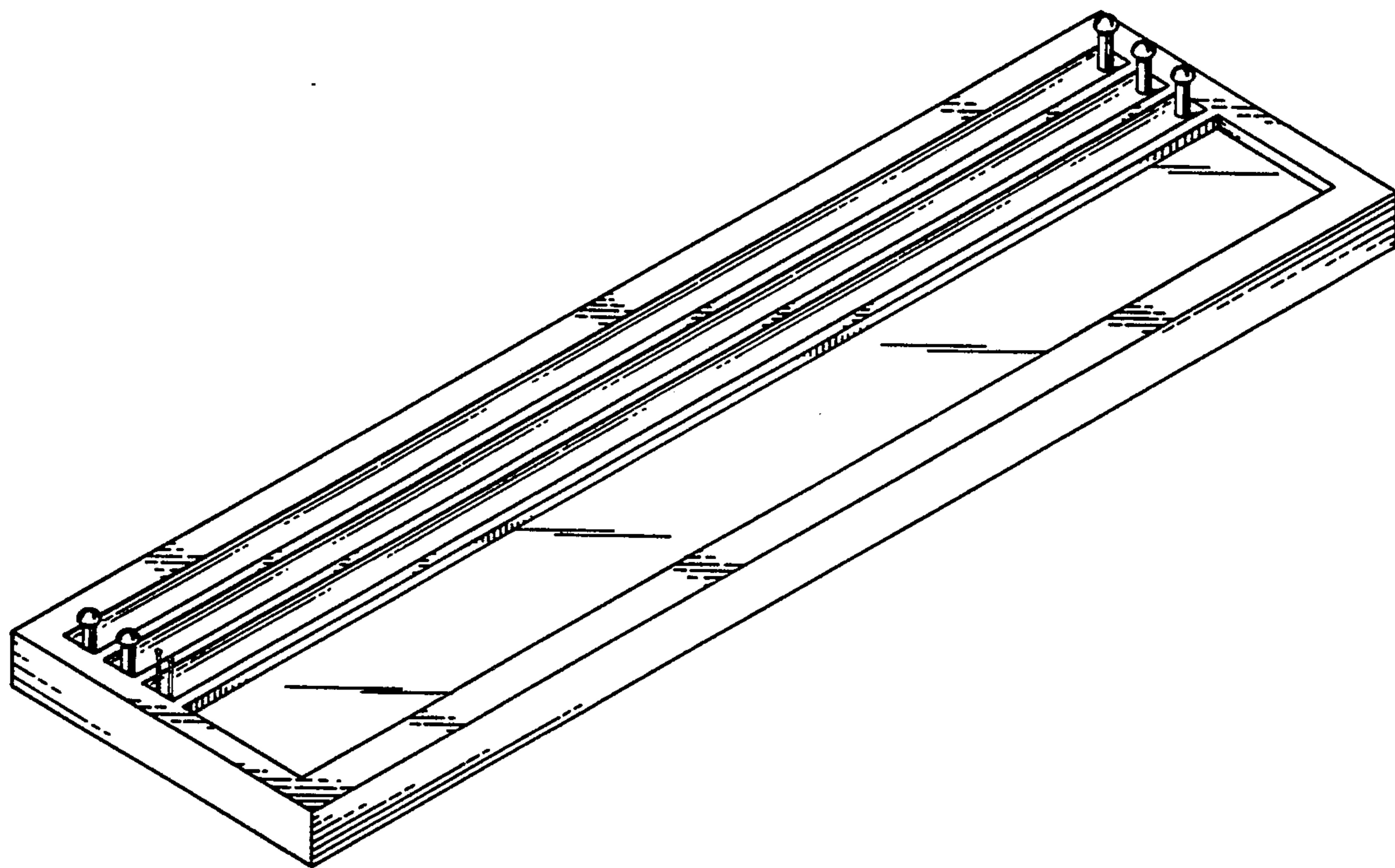
[56] References Cited

U.S. PATENT DOCUMENTS

D. 46,497 10/1914 Gulick D15/66
 D. 112,814 1/1939 Lovgren et al. D15/66
 D. 204,442 4/1966 Brawley, Jr. D15/66
 D. 256,545 8/1980 Legerius et al. D8/71
 D. 257,257 10/1980 McArthur D15/66

DESCRIPTION

FIG. 1 is a perspective view of a work holder for stringing beads, showing my new design;
 FIG. 2 is a top plan view thereof;
 FIG. 3 is a front elevational view thereof; and
 FIG. 4 is a right side elevational view thereof.



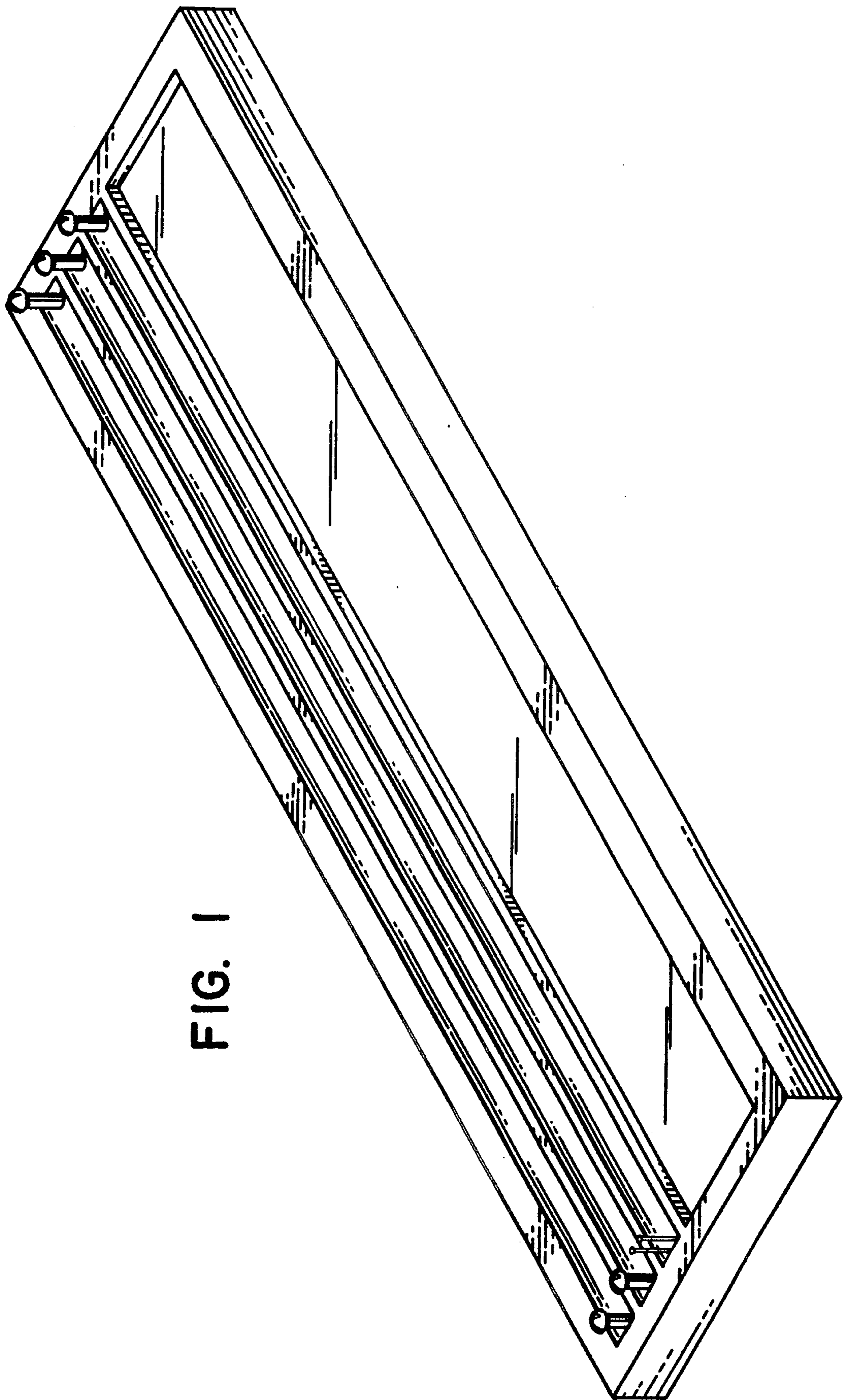


FIG. 1

FIG. 2

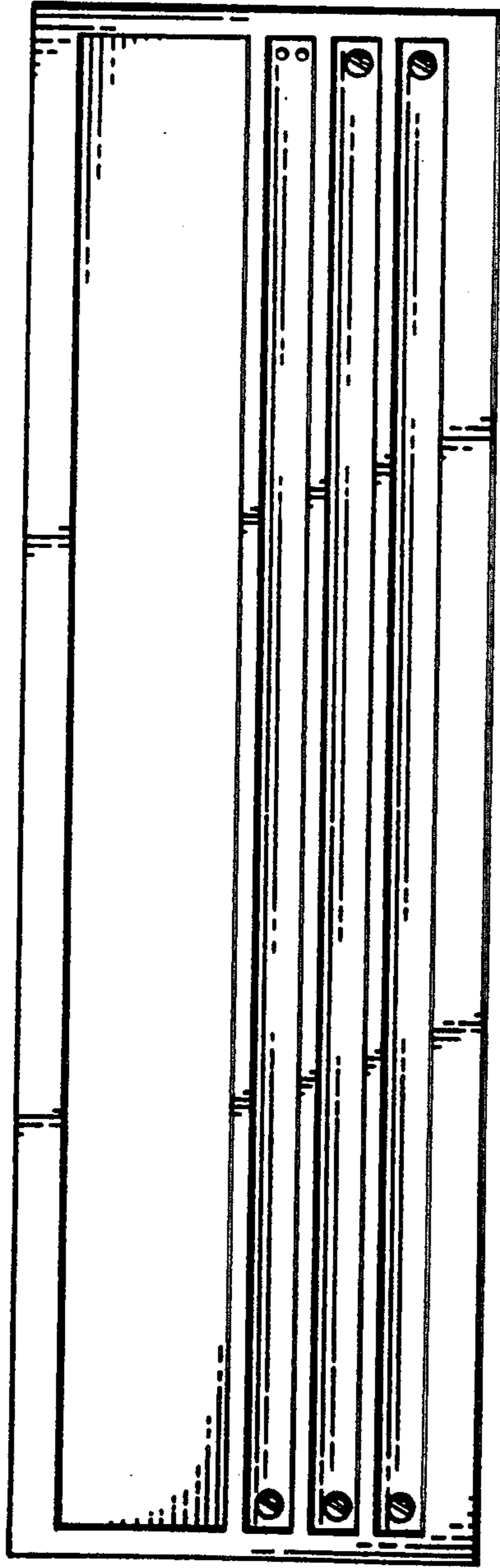


FIG. 3

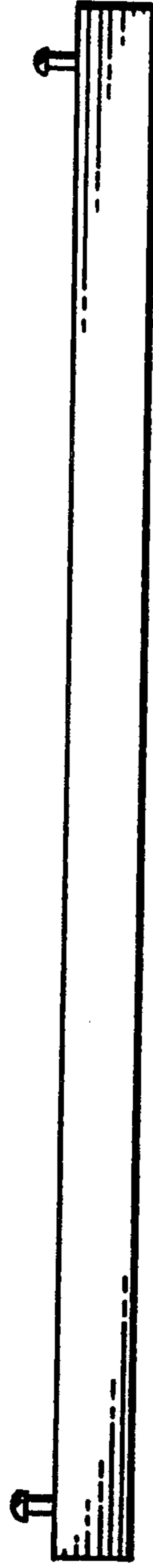


FIG. 4

