



US00D330663S

United States Patent [19]

[11] Patent Number: **Des. 330,663**

Copeland

[45] Date of Patent: **** Nov. 3, 1992**

[54] LUNCH BOX

[57] CLAIM

[76] Inventor: **Tommie Copeland**, 517 N. Spruce,
Colorado Springs, Colo. 80905

The ornamental design for a lunch box, as shown and described.

[**] Term: **14 Years**

DESCRIPTION

[21] Appl. No.: **461,455**

FIG. 1 is a front, right side perspective view of a lunch box showing my new design;

[22] Filed: **Jan. 5, 1990**

FIG. 2 is a front, right side perspective view thereof in an open position, the fruit and box shown in broken lines for illustrative purposes only;

[52] U.S. Cl. **D7/627; D21/78**

FIG. 3 is a right side view elevational thereof;

[58] Field of Search **D7/626-628;**
D21/76, 78, 79; 206/223, 541; 446/76, 428, 465,
466, 470

FIG. 4 is a left side view elevational thereof;

FIG. 5 is a top plan view thereof;

FIG. 6 is a rear elevational view thereof;

FIG. 7 is a front elevational view thereof;

FIG. 8 is a front elevational view thereof, in an open position;

[56] **References Cited**

U.S. PATENT DOCUMENTS

- D. 228,398 9/1973 Campenell D21/78
- 4,547,173 10/1985 Jaworski et al. 446/465 X
- 4,804,133 2/1989 Kiyokane 446/76 X

FIG. 9 is a rear elevational view thereof;

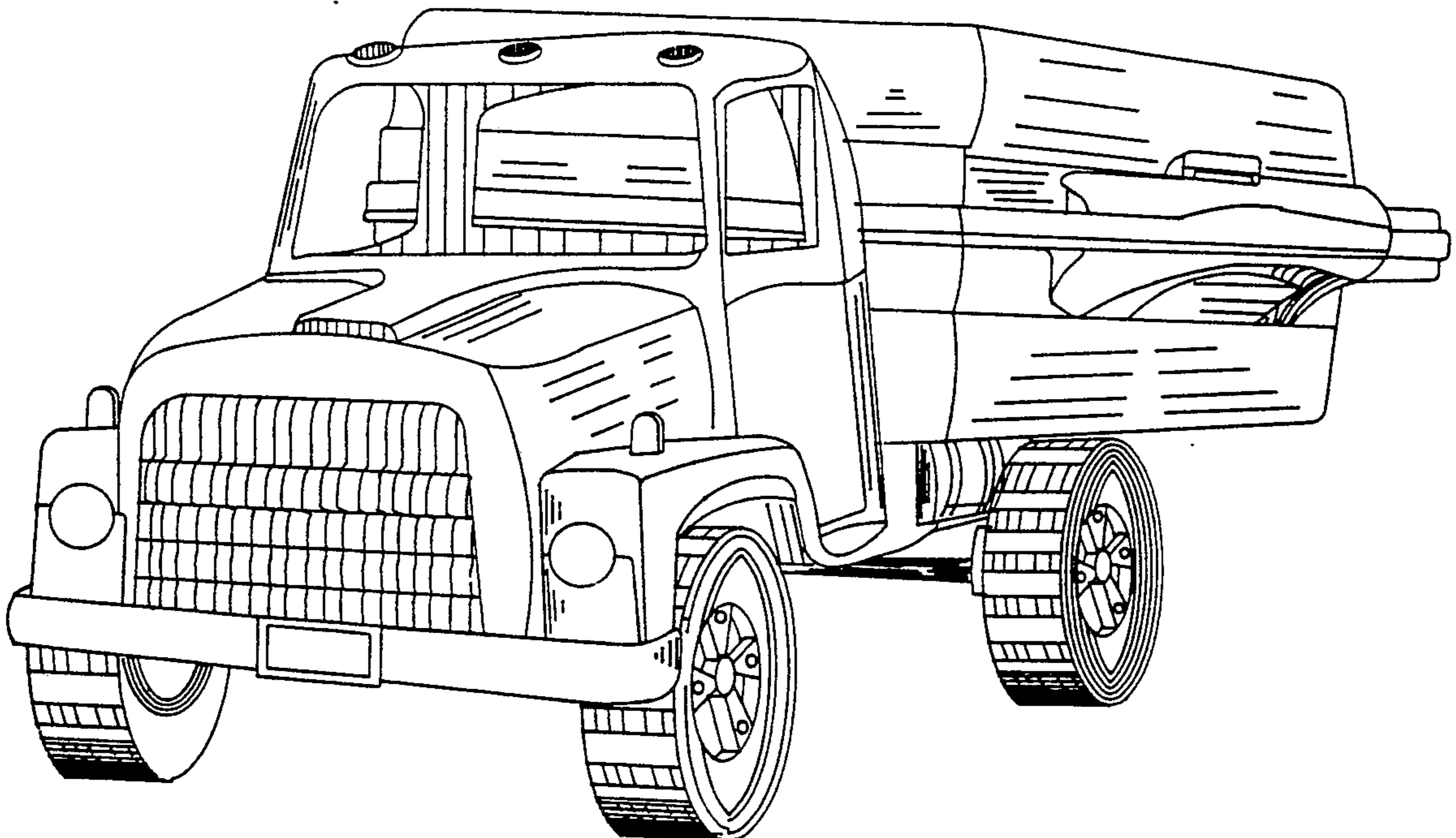
FIG. 10 is a right side elevational view thereof in an open position;

FIG. 11 is a left side elevational view thereof in an open position; and,

FIG. 12 is a top plan view thereof in an open position.

Primary Examiner—Terry A. Pfeffer
Attorney, Agent, or Firm—Linda Flewellen Gould

The undisclosed bottom view is unornamented.



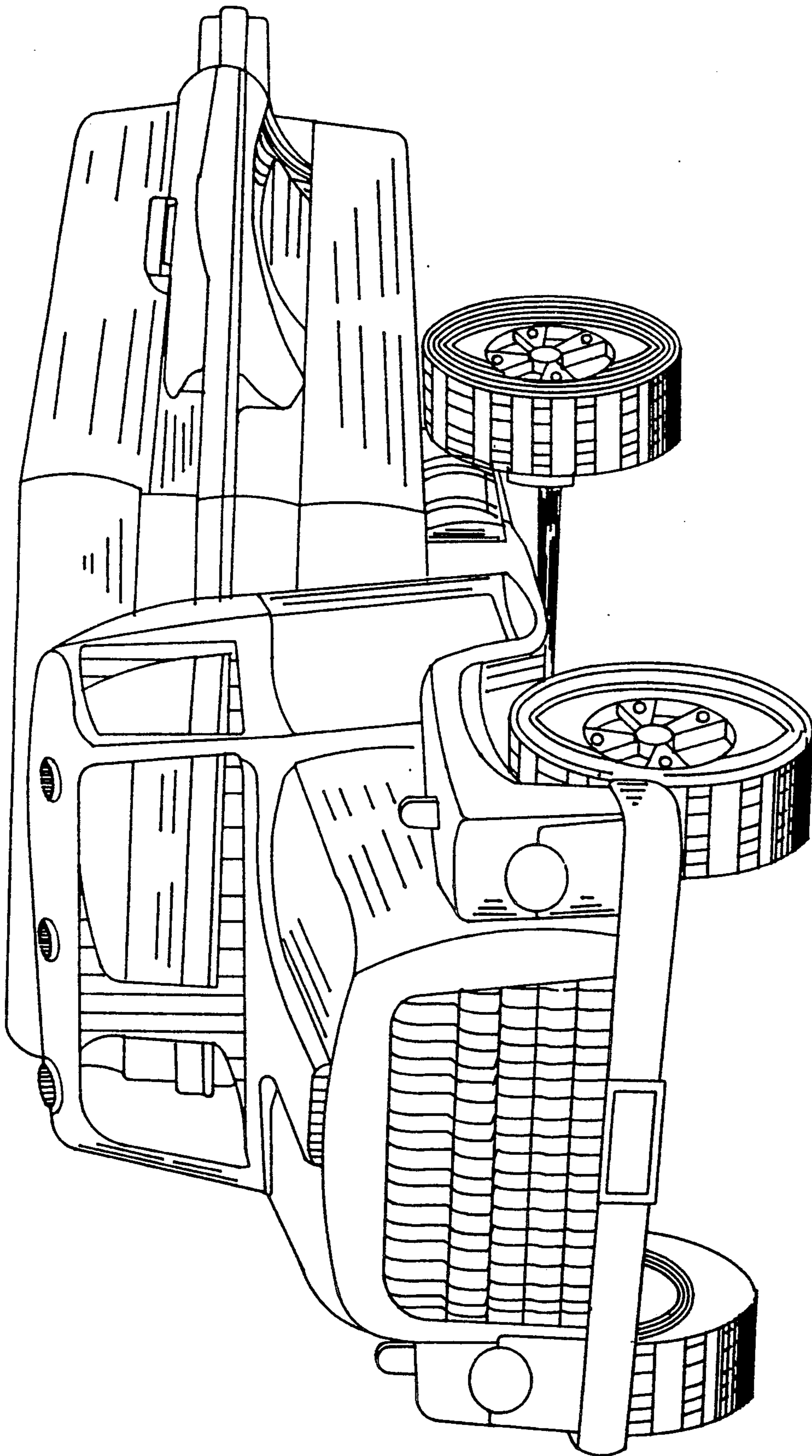


FIGURE 1

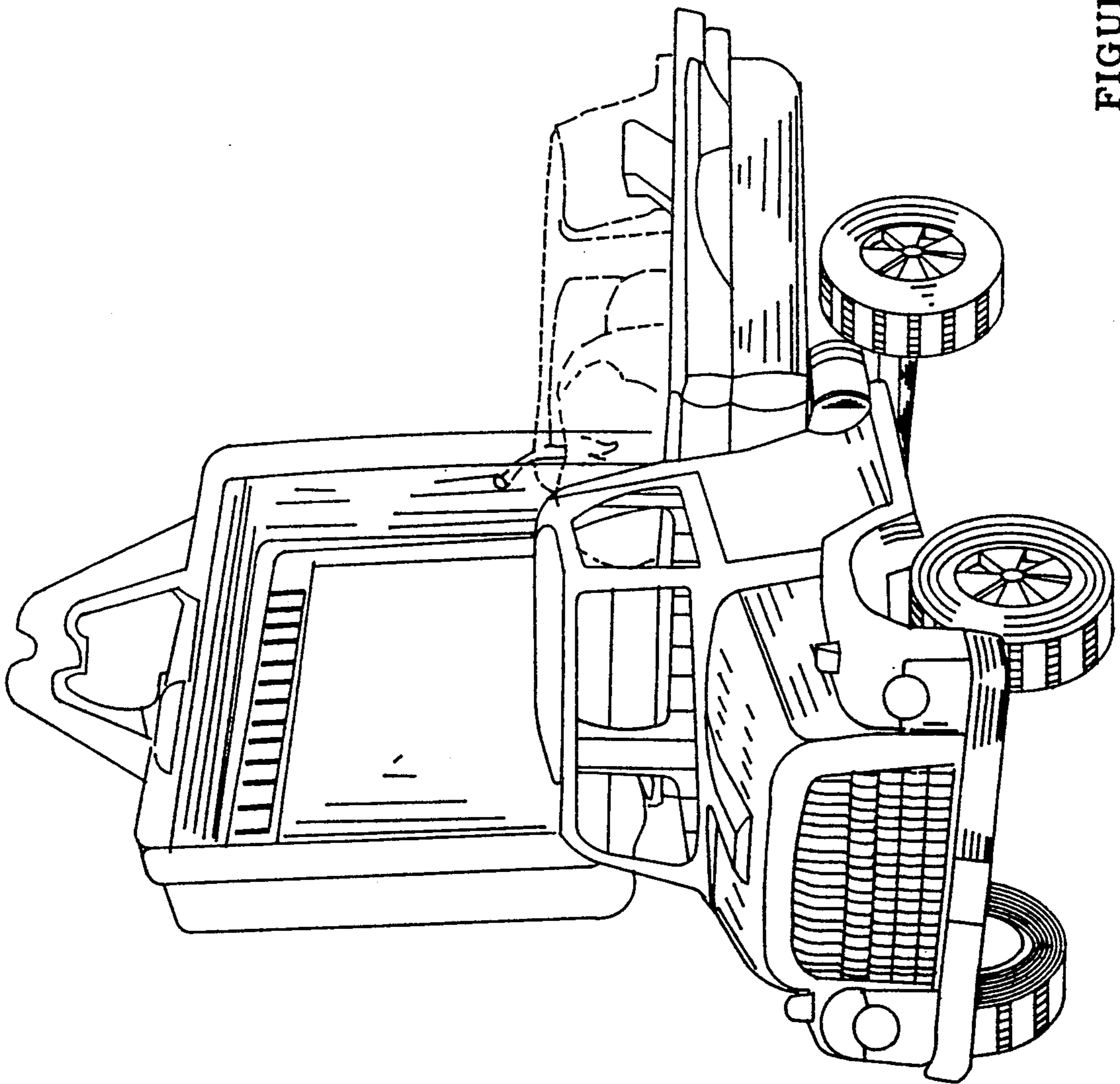


FIGURE 2

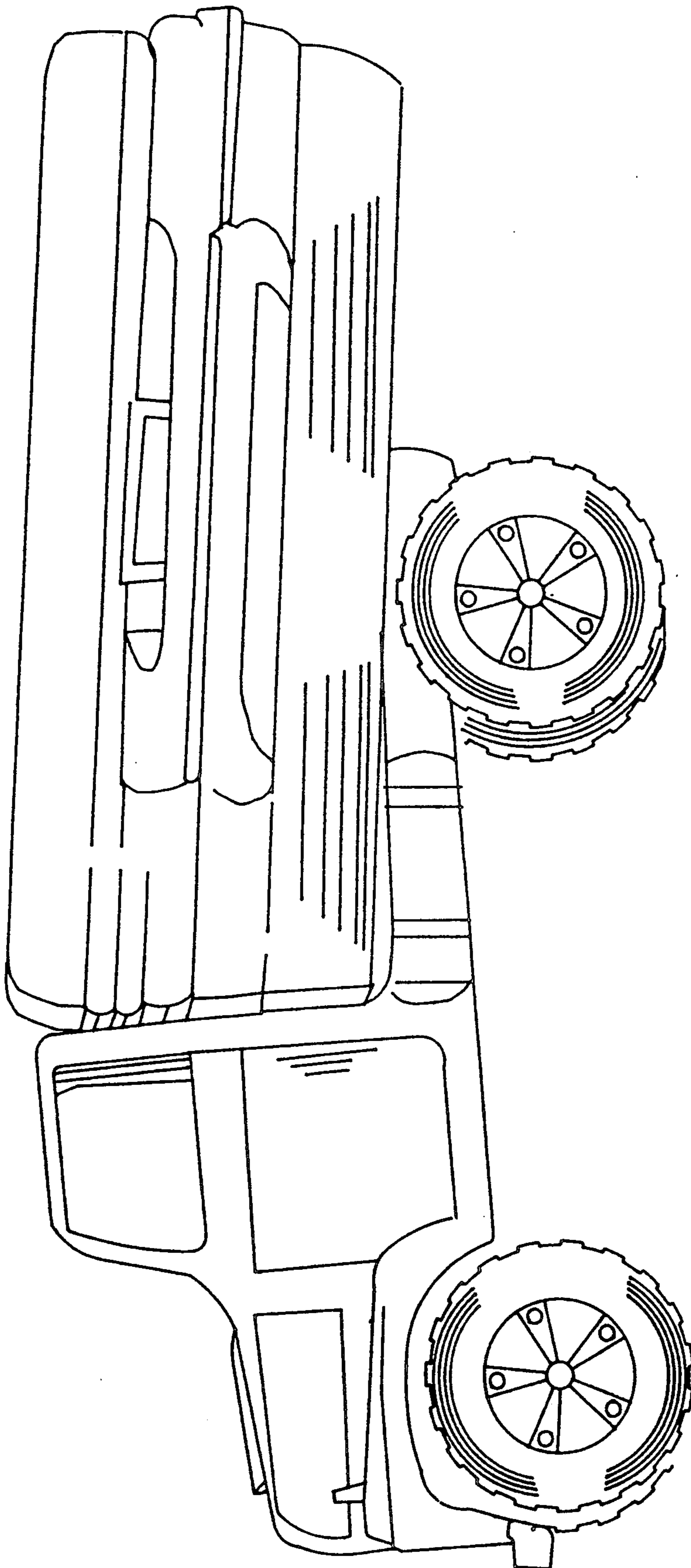


FIGURE 3

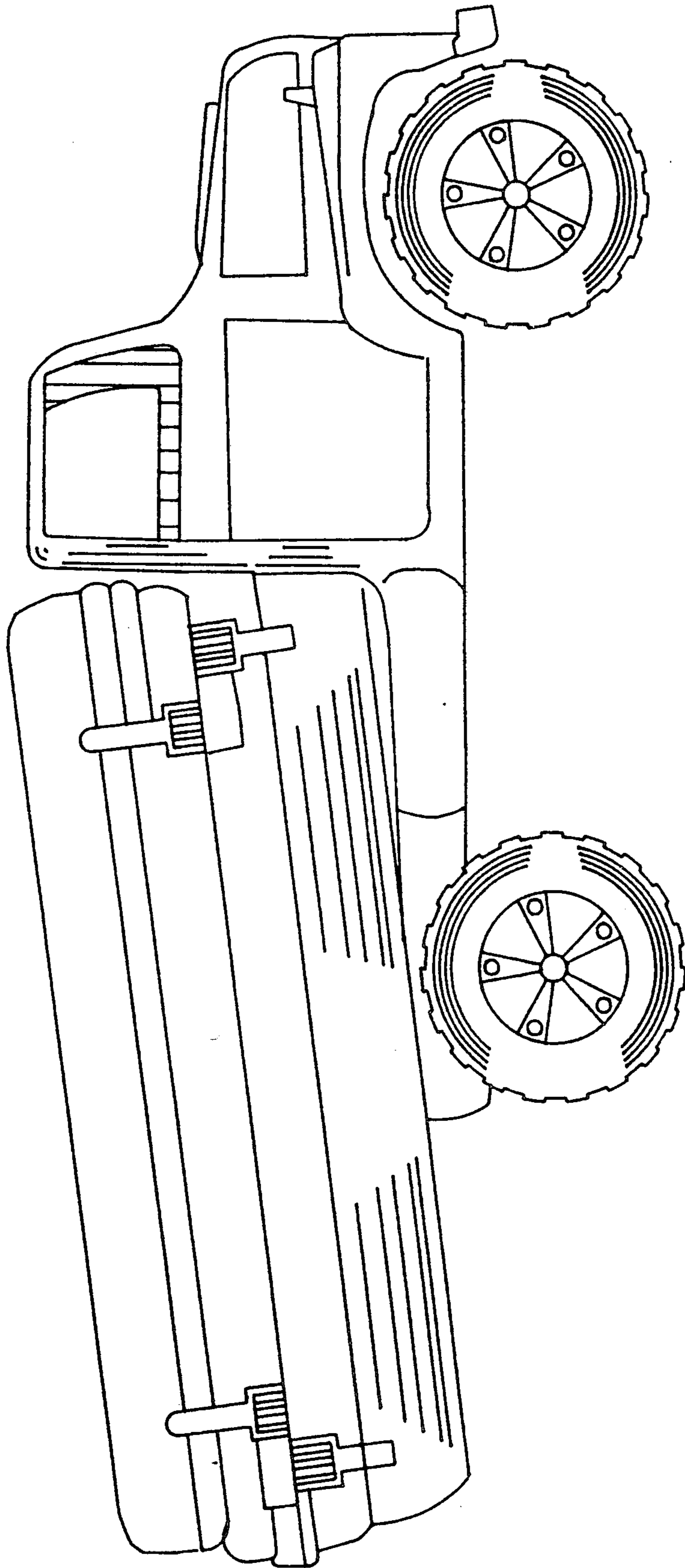


FIGURE 4

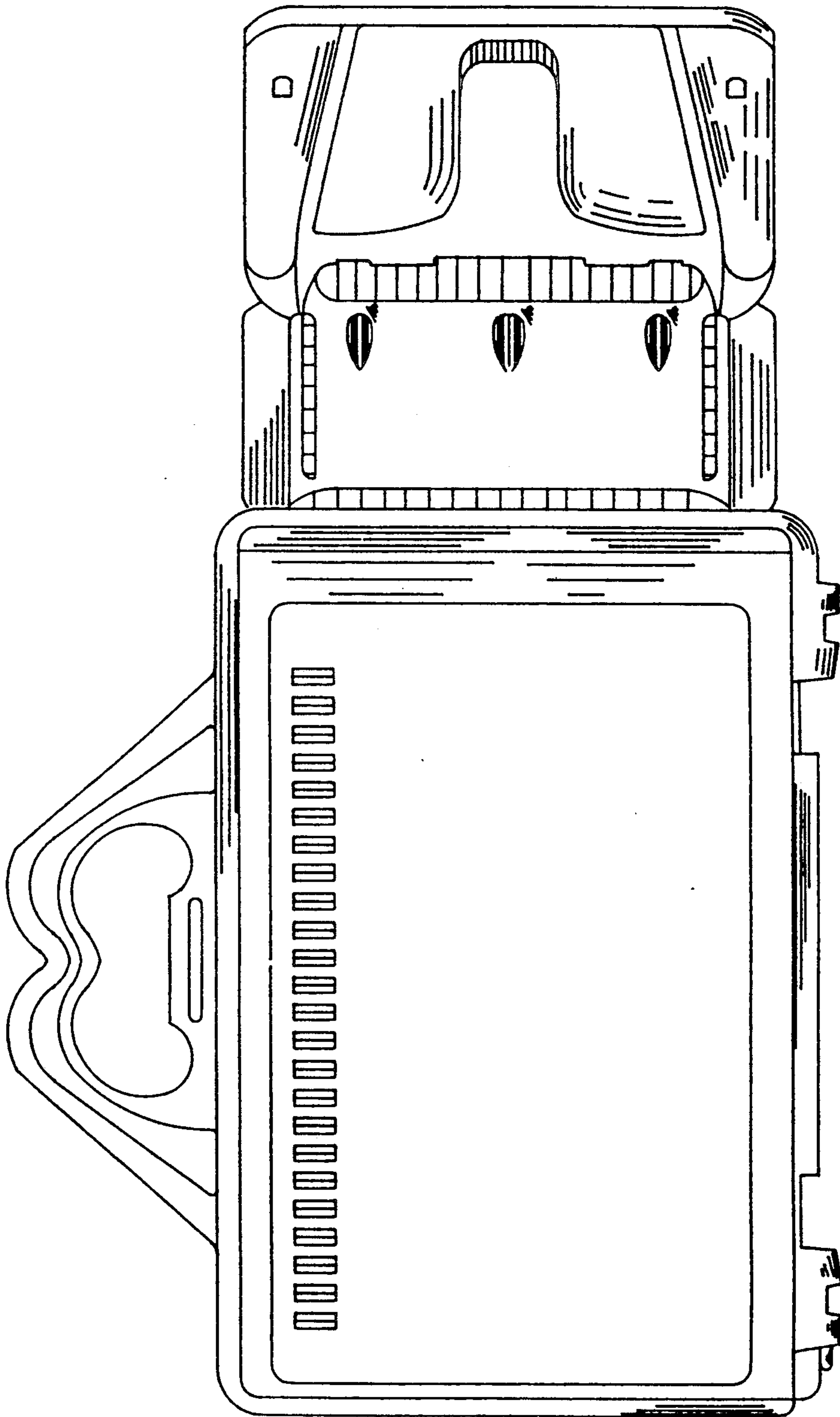


FIGURE 5

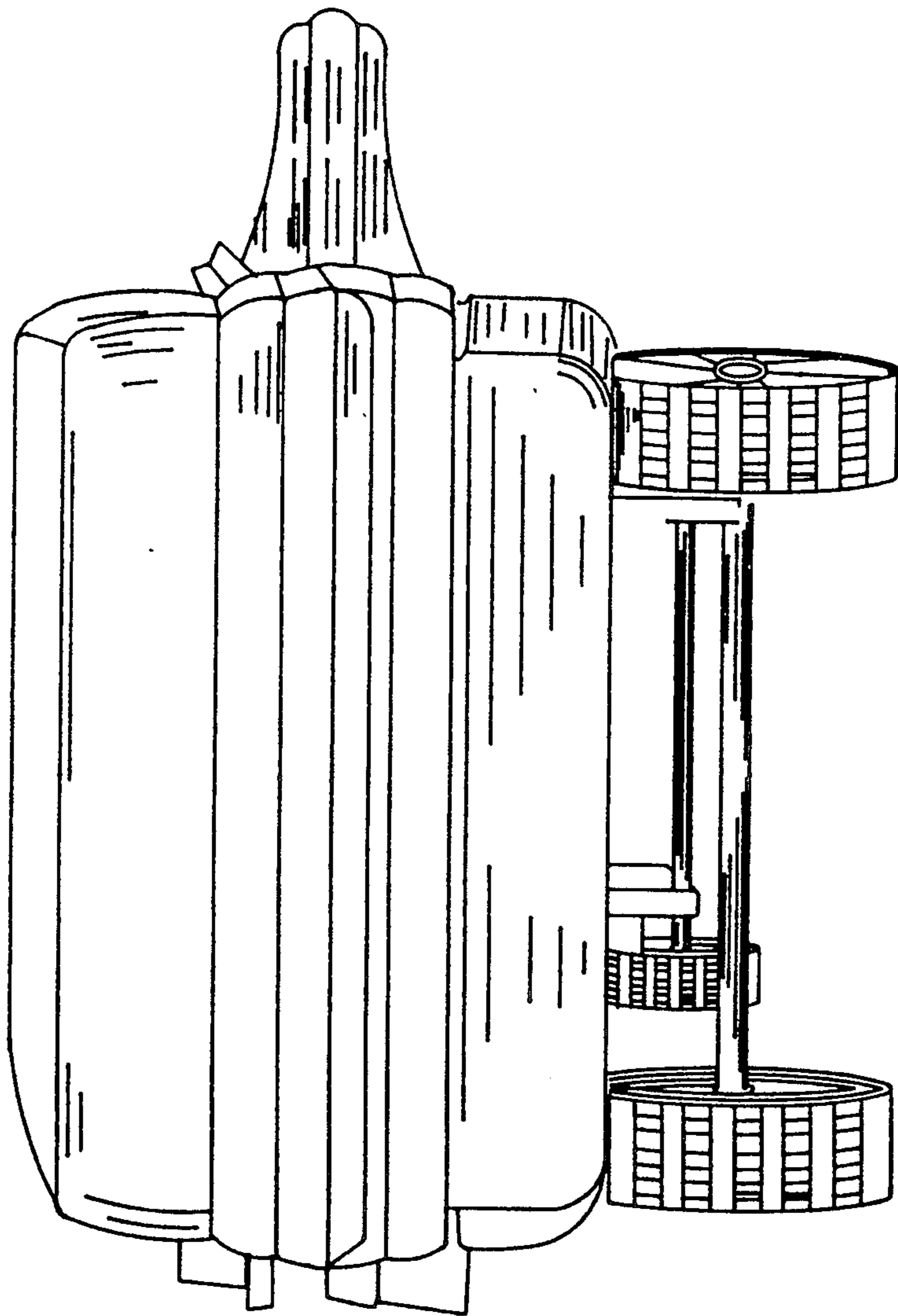


FIGURE 6

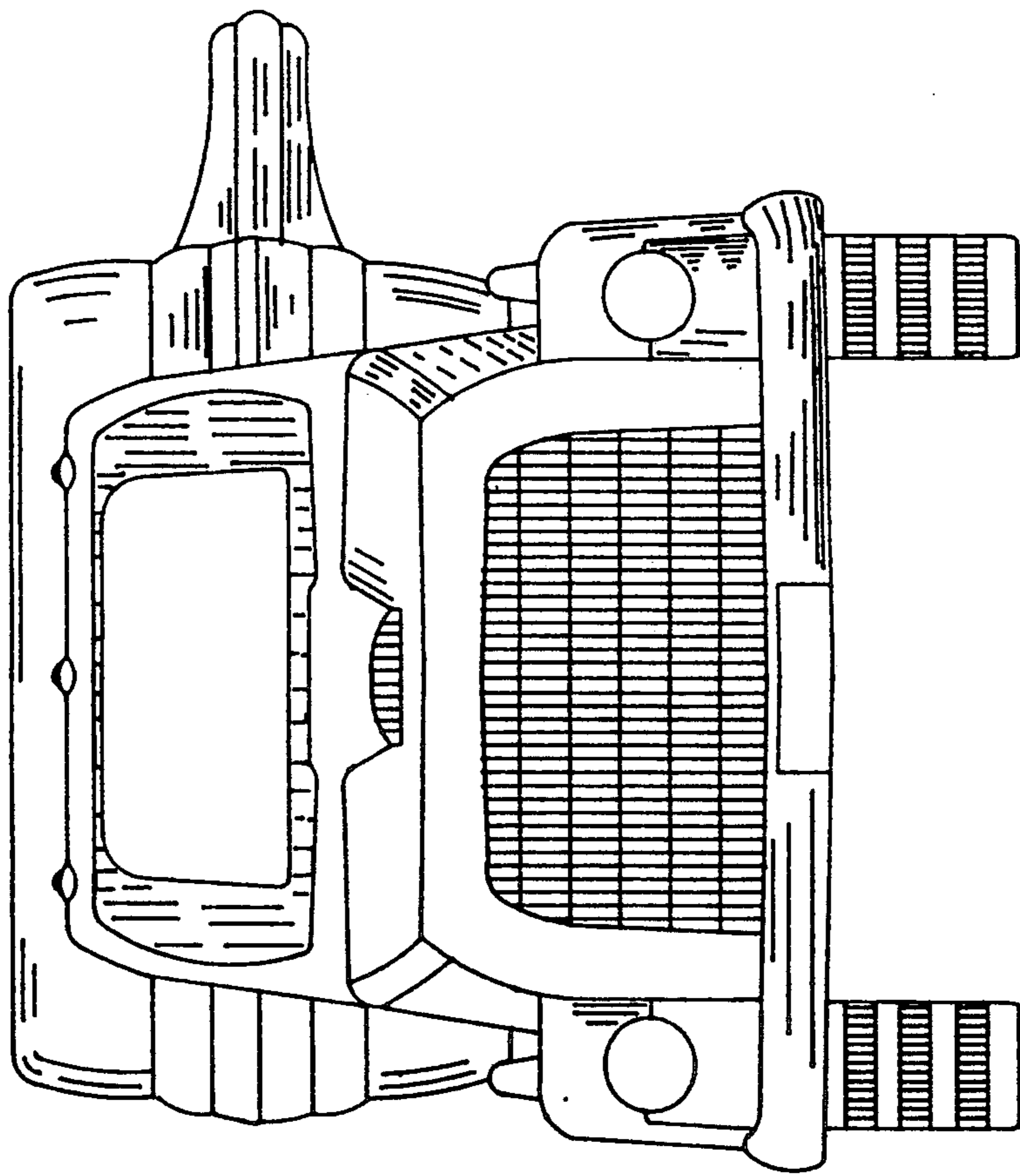


FIGURE 7

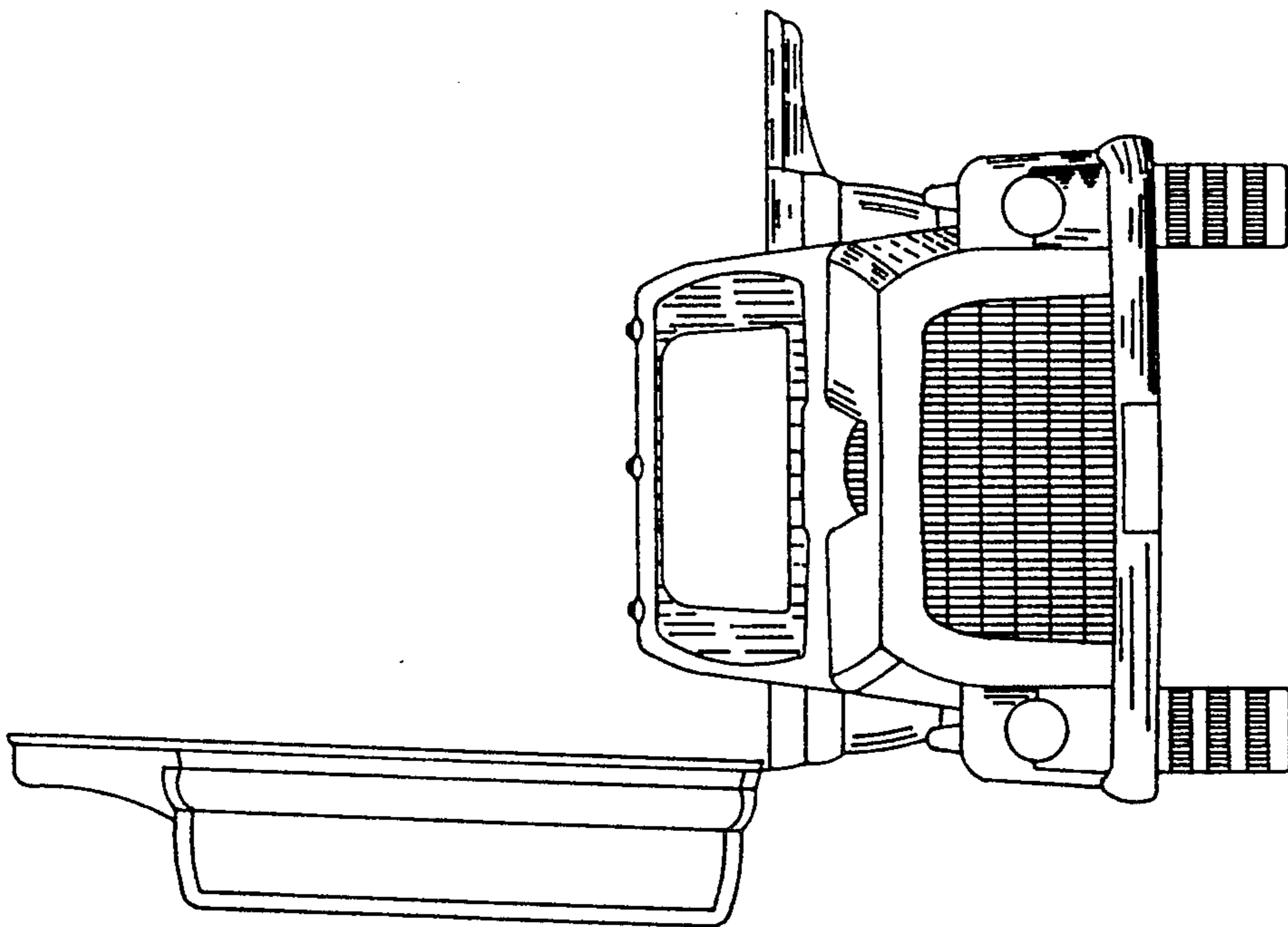


FIGURE 8

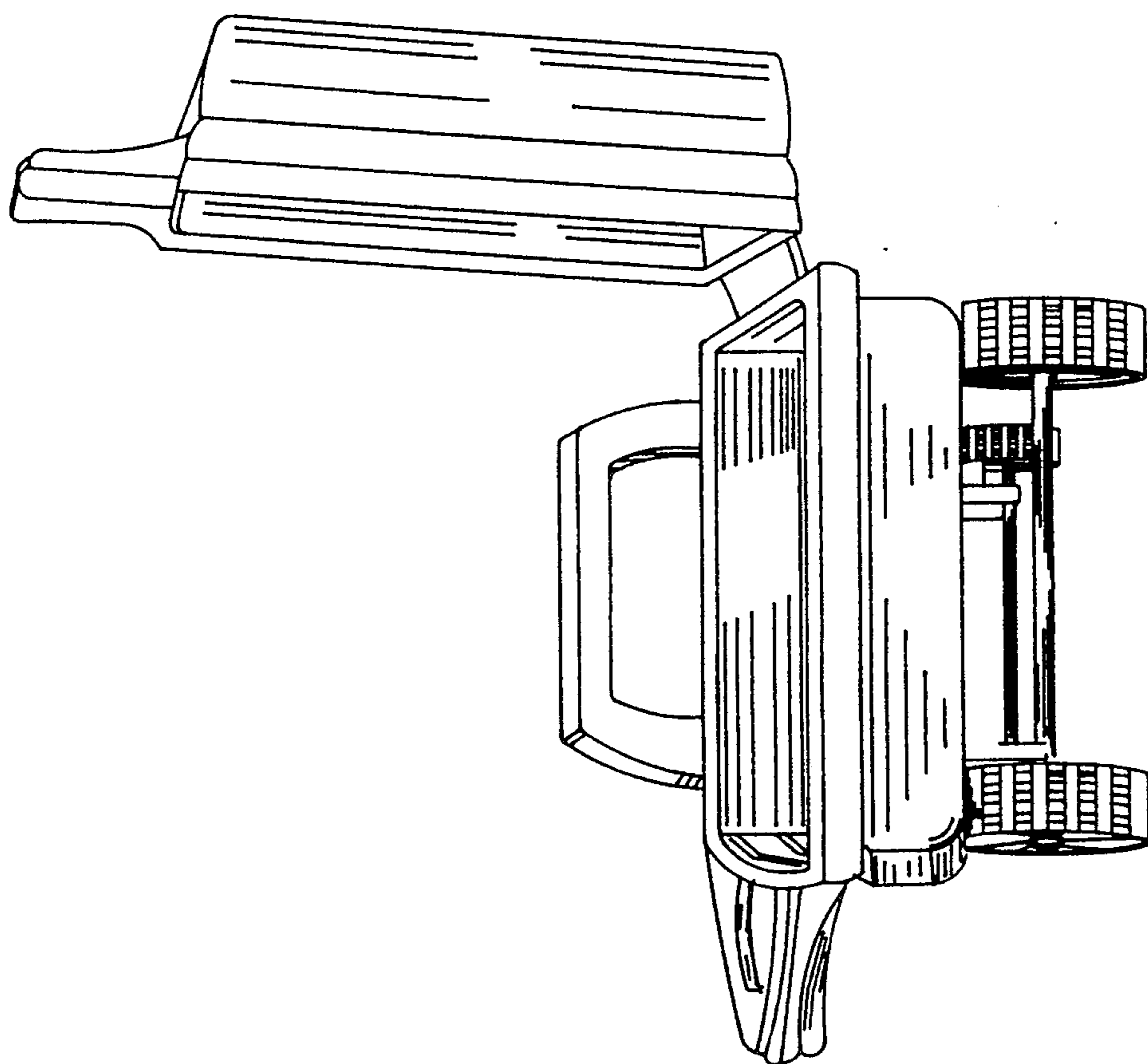


FIGURE 9

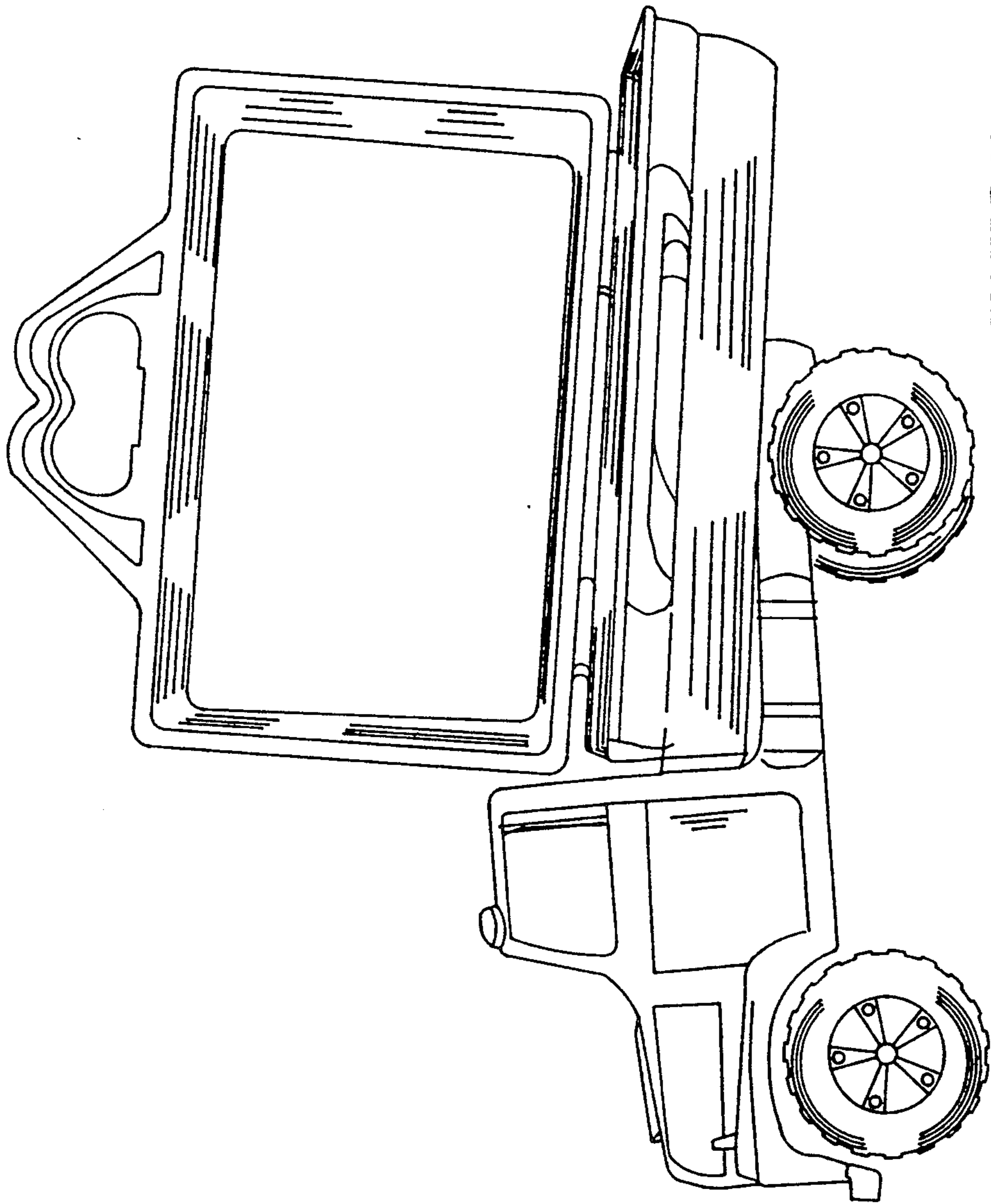


FIGURE 10

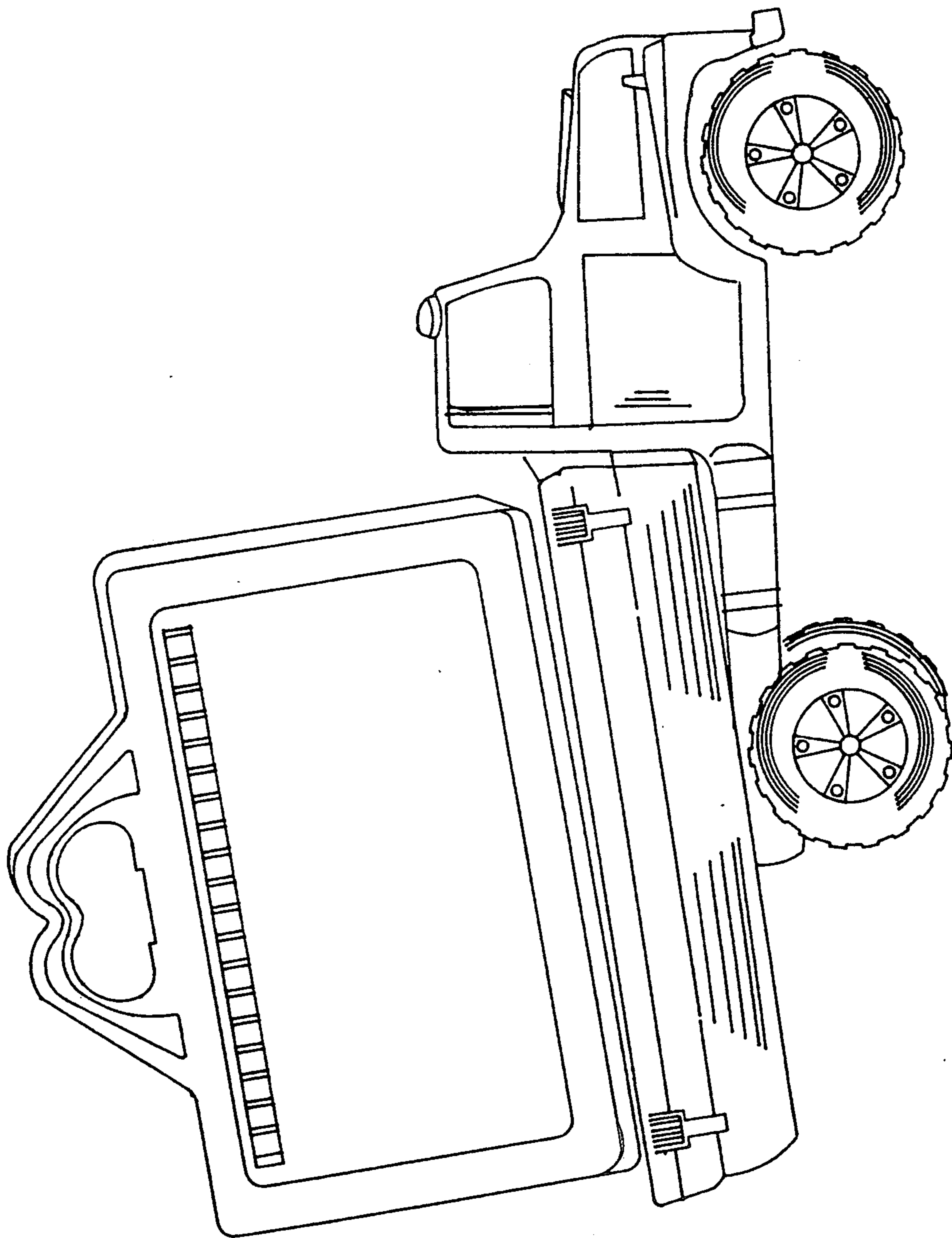


FIGURE 11

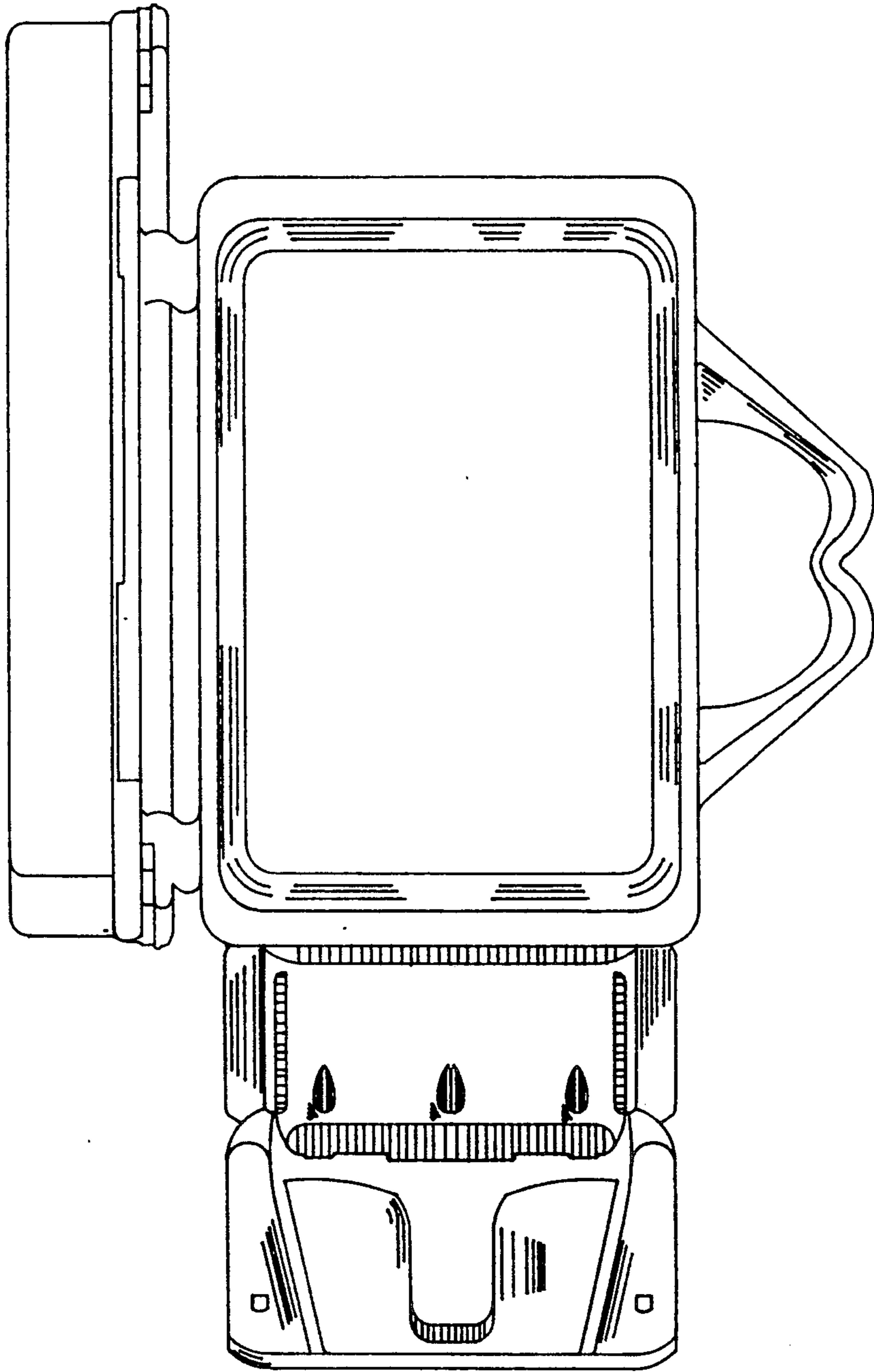


FIGURE 12