



US00D330651S

United States Patent [19]
Battaglia

[11] **Patent Number: Des. 330,651**

[45] **Date of Patent: ** Nov. 3, 1992**

[54] **SERVING CART**

[76] **Inventor: Gino Battaglia, 25022 S. Vermont Ave., Harbor City, Calif. 90710-0323**

[**] **Term: 14 Years**

[21] **Appl. No.: 479,581**

[22] **Filed: Feb. 13, 1990**

[52] **U.S. Cl. D6/479; D6/484; D34/21**

[58] **Field of Search D6/455, 449, 460, 461, D6/464, 465, 474, 473, 477-479, 475, 476, 484; D34/17, 21; 108/59, 106, 107; 211/13, 126, 133**

[56] **References Cited**

U.S. PATENT DOCUMENTS

D. 142,171	8/1945	Lion	D34/21
D. 153,553	4/1949	Raber	D34/21
D. 168,601	1/1953	Swanson	D6/477
D. 206,810	1/1967	Katzman	D6/473
D. 240,363	6/1976	Weigel	D6/477 X
D. 250,325	11/1978	Blatzer et al.	D34/21
D. 275,044	8/1984	Hampshire et al.	D6/476 X
D. 282,420	2/1986	Melland	D6/484 X
D. 301,652	6/1989	Roberts	D6/479 X
4,822,661	4/1989	Battaglia	428/116

OTHER PUBLICATIONS

Lakeside Utility Carts, p. 2.

Primary Examiner—Donald P. Walsh

Assistant Examiner—Jeffrey Asch

Attorney, Agent, or Firm—Charles H. Thomas

[57] **CLAIM**

The ornamental design for a serving cart, as shown and described.

DESCRIPTION

FIG. 1 is a perspective view of a serving cart showing my new design;

FIG. 2 is a top plan view thereof;

FIG. 3 is a bottom plan view thereof;

FIG. 4 is a right side elevational view thereof;

FIG. 5 is a left side elevational view thereof;

FIG. 6 is a front elevational view thereof;

FIG. 7 is a rear elevational view thereof;

FIG. 8 is a perspective view of a second embodiment of the serving cart of FIG. 1;

FIG. 9 is a top plan view thereof;

FIG. 10 is a bottom plan view thereof;

FIG. 11 is a right side elevational view thereof;

FIG. 12 is a left side elevational view thereof;

FIG. 13 is a front elevational view thereof;

FIG. 14 is a rear elevational view thereof;

FIG. 15 is a perspective view of a third embodiment of the serving cart of FIG. 1;

FIG. 16 is a top plan view thereof;

FIG. 17 is a bottom plan view thereof;

FIG. 18 is a right side elevational view thereof;

FIG. 19 is a left side elevational view thereof;

FIG. 20 is a front elevational view thereof; and,

FIG. 21 is a rear elevational view thereof.

The vertically spaced horizontal support surfaces throughout the views have been shaded to indicate stone.

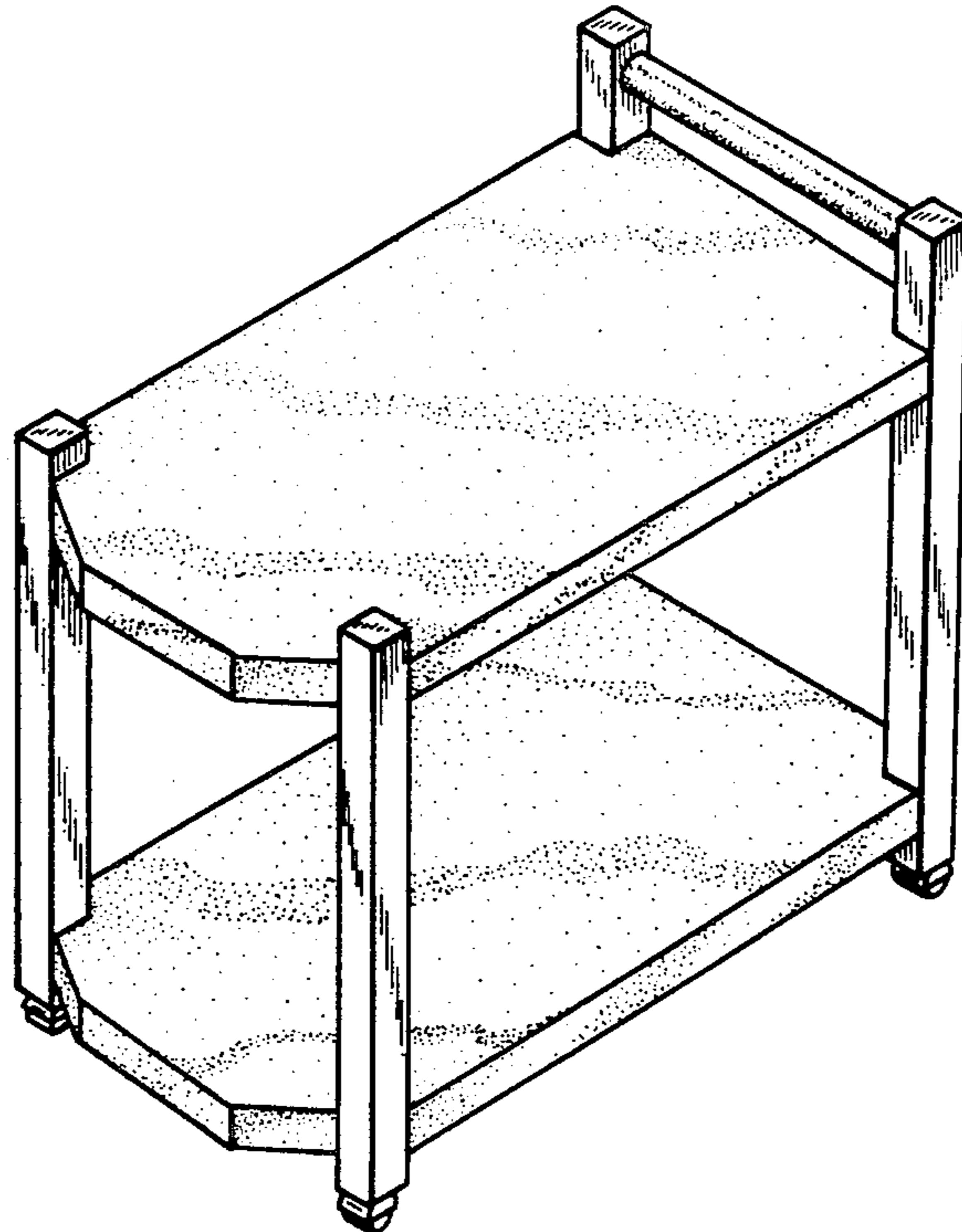


FIG-2

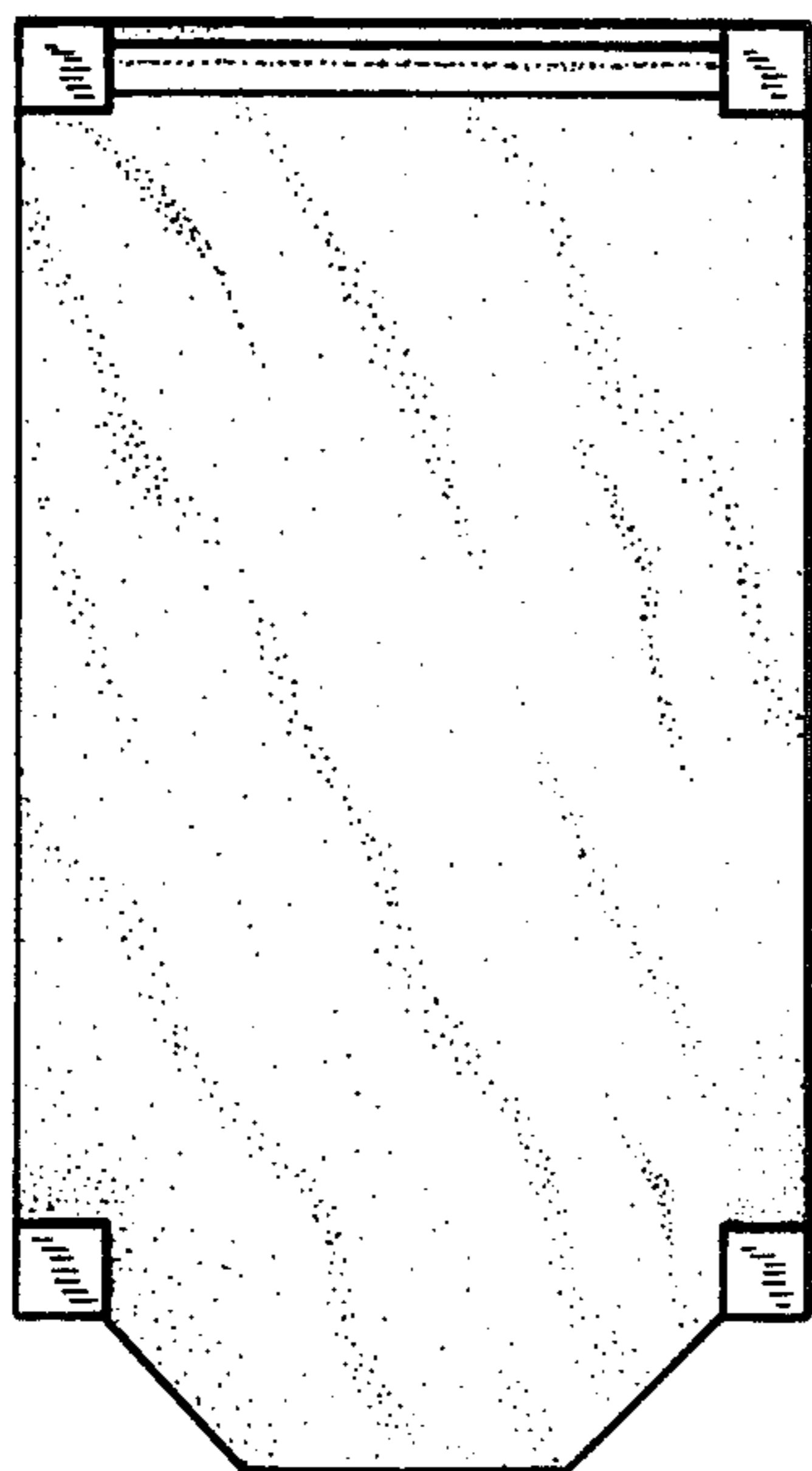


FIG-4

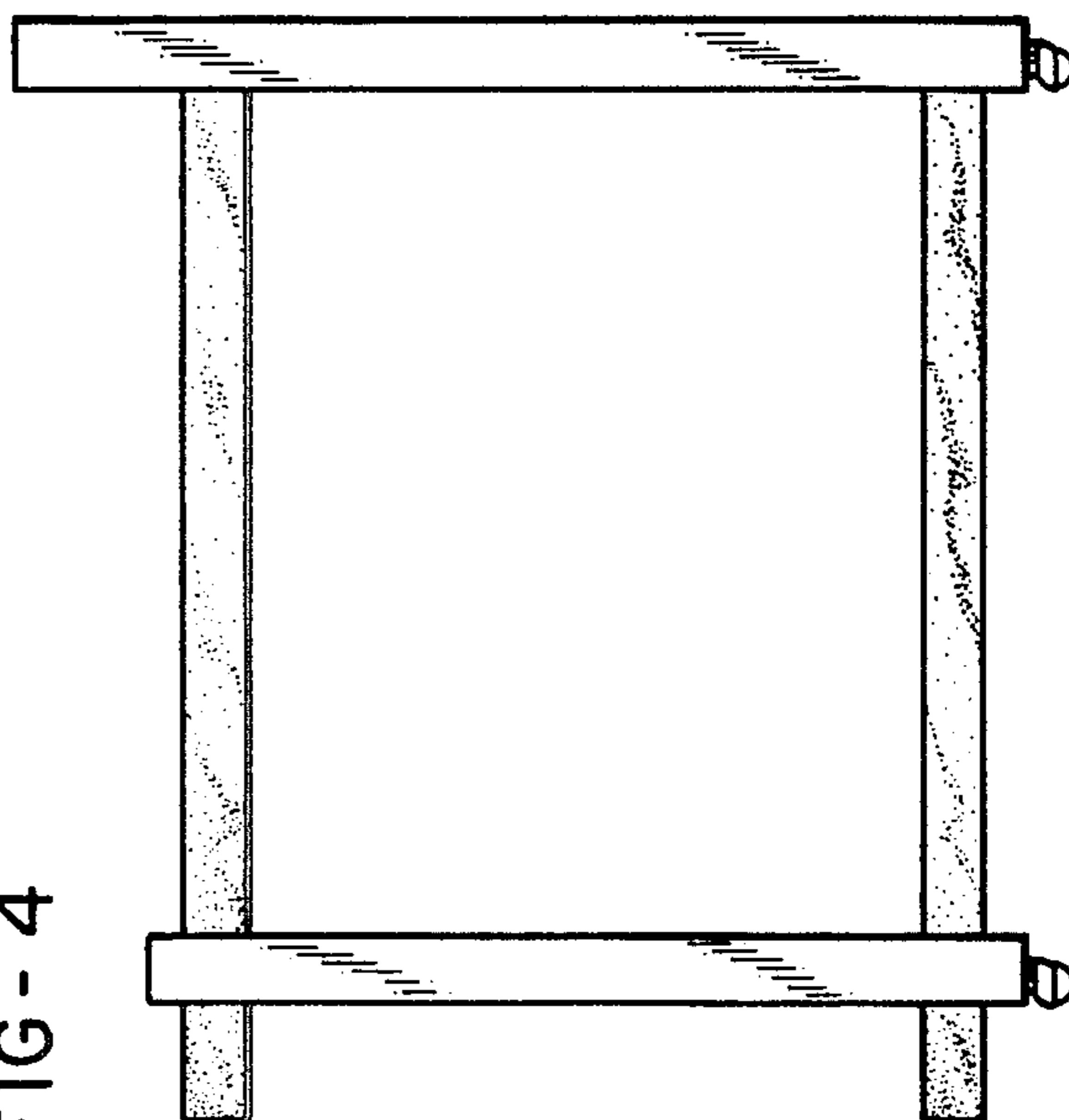


FIG-1

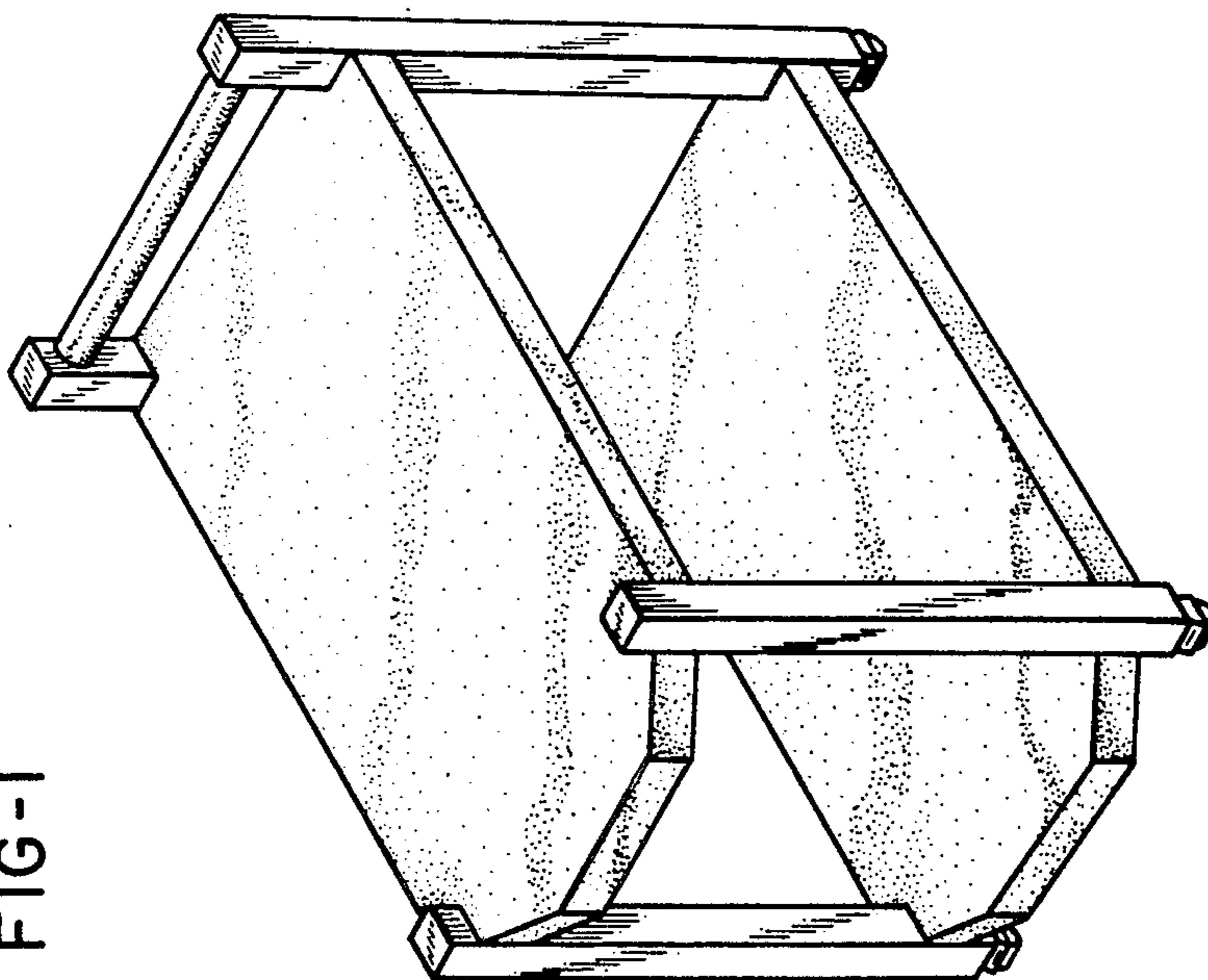


FIG-3

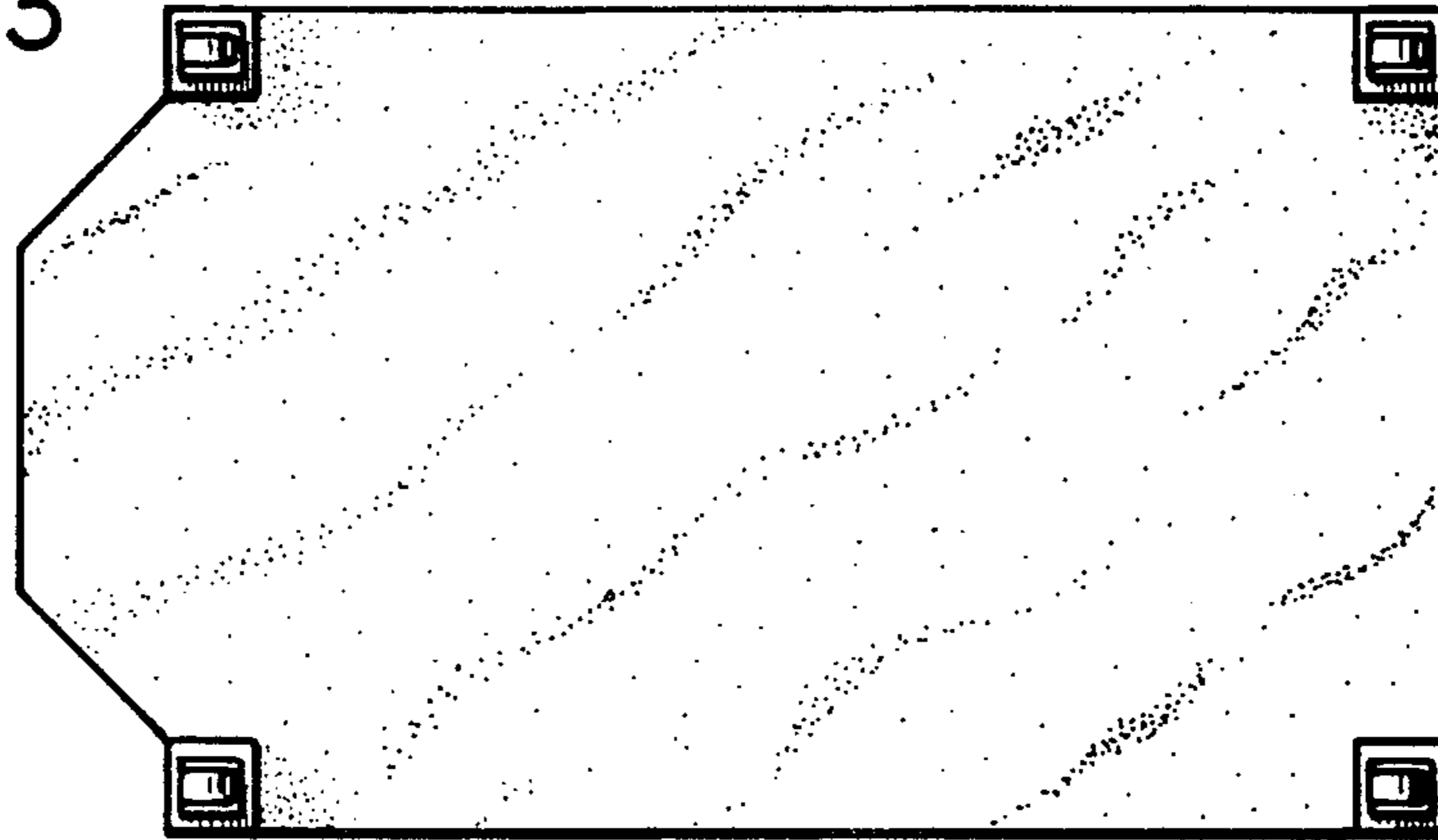


FIG-10

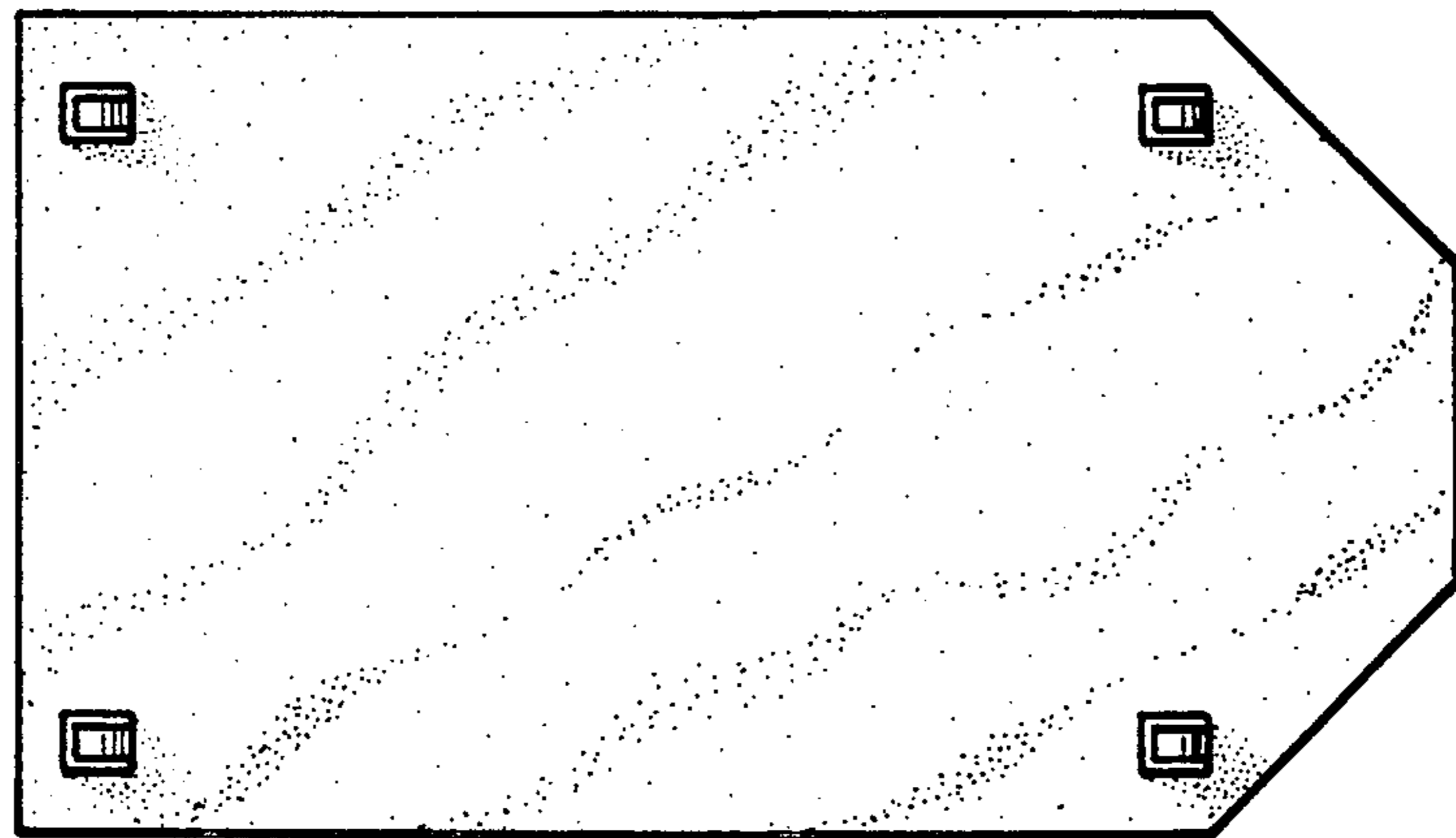


FIG-17

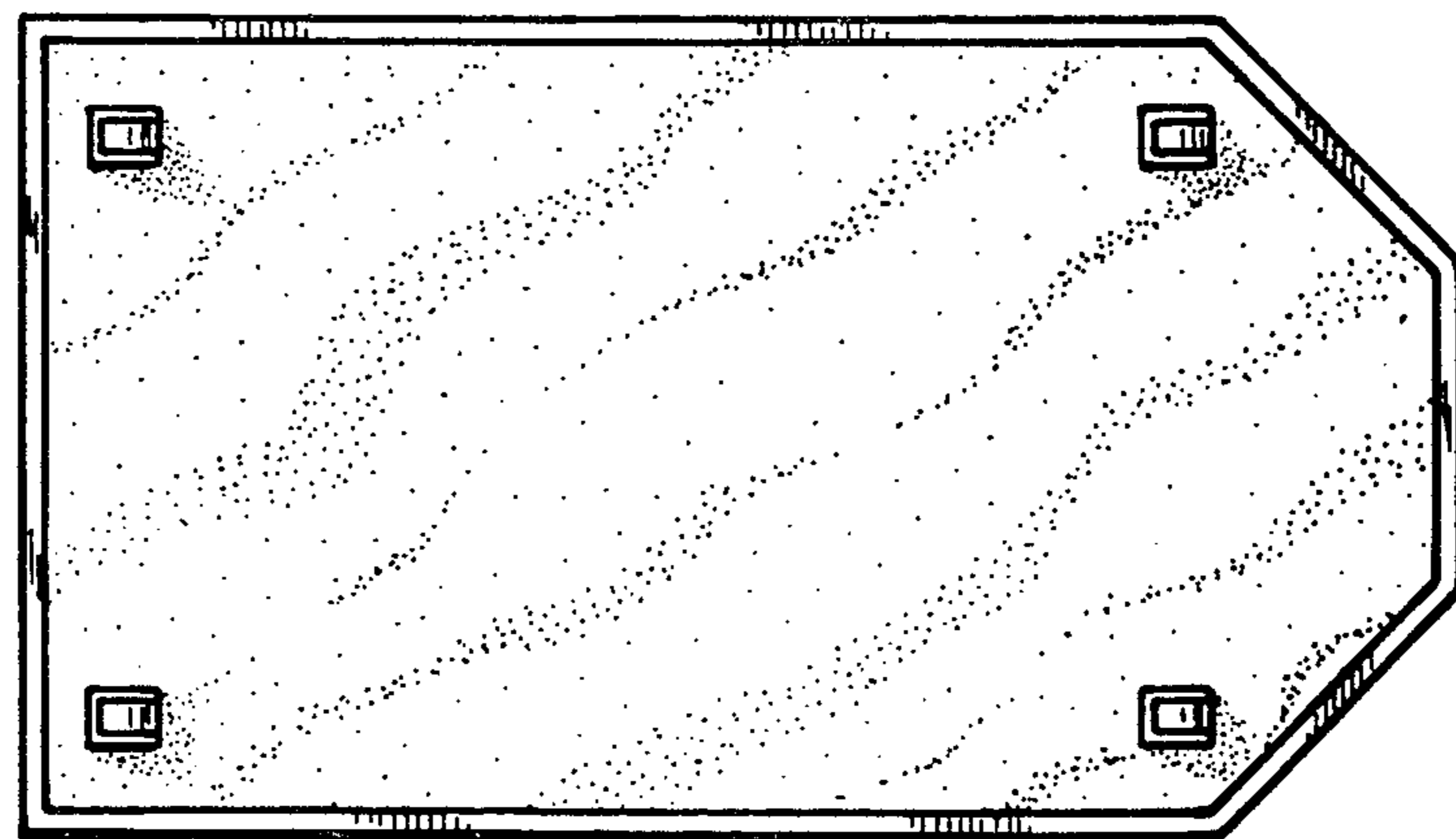


FIG-7

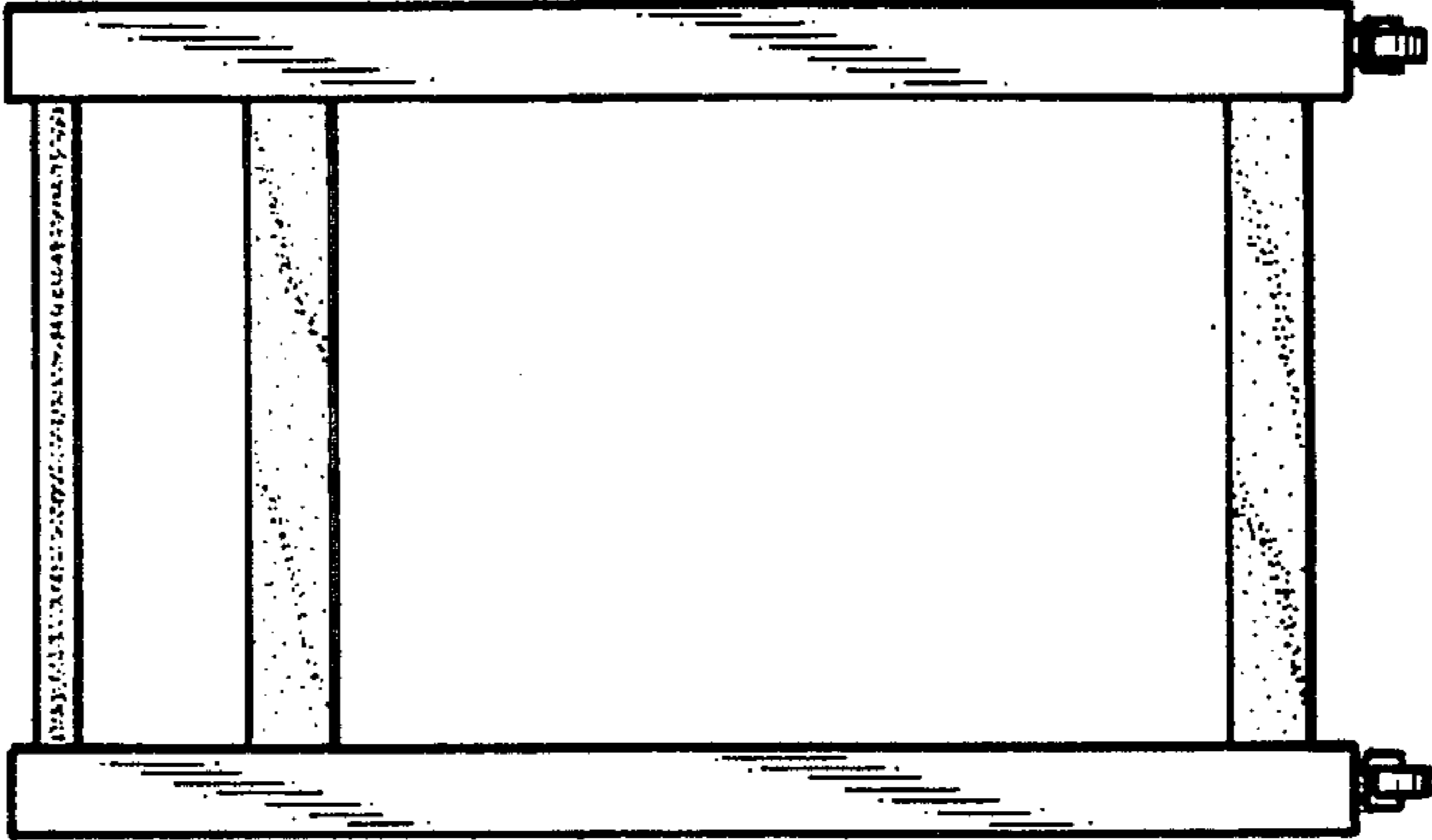


FIG-6

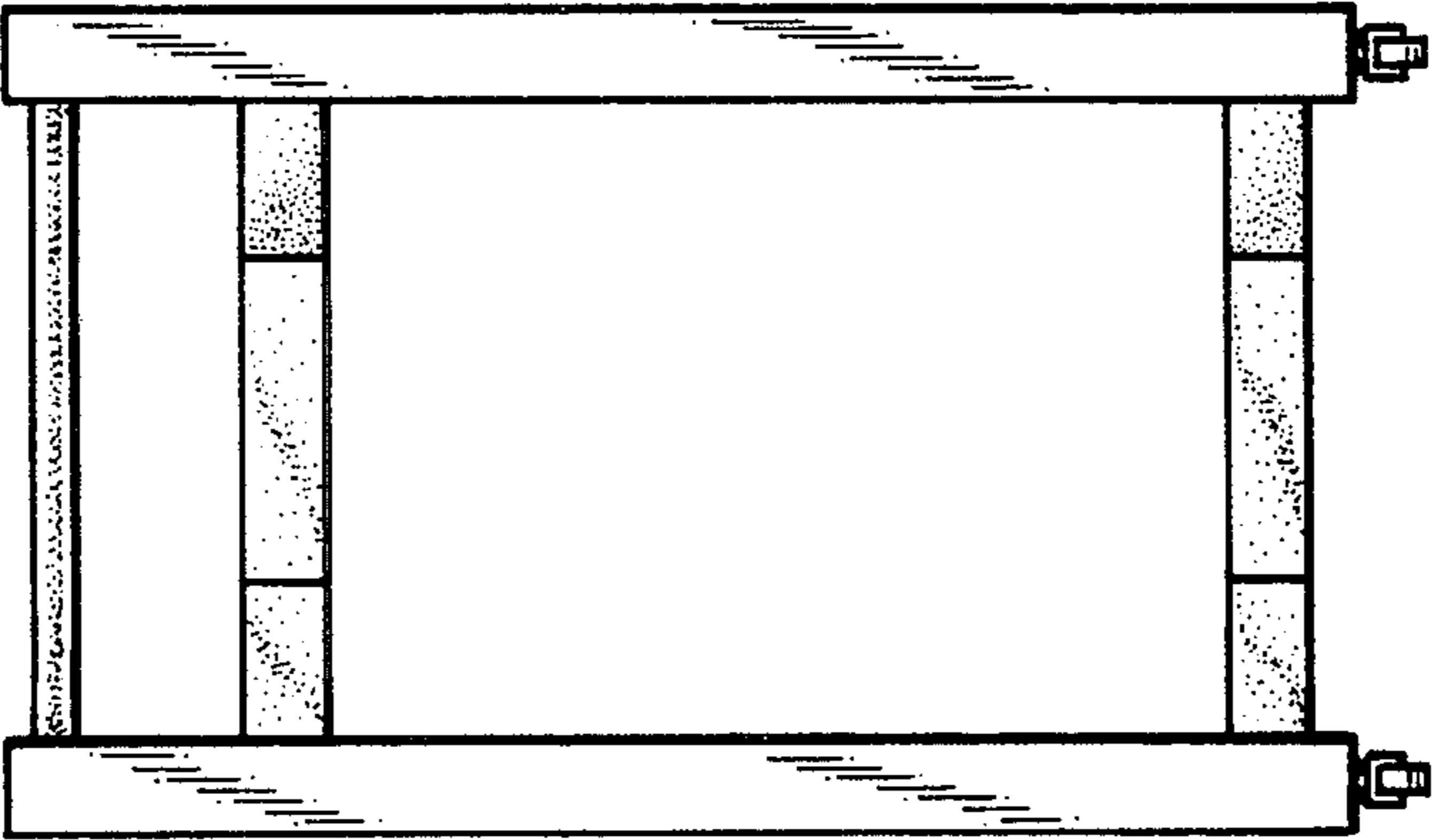


FIG-5

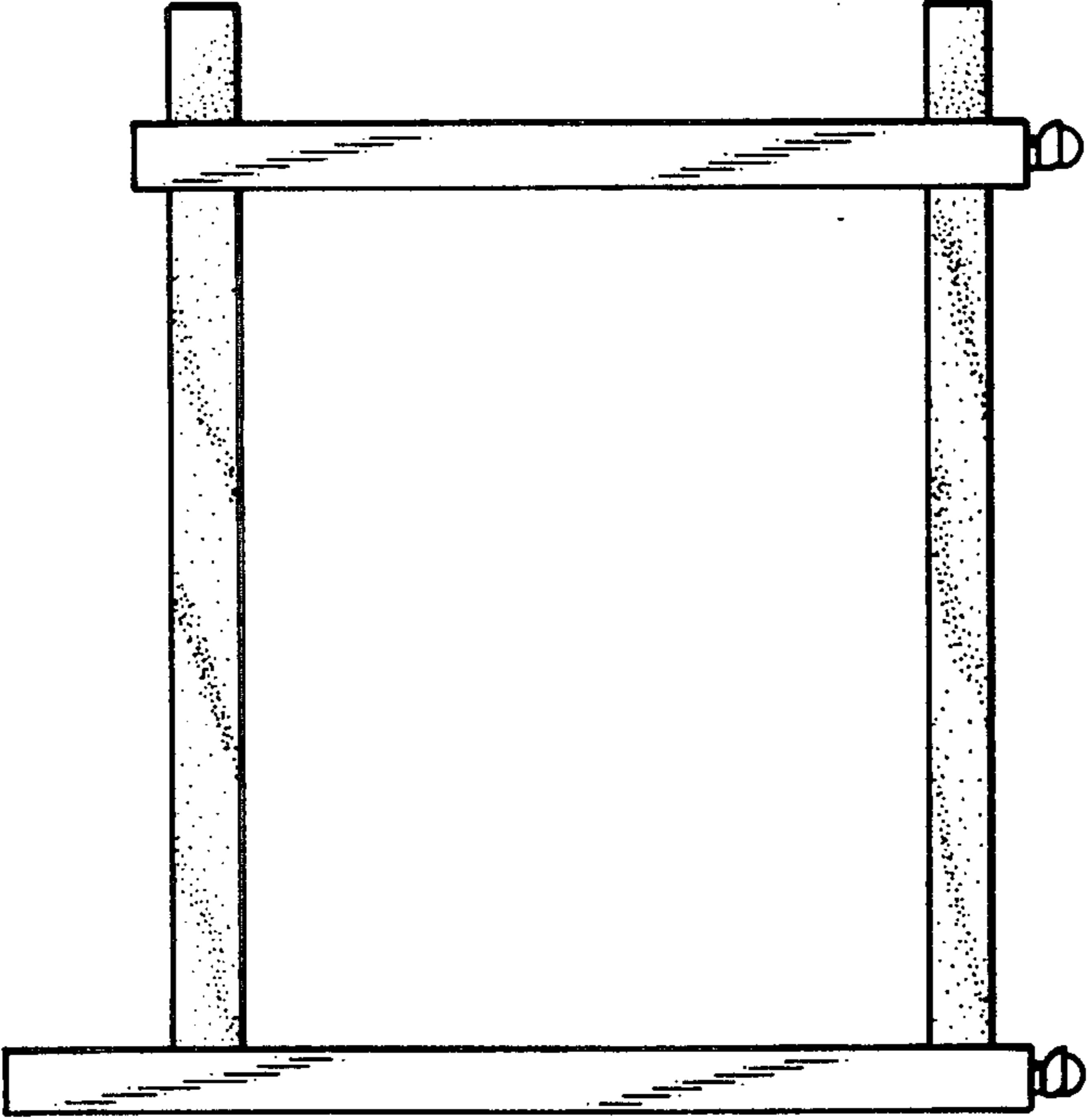


FIG-9



FIG-11

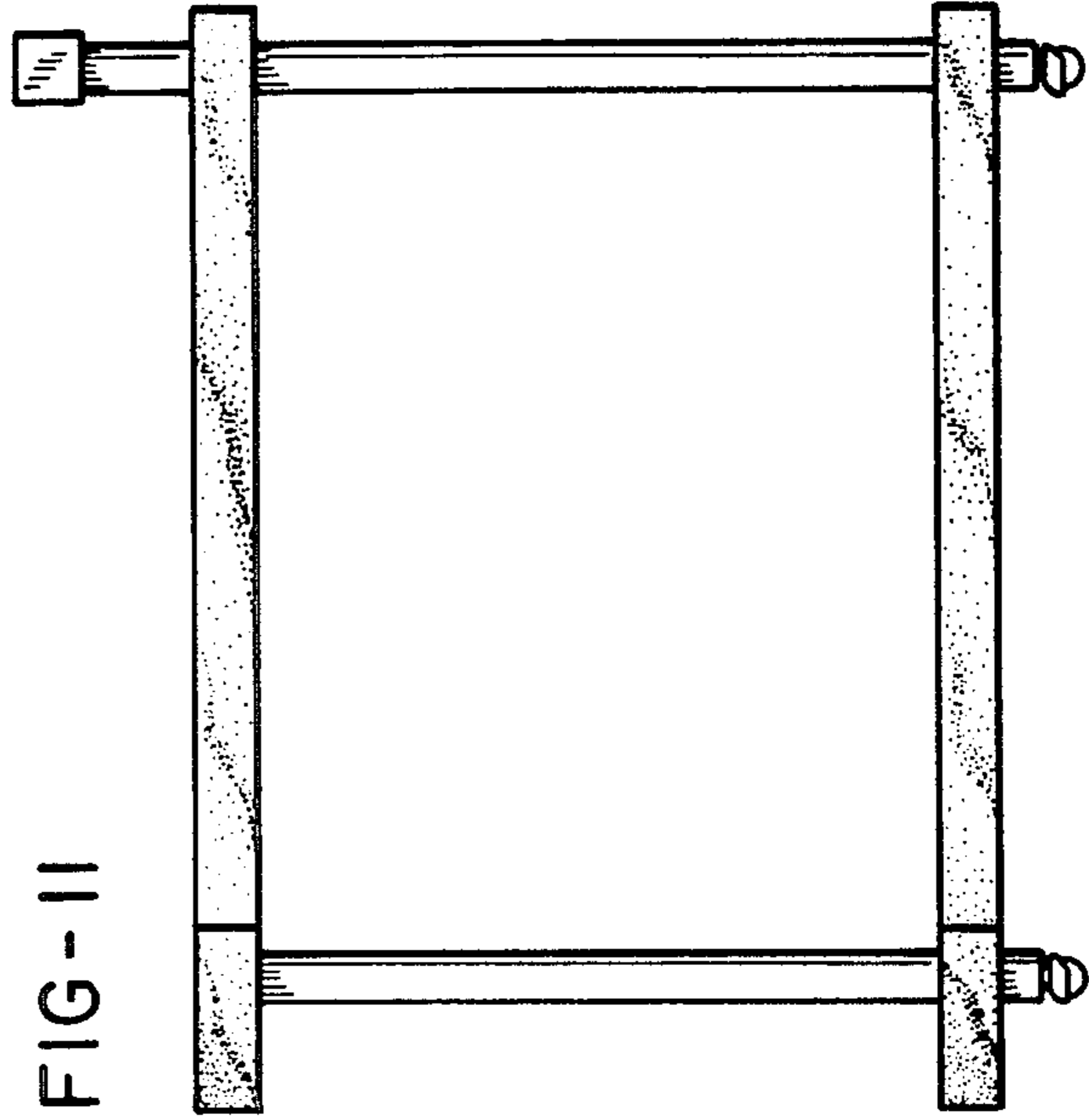


FIG-8

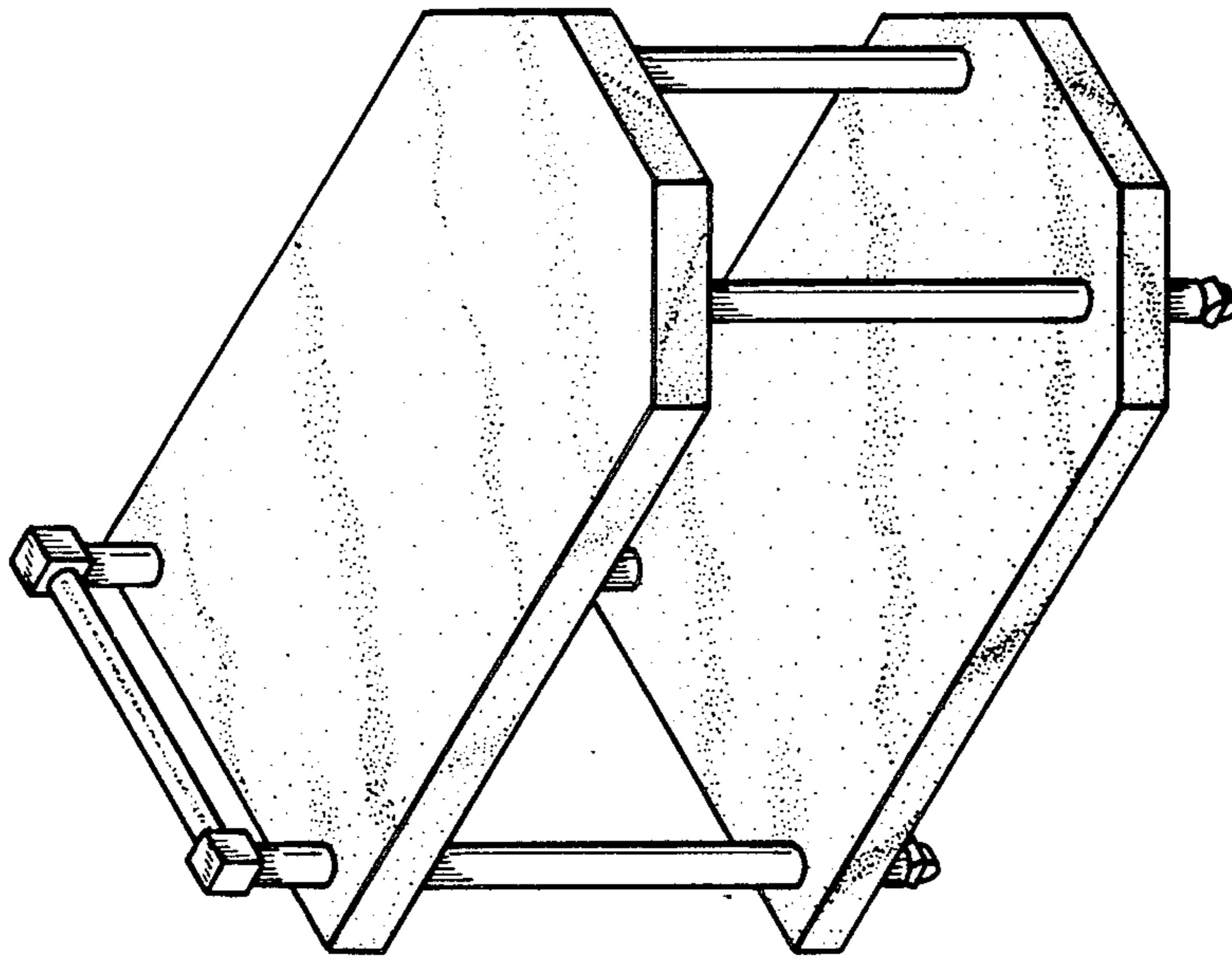


FIG-14

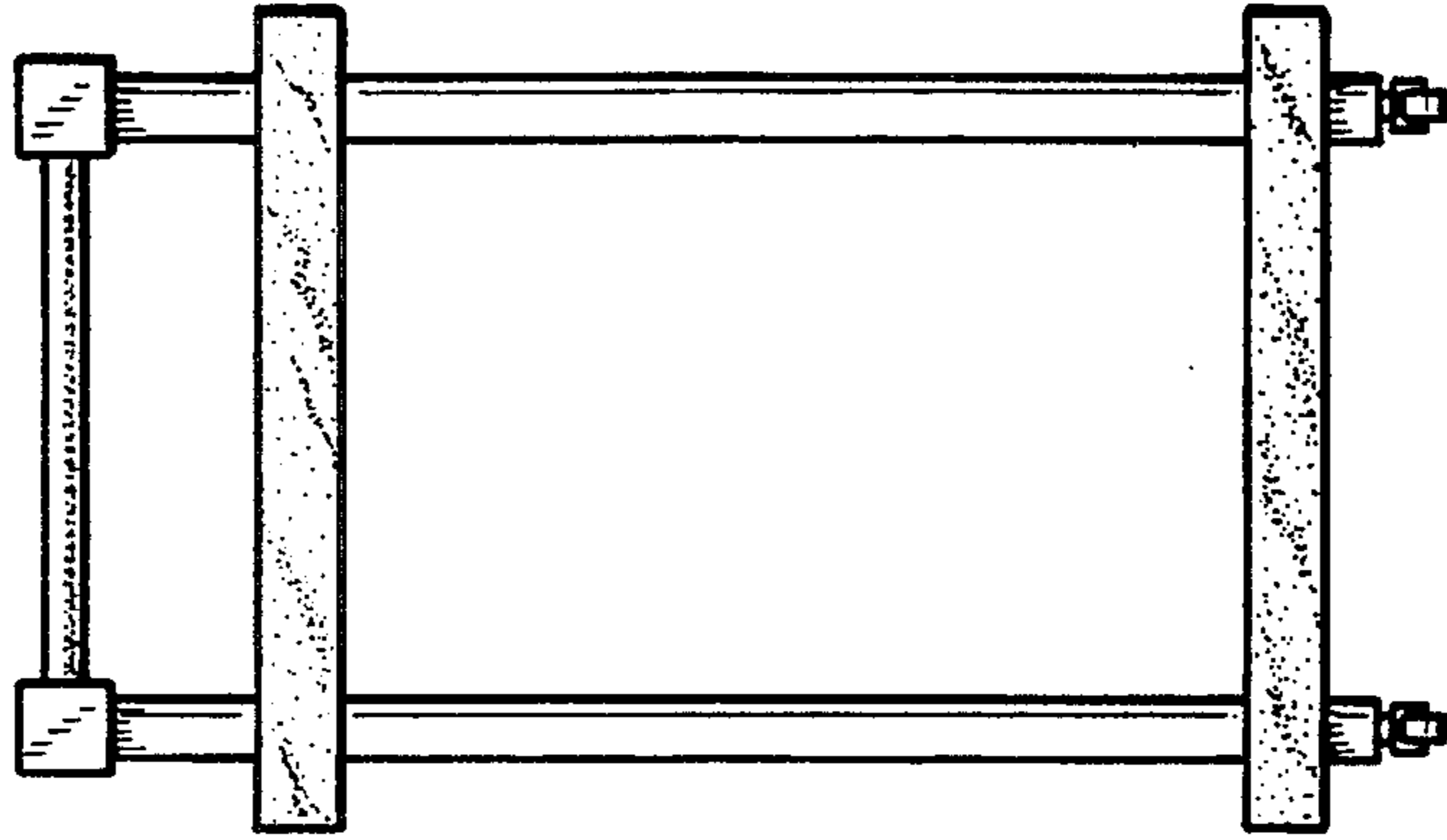


FIG-13

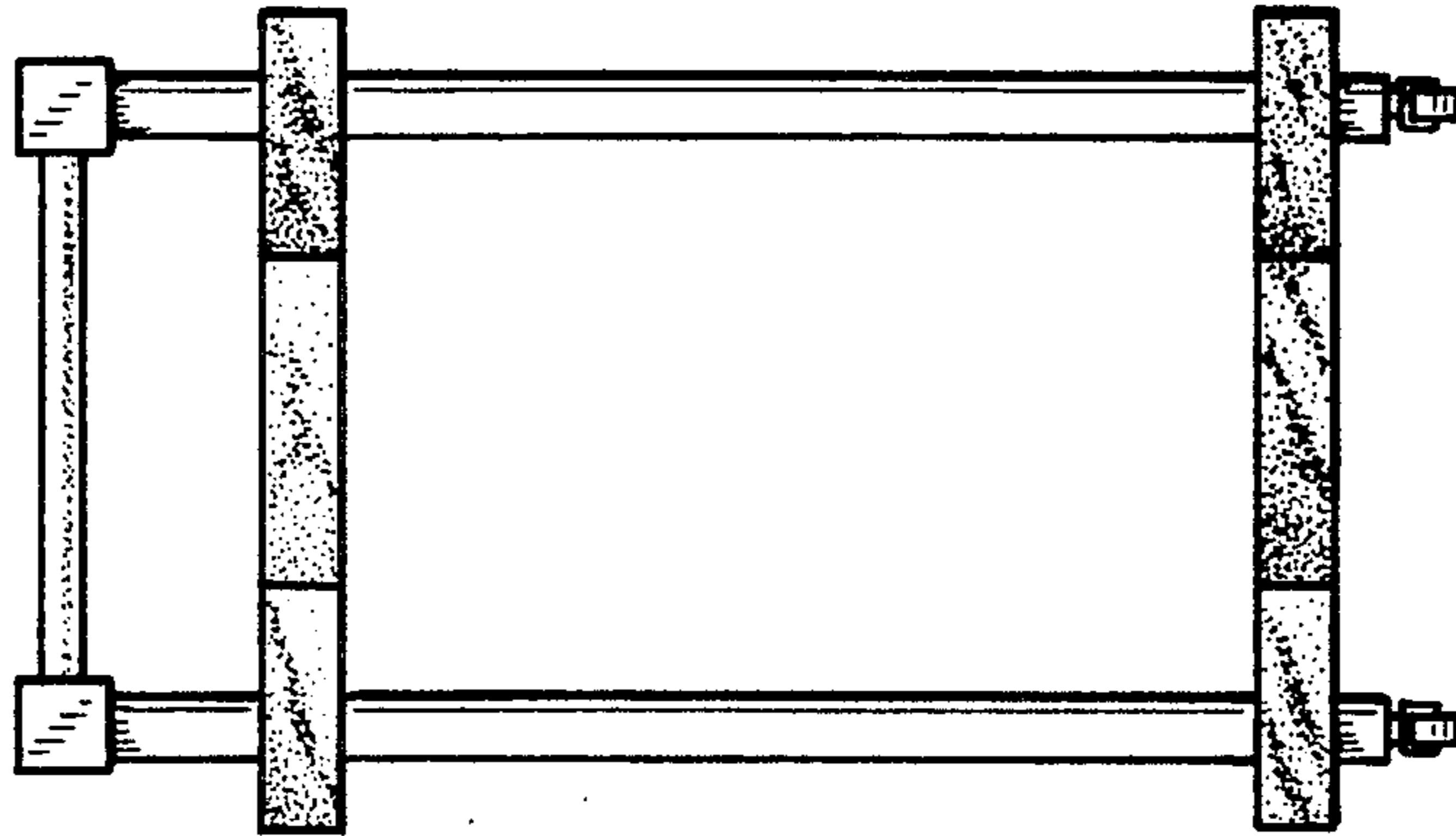


FIG-12

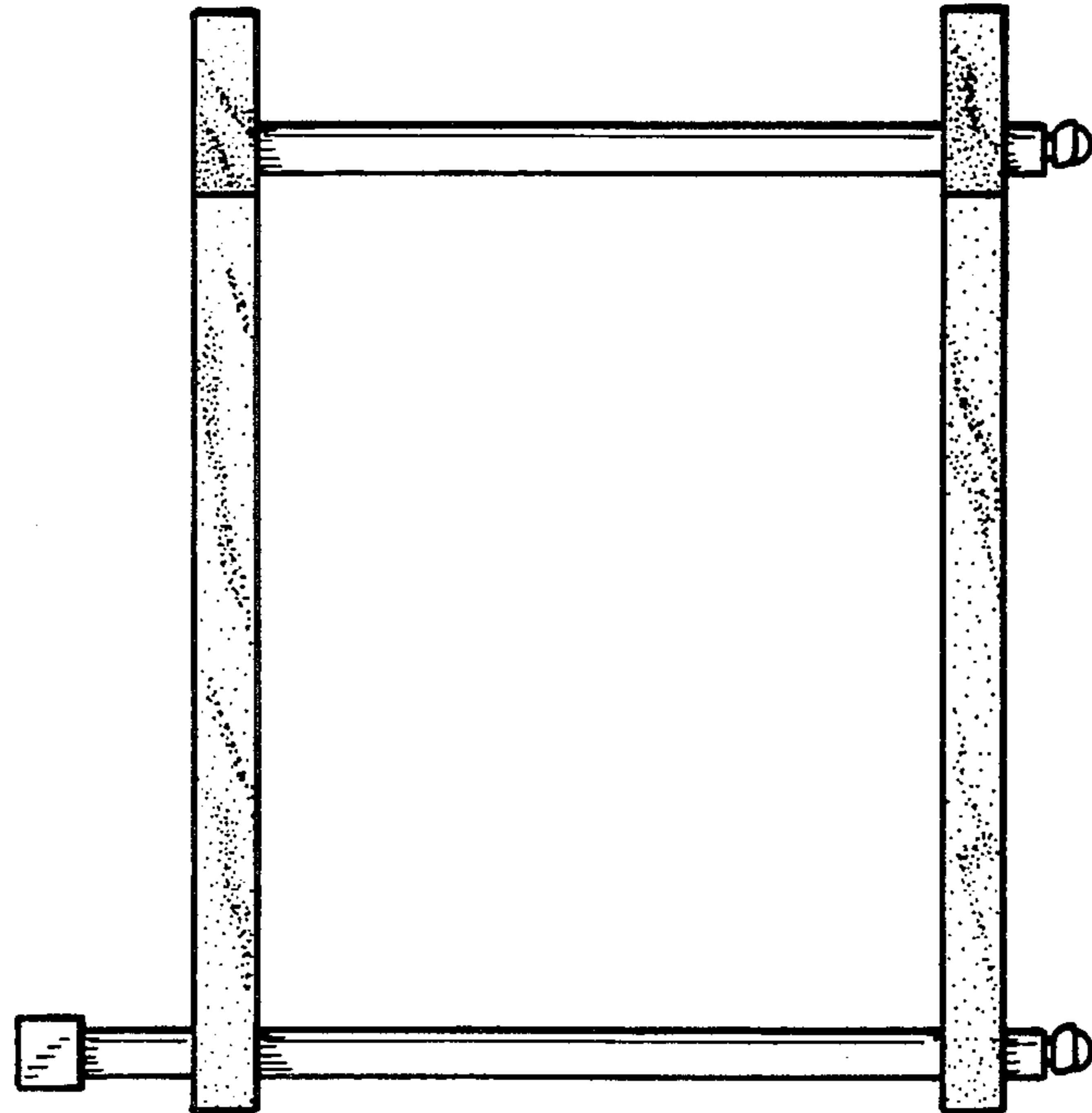


FIG-16



FIG-18

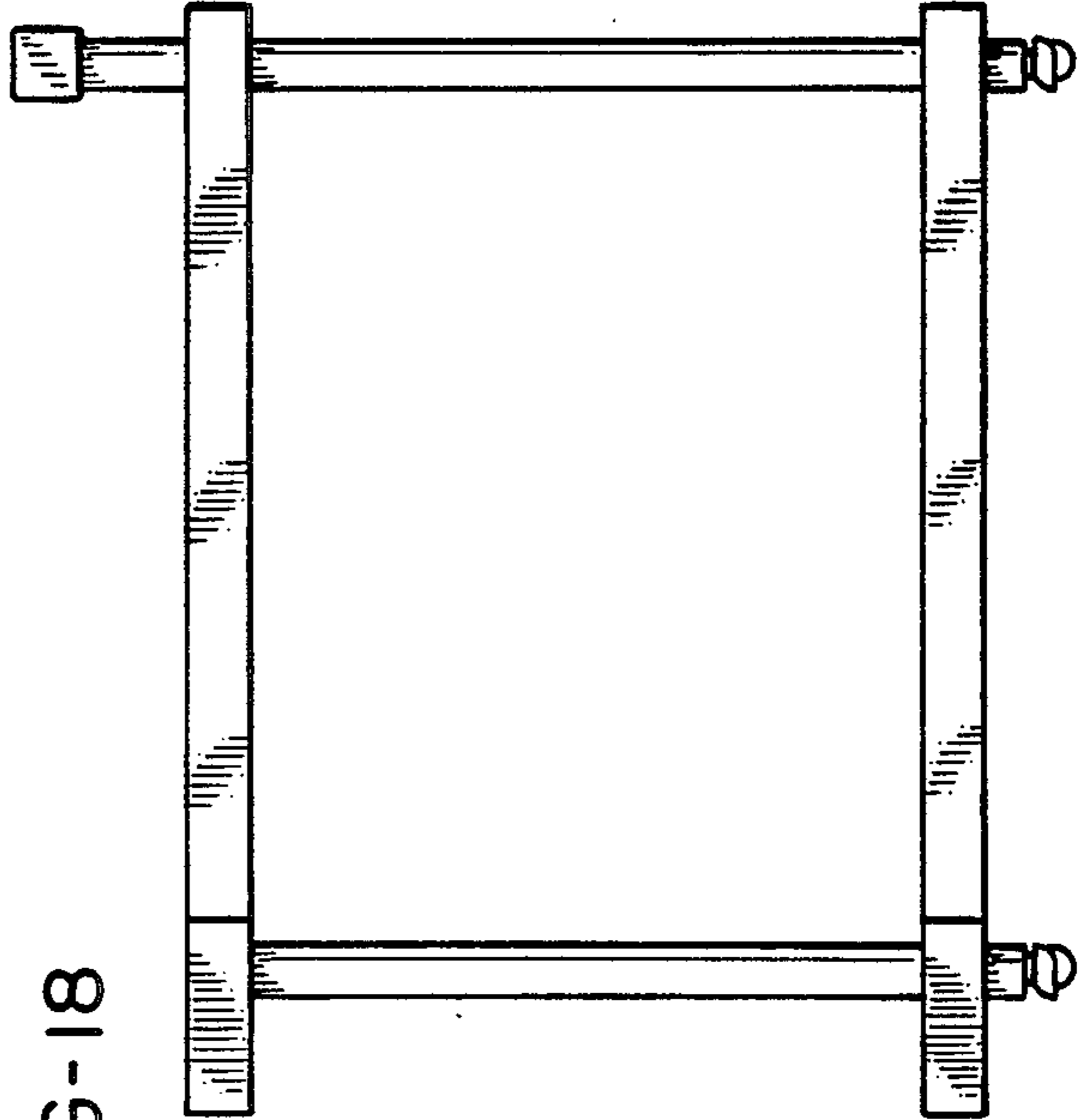


FIG-15

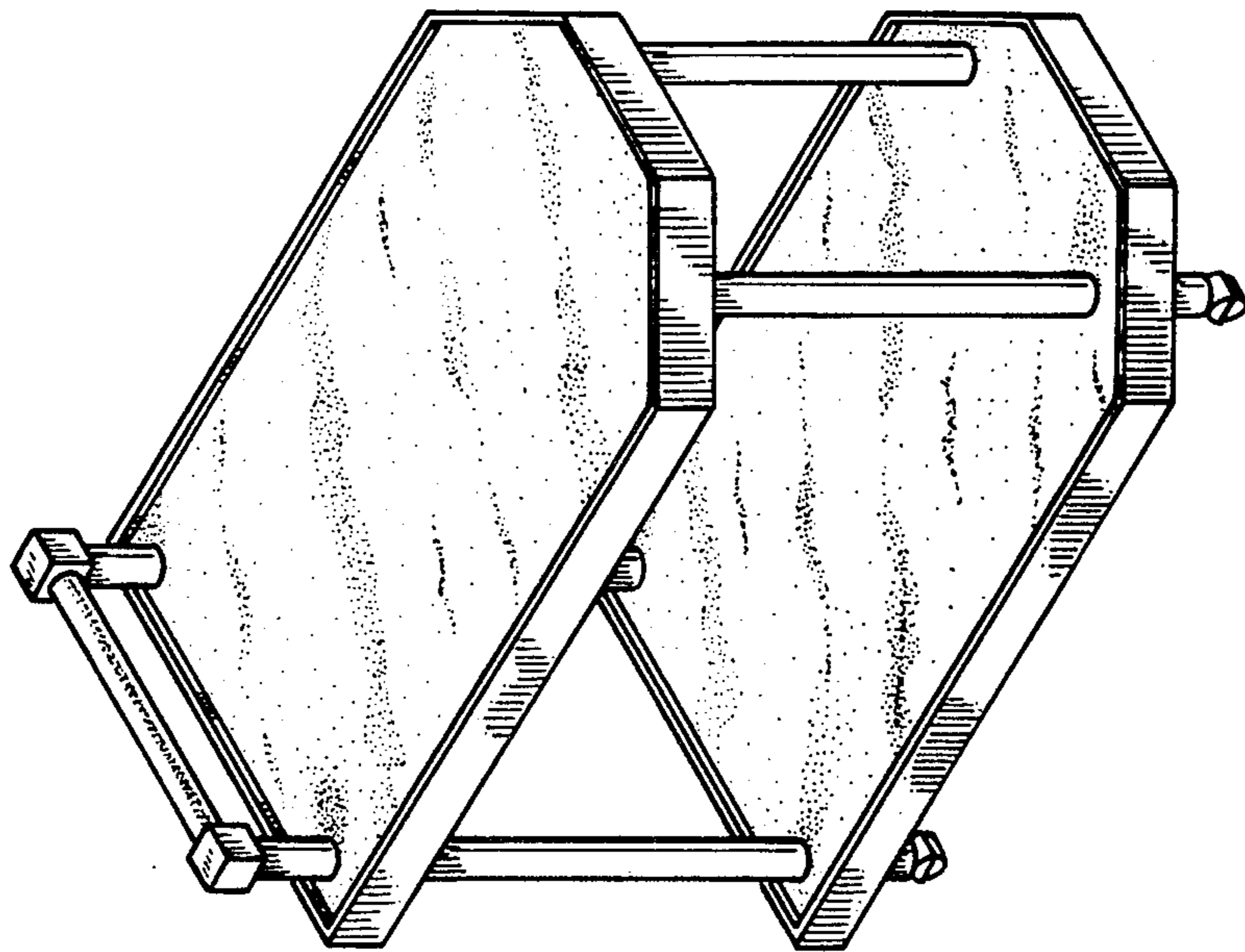


FIG-21

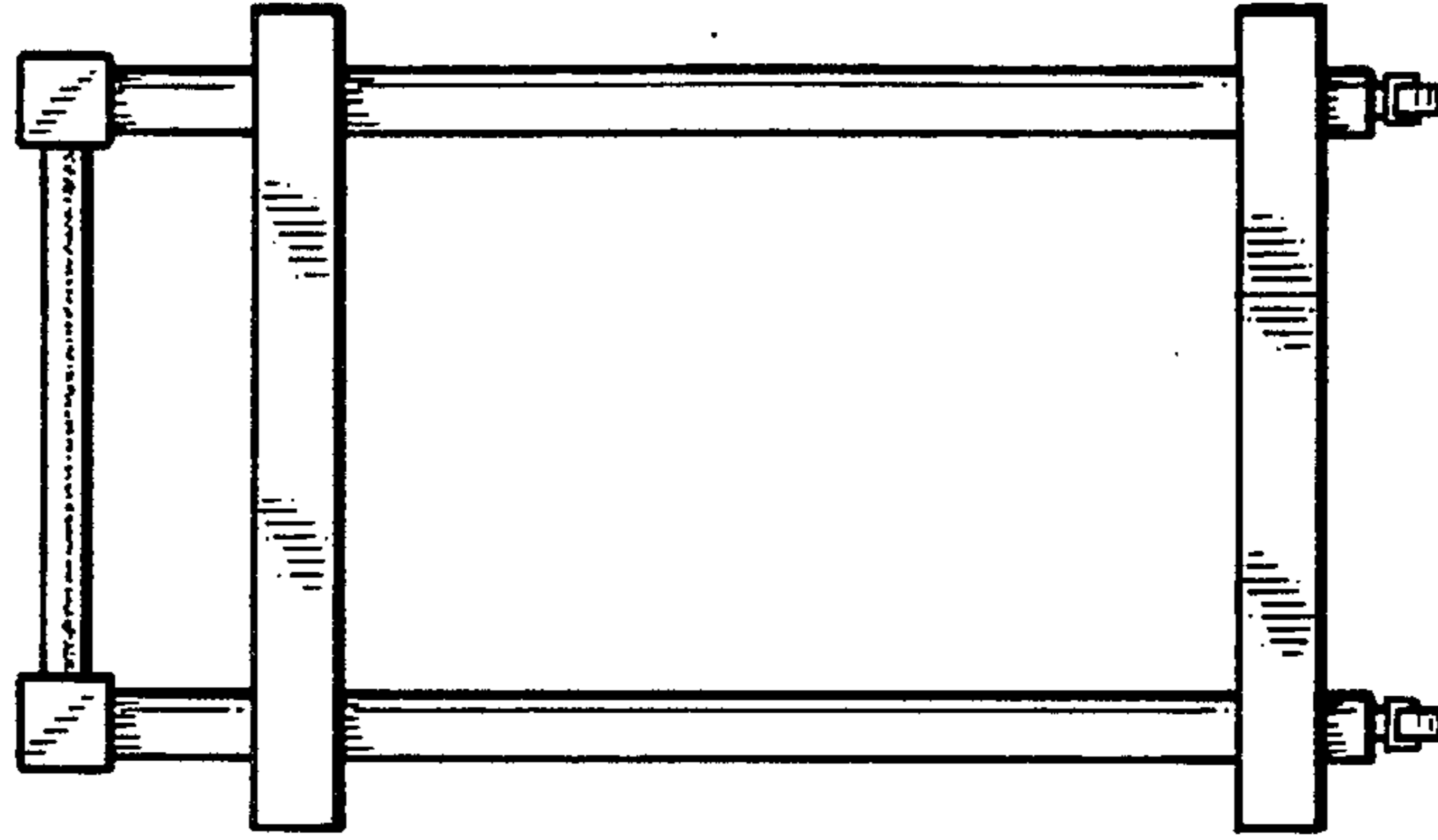


FIG-20

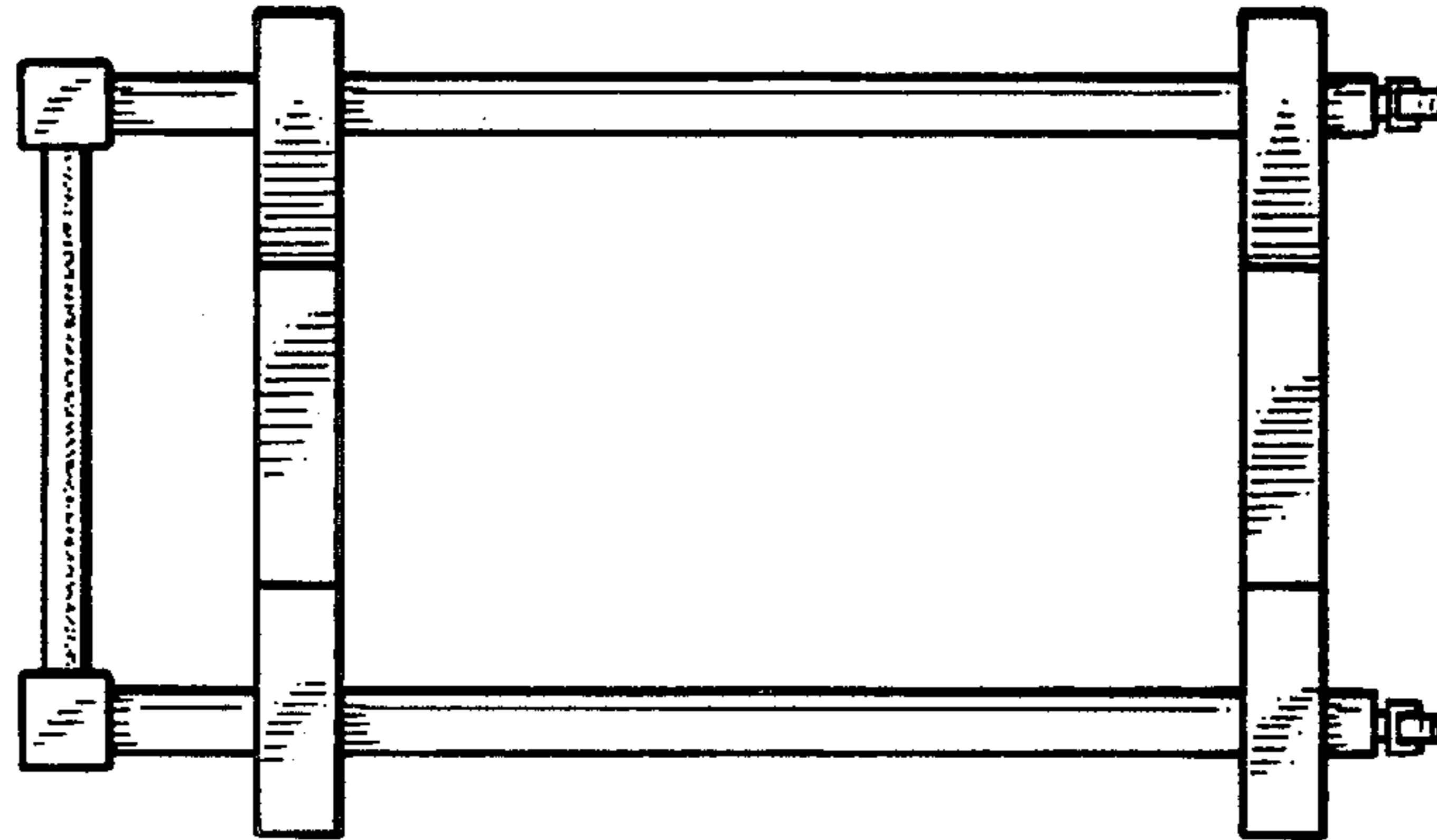


FIG-19

