



US00D330649S

United States Patent [19]

[11] Patent Number: **Des. 330,649**

Lemire

[45] Date of Patent: **** Nov. 3, 1992**

[54] **TELEVISION ACCESSORY CADDY**

2,490,356 12/1949 Hummel D6/419 X
3,086,658 4/1963 Palmer D6/449 X
4,073,460 2/1978 Dale 248/441.1

[76] Inventor: **Richard R. Lemire**, 80 Fourth Ave., Lowell, Mass. 01854

[**] Term: **14 Years**

[21] Appl. No.: **672,603**

[22] Filed: **Mar. 20, 1991**

[52] U.S. Cl. **D6/466; D6/419; D6/467; D6/475**

[58] Field of Search **D25/119, 121, 122; D19/90, 91, 92, 86; D6/449, 396, 397, 473, 466-468, 462-465, 475, 476, 419; 248/346, 309.1, 205.2, 176, 174, 441.1, 444.1, 450, 451, 459, 442.2; 211/13, 41, 45, 50; D18/49**

[56] **References Cited**

U.S. PATENT DOCUMENTS

D. 186,672	11/1959	Gilruth	D6/475
D. 243,977	4/1977	Robert	D18/12
D. 247,015	1/1978	Fowlie	D6/475
D. 254,110	2/1980	Stanley	D6/419
D. 311,035	10/1990	Ahola	D6/475
D. 315,366	3/1991	Greenspahn	D19/92 X
D. 316,811	5/1991	Paul	D8/395 X
D. 319,936	9/1991	Lowe	D6/466

OTHER PUBLICATIONS

View Rite Catalog; dated Feb. 28, 1986, Item at center left, p. AP-11.

The Plastic Showcase, Sep. 1985, p. 8, Item 8C.

Primary Examiner—Carmen H. Vales-Lado

Assistant Examiner—Jeffrey Asch

Attorney, Agent, or Firm—Richard C. Litman

[57] **CLAIM**

The ornamental design for a television accessory caddy, as shown and described.

DESCRIPTION

FIG. 1 is a top plan view of a television accessory caddy showing my new design;

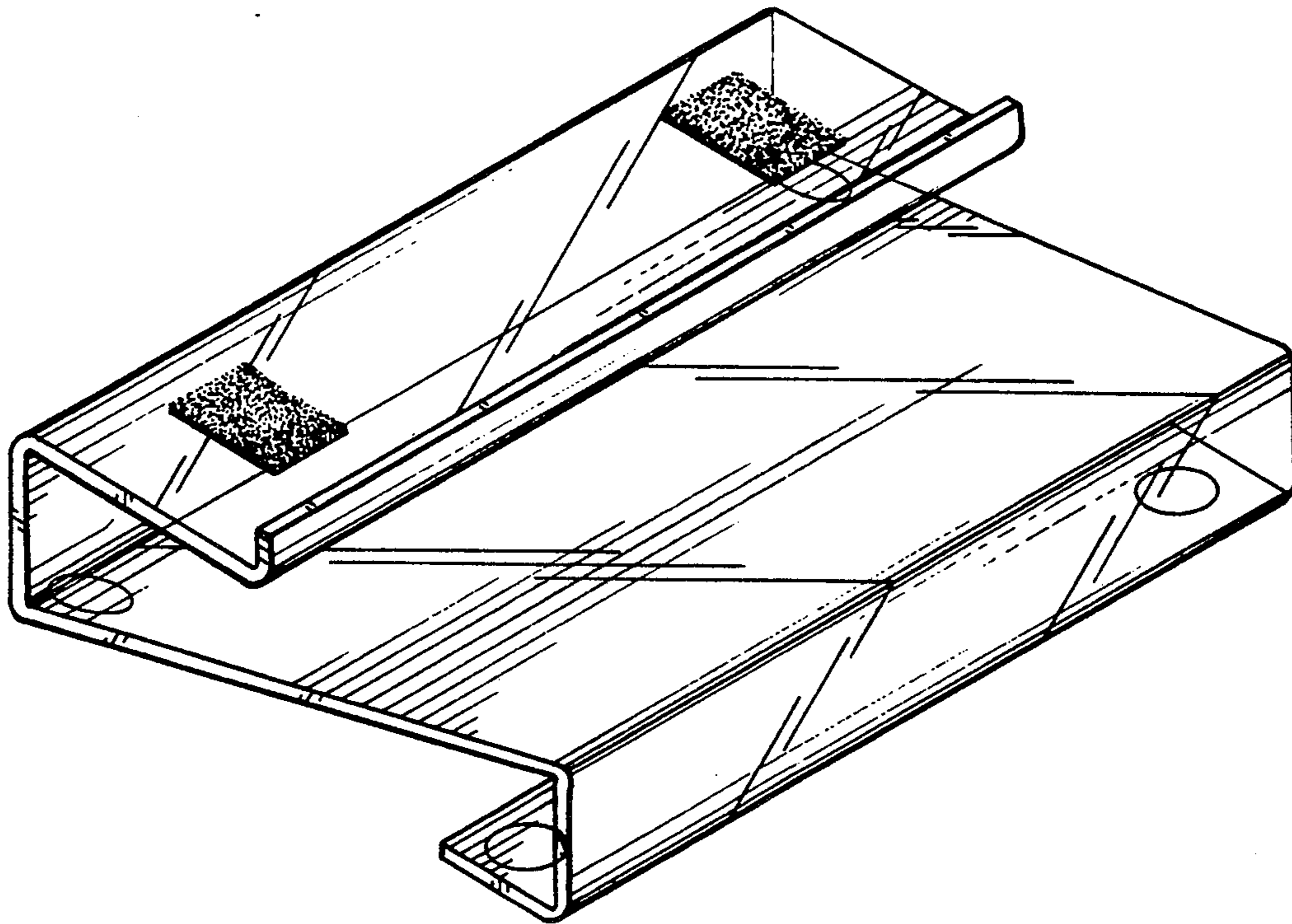
FIG. 2 is a bottom plan view thereof;

FIG. 3 is an end elevational view, the opposite end being a mirror image thereof;

FIG. 4 is a side elevational view, the opposite side being a mirror image thereof; and,

FIG. 5 is a perspective view thereof.

The broken line showing of television accessories in FIG. 3 are for illustrative purposes only.



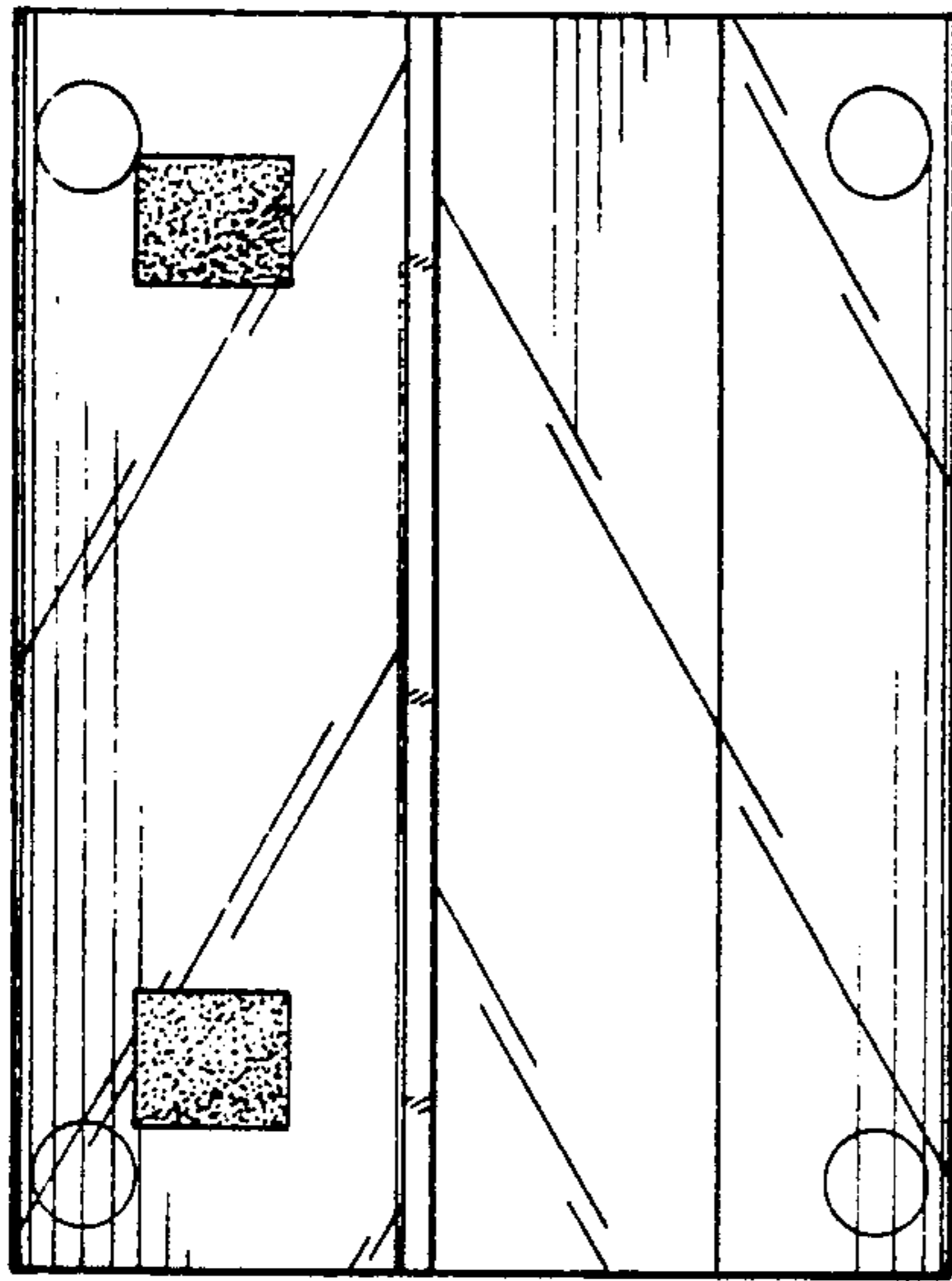


Fig 1

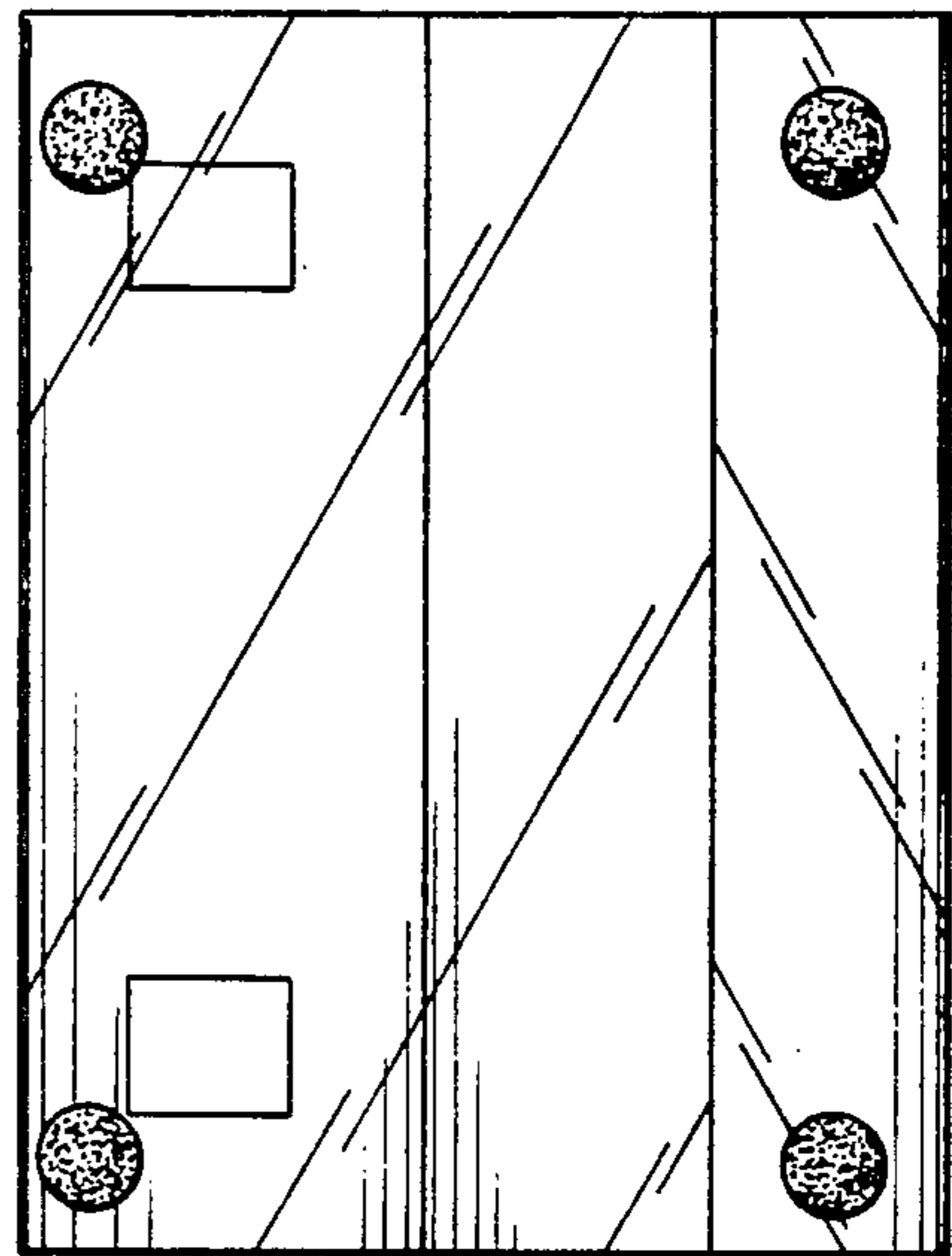


Fig 2

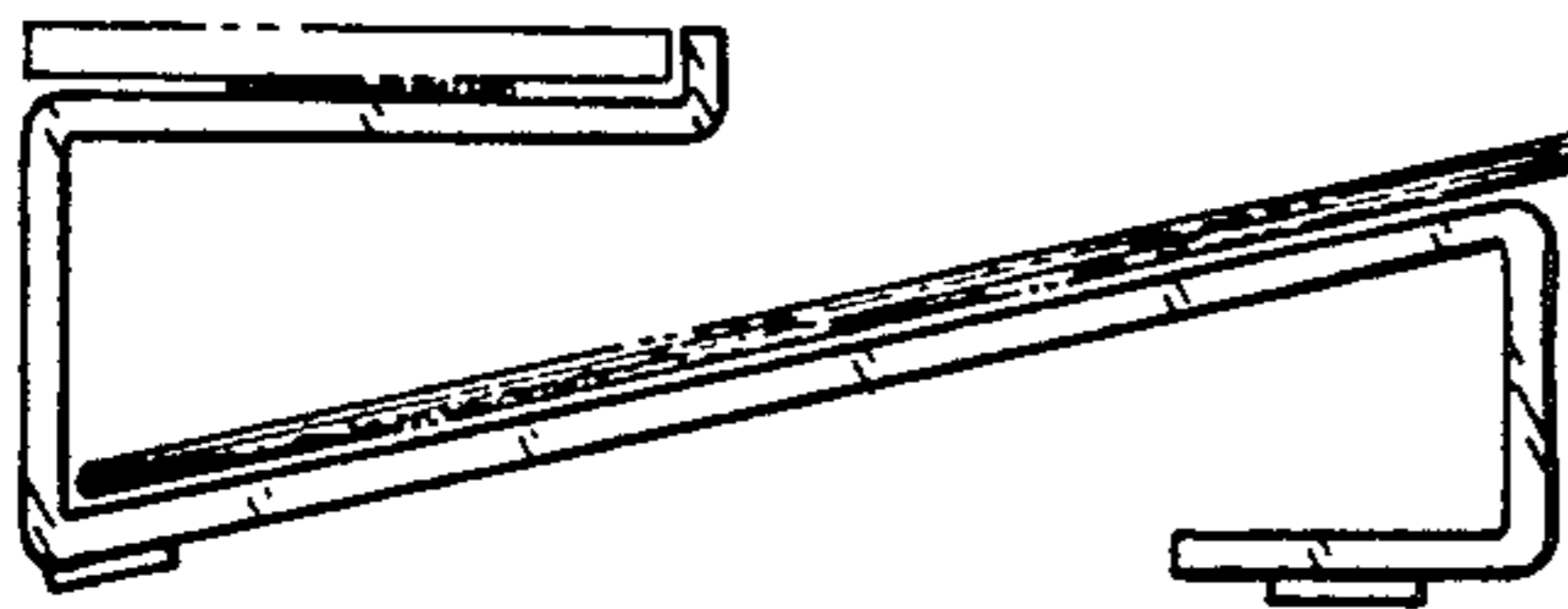


Fig 3

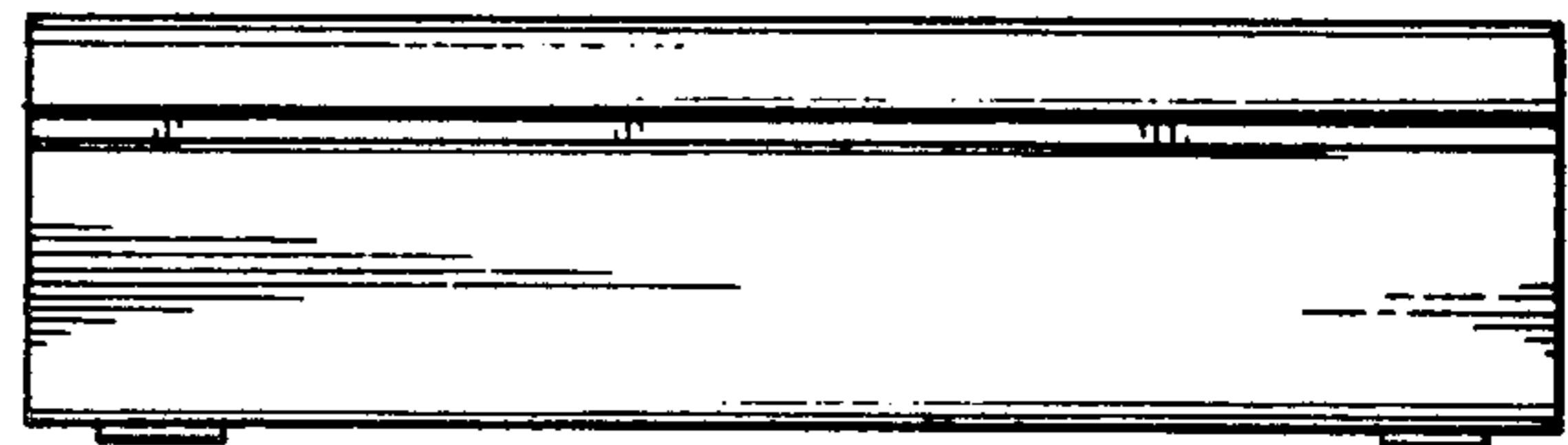


Fig 4

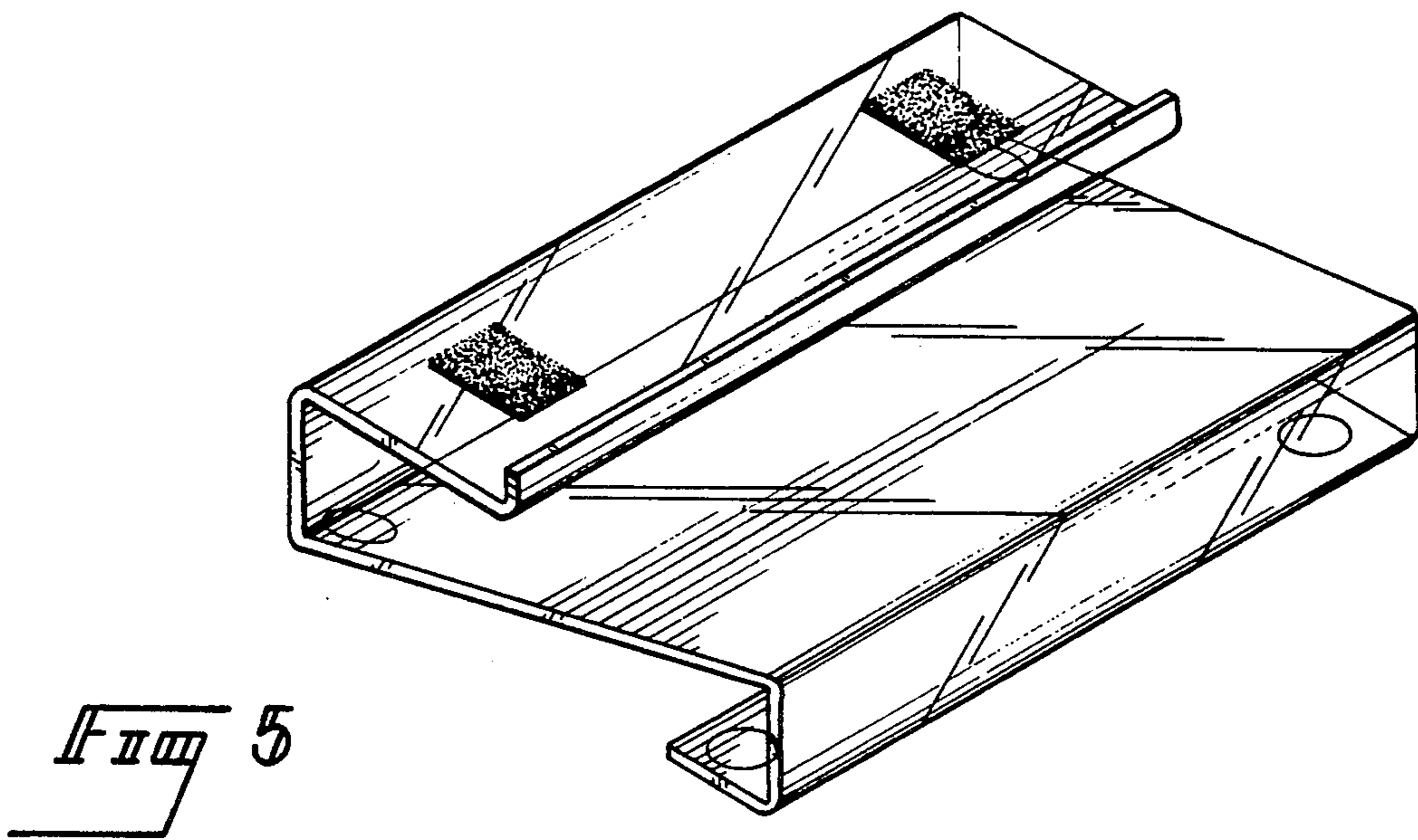


Fig 5