



US00D330639S

United States Patent [19]

[11] Patent Number: **Des. 330,639**

Munro et al.

[45] Date of Patent: **** Nov. 3, 1992**

[54] SEAT WITH COOLER COMPARTMENT

[76] Inventors: **Doug S. Munro**, 9942 124th Street, Surrey, British Columbia, Canada, V3V 4L4; **Joe Birner**, 400 Glenbrook Drive, New Westminster, British Columbia, Canada, V3L 5J5

[**] Term: **14 Years**

[21] Appl. No.: **427,361**

[22] Filed: **Oct. 27, 1989**

[52] U.S. Cl. **D6/335; D6/334; D6/336; 297/DIG. 1; 297/17; 297/192; 297/193; 297/378**

[58] Field of Search **D6/335, 336, 338, 366; 297/DIG. 1, 17, 192, 193, 300, 304, 337, 368, 387, 421, 459, 460**

[56] References Cited

U.S. PATENT DOCUMENTS

D. 298,186	10/1988	Brannon	D6/336
D. 312,000	11/1990	Smith et al.	D6/336
2,570,842	10/1951	O'Connor	297/17 X
3,032,916	5/1962	Oakes	297/DIG. 1 X
3,419,309	12/1988	Smith	297/17 X
3,560,047	2/1971	Davis	297/192 X
4,652,048	3/1987	Nazar	297/192
4,843,662	7/1989	Handelman	297/DIG. 1 X

FOREIGN PATENT DOCUMENTS

1172649 12/1969 Canada 297/17

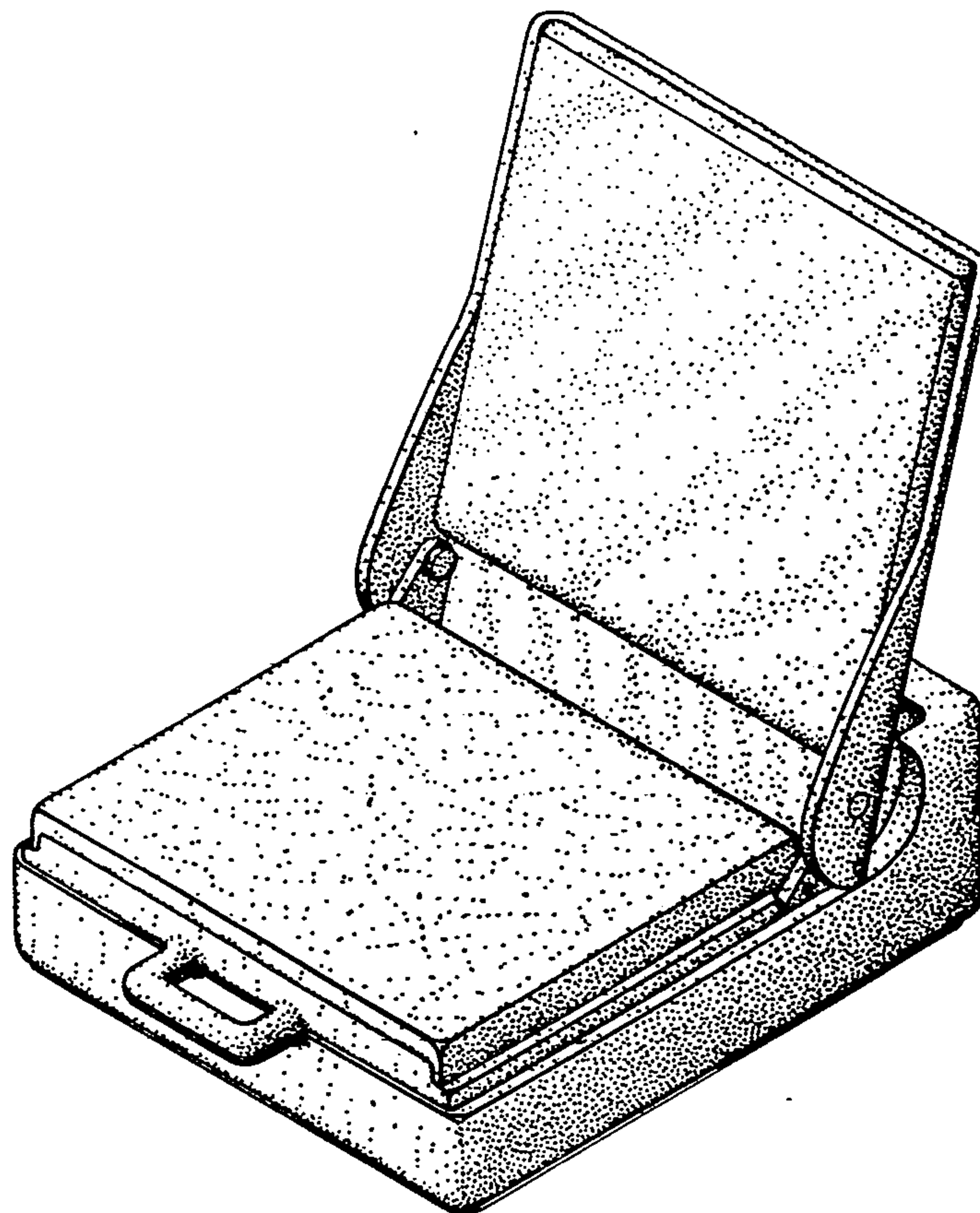
Primary Examiner—Donald P. Walsh
Assistant Examiner—Monica A. Hannon
Attorney, Agent, or Firm—Bull, Housser & Tupper

[57] CLAIM

The ornamental design for a seat with cooler compartment, as shown and described.

DESCRIPTION

FIG. 1 is a front perspective view of a seat with cooler compartment with the back raised showing our new design;
FIG. 2 is a left side elevational view with the back-raised, the right side being a mirror image thereof;
FIG. 3 is a top plan view with the back closed thereof;
FIG. 4 is a front elevational view with the back raised thereof;
FIG. 5 is a rear elevational view with the back raised thereof;
FIG. 6 is a bottom plan view with the back closed thereof;
FIG. 7 is a front perspective view with the back closed thereof; and,
FIG. 8 is a front perspective view with the cooler lid raised thereof.



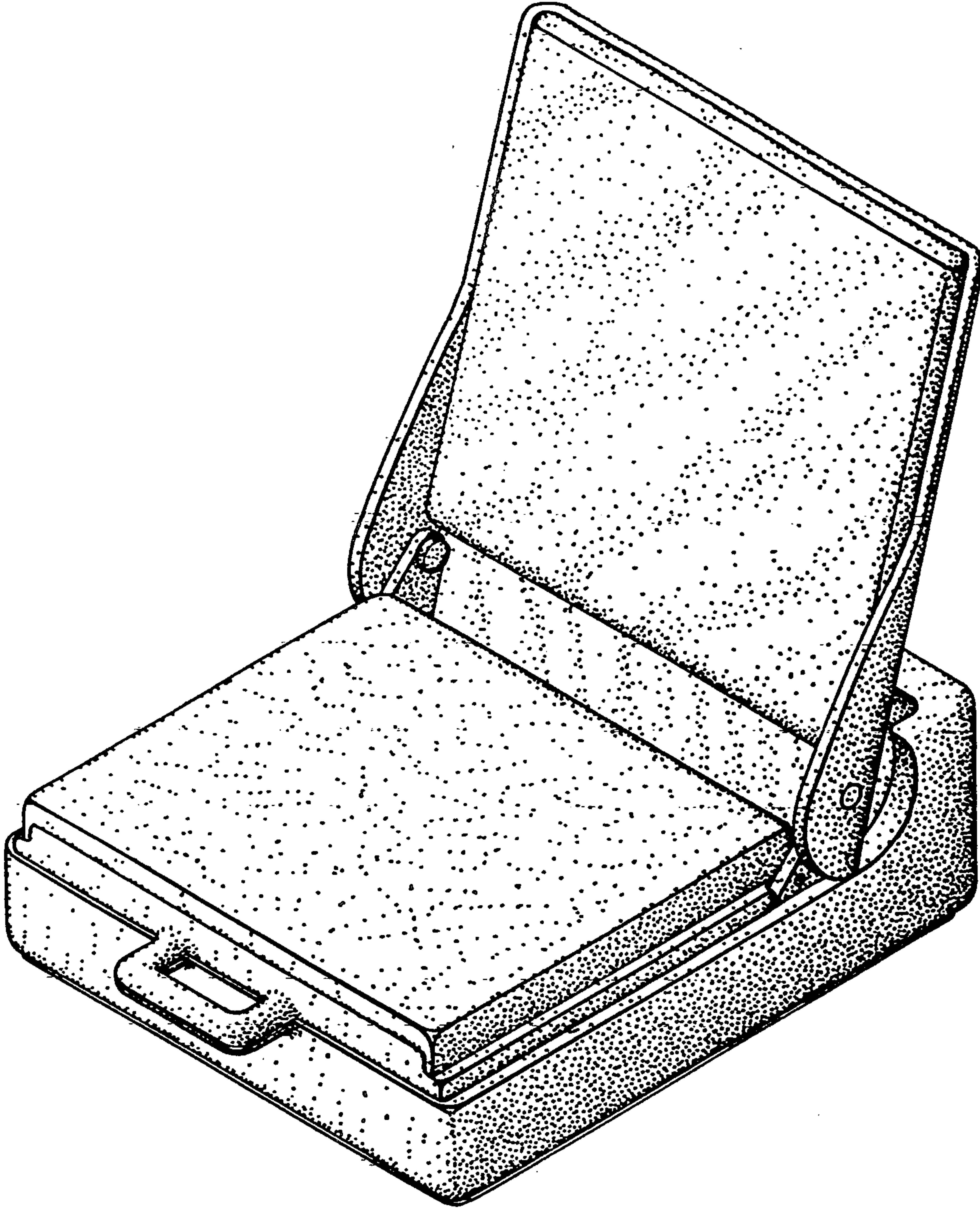


FIG. 1

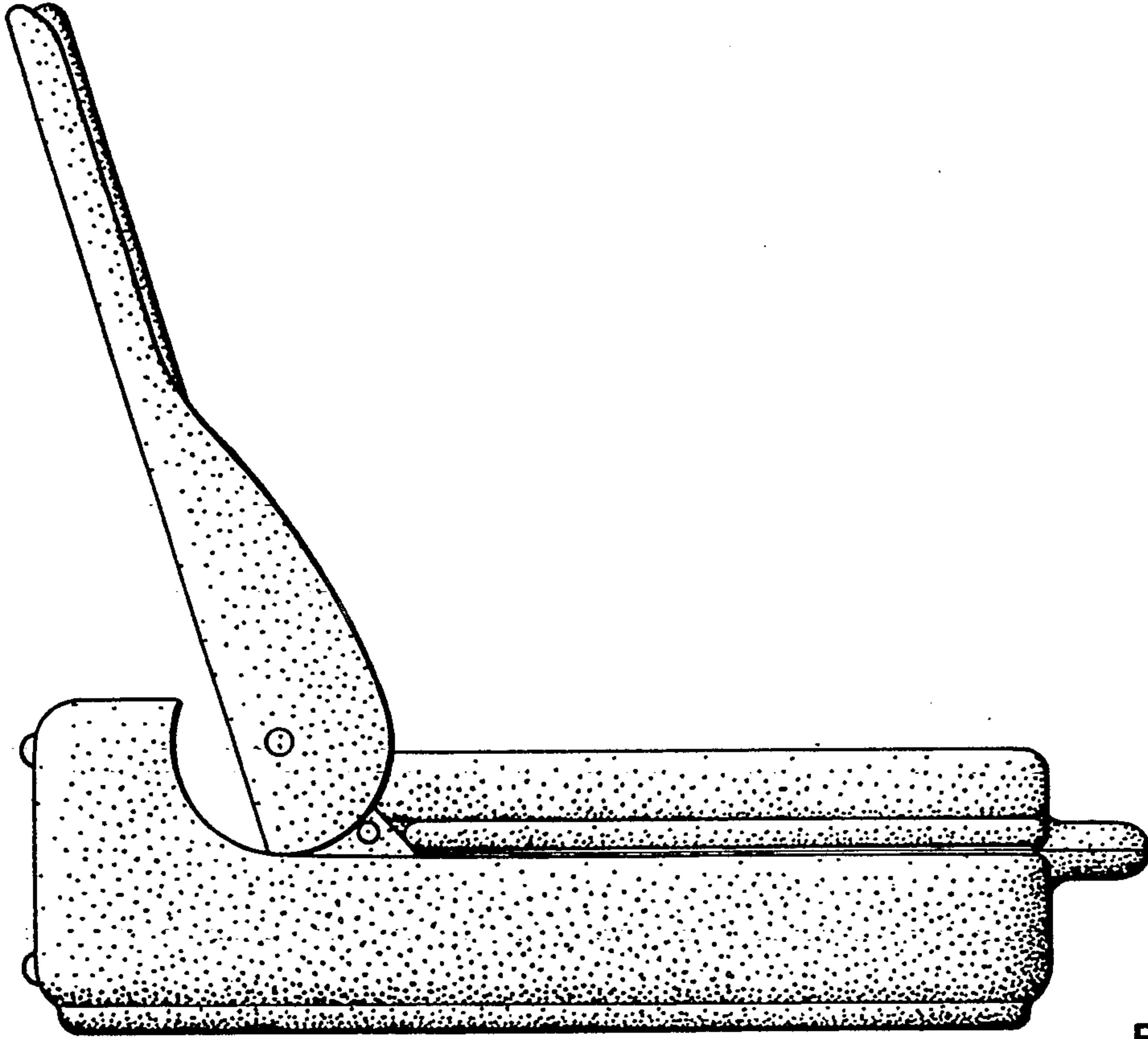


FIG. 2

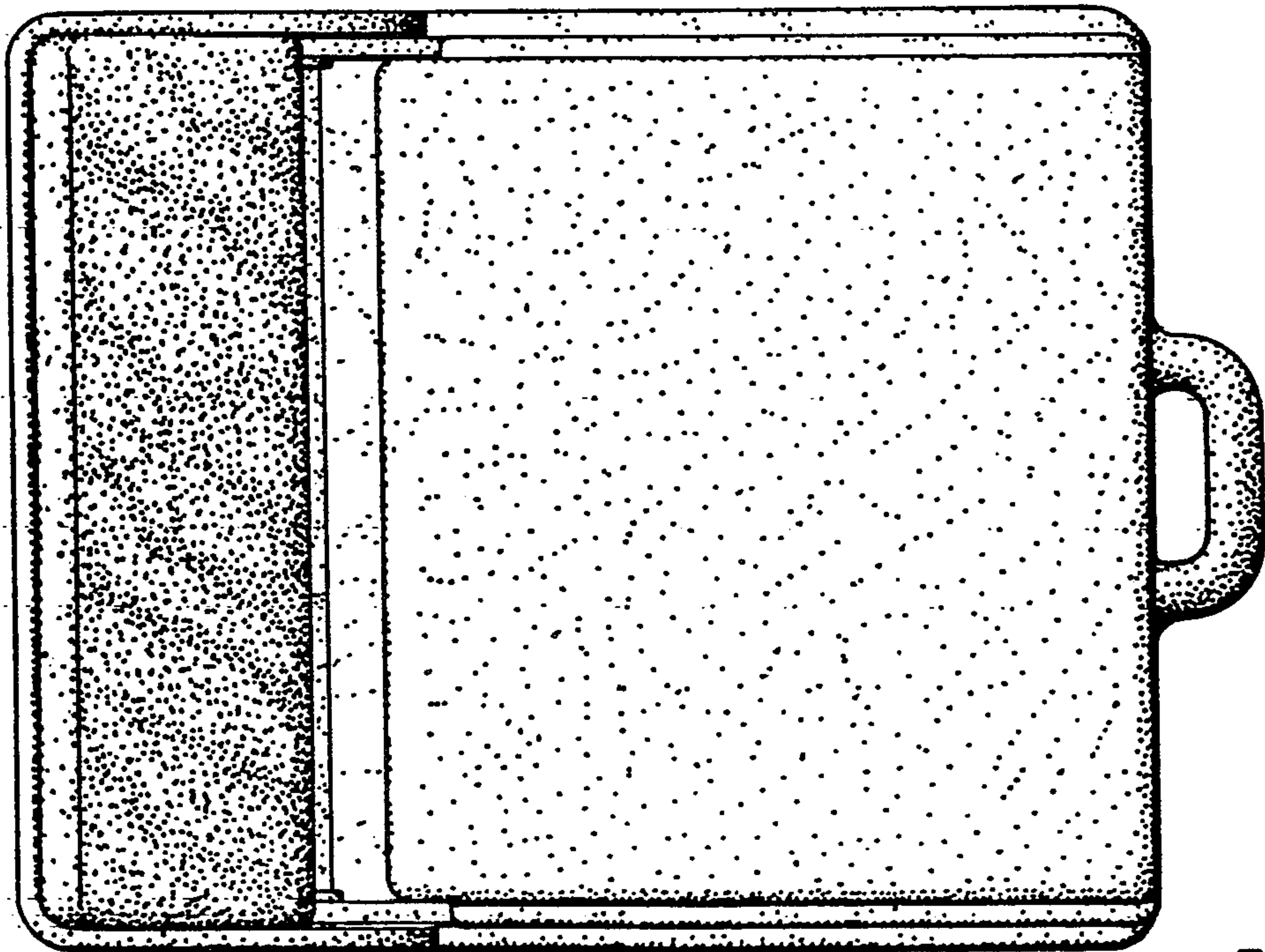


FIG. 3

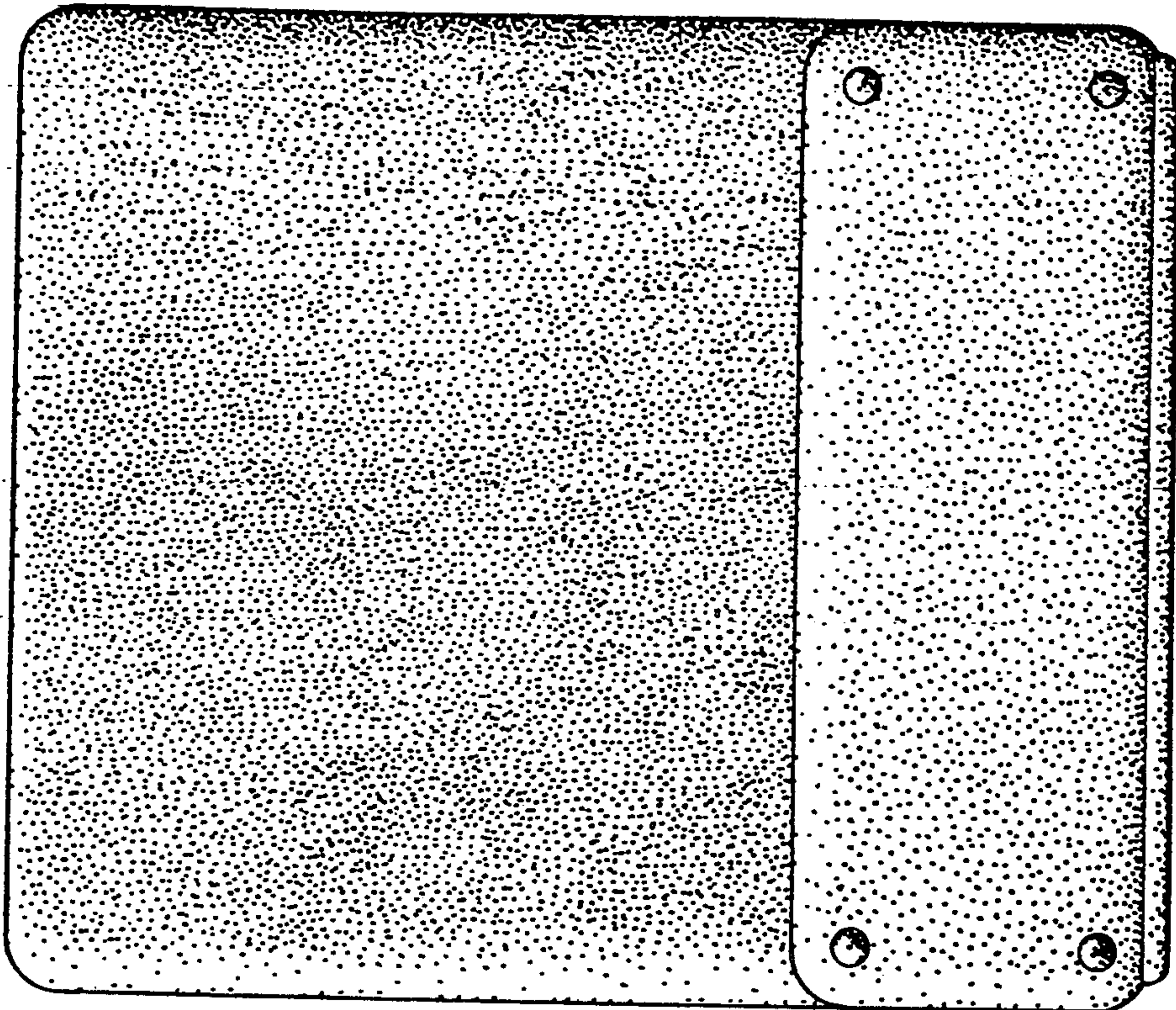


FIG. 5

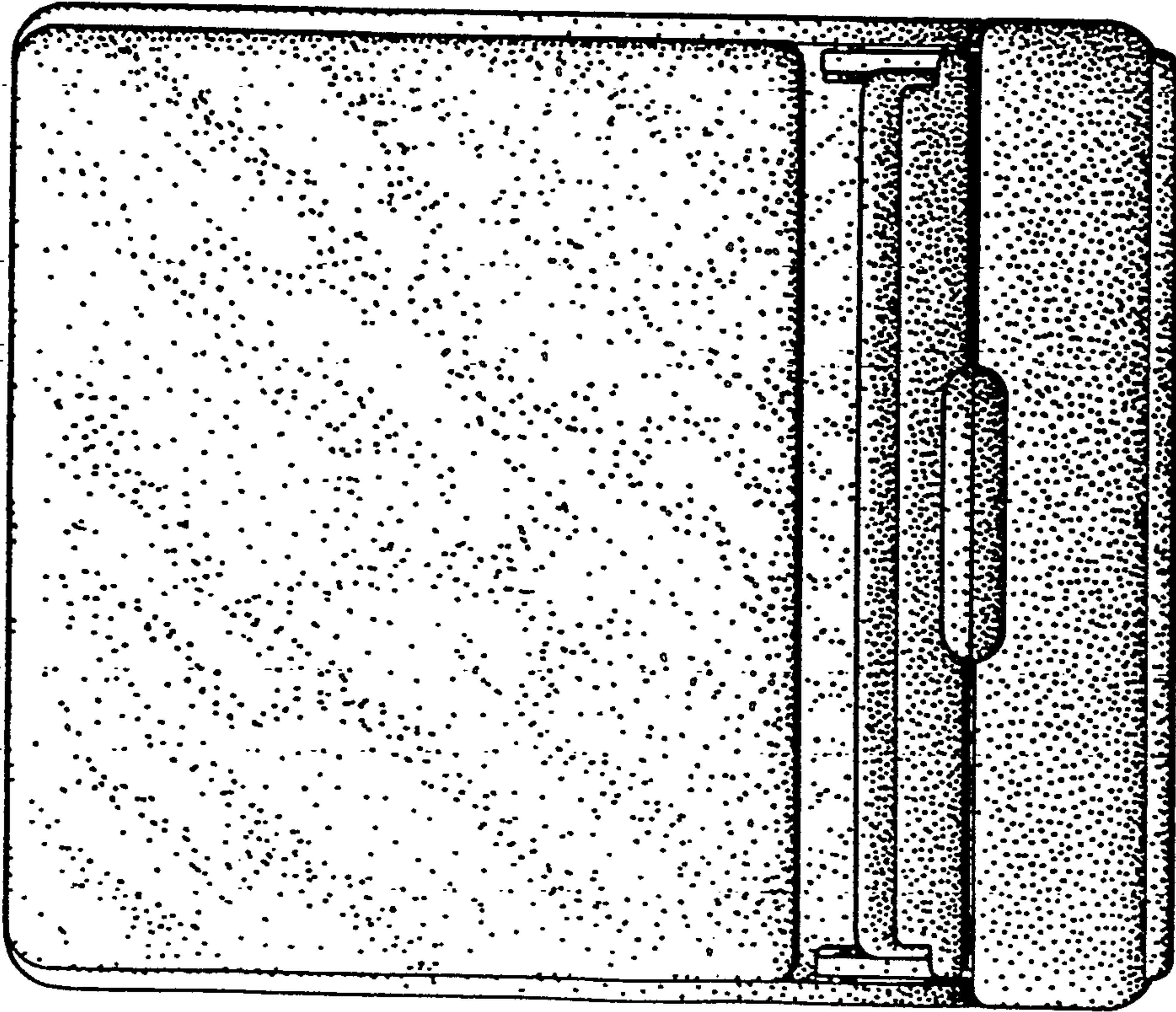


FIG. 4

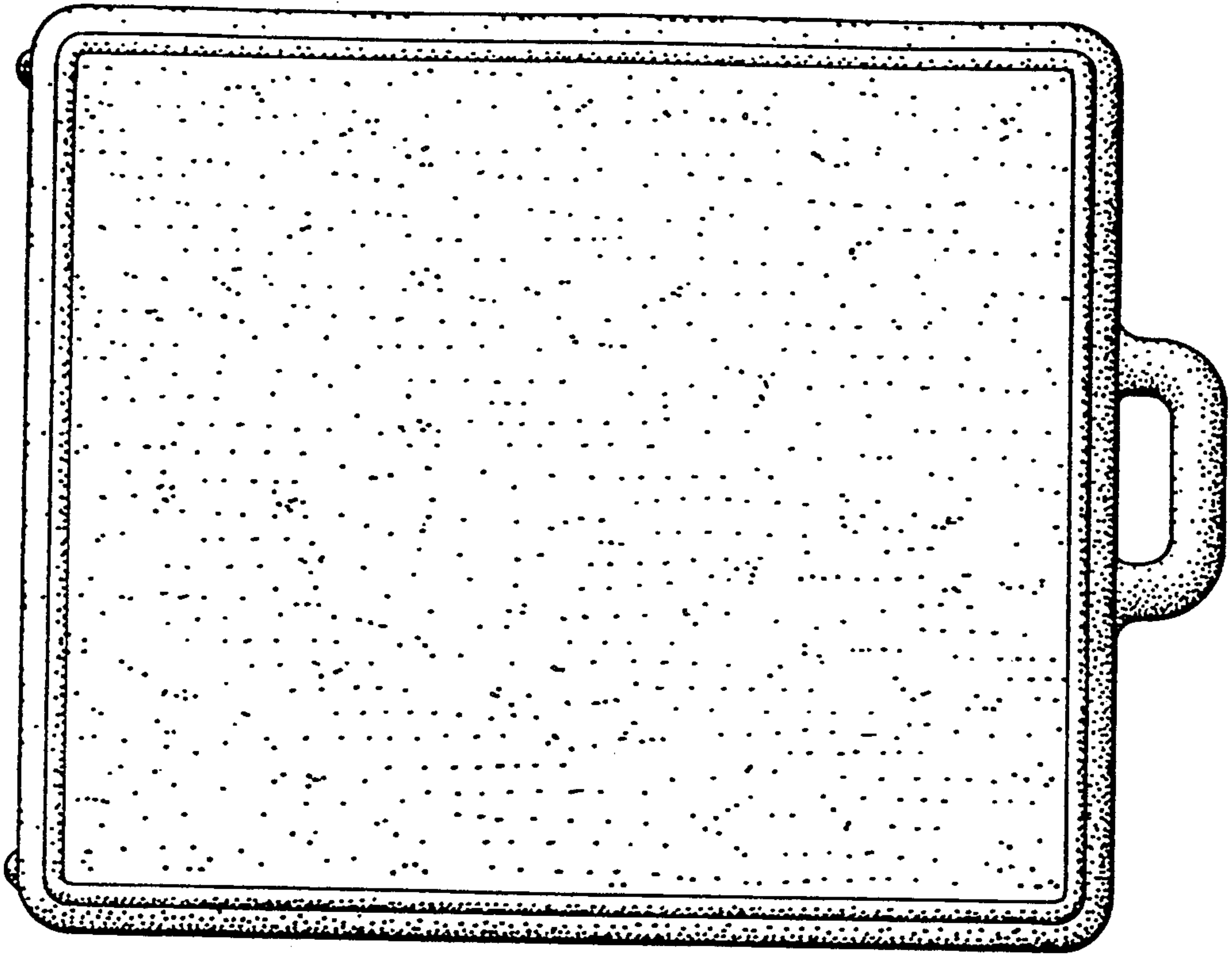


FIG. 6

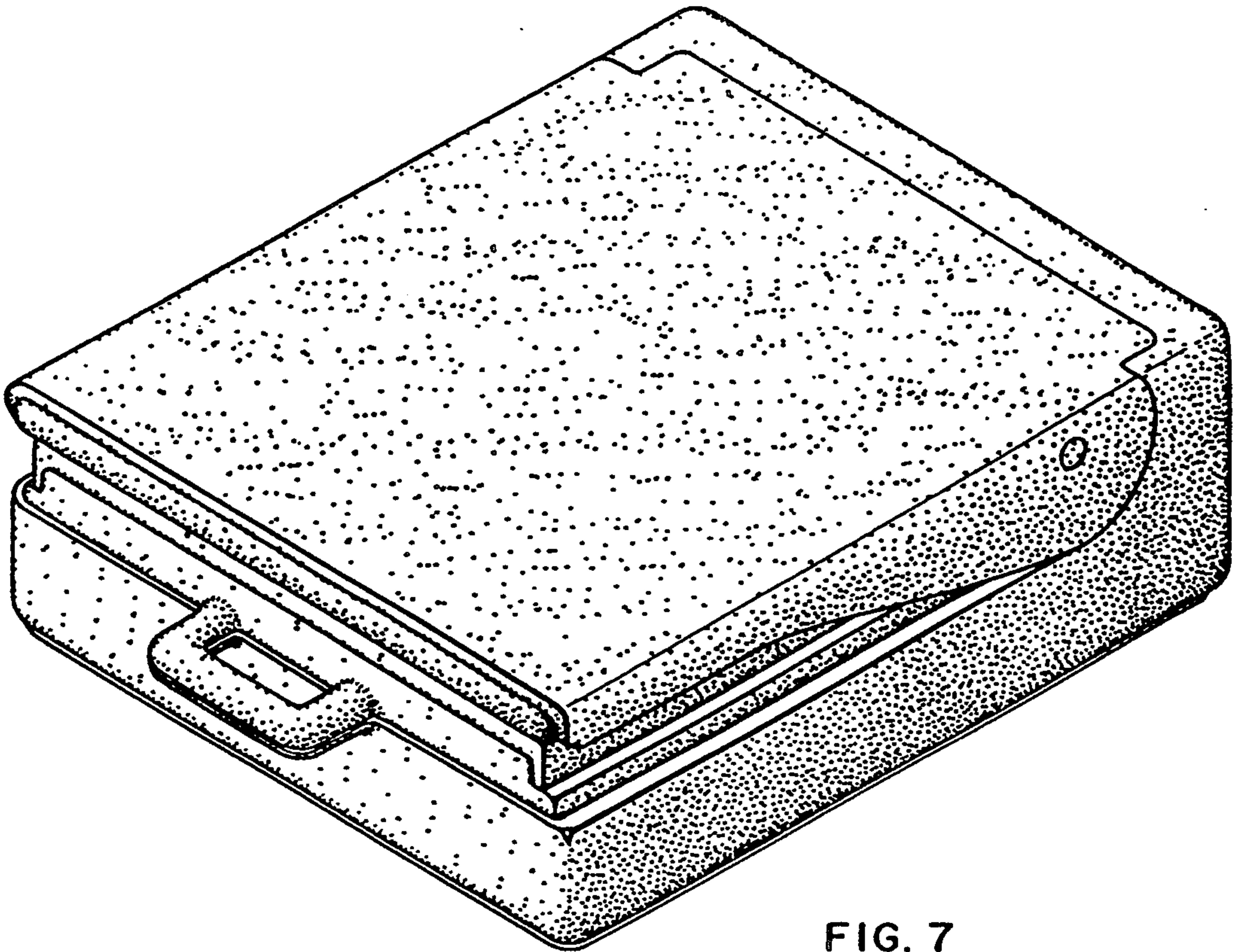


FIG. 7

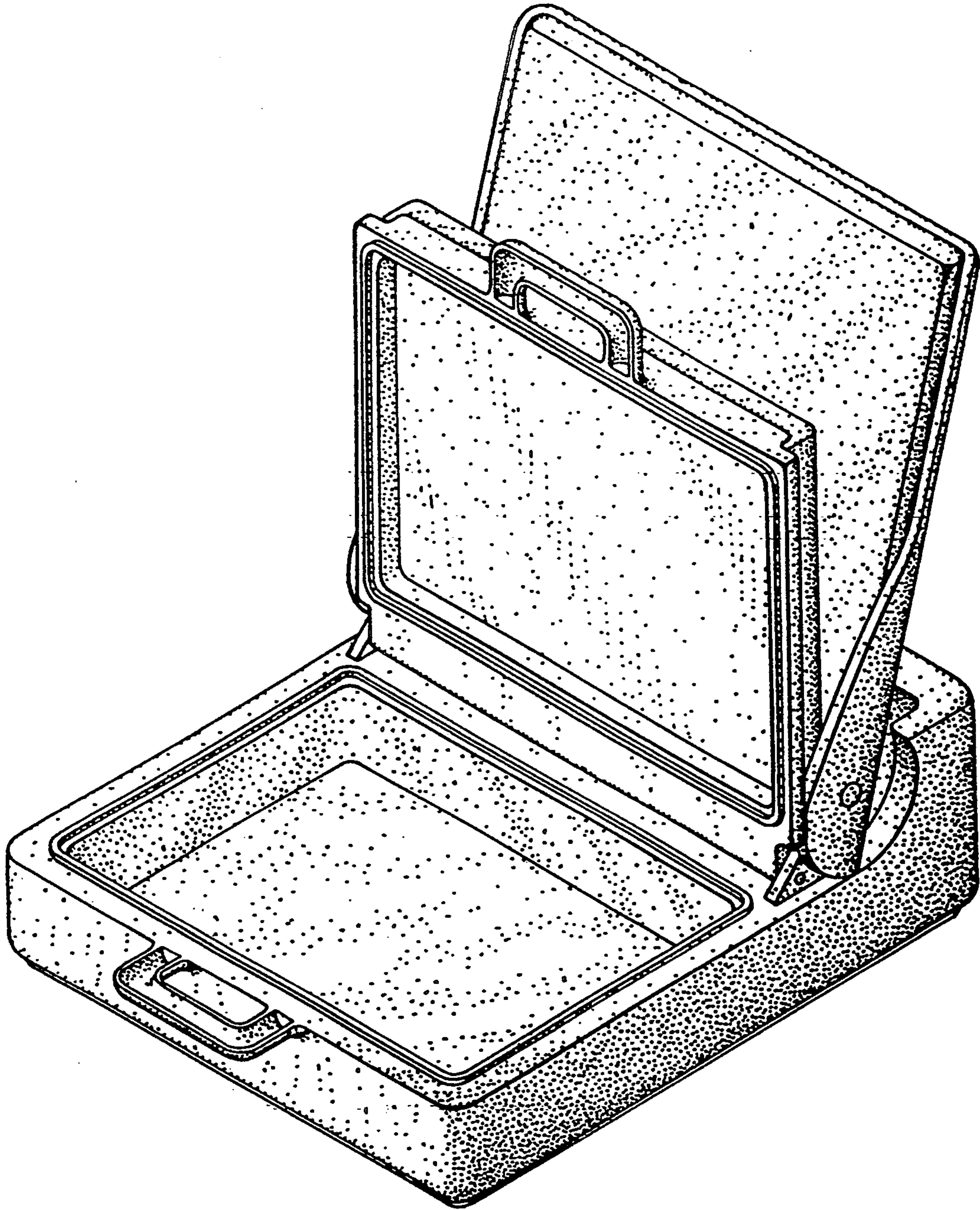


FIG. 8