



US00D330638S

United States Patent [19]

[11] Patent Number: **Des. 330,638**

Moschini

[45] Date of Patent: **** Nov. 3, 1992**

[54] ARMCHAIR

[75] Inventor: **Franco Moschini**, Tolentino, Italy
 [73] Assignee: **Poltrona Frau S.p.A.**, Tolentino, Italy
 [**] Term: **14 Years**
 [21] Appl. No.: **323,323**
 [22] Filed: **Mar. 14, 1989**

[30] Foreign Application Priority Data
 Sep. 14, 1988 [IT] Italy 21869/88[U]
 [52] U.S. Cl. **D6/334; D6/371**
 [58] Field of Search **D6/334, 364, 372, 374, D6/375, 500**

[56] References Cited

U.S. PATENT DOCUMENTS

D. 153,850 5/1949 Brazauski D6/374
 D. 284,812 7/1986 Culler D6/334 X
 D. 286,587 11/1986 Culler D6/334
 D. 293,395 12/1987 Hoffmann D6/334 X
 3,664,705 5/1972 Brody et al. D6/374 X

OTHER PUBLICATIONS

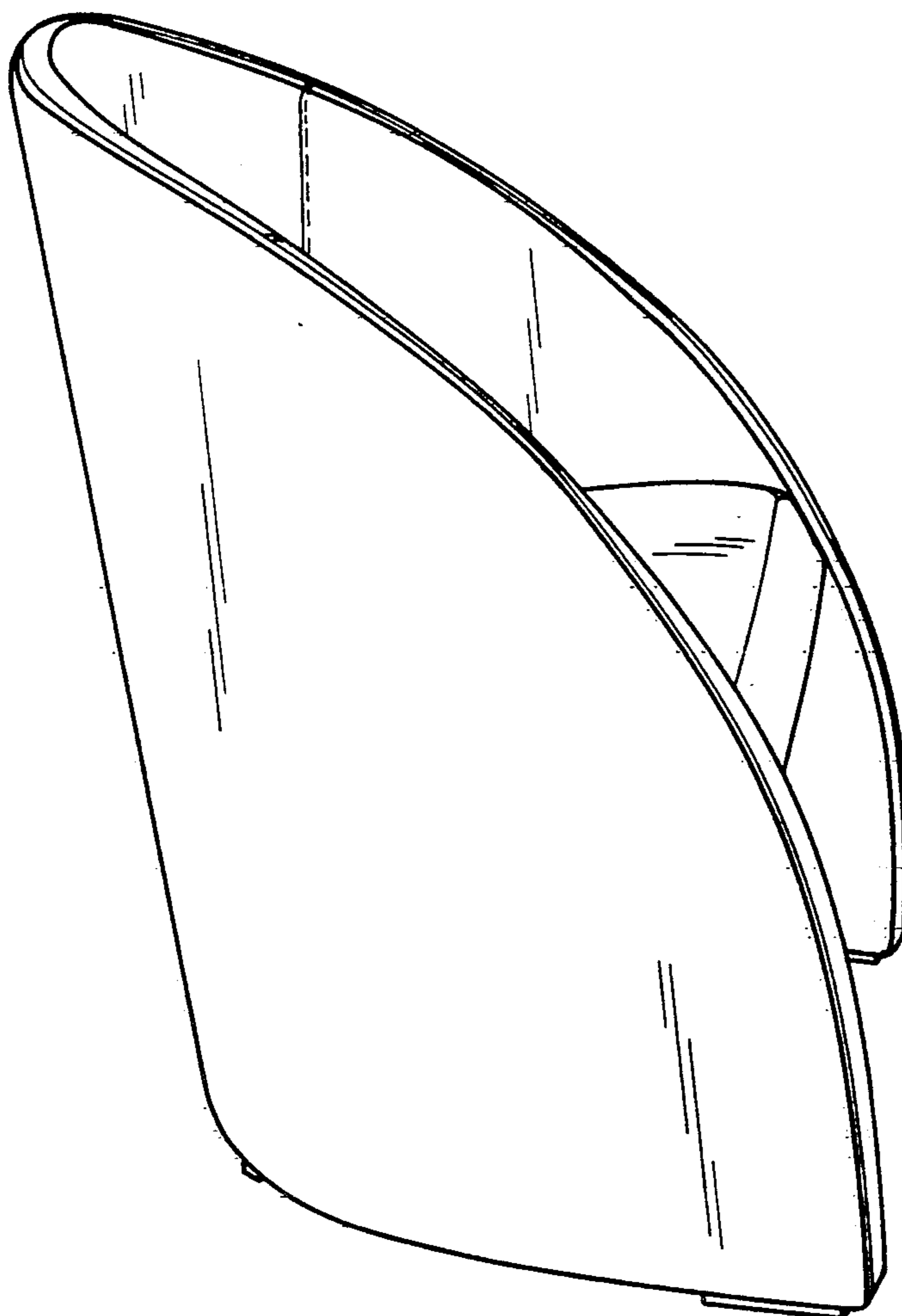
Carsons, Chair #37455.
Schoner Wohnen, May 1987, p. 175, Chair at bottom left.
Primary Examiner—Nelson C. Holtje
Assistant Examiner—Gary D. Watson
Attorney, Agent, or Firm—Peter K. Kontler

[57] CLAIM

The ornamental design for an armchair, as shown and described.

DESCRIPTION

FIG. 1 is a front elevational view of an armchair showing my new design;
 FIG. 2 is a top plan view;
 FIG. 3 is cross sectional view taken along line 3—3 of FIG. 1; and,
 FIG. 4 is a left side perspective view, the right side being a mirror image thereof.
 The broken line showings in FIGS. 1, 2 and 4 represent stitching.



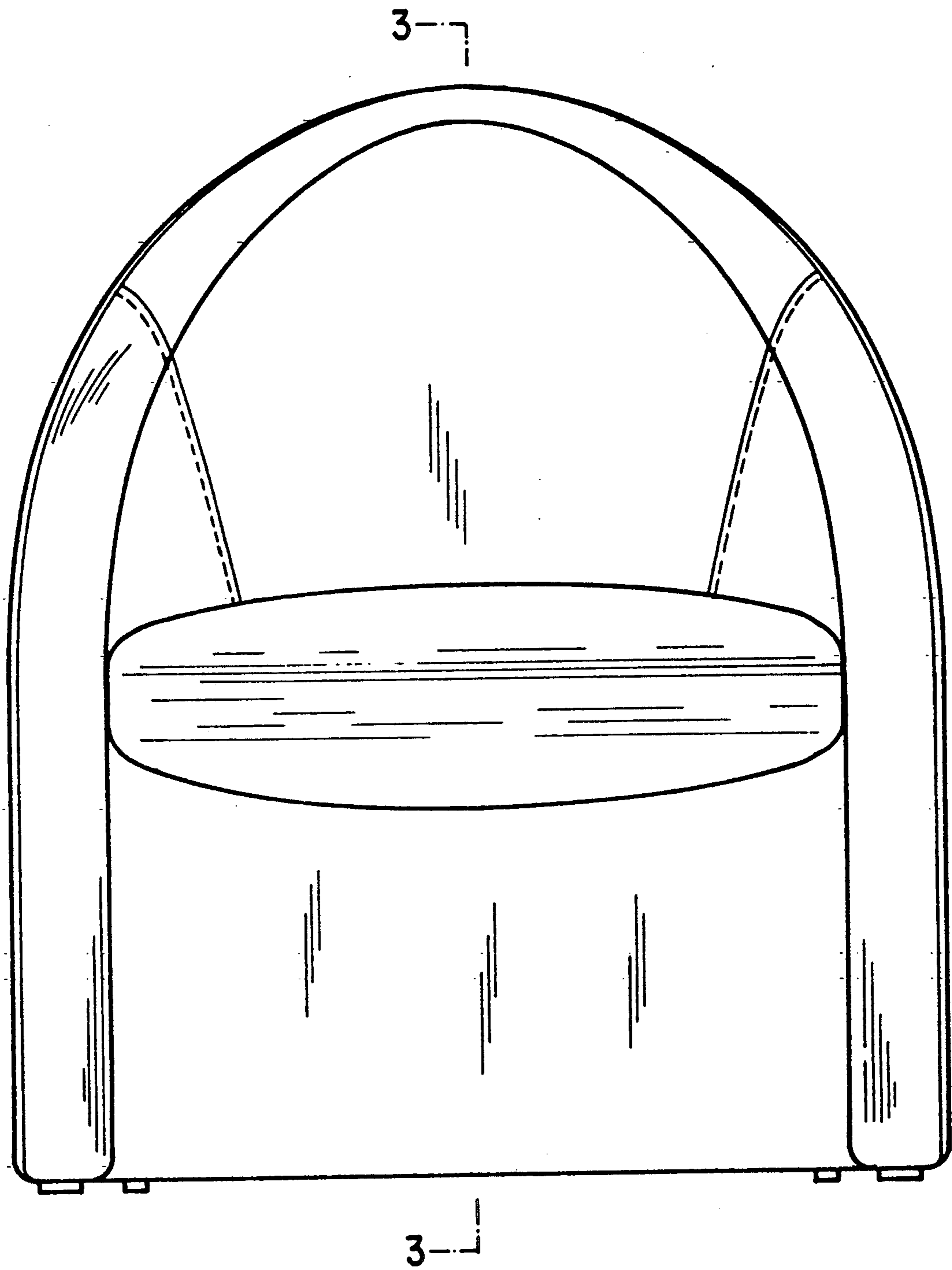


Fig. 1

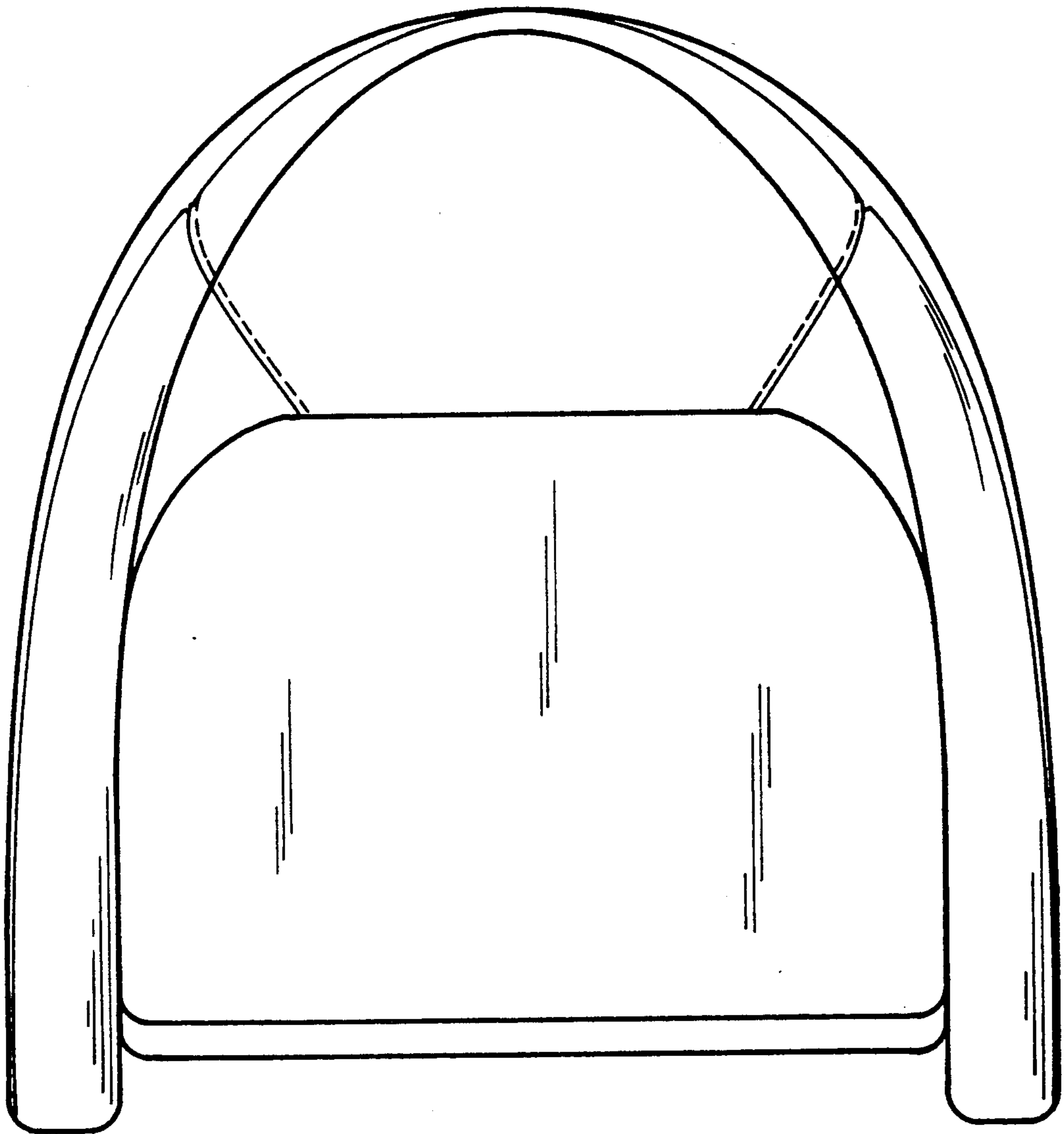


Fig. 2

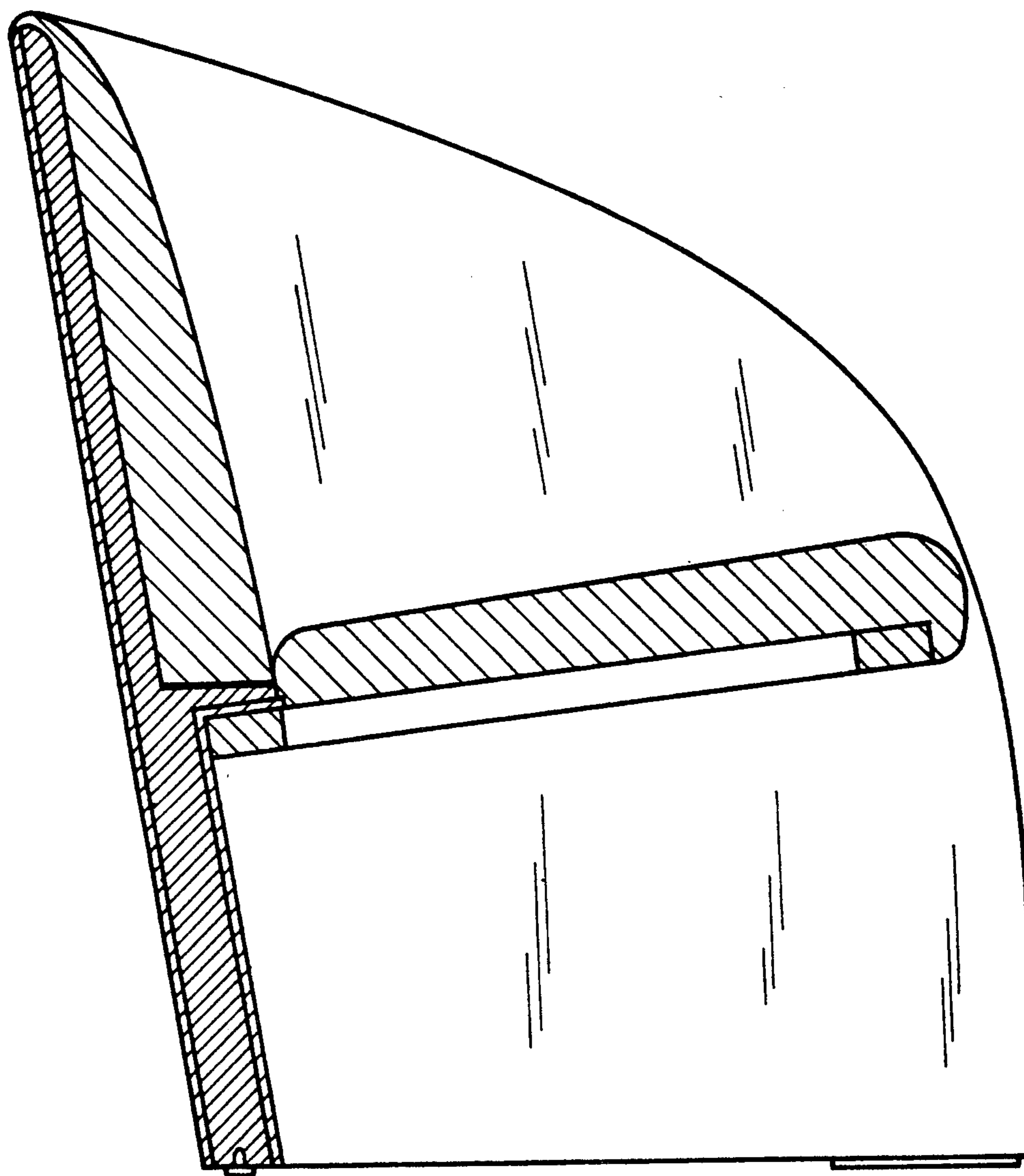


Fig. 3

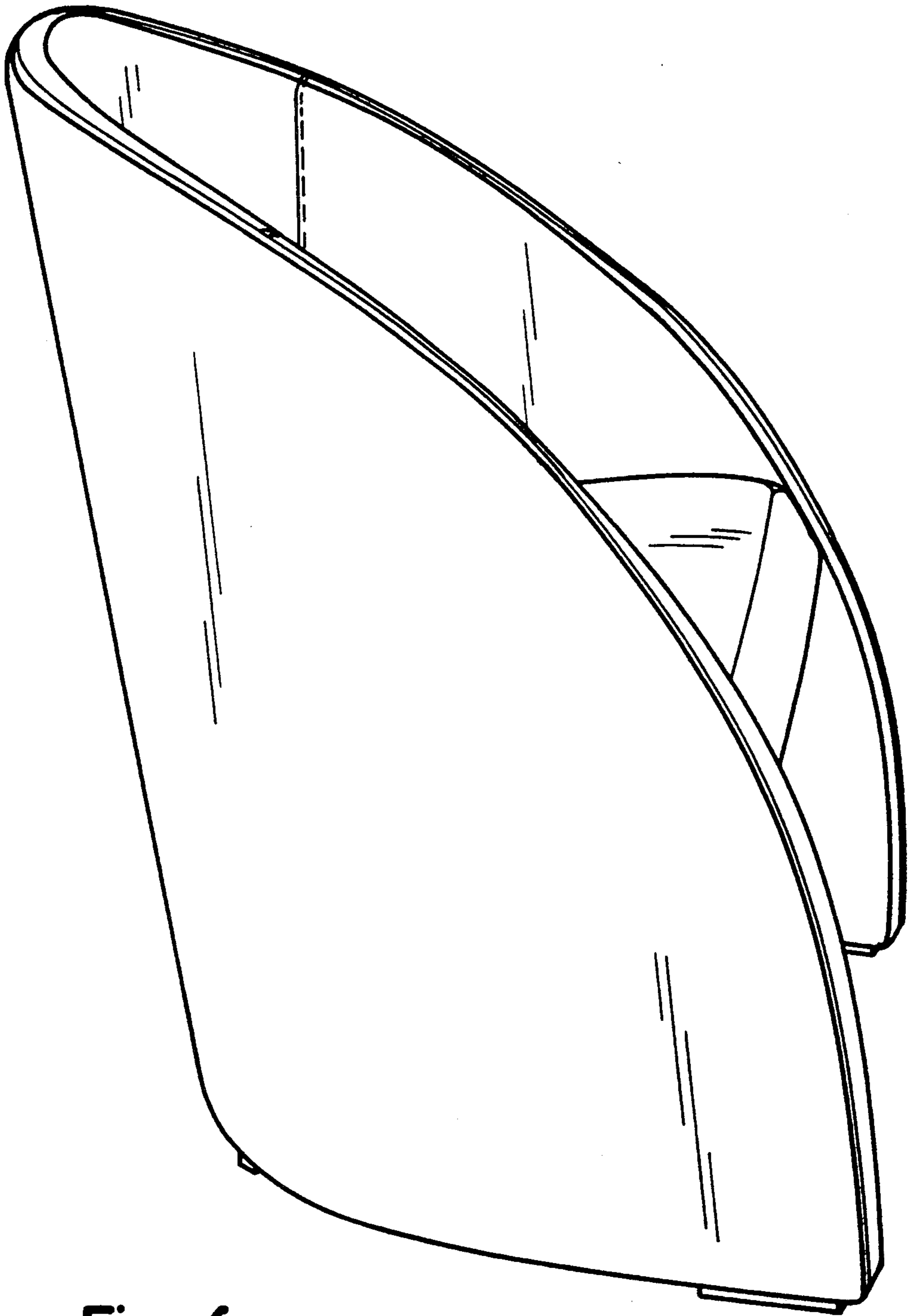


Fig. 4