



US00D330636S

United States Patent [19]
Sharpe

[11] **Patent Number: Des. 330,636**

[45] **Date of Patent: ** Nov. 3, 1992**

[54] **ROBE HOOK**

[76] **Inventor: Norton Sharpe, 10543 Garwood Pl., Los Angeles, Calif. 90024**

[**] **Term: 14 Years**

[21] **Appl. No.: 487,228**

[22] **Filed: Mar. 2, 1990**

[52] **U.S. Cl. D6/323; D8/367**

[58] **Field of Search D6/320, 323, 567; D8/367; 211/87; 248/304**

[56] **References Cited**

U.S. PATENT DOCUMENTS

D. 291,154 8/1987 Owen D6/323
2,679,998 6/1954 Keller 248/304

OTHER PUBLICATIONS

Hewi Hooks and Coat Hangers brochure; ©Jan. 1989; 2nd page; hook 520.70.0.

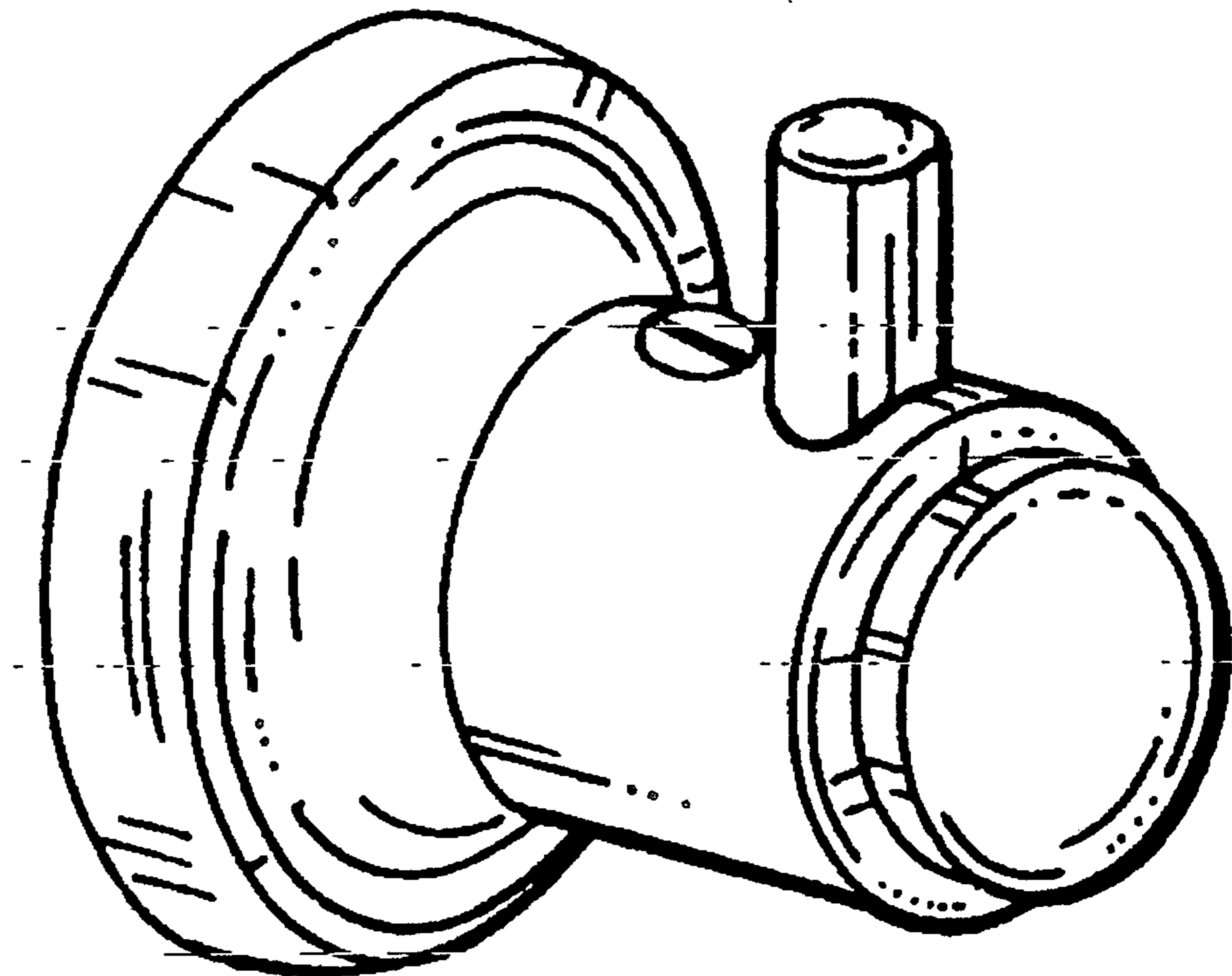
Primary Examiner—B. J. Bullock
Attorney, Agent, or Firm—Lewis Anten

[57] **CLAIM**

The ornamental design for a robe hook, as shown.

DESCRIPTION

FIG. 1 is a perspective view of the robe hook showing my new design;
FIG. 2 is a rear view thereof;
FIG. 3 is a left side view thereof, the right side being a mirror image;
FIG. 4 is a front view thereof;
FIG. 5 is a bottom view thereof; and,
FIG. 6 is a top view thereof.



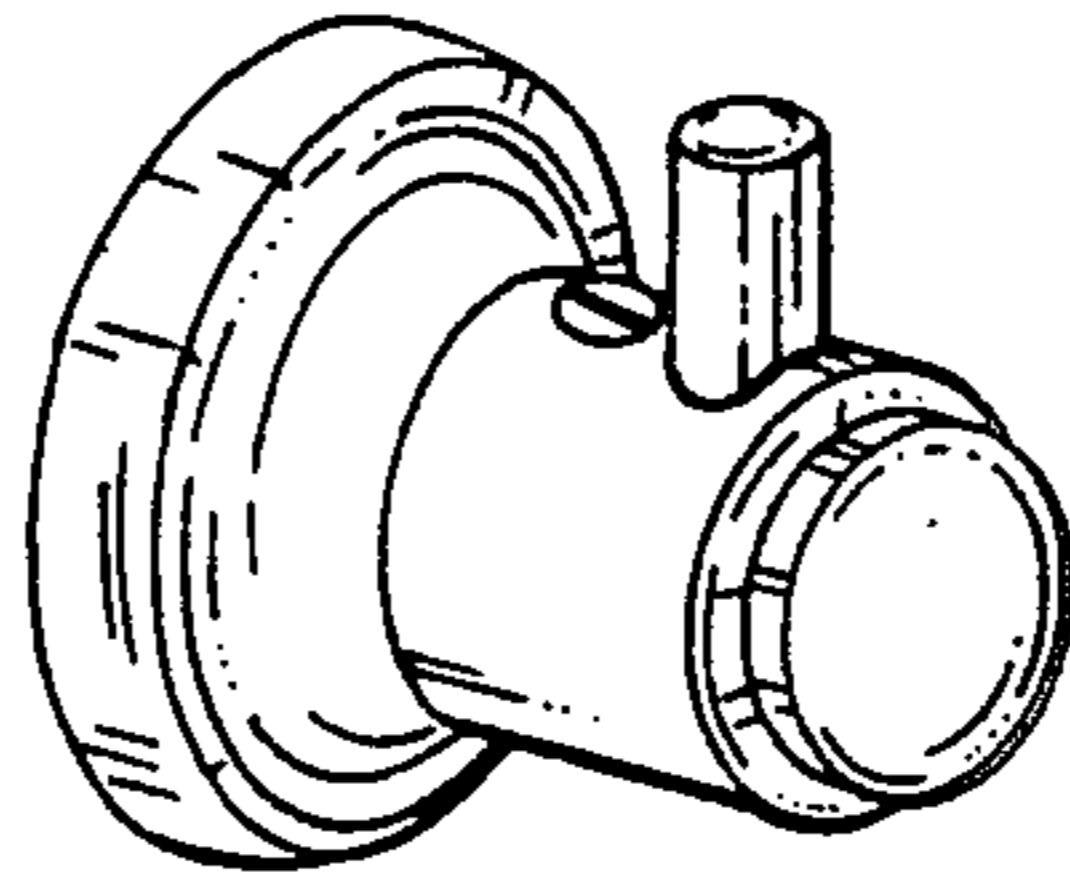


FIG. 1

FIG. 2

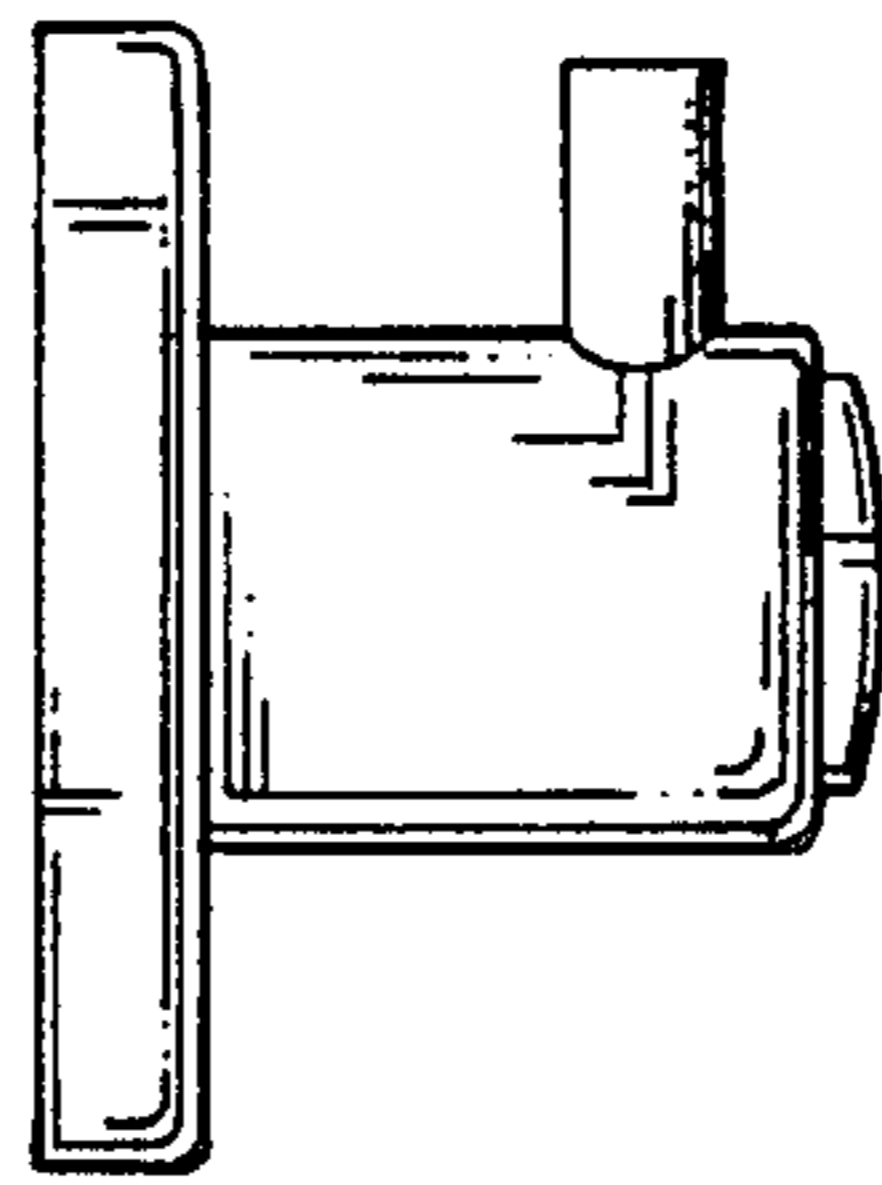
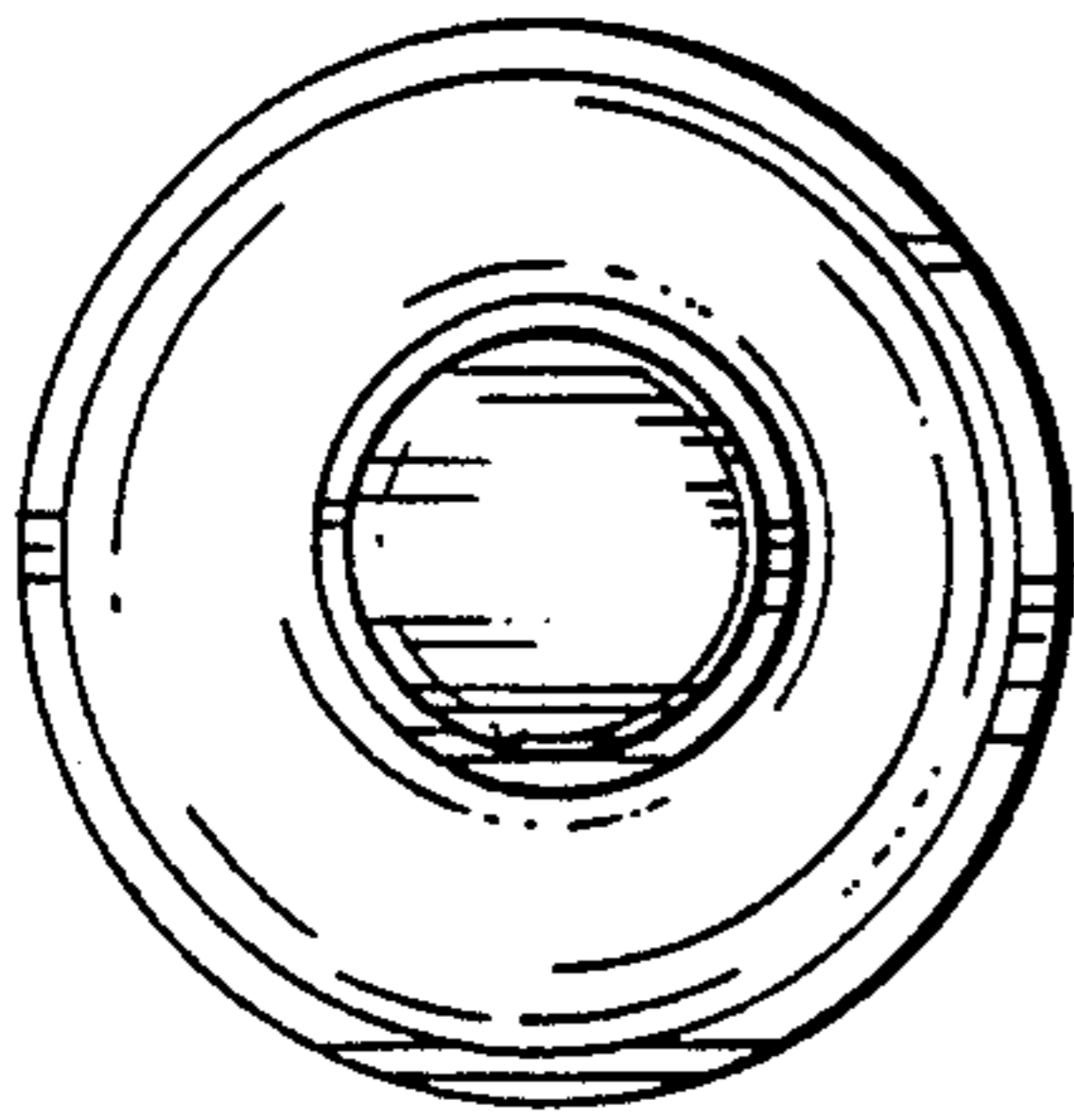


FIG. 3

FIG. 4

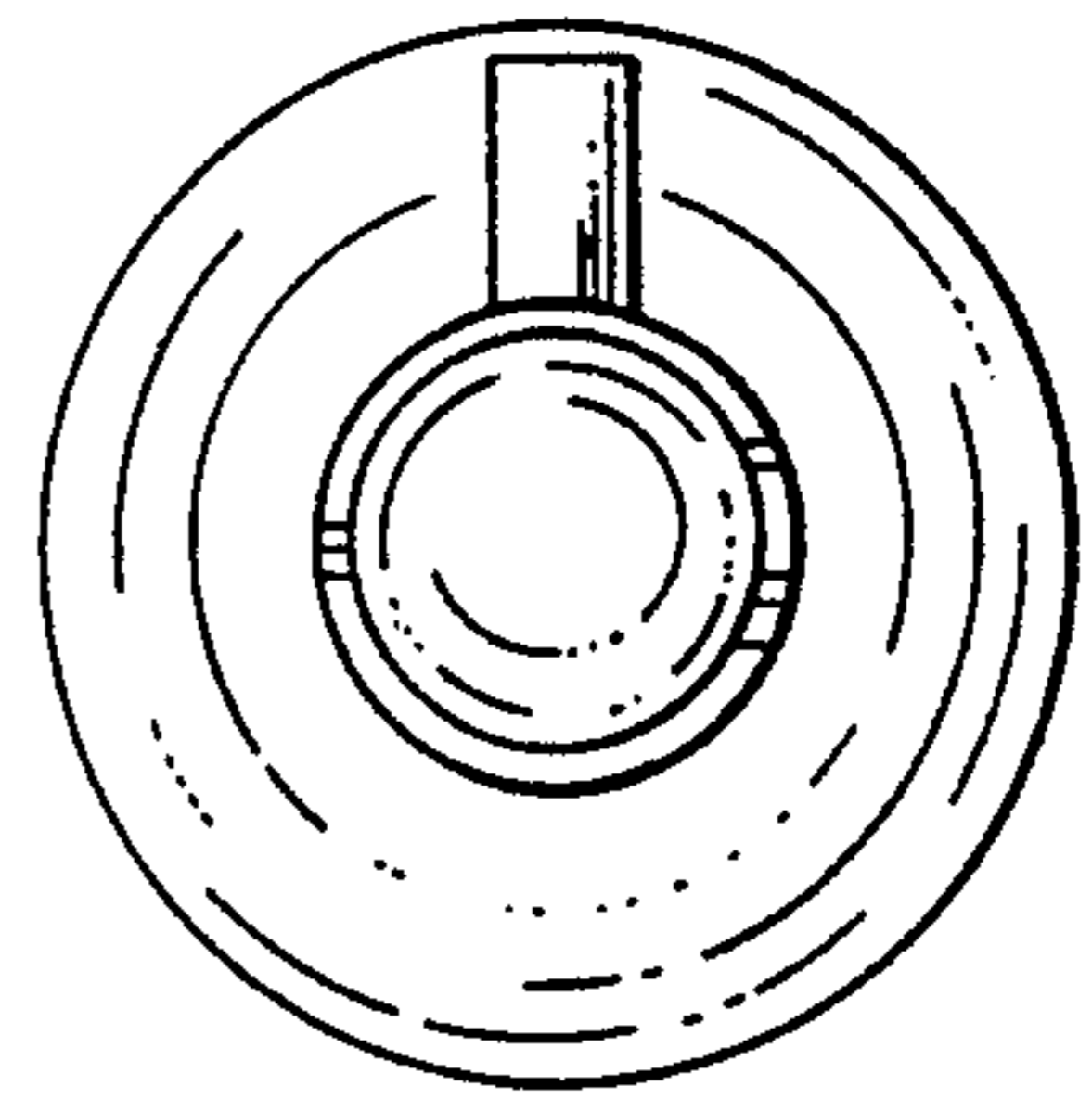


FIG. 5

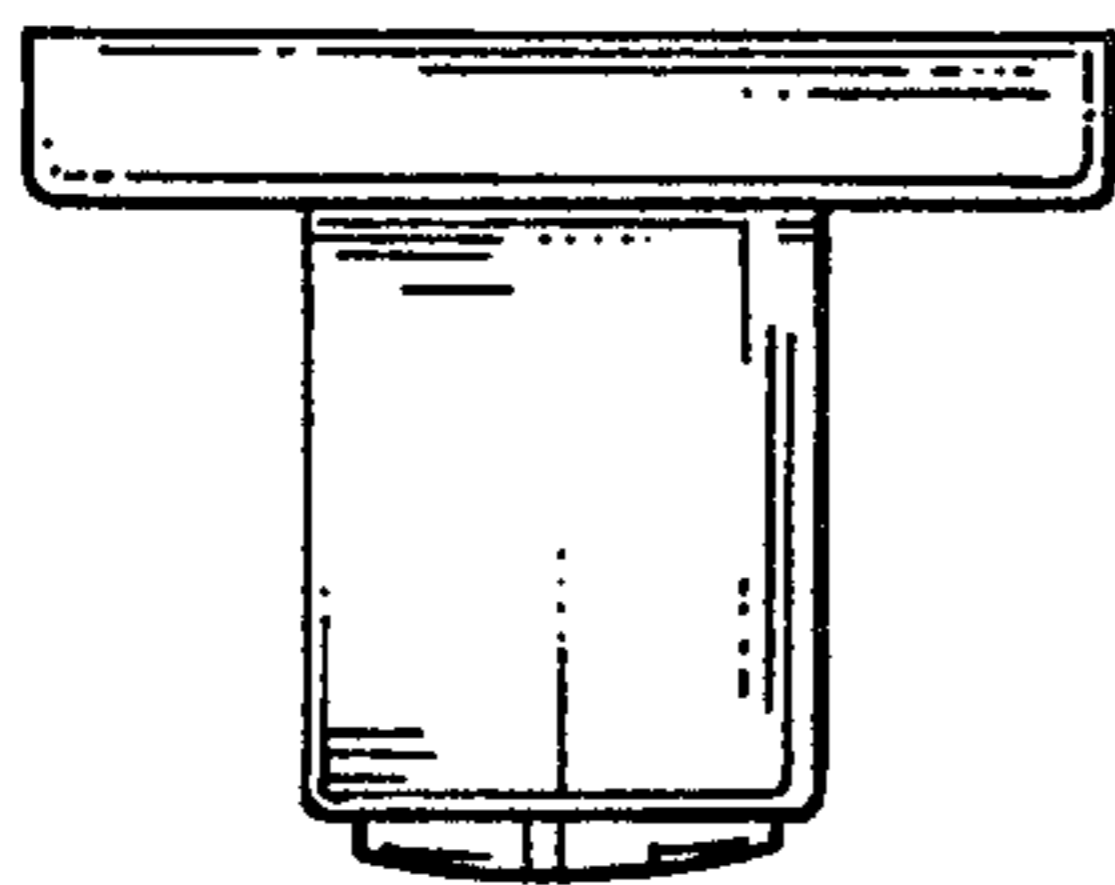


FIG. 6

