



US00D330621S

# United States Patent [19]

[11] Patent Number: Des. 330,621

Apps

[45] Date of Patent: \*\* Oct. 27, 1992

[54] NESTABLE CAN TRAY COLUMN  
 [75] Inventor: William P. Apps, Anaheim, Calif.  
 [73] Assignee: Rehrig-Pacific Company, Inc., Los Angeles, Calif.  
 [\*\*] Term: 14 Years  
 [21] Appl. No.: 651,648  
 [22] Filed: Feb. 6, 1991

2,928,530 3/1960 Sauey .  
 2,970,715 2/1961 Kappel et al. .  
 3,009,579 11/1961 Ettlinger, Jr. .  
 3,052,373 9/1962 Frater .  
 3,055,542 9/1962 Russo .  
 3,104,044 9/1963 Reifers .  
 3,120,322 2/1964 Henninger .  
 3,151,762 10/1964 Vidal .  
 3,203,583 8/1965 Amberg et al. .  
 3,219,233 11/1965 Whiteford .  
 3,270,913 9/1966 Bridenstine et al. .  
 3,319,799 5/1967 Paxton .  
 3,420,402 1/1969 Frater et al. .  
 3,547,309 12/1970 Pusey .  
 3,643,812 2/1972 Mander et al. .  
 3,759,416 9/1973 Constantine .  
 3,765,592 10/1973 Chadbourne .  
 3,812,996 5/1974 Bunnell .  
 3,825,126 7/1974 Pohl et al. .  
 3,840,115 10/1974 Ladewig .  
 3,865,239 2/1975 Herolzer et al. .  
 3,904,030 9/1975 Repp et al. .  
 3,905,510 9/1975 Johnson .  
 4,011,948 3/1977 Rehrig et al. .... 206/507  
 4,027,796 6/1977 Martin .  
 4,095,720 6/1978 Delbrouck et al. .  
 4,098,403 7/1978 Davis .  
 4,205,749 6/1980 Carroll et al. .  
 4,256,224 3/1981 Hirota .  
 4,304,334 12/1981 Hirota .  
 4,316,540 2/1982 Lapham .  
 4,319,685 3/1982 David .  
 4,344,530 8/1982 deLarosiere .  
 4,410,099 10/1986 deLarosiere .  
 4,416,374 11/1983 Smith et al. .  
 4,588,095 5/1986 Mehra .  
 4,615,444 10/1966 deLarosiere .  
 4,700,836 10/1987 Hammett .  
 4,773,554 9/1988 Warwick ..... 206/503 X  
 4,823,955 4/1989 Apps .  
 4,899,874 2/1990 Apps et al. .  
 4,911,300 3/1990 Colonna .  
 4,928,841 5/1990 Arthurs .  
 4,932,532 6/1990 Apps .  
 4,978,002 12/1990 Apps et al. .  
 5,009,053 4/1991 Langenbeck .  
 5,060,819 10/1991 Apps ..... 206/203 X

### Related U.S. Application Data

[62] Division of Ser. No. 528,965, May 25, 1990, which is a division of Ser. No. 357,068, May 23, 1989, Pat. No. Des. 317,670.  
 [52] U.S. Cl. .... D34/40  
 [58] Field of Search ..... D34/40-46; D9/341, 424, 425; 206/499, 503, 505, 506, 511, 512, 518, 519, 203; 220/1.5, 23.6, 4 C, 509, 516, 507, DIG. 2, DIG. 15, 906

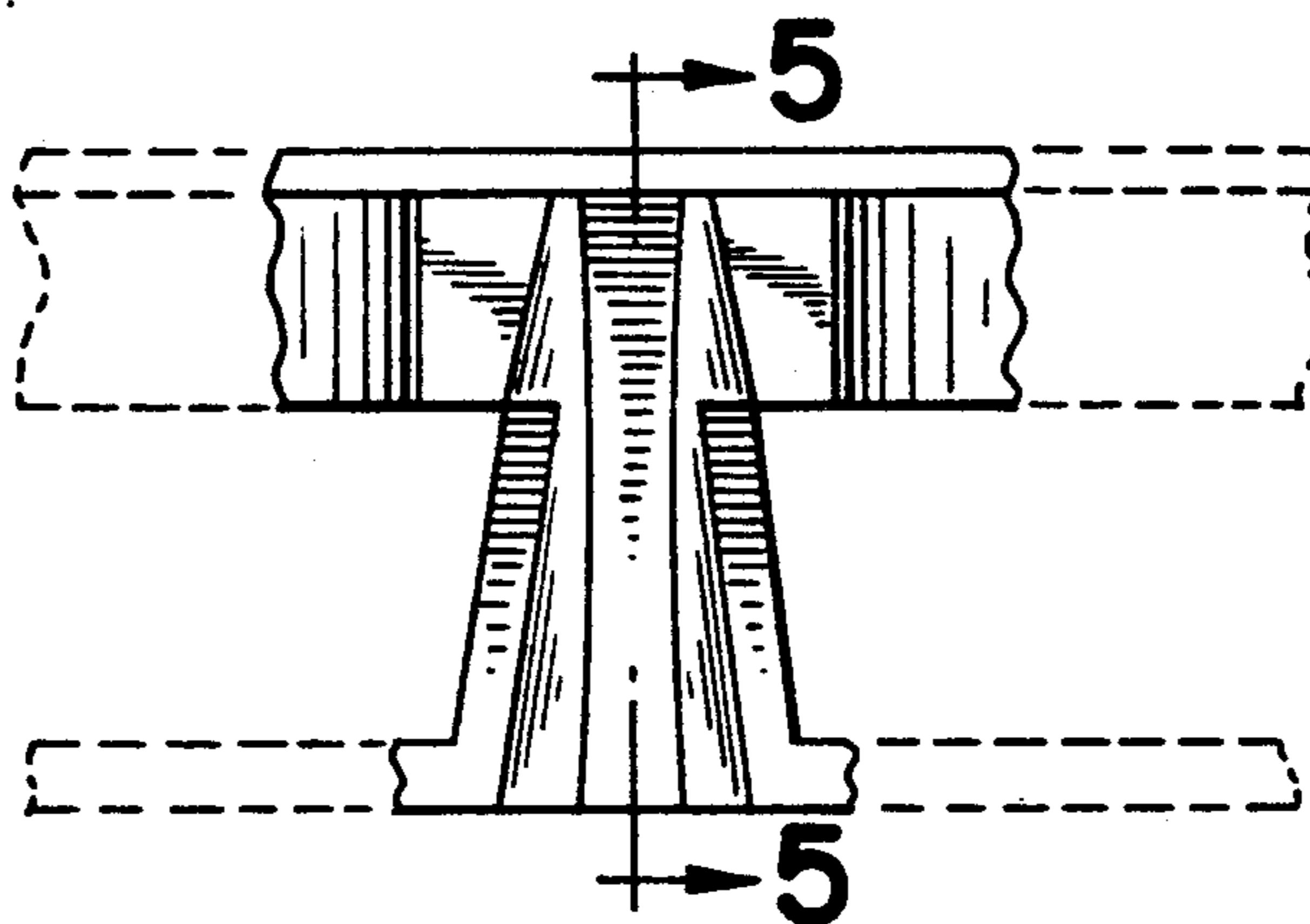
### References Cited

#### U.S. PATENT DOCUMENTS

D. 152,907 3/1949 Richards .  
 D. 197,311 1/1964 Spaak .  
 D. 198,594 7/1964 Casteliano .  
 D. 199,272 9/1964 Smith .  
 D. 201,257 6/1965 Vidal .  
 D. 202,826 11/1965 Weiss .  
 D. 208,111 7/1967 Vidal .  
 D. 255,097 5/1980 Carroll et al. .... D34/40  
 D. 258,050 1/1981 Cornou .  
 D. 284,841 7/1986 Rowland et al. .  
 D. 304,123 10/1989 Warwick .  
 D. 313,493 1/1991 Apps et al. .  
 D. 317,670 6/1991 Apps .  
 D. 318,552 7/1991 Apps ..... D9/341 X  
 D. 319,129 8/1991 Apps et al. .... D34/40  
 D. 319,908 9/1991 Stahl ..... D34/40  
 D. 325,279 4/1992 Apps .  
 820,445 5/1906 Speer .  
 2,235,709 3/1941 Hearn et al. .  
 2,535,493 12/1950 Gerber .  
 2,626,079 1/1953 Keller .  
 2,743,030 4/1956 Read, Jr. .  
 2,813,656 11/1957 Anderson .  
 2,879,886 3/1959 Crane .  
 2,886,202 5/1959 Waller .

#### FOREIGN PATENT DOCUMENTS

636543 9/1963 Belgium .



2813364 10/1979 Fed. Rep. of Germany .  
1255160 1/1961 France .  
1316593 12/1962 France .  
1474782 4/1968 France .  
2223248 6/1974 France .  
2547561 12/1984 France .  
2591453 6/1987 France .  
WO82/01536 5/1982 PCT Int'l Appl. .  
WO90/15758 12/1990 PCT Int'l Appl. .  
573850 2/1976 Switzerland .  
943947 of 1963 United Kingdom .  
1032916 6/1966 United Kingdom .  
1330778 9/1973 United Kingdom .  
2035267 6/1980 United Kingdom .  
1592247 7/1981 United Kingdom .  
2135278A 8/1984 United Kingdom .

*Primary Examiner*—Bernard Ansher  
*Assistant Examiner*—Prabhakar Deshmukh

*Attorney, Agent, or Firm*—Banner, Birch, McKie & Beckett

[57] **CLAIM**

The ornamental design for a nestable can tray column, as shown and described.

**DESCRIPTION**

FIG. 1 is a top plan view of a nestable can tray column showing my new design;

FIG. 2 is an enlarged scale front elevational view thereof, taken along line 2—2 of FIG. 1;

FIG. 3 is an enlarged scale rear elevational view thereof; taken along line 3—3 of FIG. 1;

FIG. 4 is an enlarged scale bottom plan view thereof; and,

FIG. 5 is a sectional elevational view thereof; taken along lines 5—5 of FIG. 2.

The broken line showing of a structure is for environmental purpose only and forms no part of the claim.

FIG. 1

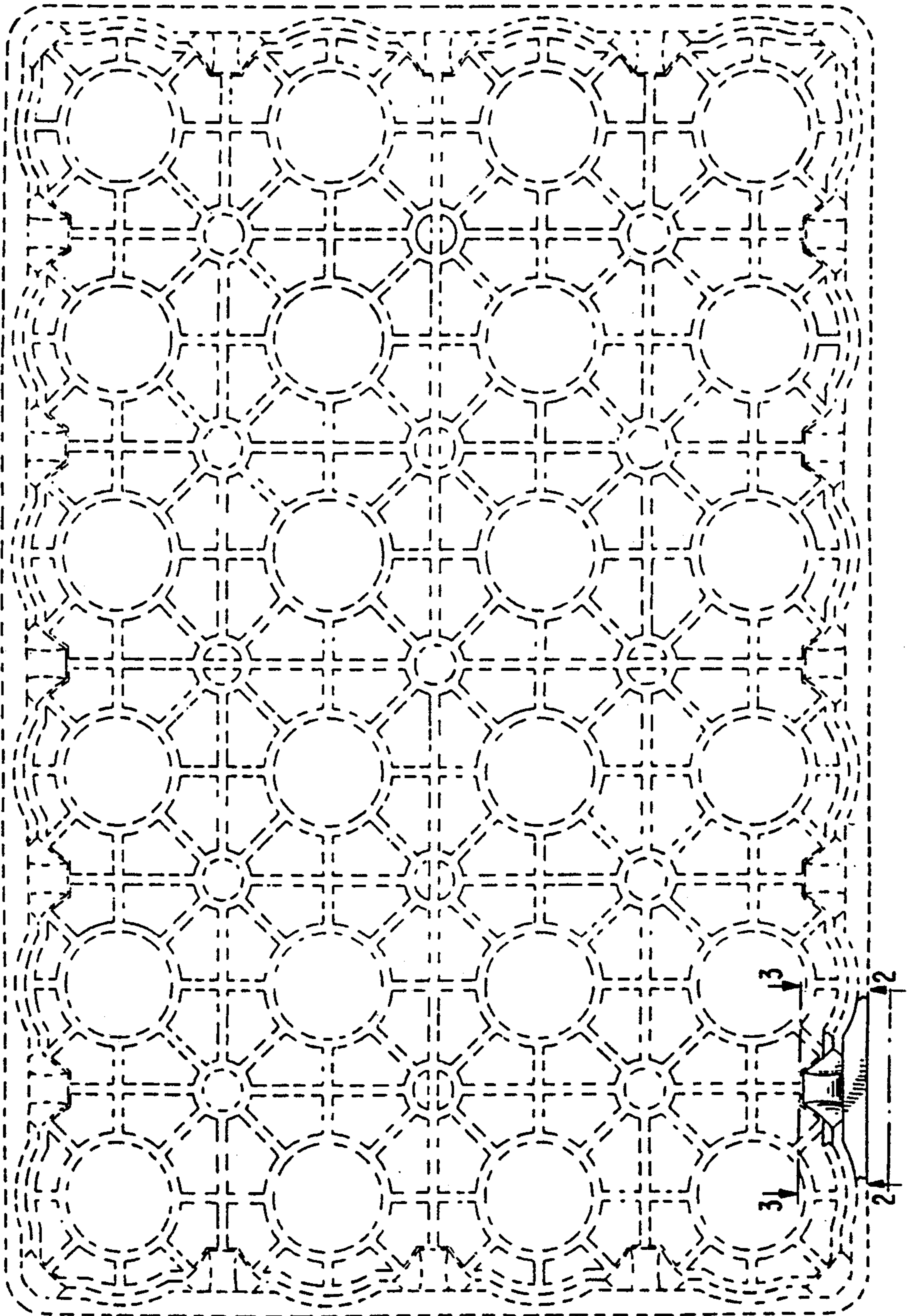




FIG. 3

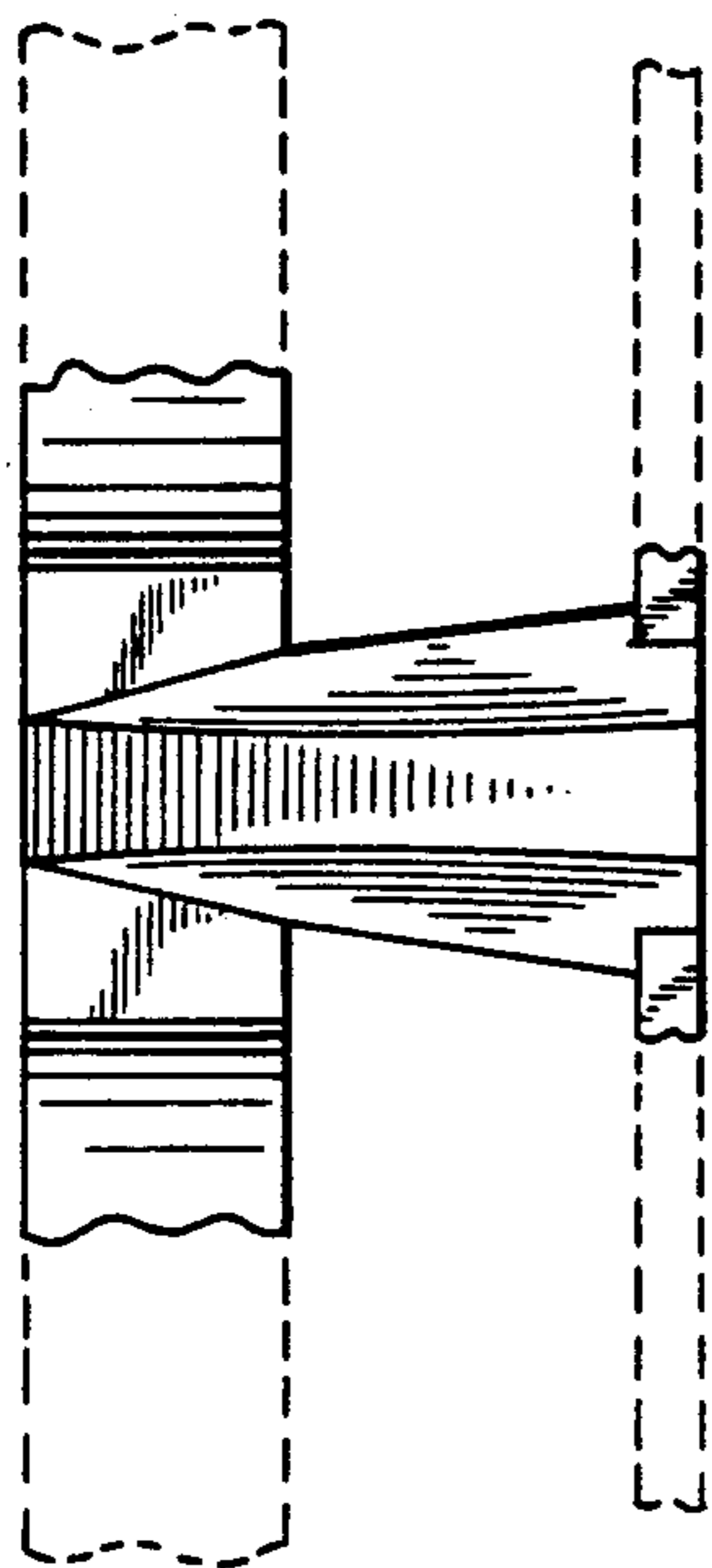


FIG. 2

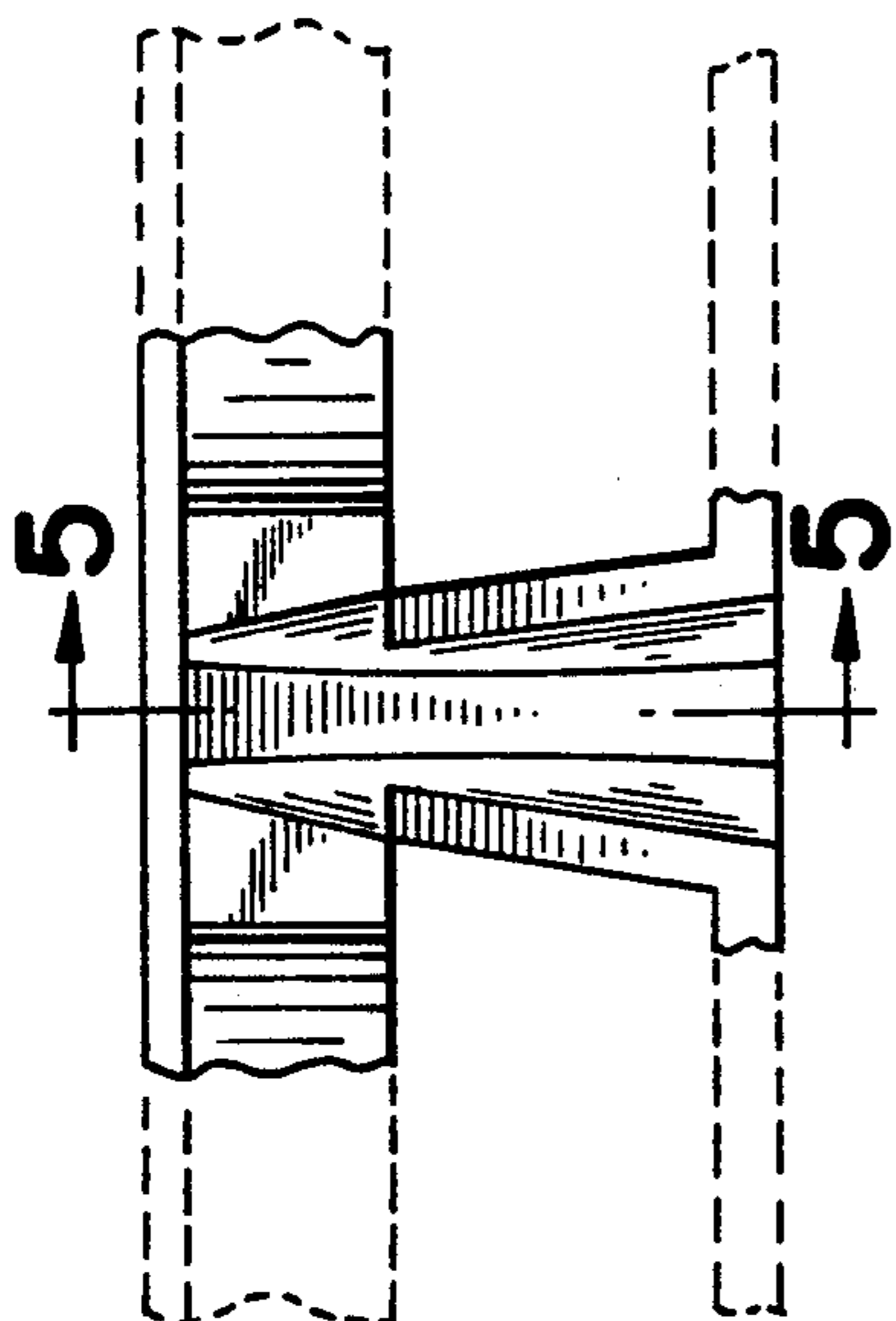


FIG. 5

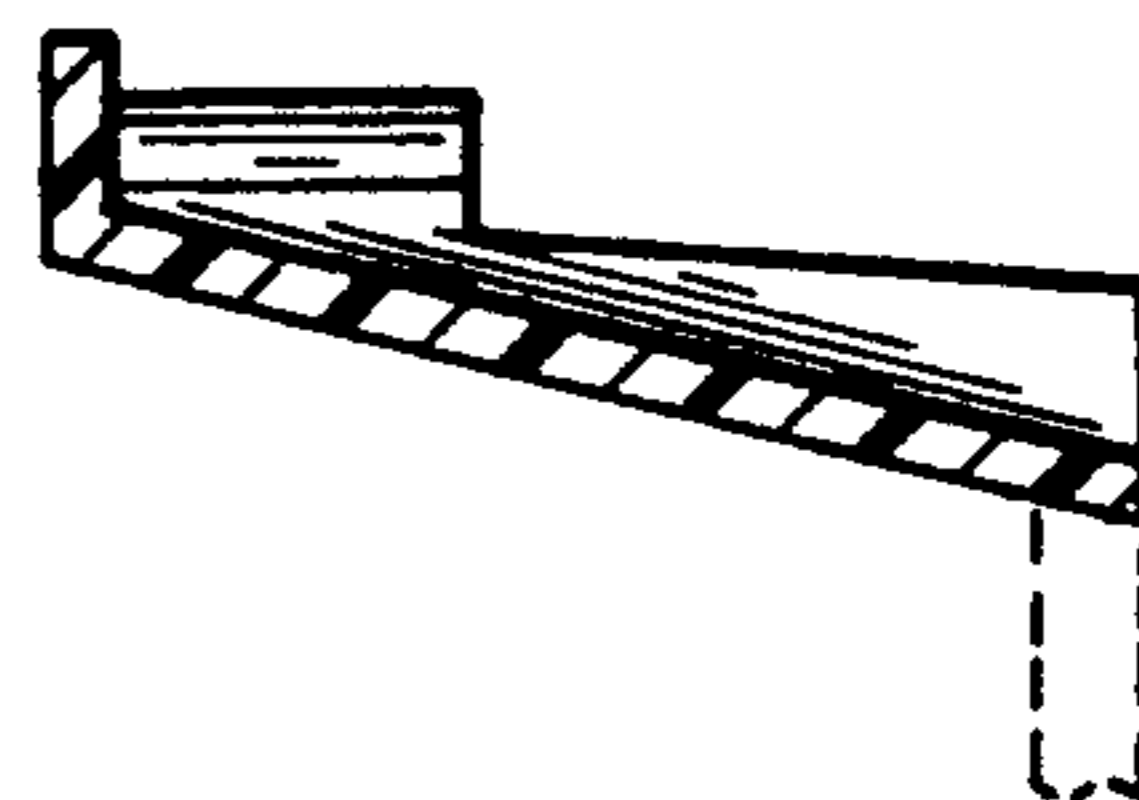


FIG. 4

