



US00D330618S

United States Patent [19]

[11] Patent Number: **Des. 330,618**

Browning et al.

[45] Date of Patent: **** Oct. 27, 1992**

[54] **MULTIPLE COMPARTMENT TRASH CONTAINER**

4,801,034	1/1989	Sandomeno	220/23.83
4,893,719	1/1990	Lombardi et al.	220/909
4,893,722	1/1990	Jones	220/908
4,988,010	1/1991	Pollak	220/23.83

[76] Inventors: **Kevin Browning**, 3263 Birney Ave., Scranton, Pa. 18505; **Paul Finnerty**, 220 Pittston Ave., Scranton, Pa. 18505

Primary Examiner—Kay H. Chin
Attorney, Agent, or Firm—Terry M. Gernstein

[**] Term: **14 Years**

[57] **CLAIM**

[21] Appl. No.: **565,754**

The ornamental design for a multiple compartment trash container, as shown and described.

[22] Filed: **Aug. 13, 1990**

DESCRIPTION

[52] U.S. Cl. **D34/7; D34/1**

[58] Field of Search **D34/1, 7, 11; 220/908, 220/909, 910, 23.83, 23.4, 500, 521, 523; 232/1 R, 43.2; 312/211**

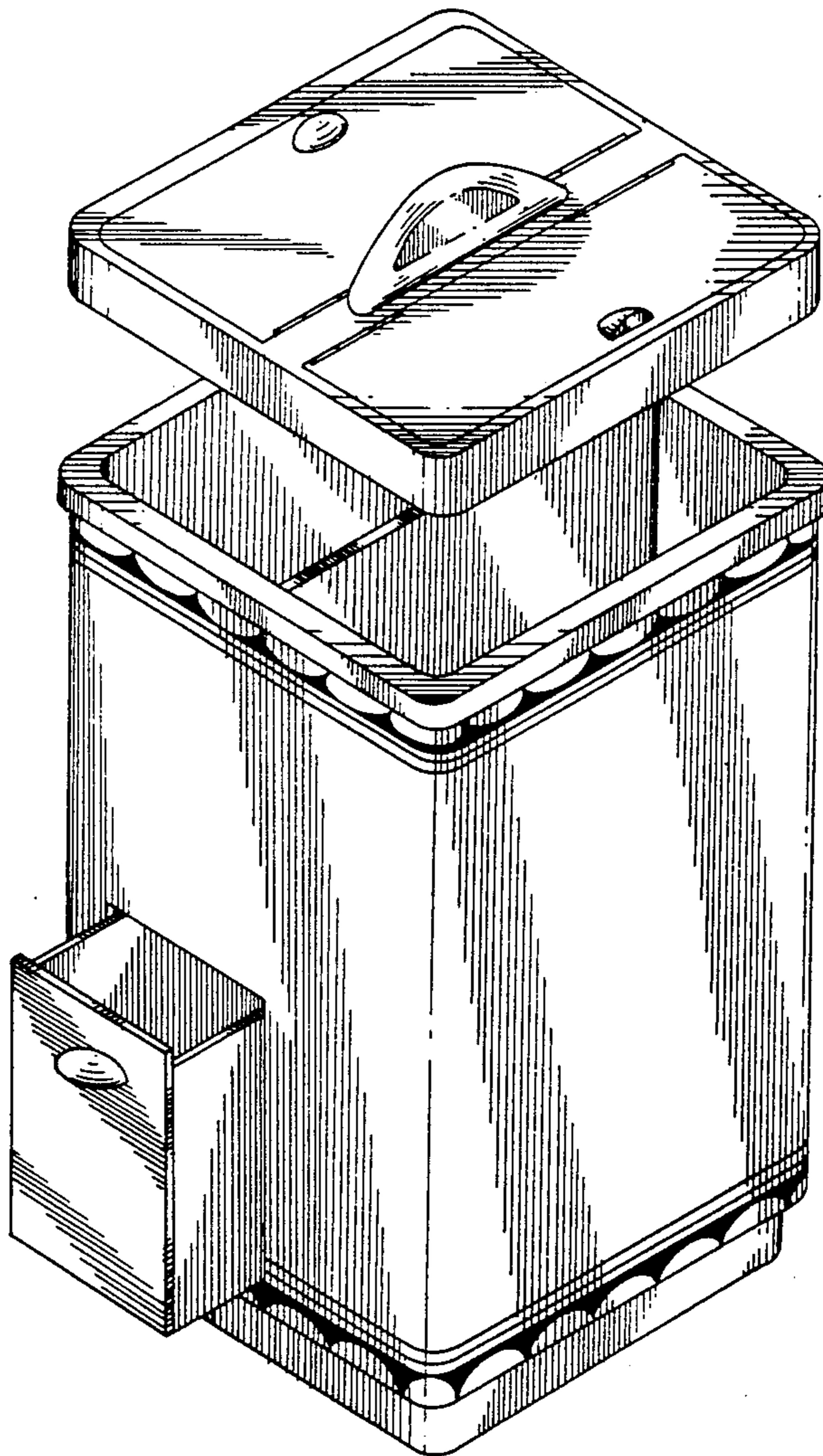
FIG. 1 is an exploded top perspective view of a multiple compartment trash container showing our new design; FIG. 2 is a front elevational view thereof, the rear being identical to the front with the exception of the lower drawer;

[56] **References Cited**

U.S. PATENT DOCUMENTS

3,893,615	7/1975	Johnson	232/43.2
4,729,489	3/1988	Papaianni	220/23.8

FIG. 3 is a left side elevational view thereof; FIG. 4 is a right side elevational view thereof; and, FIG. 5 is a top plan view thereof. The undisclosed bottom is flat and unornamented.



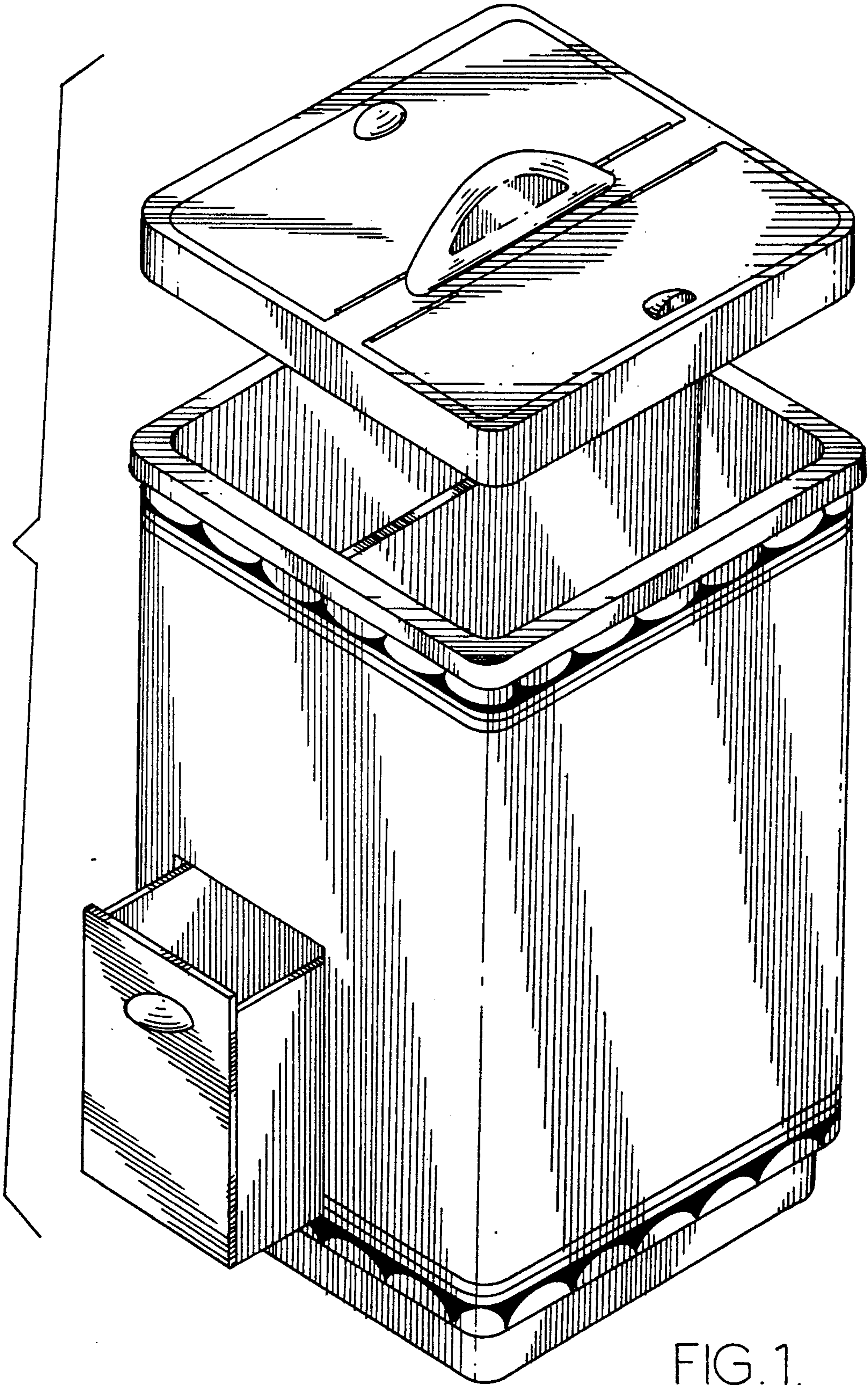


FIG. 1.

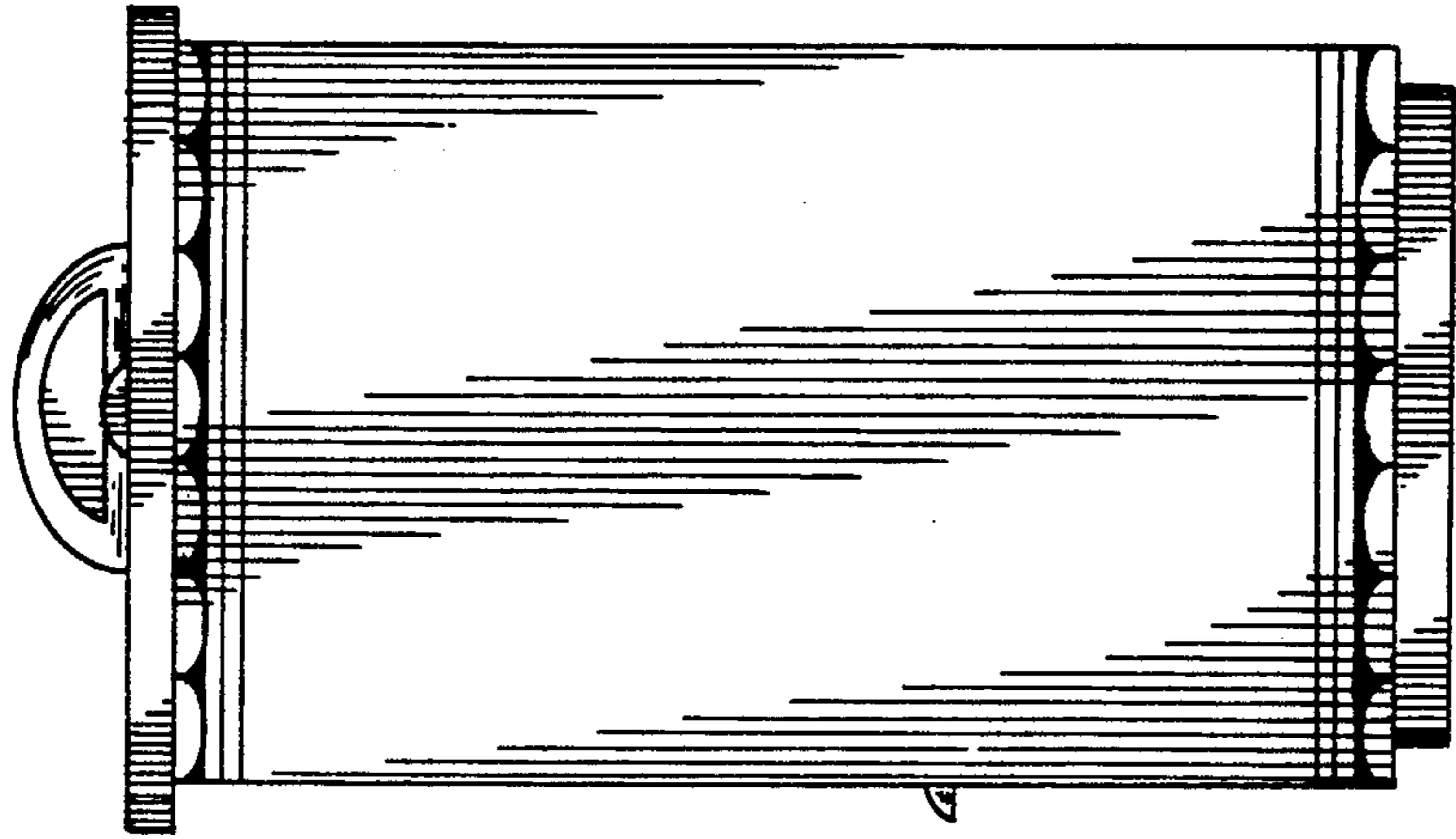


FIG. 3.

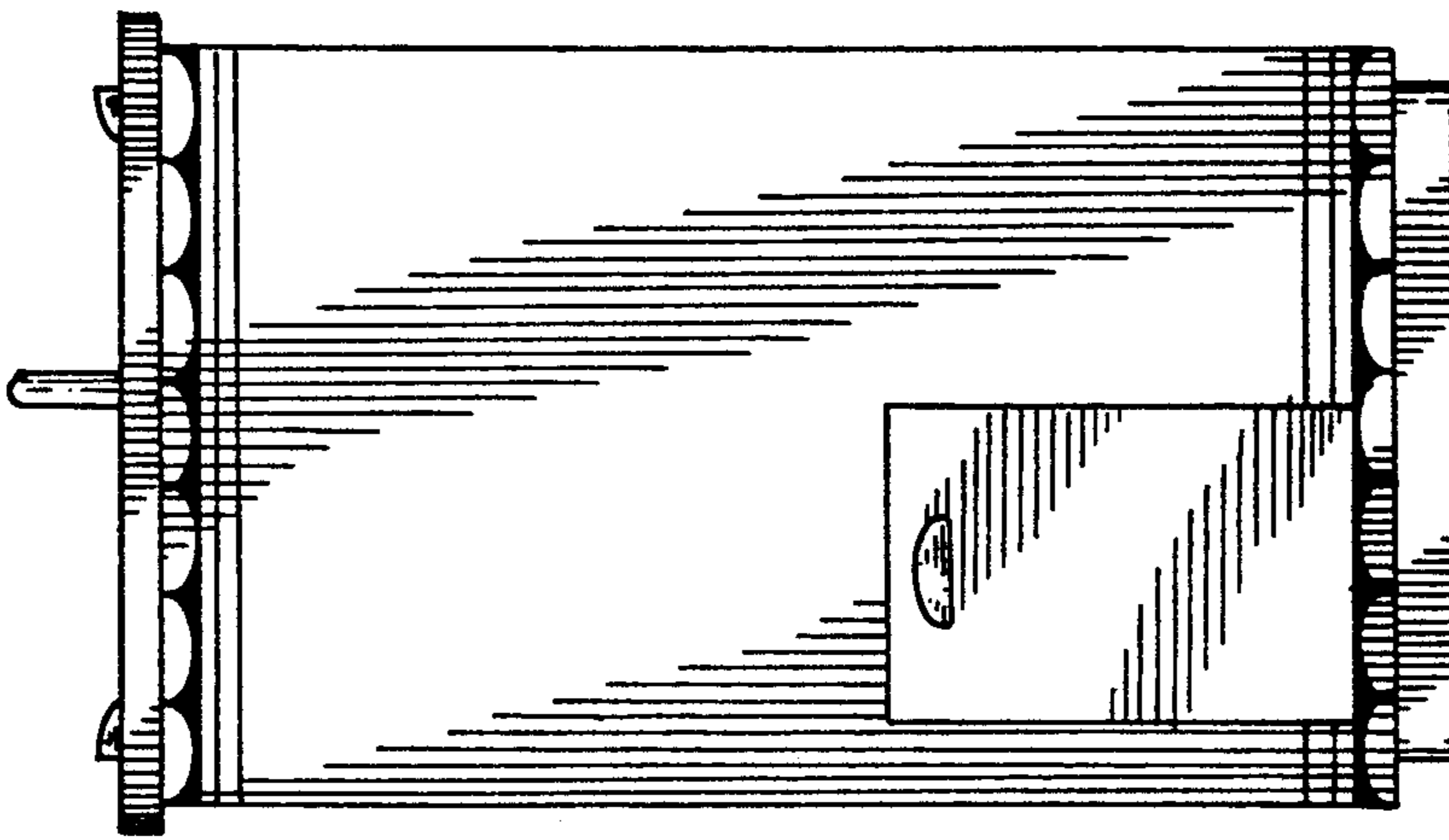


FIG. 2.

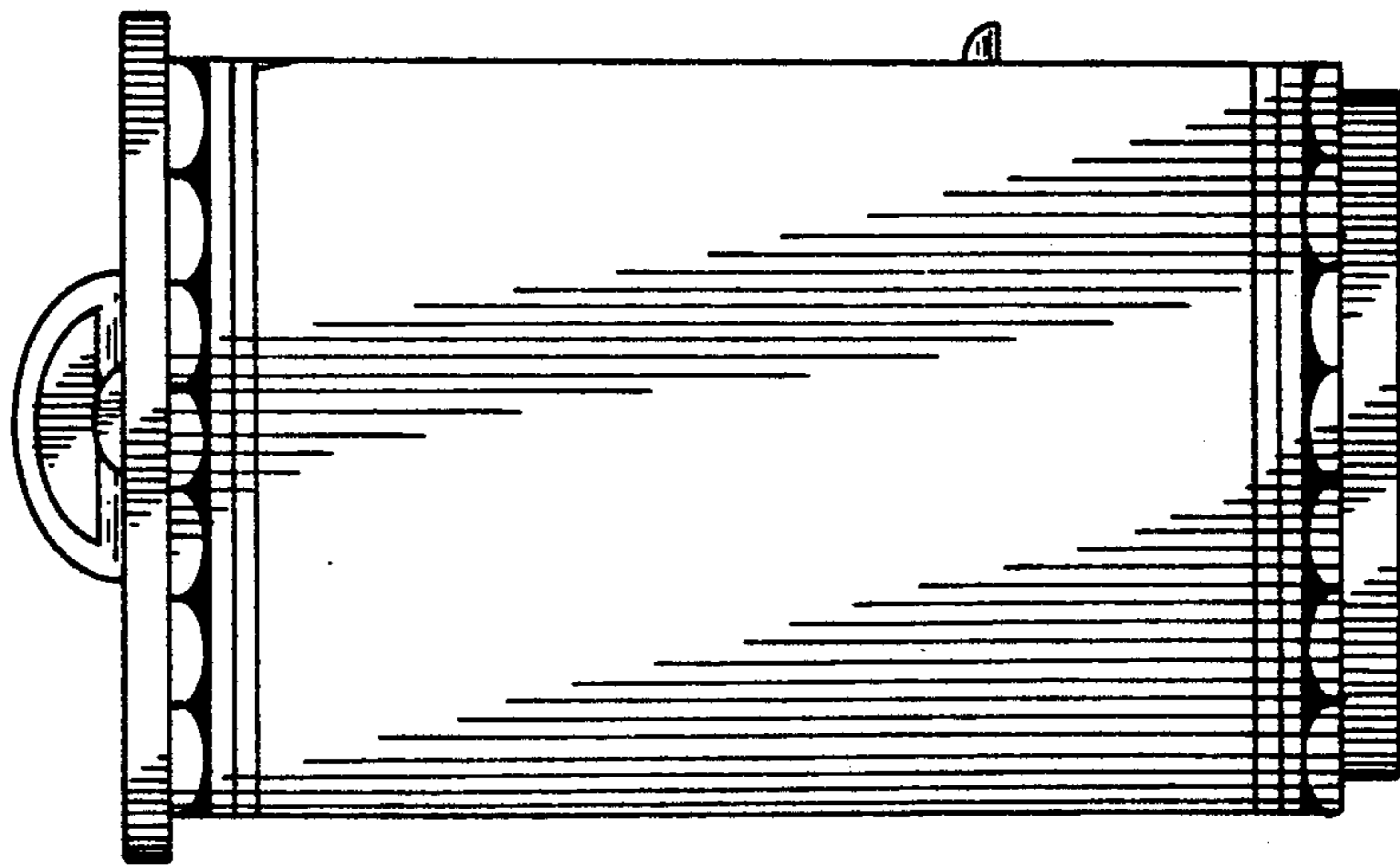


FIG. 4.

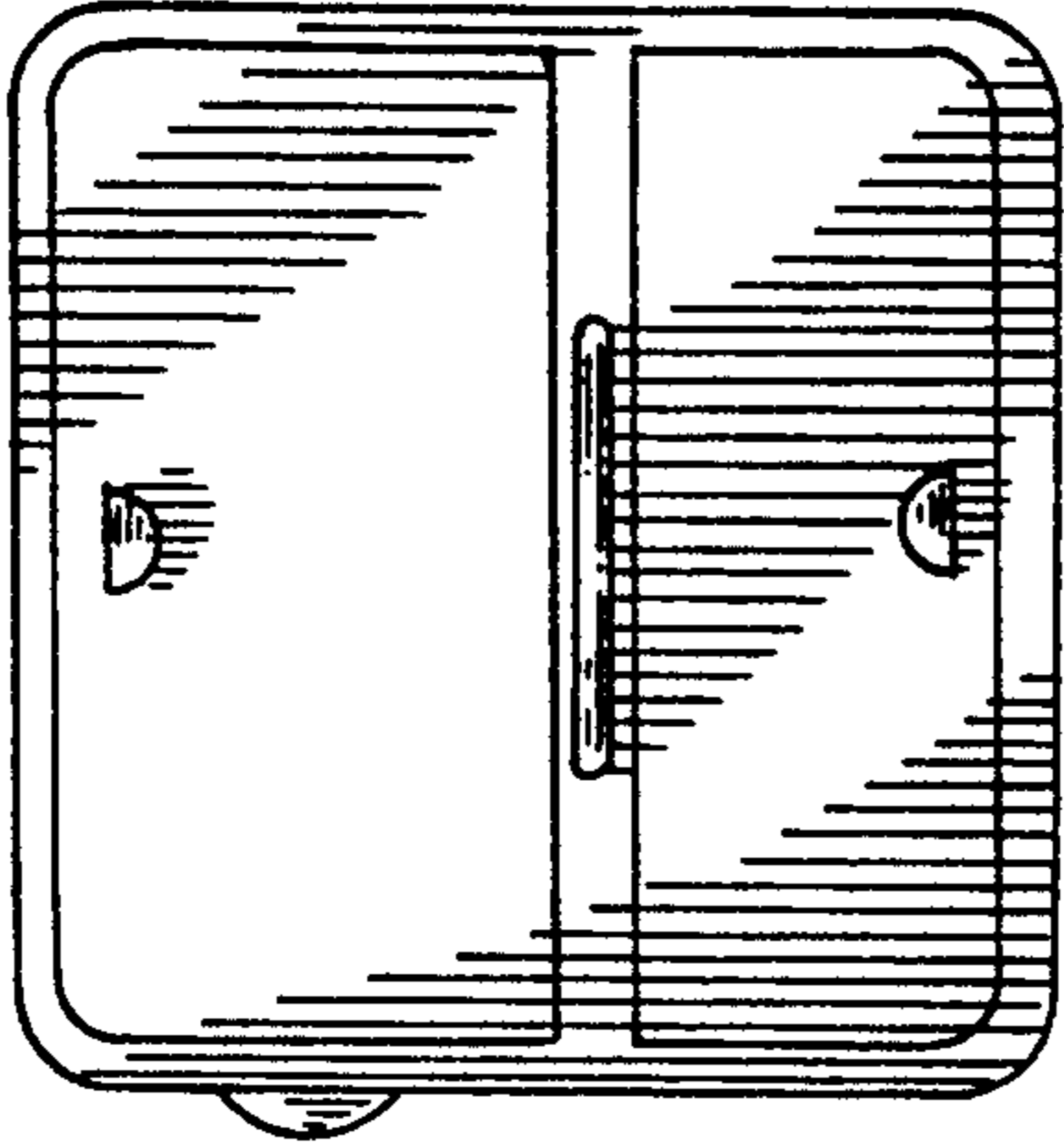


FIG. 5.