



US00D330617S

United States Patent [19]

[11] Patent Number: Des. 330,617

Saller

[45] Date of Patent: ** Oct. 27, 1992

[54] BAG HOLDER

[75] Inventor: Donald H. Saller, Plano, Tex.

[73] Assignee: Jokari/US, Inc., Dallas, Tex.

[**] Term: 14 Years

[21] Appl. No.: 569,154

[22] Filed: Aug. 17, 1990

[52] U.S. Cl. D34/5; D34/6

[58] Field of Search D34/1, 5, 6; 248/95, 248/97, 98, 99, 100, 101; D8/396, 395, 398; 24/339

[56] References Cited

U.S. PATENT DOCUMENTS

D. 289,141	4/1987	Tunno et al.	D8/396
3,880,106	4/1975	Farmer	D8/395
4,658,522	4/1987	Kramer	24/339

OTHER PUBLICATIONS

Making Plastic Pipe Furniture, (1981) by Mar & Charlotte Alth. p. 52, Coffee Table.

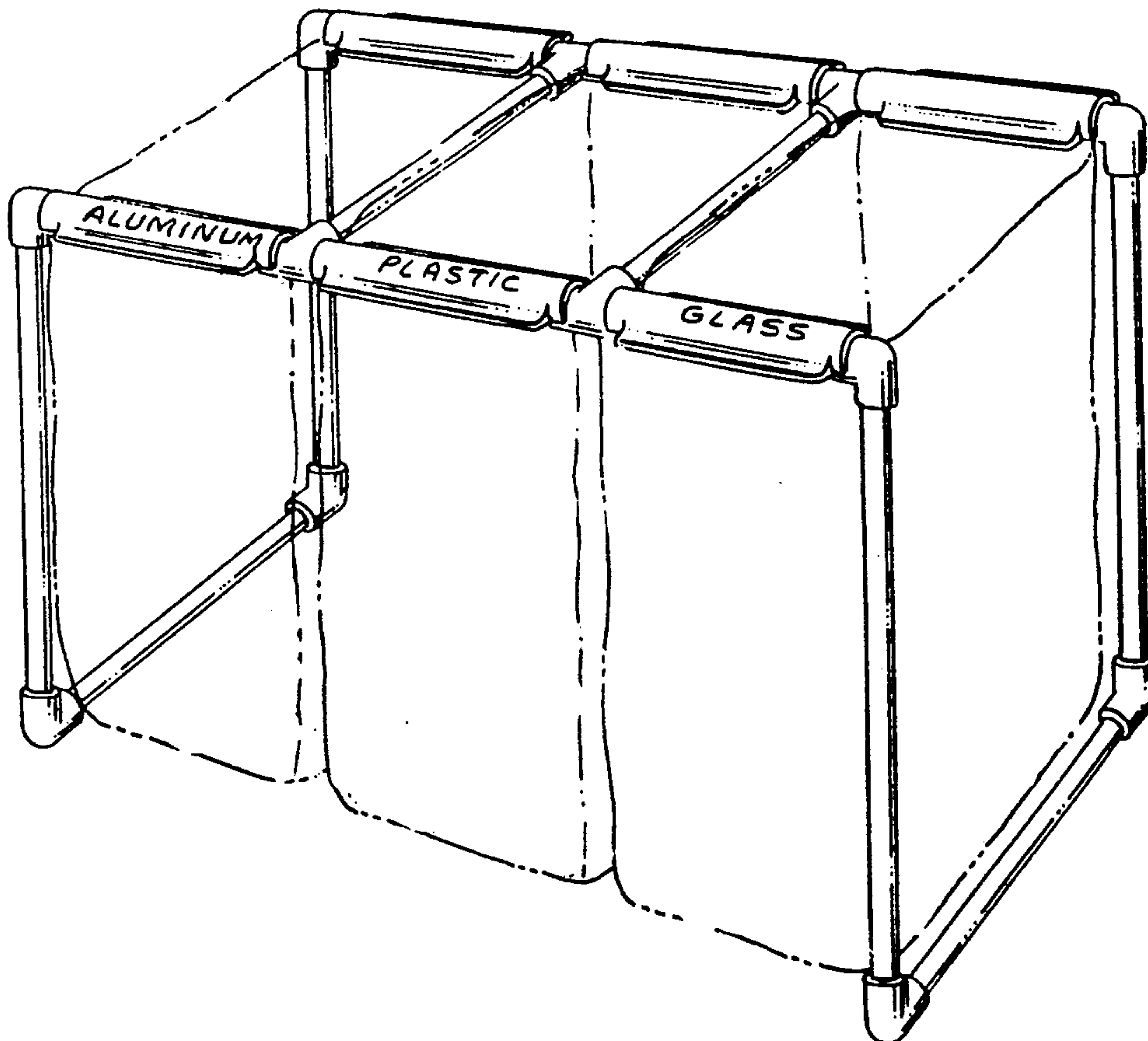
Primary Examiner—Kay H. Chin
Attorney, Agent, or Firm—Dennis T. Griggs

[57] CLAIM

The ornamental design for a bag holder, as shown and described.

DESCRIPTION

FIG. 1 is a perspective view of a bag holder showing my new design;
FIG. 2 is a left side elevational view thereof, the right side elevational view being a mirror image thereof;
FIG. 3 is a top plan view thereof;
FIG. 4 is a front elevational view thereof, the rear elevational view being a mirror image thereof;
FIG. 5 is a bottom plan view thereof; and,
FIG. 6 is a perspective view thereof, with the broken lines showing collection bags suspended therefrom in a typical arrangement thereof, for illustrative purposes only.



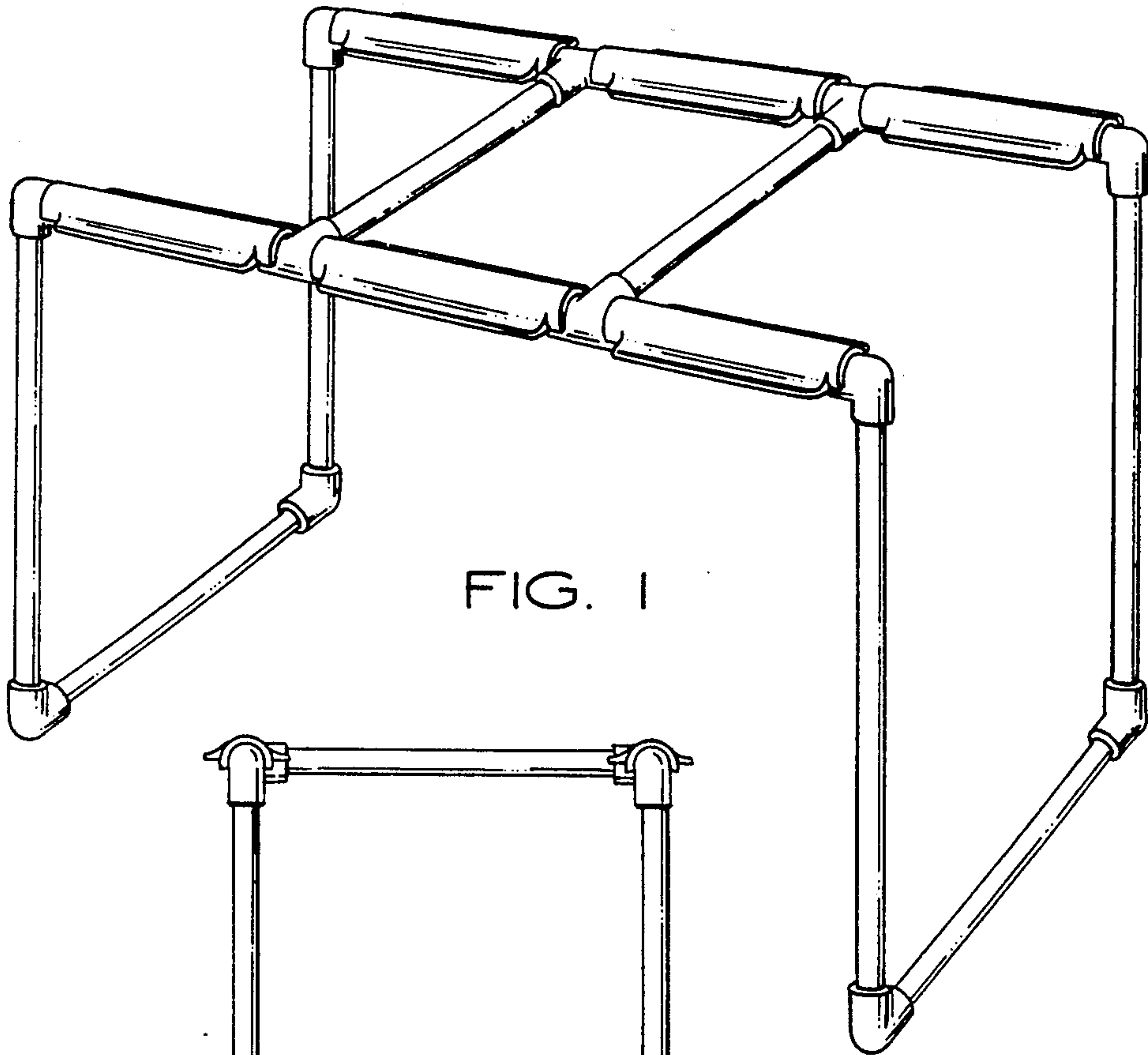


FIG. 1

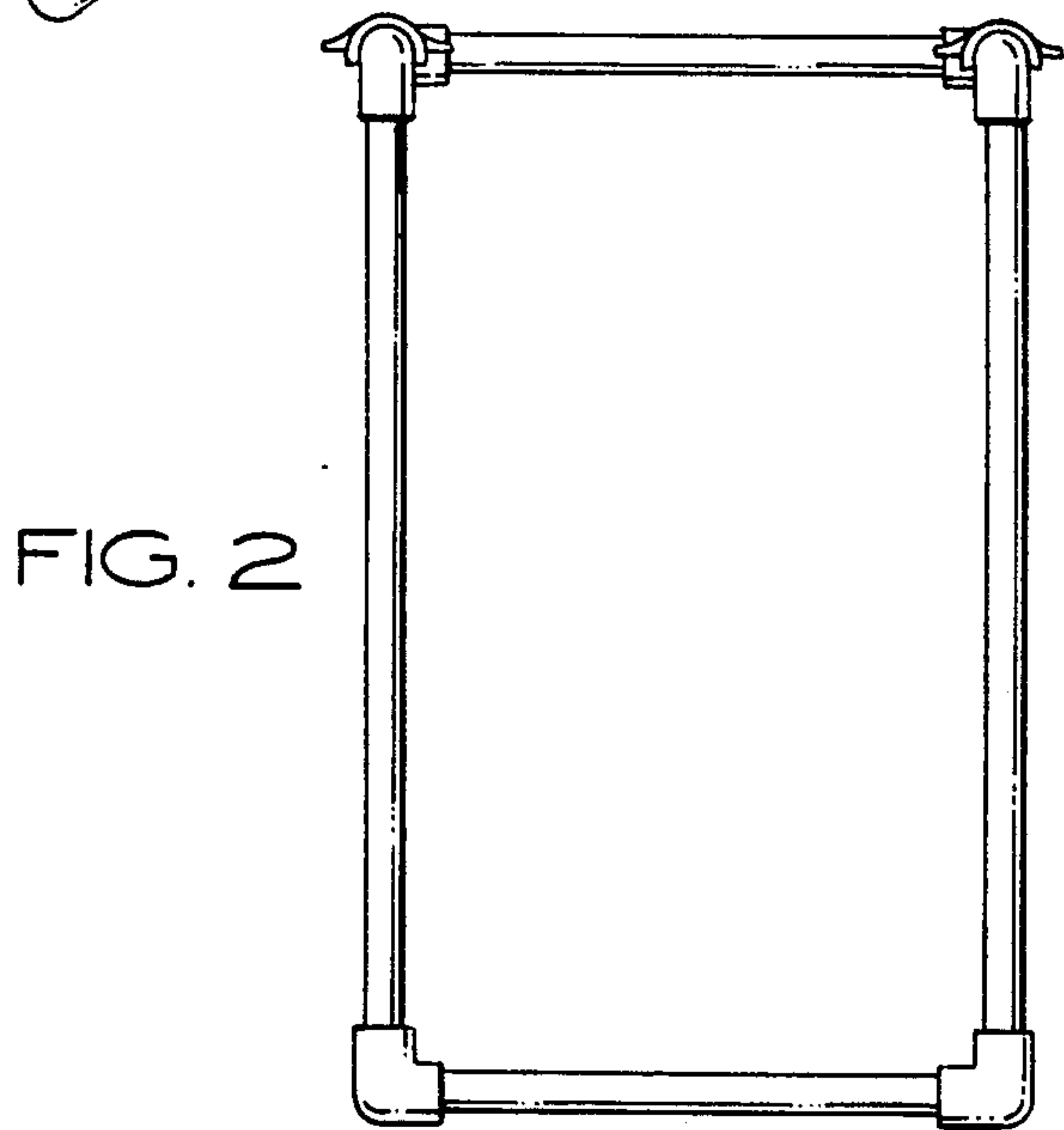


FIG. 2

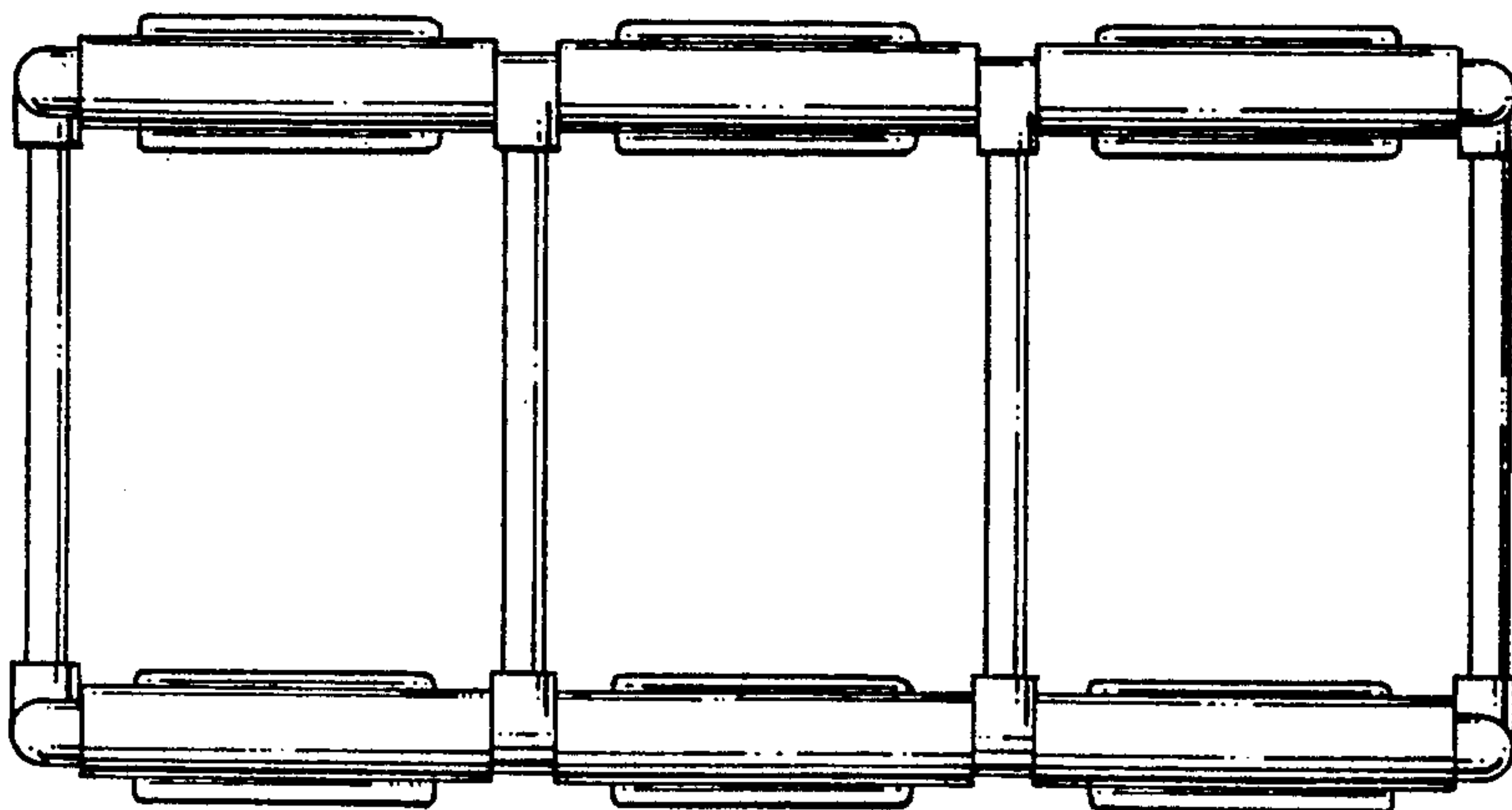


FIG. 3

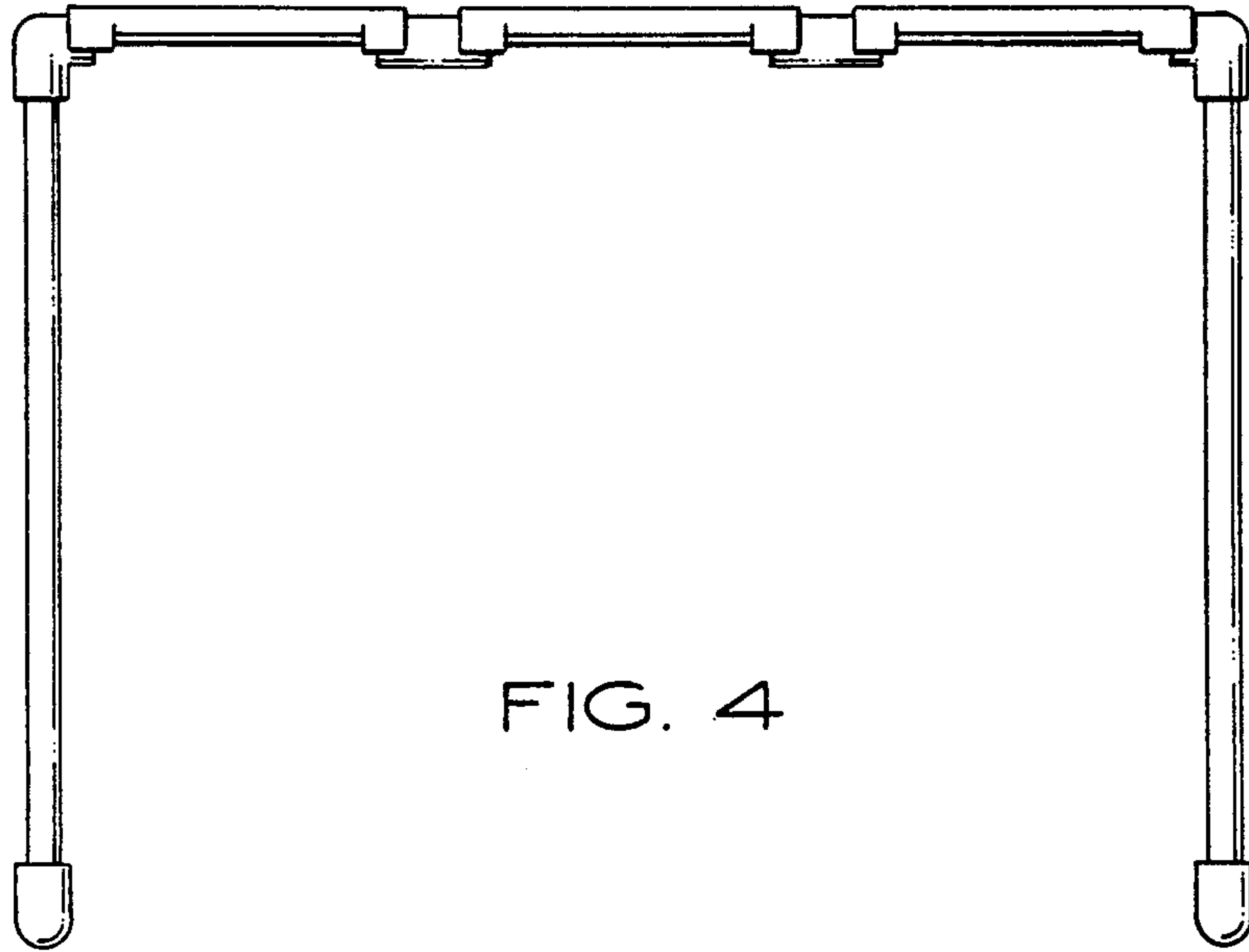


FIG. 4

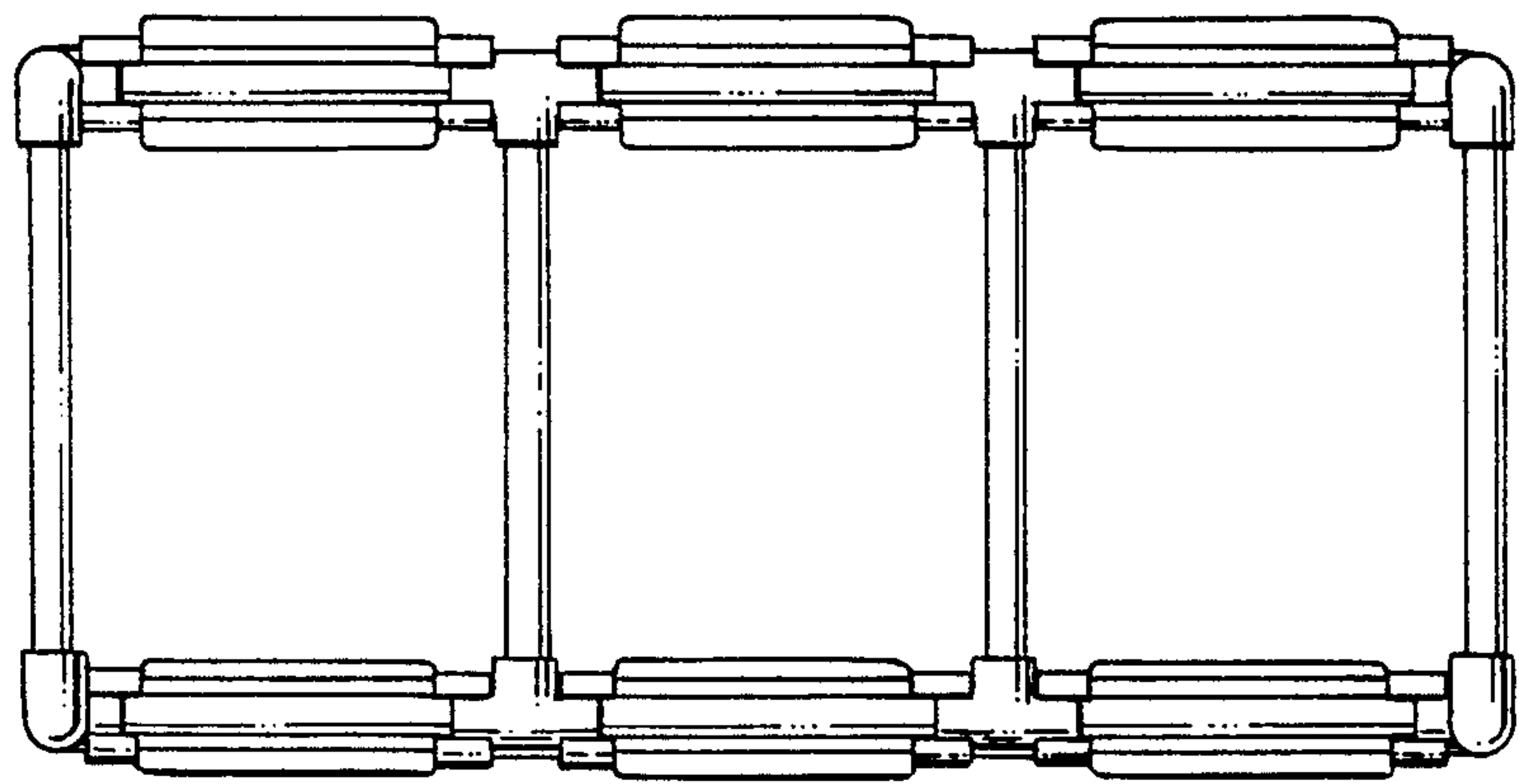


FIG. 5

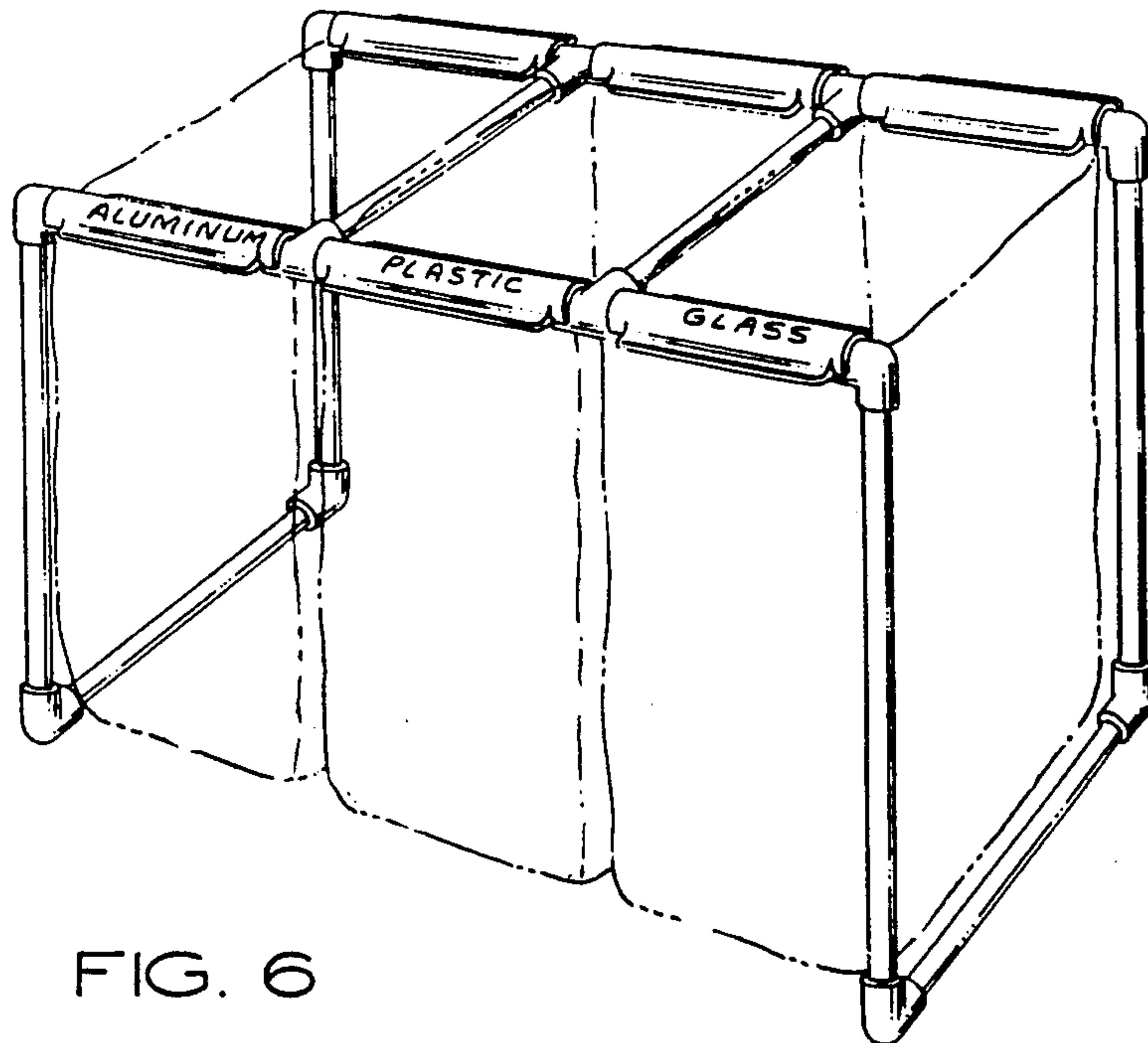


FIG. 6