



US00D330616S

# United States Patent [19]

[11] Patent Number: **Des. 330,616**

Wareham et al.

[45] Date of Patent: **\*\* Oct. 27, 1992**

[54] **COMBINED VACUUM CLEANER HOSE AND RACK**

|            |        |                      |        |
|------------|--------|----------------------|--------|
| D. 316,167 | 4/1991 | Petralia et al. .... | D32/22 |
| 3,401,420  | 9/1968 | Lofgren .....        | 15/323 |
| 4,761,850  | 8/1988 | Romeo et al. ....    | 15/323 |

[75] Inventors: **Richard A. Wareham**, North Canton;  
**Darwin T. McKnight**, Louisville,  
both of Ohio

### OTHER PUBLICATIONS

One page of photographs showing Electrolux Models 21450, 1572E and Goblin Laser 500 and 3000i.

[73] Assignee: **The Hoover Company**, North Canton,  
Ohio

*Primary Examiner*—A. Hugo Word  
*Assistant Examiner*—Ruth McInroy

[\*\*] Term: **14 Years**

### [57] CLAIM

[21] Appl. No.: **716,331**

The ornamental design for a combined vacuum cleaner hose and rack, as shown and described.

[22] Filed: **Jun. 17, 1991**

### DESCRIPTION

[52] U.S. Cl. .... **D32/31**

[58] Field of Search ..... **D32/22, 31-33;**  
**15/323, 357 A, 334, 335, 350, 351**

**FIG. 1** is a front elevational view of a combined vacuum cleaner hose and rack showing our new design; **FIG. 2** is a left side elevational view thereof; **FIG. 3** is a rear elevational view thereof; **FIG. 4** is a right side elevational view thereof; **FIG. 5** is a top plan view thereof; and, **FIG. 6** is a bottom plan view thereof.

### [56] References Cited

#### U.S. PATENT DOCUMENTS

|            |        |                      |        |
|------------|--------|----------------------|--------|
| D. 272,572 | 2/1984 | Panse .....          | D32/31 |
| D. 301,784 | 6/1989 | Petralia et al. .... | D32/22 |
| D. 309,203 | 7/1990 | Goodrich .....       | D32/22 |
| D. 309,806 | 8/1990 | Chieda et al. ....   | D32/22 |
| D. 313,681 | 1/1991 | McKnight .....       | D32/22 |

The vacuum cleaner and attachments shown in broken lines in **FIGS. 1-6** are shown for illustrative purposes only and form no part of the claimed design.

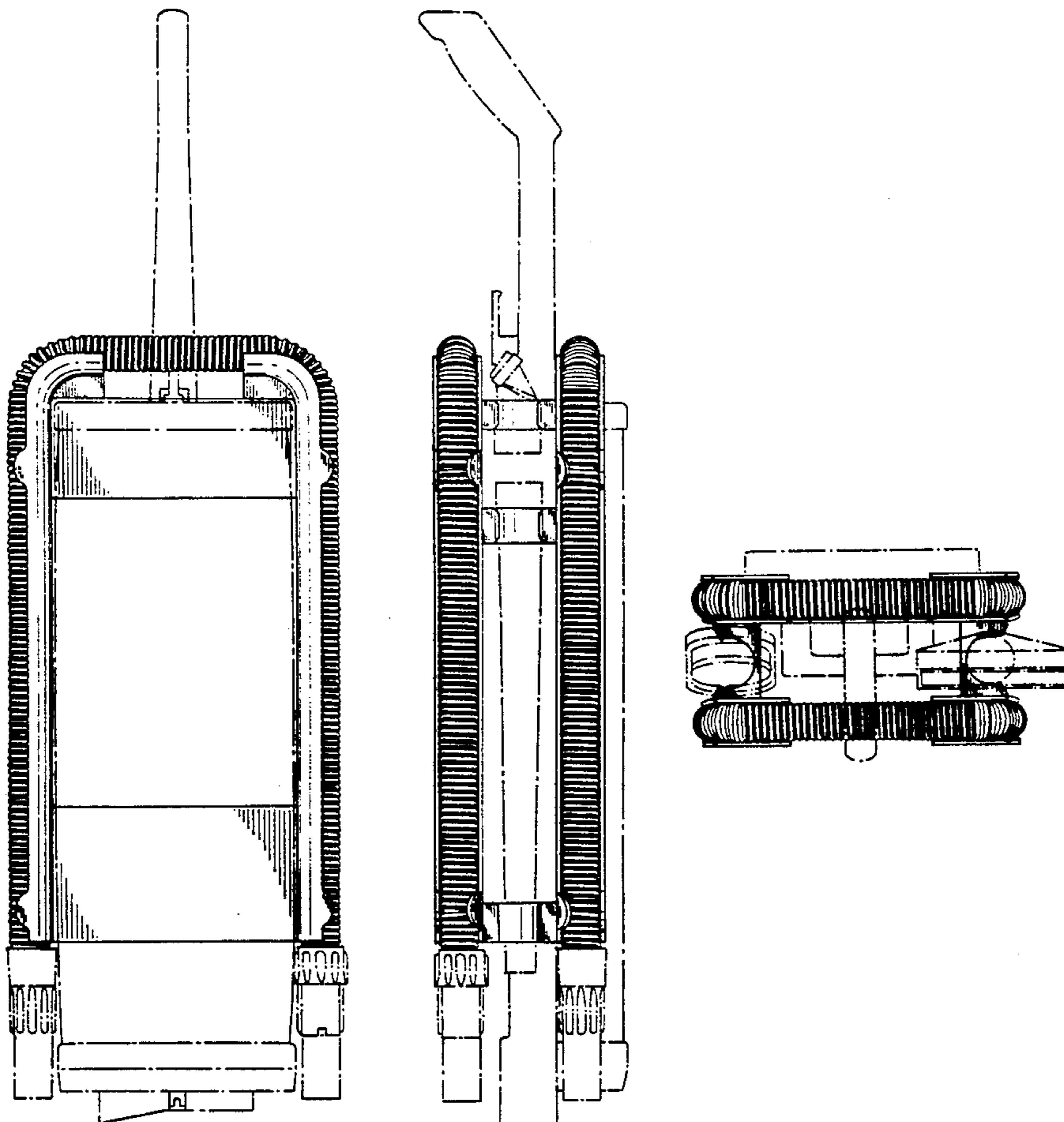


FIG.-1

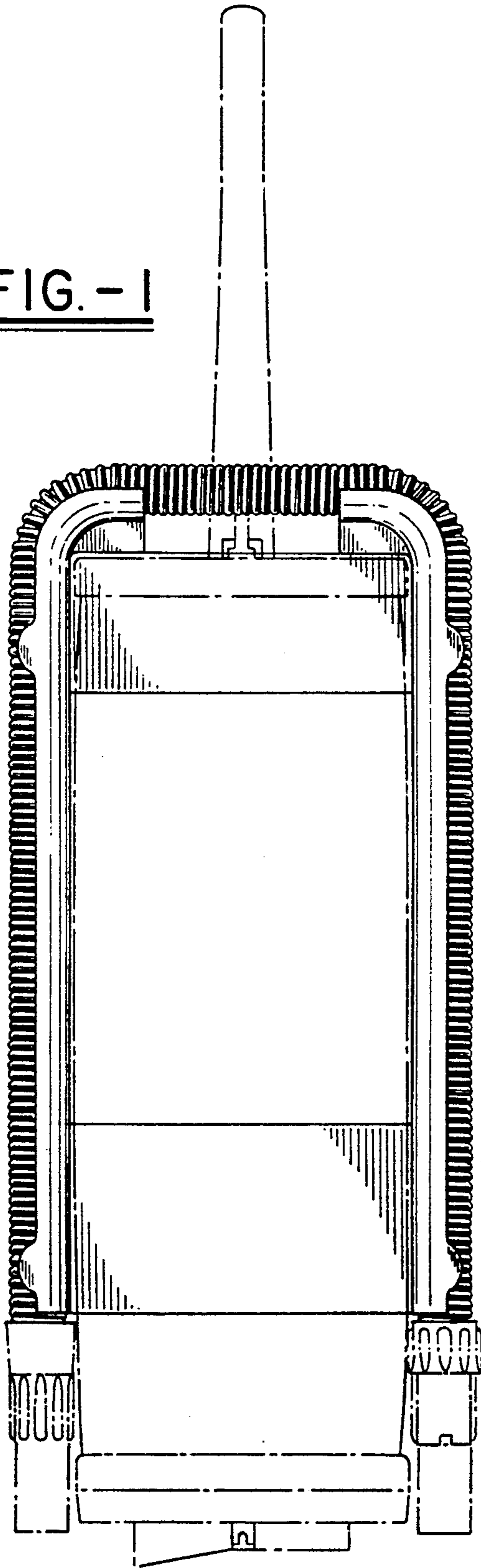


FIG.-2

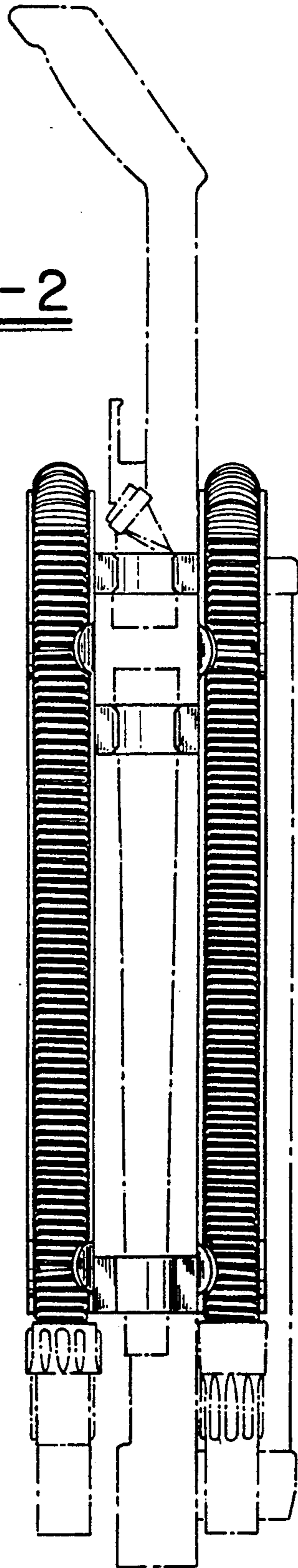


FIG.-3

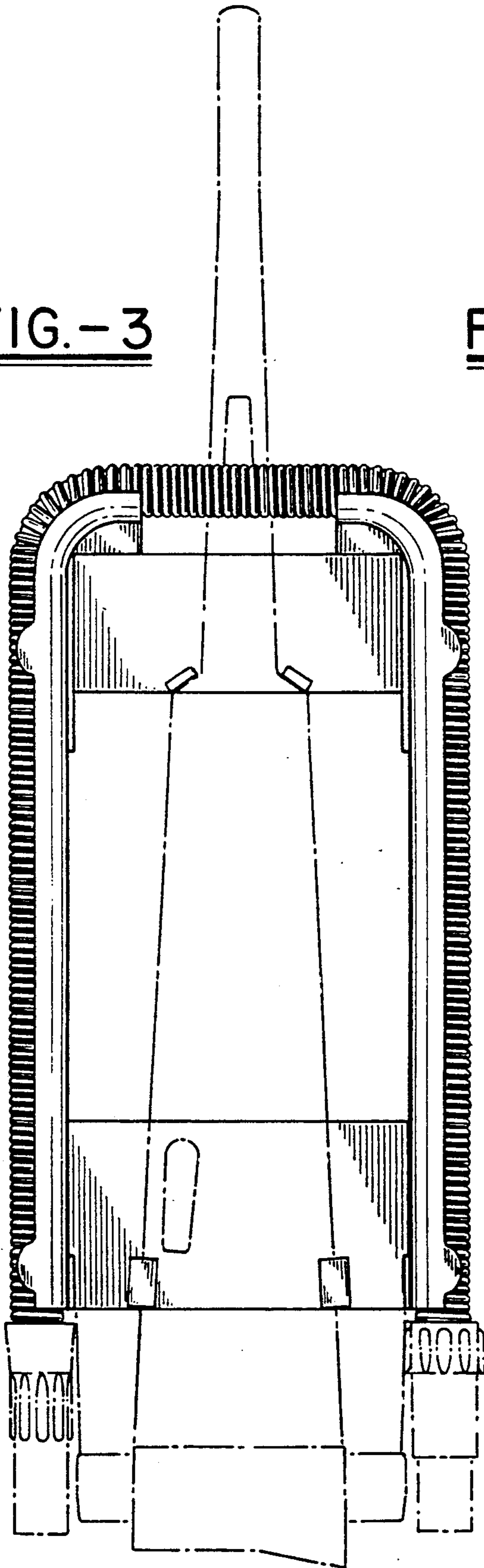
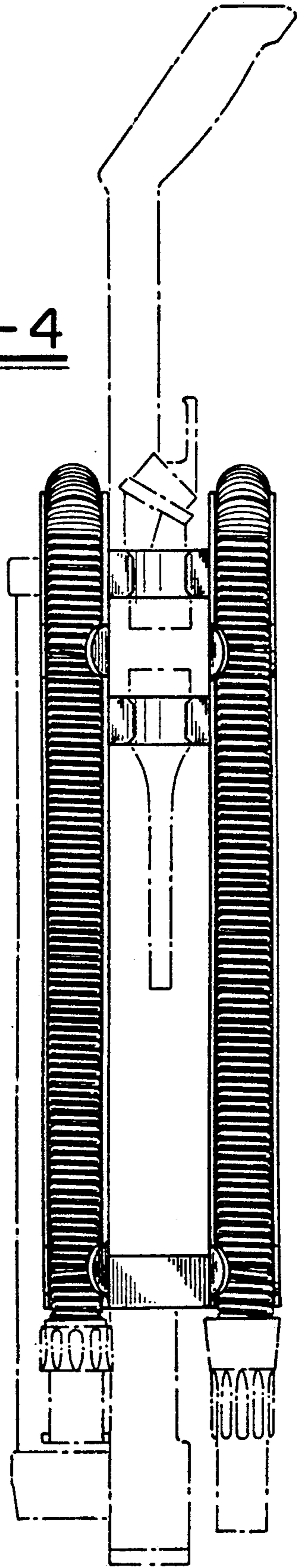


FIG.-4



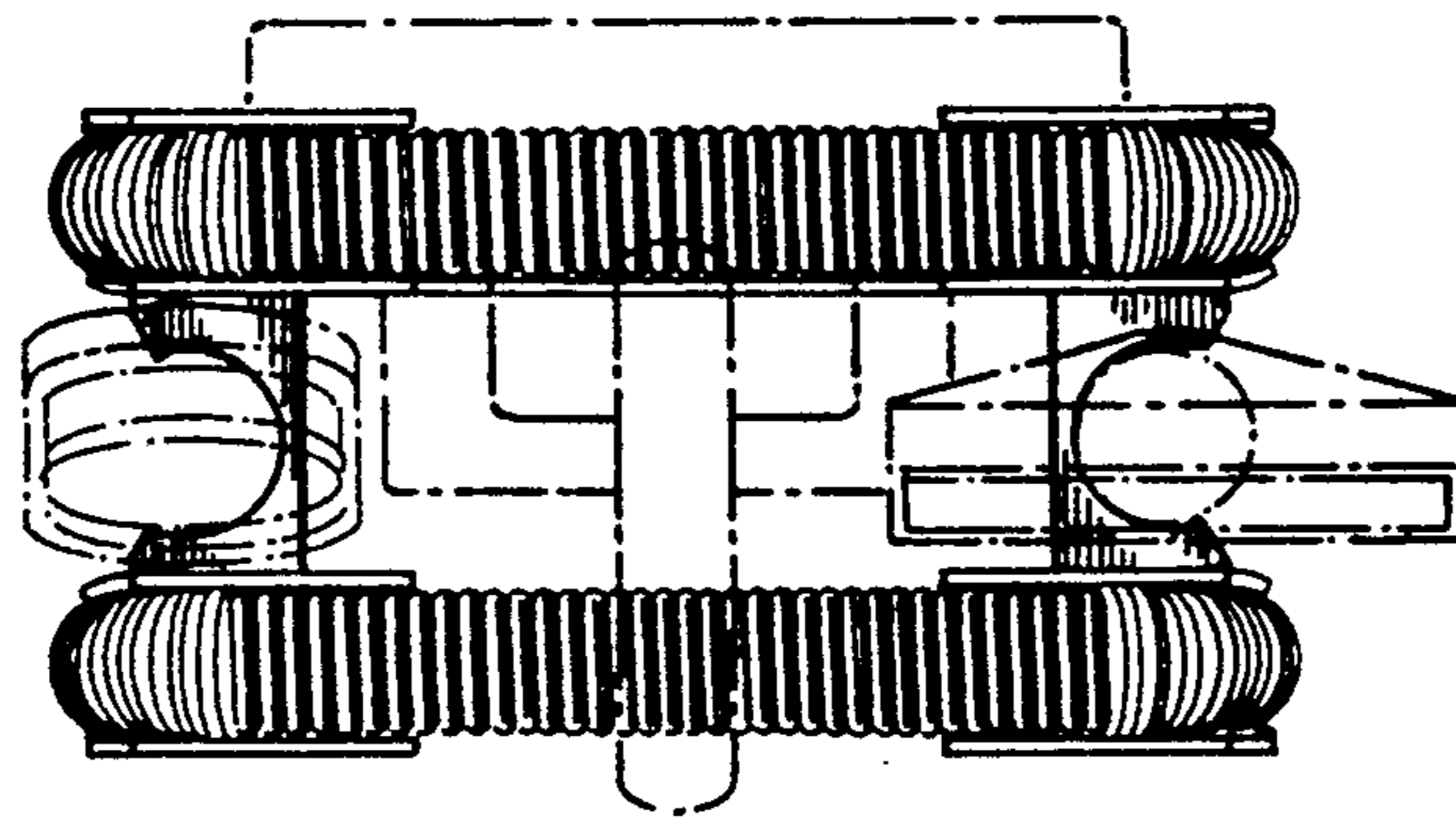


FIG. - 5

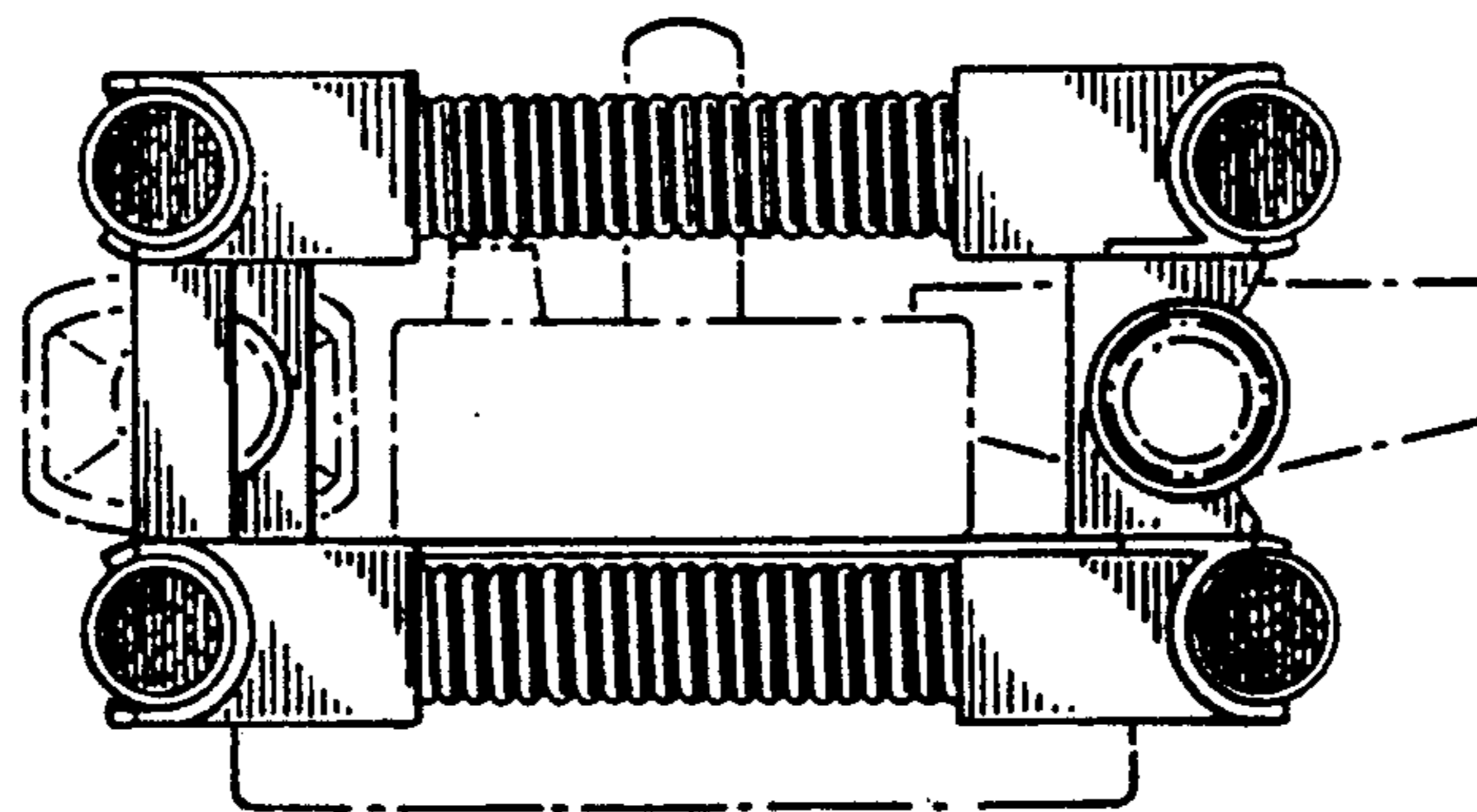


FIG. - 6