



US00D330615S

United States Patent [19]

[11] Patent Number: **Des. 330,615**

Essex et al.

[45] Date of Patent: **** Oct. 27, 1992**

[54] **COMBINED VACUUM CLEANER HOSE AND RACK**

3,401,420 9/1968 Lofgren 15/323
4,761,850 8/1988 Romeo et al. 15/323

[75] Inventors: **John D. Essex, North Canton;
Darwin T. McKnight, Louisville,
both of Ohio**

OTHER PUBLICATIONS

Turbomaster Total Cleaning System Models U5094 & U5096.

[73] Assignee: **The Hoover Company, North Canton,
Ohio**

Primary Examiner—A. Hugo Word
Assistant Examiner—Ruth McInroy

[**] Term: **14 Years**

[57] CLAIM

[21] Appl. No.: **702,710**

The ornamental design for a combined vacuum cleaner hose and rack, as shown and described.

[22] Filed: **May 20, 1991**

DESCRIPTION

[52] U.S. Cl. **D32/31**
[58] Field of Search **D32/22, 31-33;**
15/323, 357 A, 334, 335, 350-351

FIG. 1 is a front elevational view of a combined vacuum cleaner hose and rack showing our new design; **FIG. 2** is a left side elevational view thereof; **FIG. 3** is a rear elevational view thereof; **FIG. 4** is a right side elevational view thereof; **FIG. 5** is a top plan view thereof; and, **FIG. 6** is a bottom plan view thereof.

[56] References Cited

U.S. PATENT DOCUMENTS

D. 272,572 2/1984 Pavise D32/31
D. 309,203 7/1990 Goodrich D32/22
D. 309,806 8/1990 Chieda et al. D32/22
D. 313,681 1/1991 McKnight D32/22

The vacuum cleaner and attachments shown in broken lines in **FIGS. 1-6** are shown for illustrative purposes only and form no part of the claimed design.

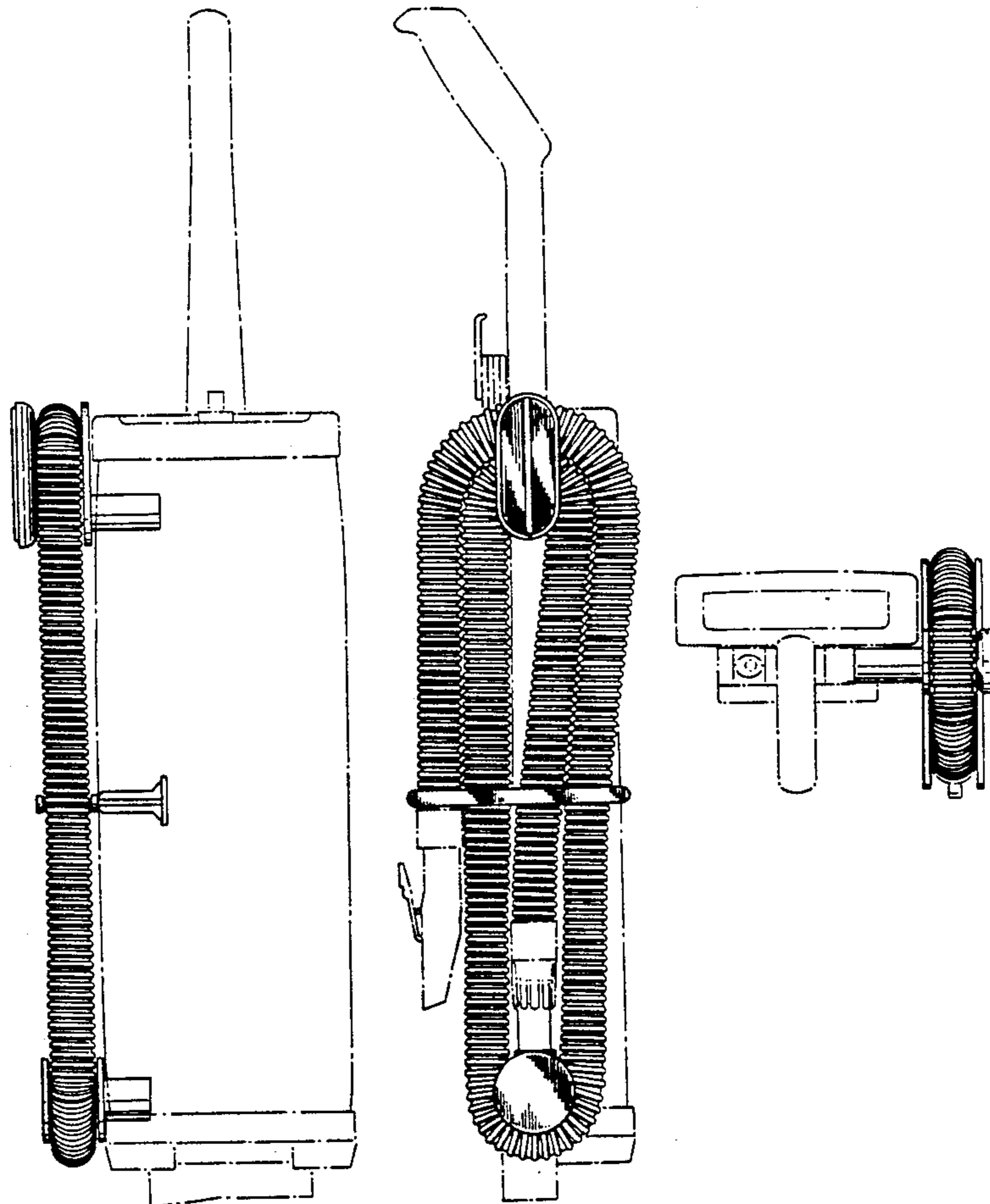


FIG.-1

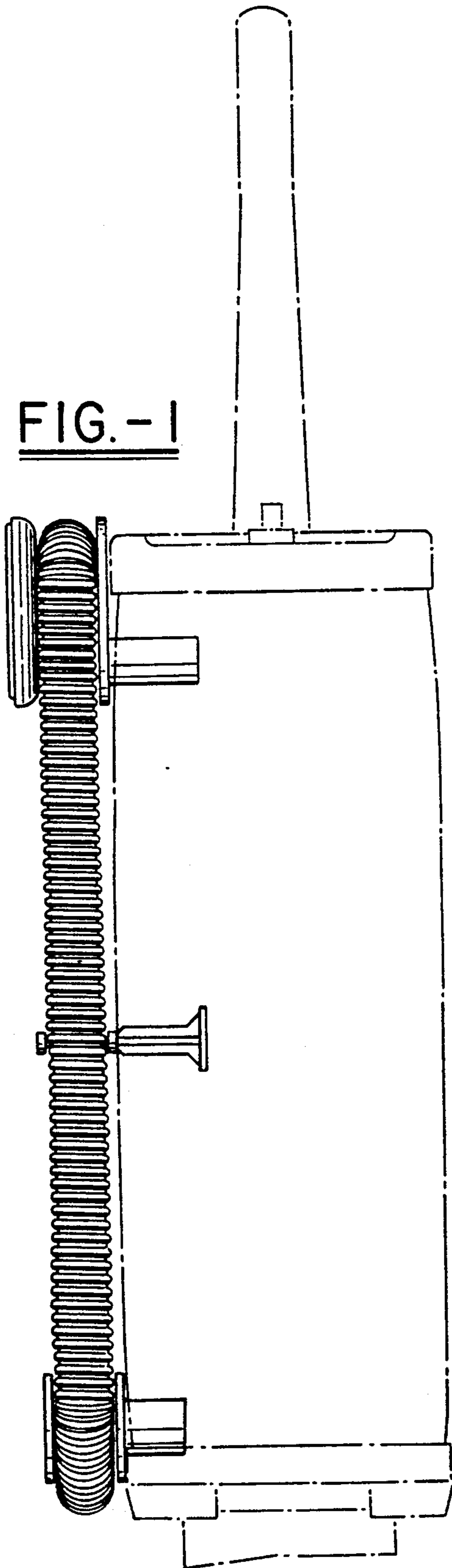
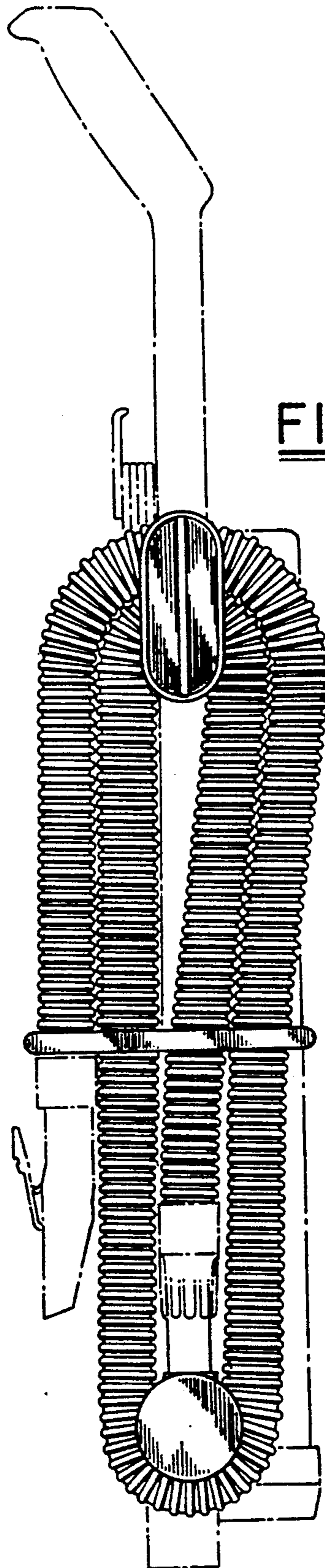
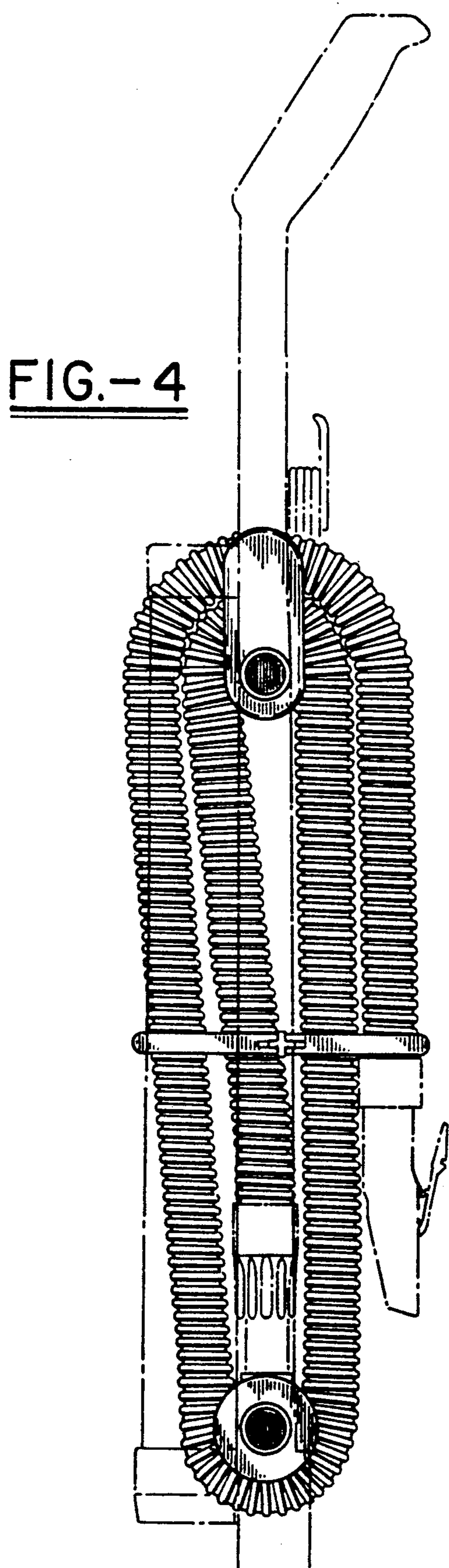
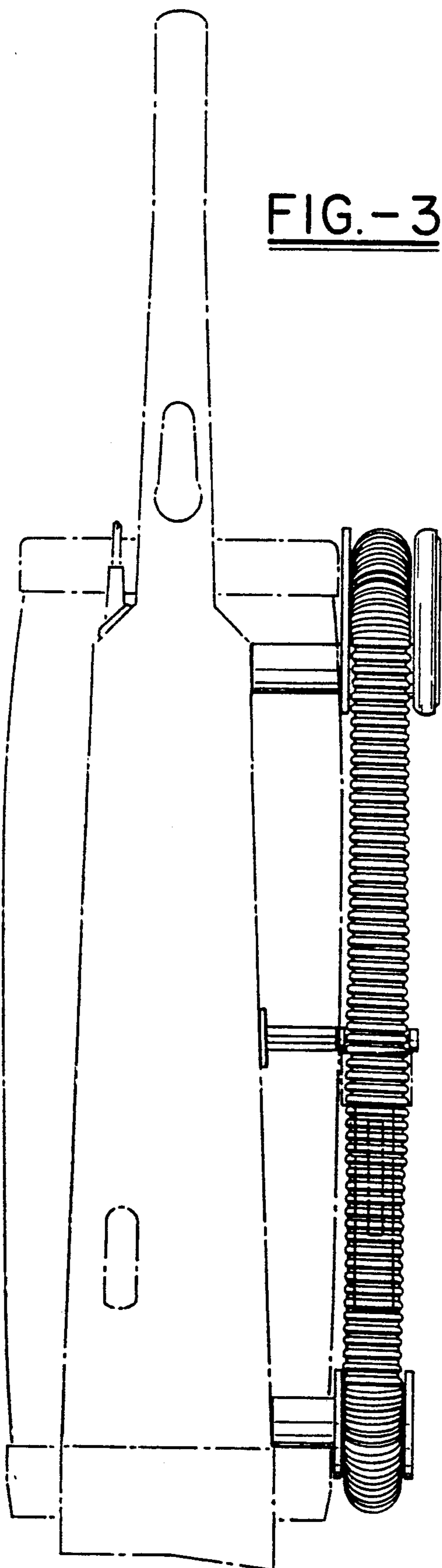


FIG.-2





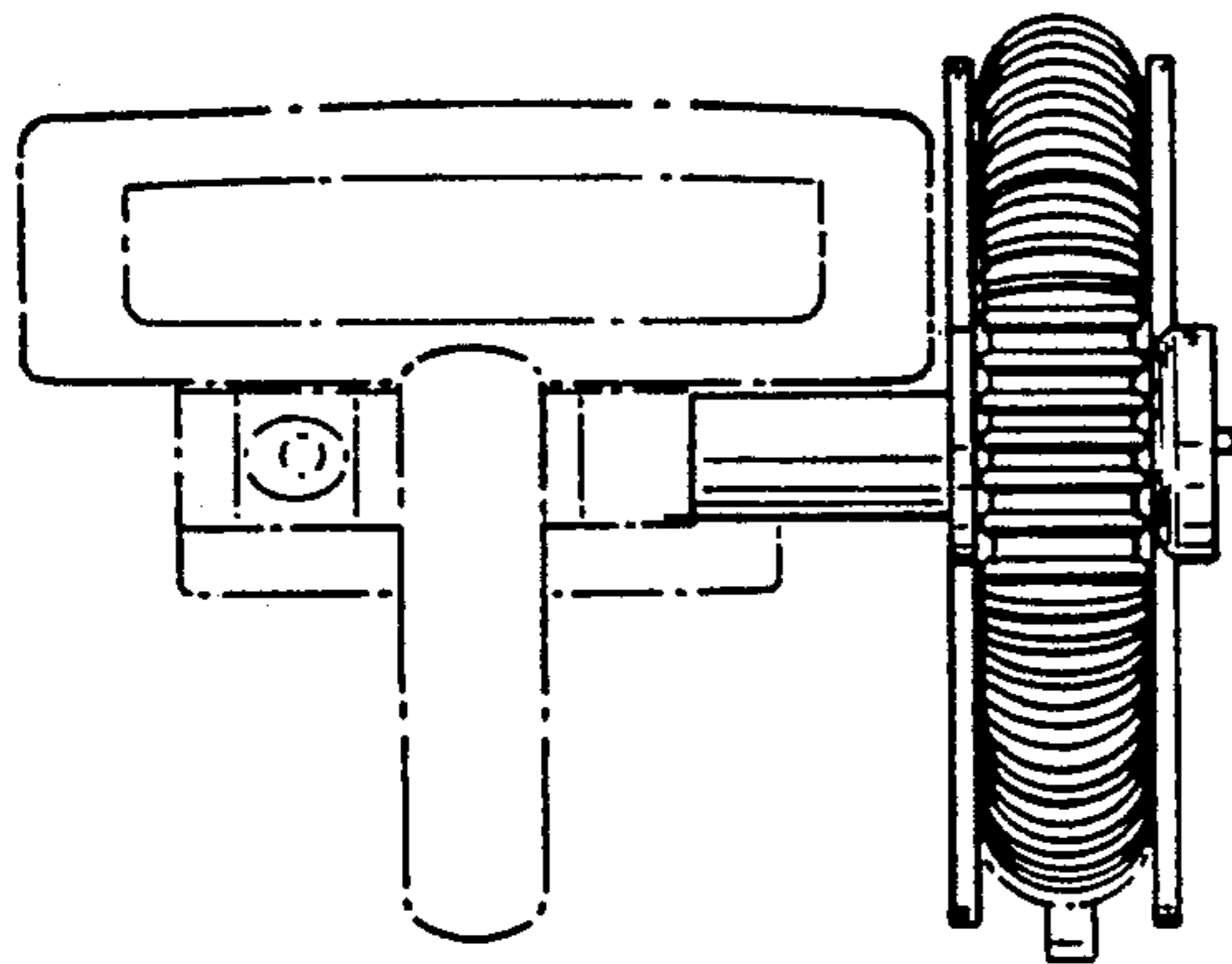


FIG.-5

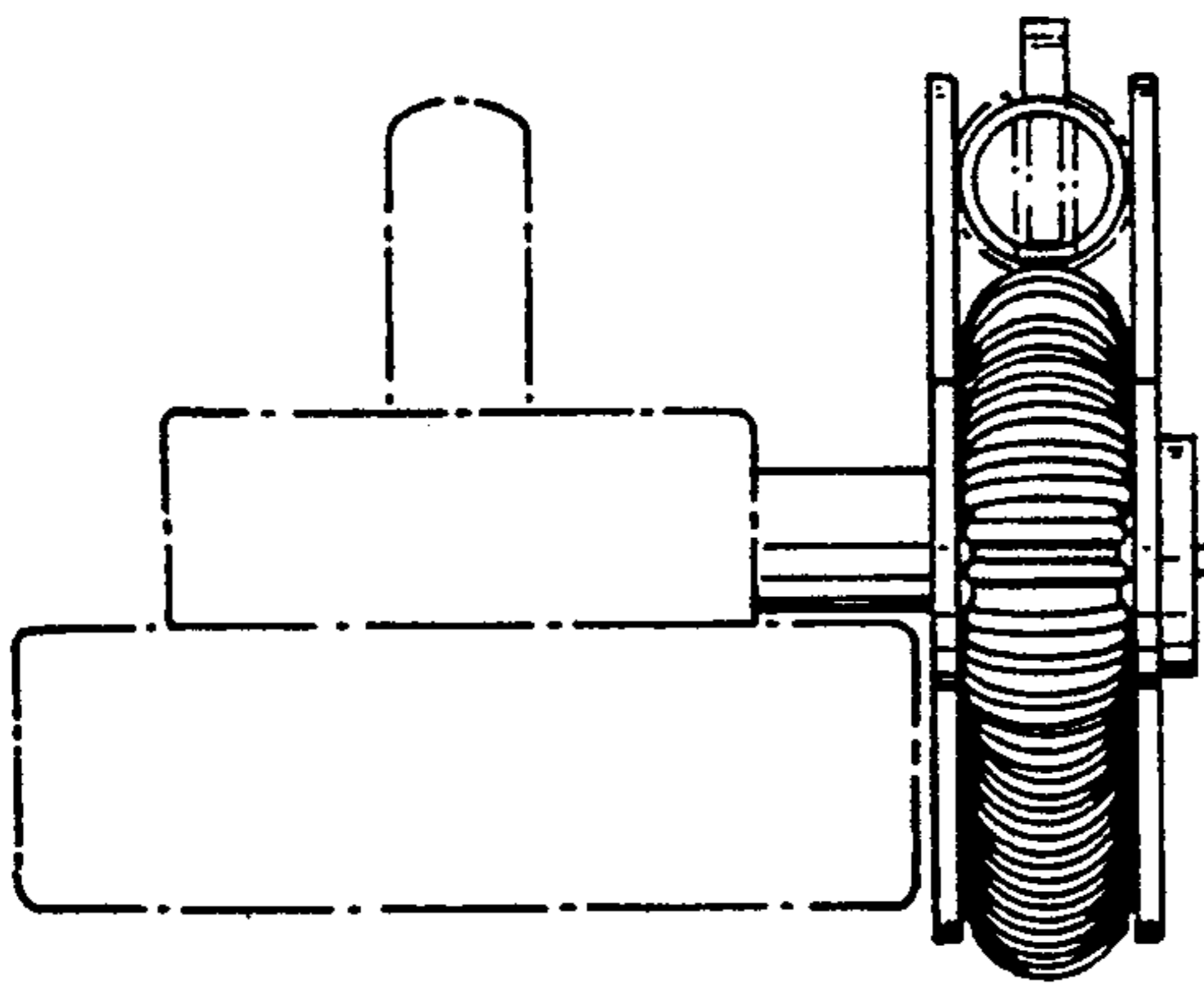


FIG.-6