



US00D330612S

United States Patent [19] Leach

[11] Patent Number: **Des. 330,612**
[45] Date of Patent: **** Oct. 27, 1992**

[54] **SQUIRREL FEEDER**

[75] Inventor: **Ralph P. Leach, Whitefish Bay, Wis.**

[73] Assignee: **Kellogg, Inc., Milwaukee, Wis.**

[**] Term: **14 Years**

[21] Appl. No.: **536,490**

[22] Filed: **Jun. 12, 1990**

[52] U.S. Cl. **D30/121**

[58] Field of Search 119/51.03, 52.2, 57.4,
119/57.8, 57.9, 61, 69.5, 72, 77; D30/121-128,
132-133

[56] **References Cited**

U.S. PATENT DOCUMENTS

D. 119,499	3/1940	Howard	119/51.03
3,306,262	2/1967	Hart	119/72
3,537,429	11/1970	Regan	119/51.03
3,638,617	2/1972	White	119/51.03
3,906,657	9/1975	Bosch	119/25
4,632,062	12/1986	Hubbard	119/51.03

FOREIGN PATENT DOCUMENTS

2127266 4/1984 United Kingdom 119/57.8

OTHER PUBLICATIONS

Gardners Supply Catalog; p. 45 Item No. 10-201 Squirrel Feeder.
Wildlife Products, "Squirrel-A-Whirl"; 1990.

Primary Examiner—A. Hugo Word

Assistant Examiner—MacCormac Cathy Anne

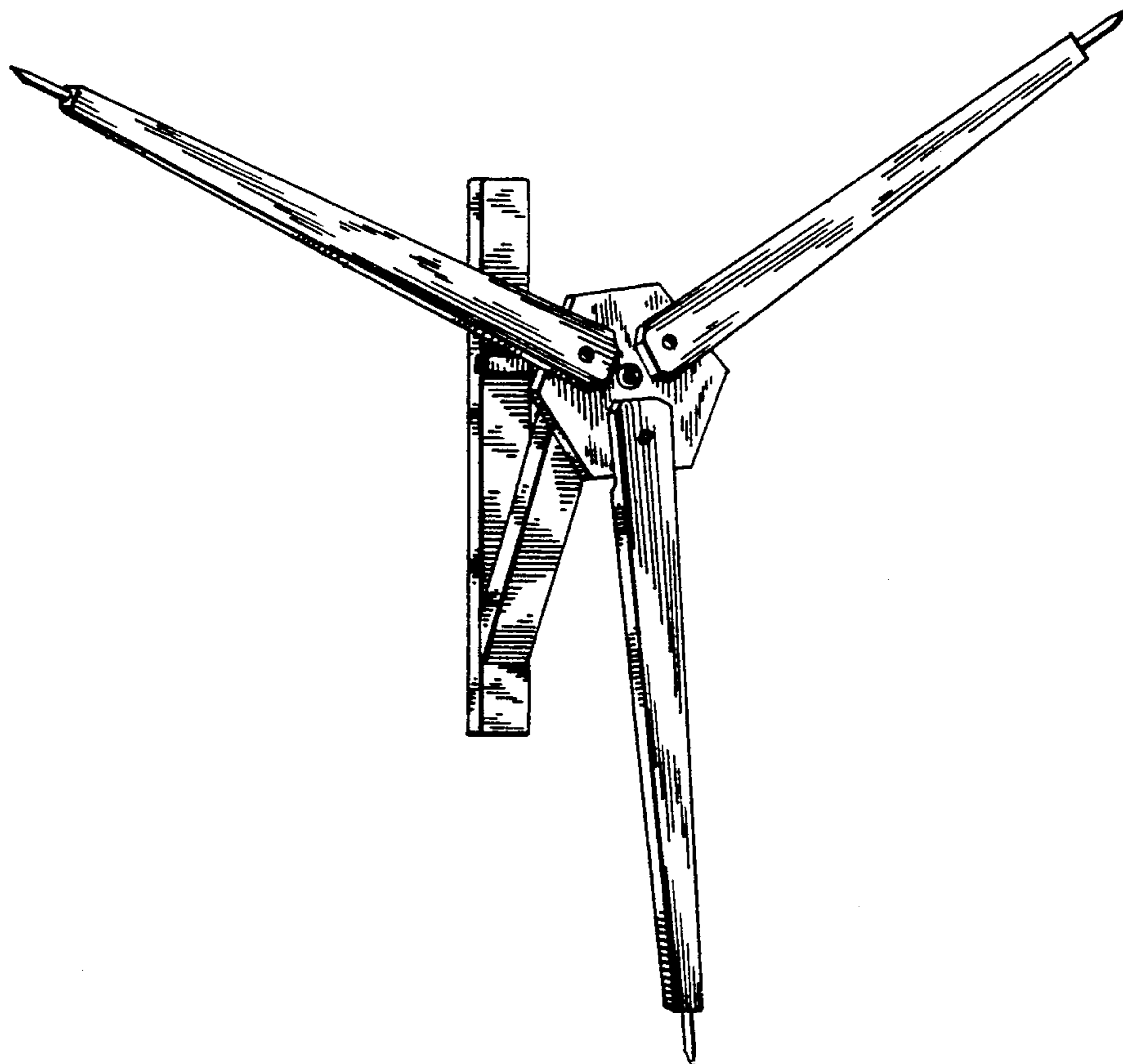
Attorney, Agent, or Firm—Andrus, Scales, Starke & Sawall

[57] **CLAIM**

The ornamental design for a squirrel feeder, as shown and described.

DESCRIPTION

FIG. 1 is a perspective view of a squirrel feeder showing my new design;
FIG. 2 is a left side elevational view thereof, the right side being a mirror image of the left side shown;
FIG. 3 is a top plan view thereof;
FIG. 4 is a front elevational view thereof, the rear being plain and unornamented; and,
FIG. 5 is a bottom plan view thereof.



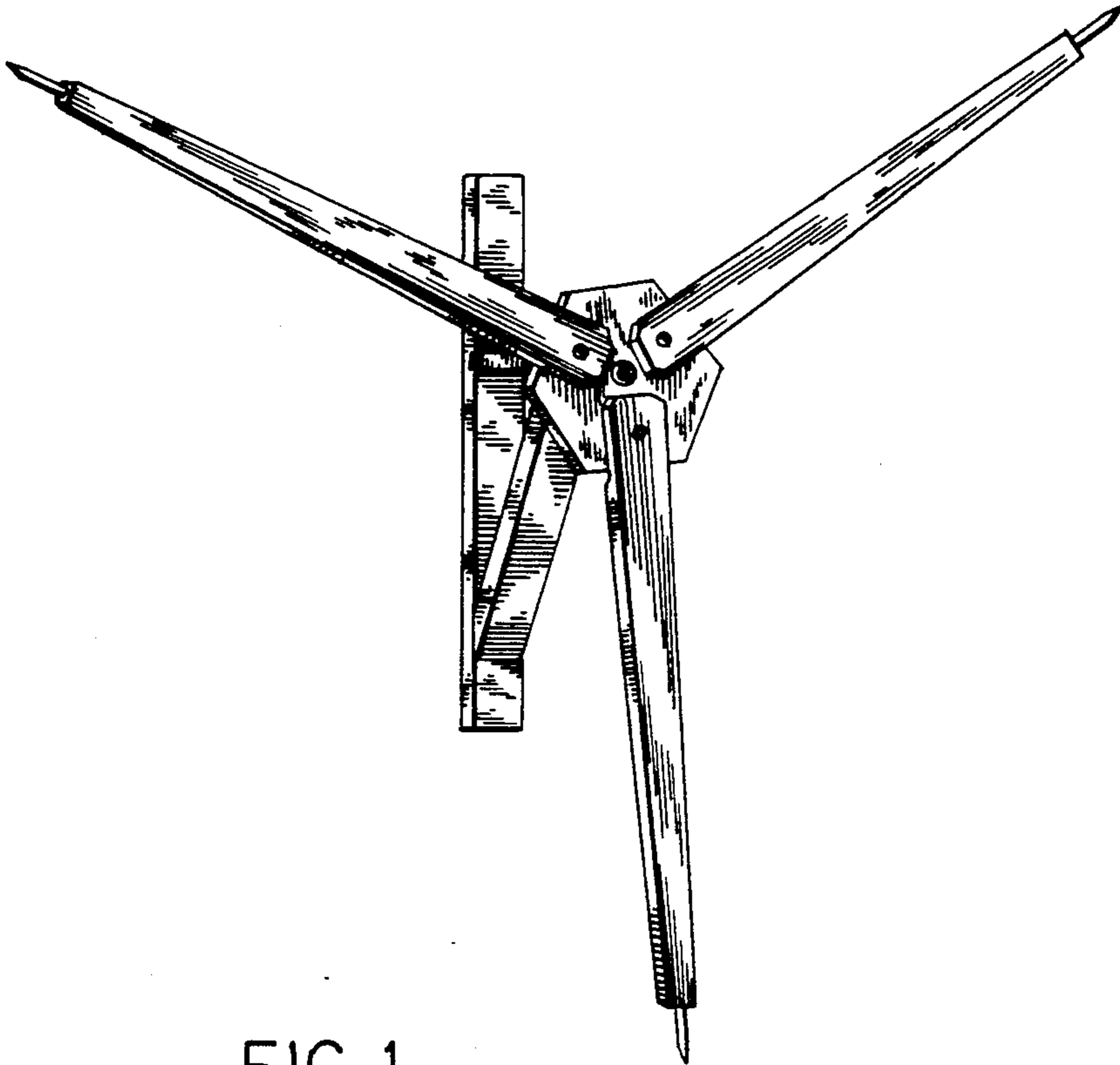


FIG. 1

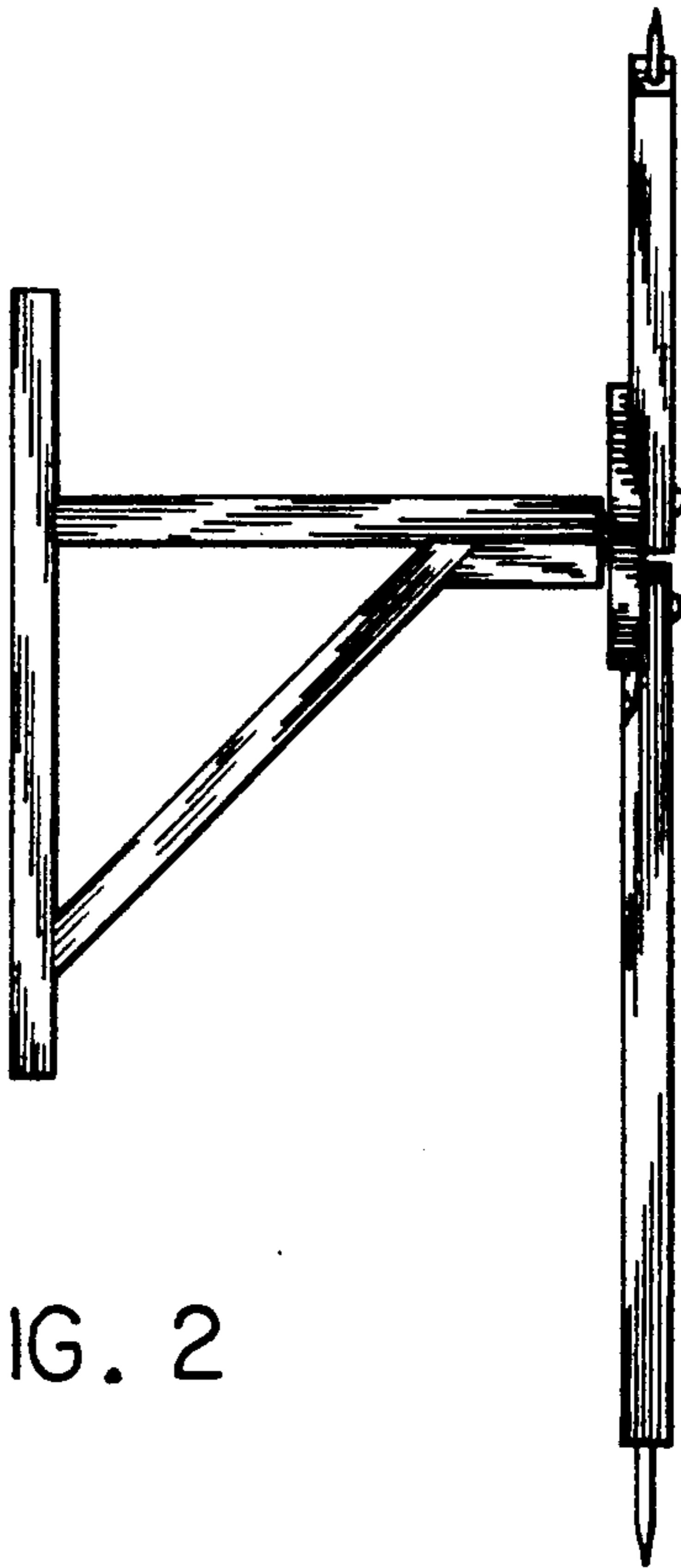


FIG. 2

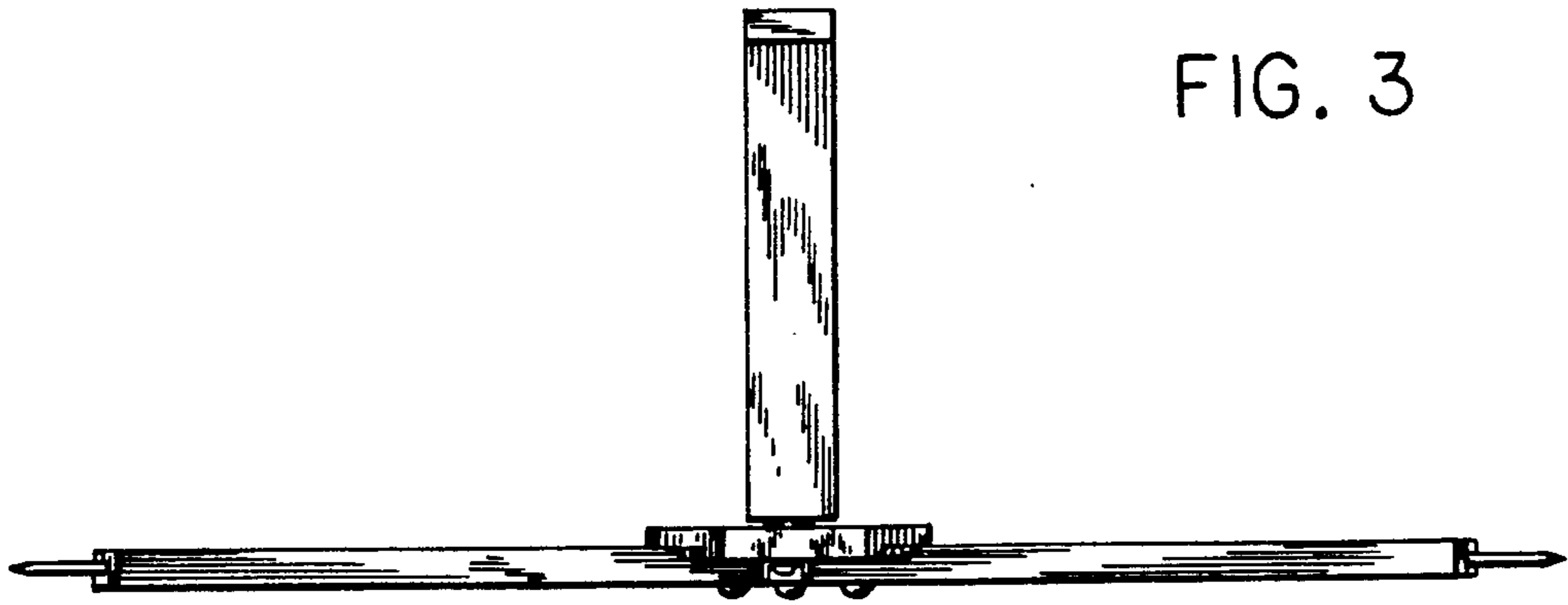


FIG. 3

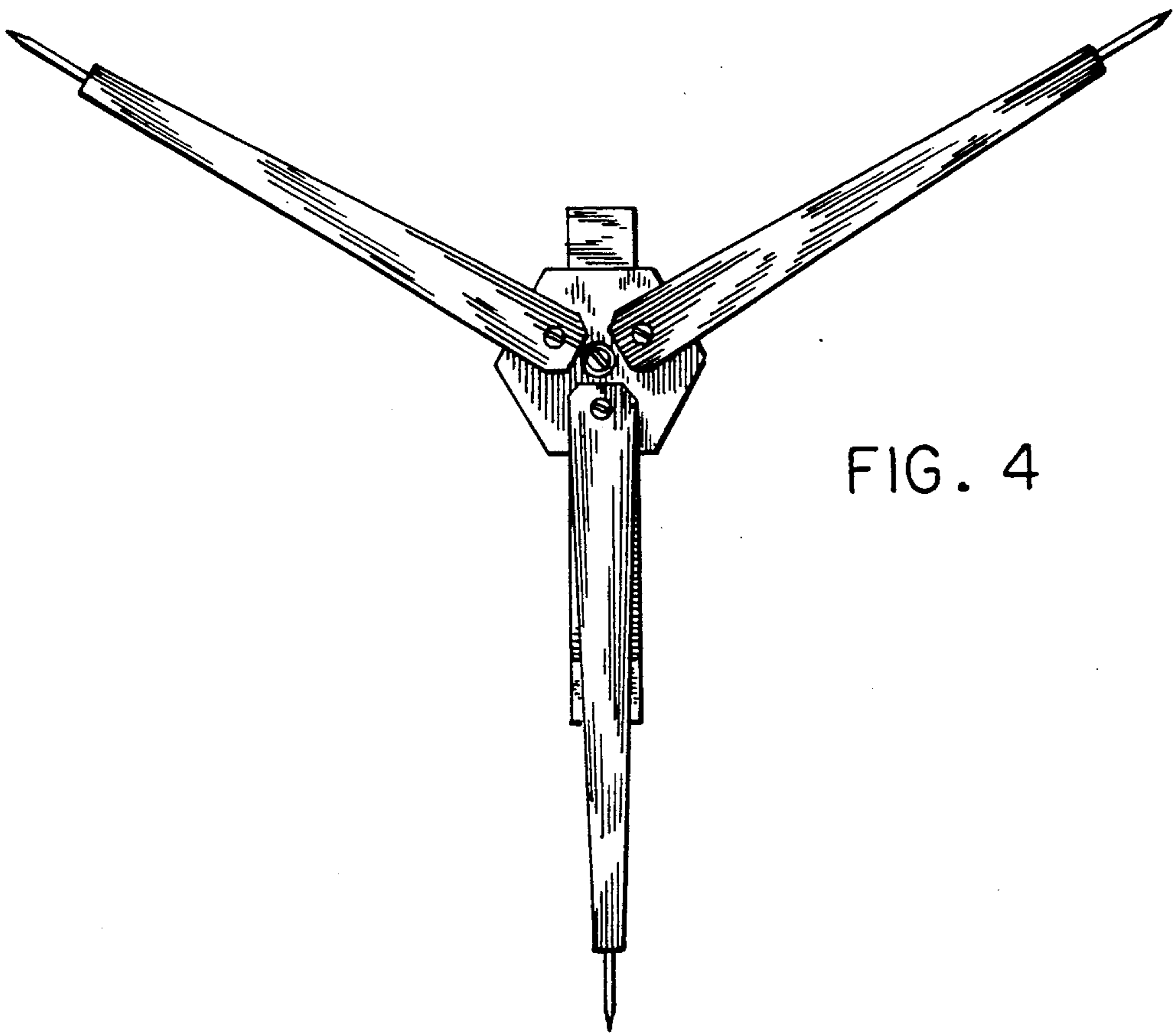


FIG. 4

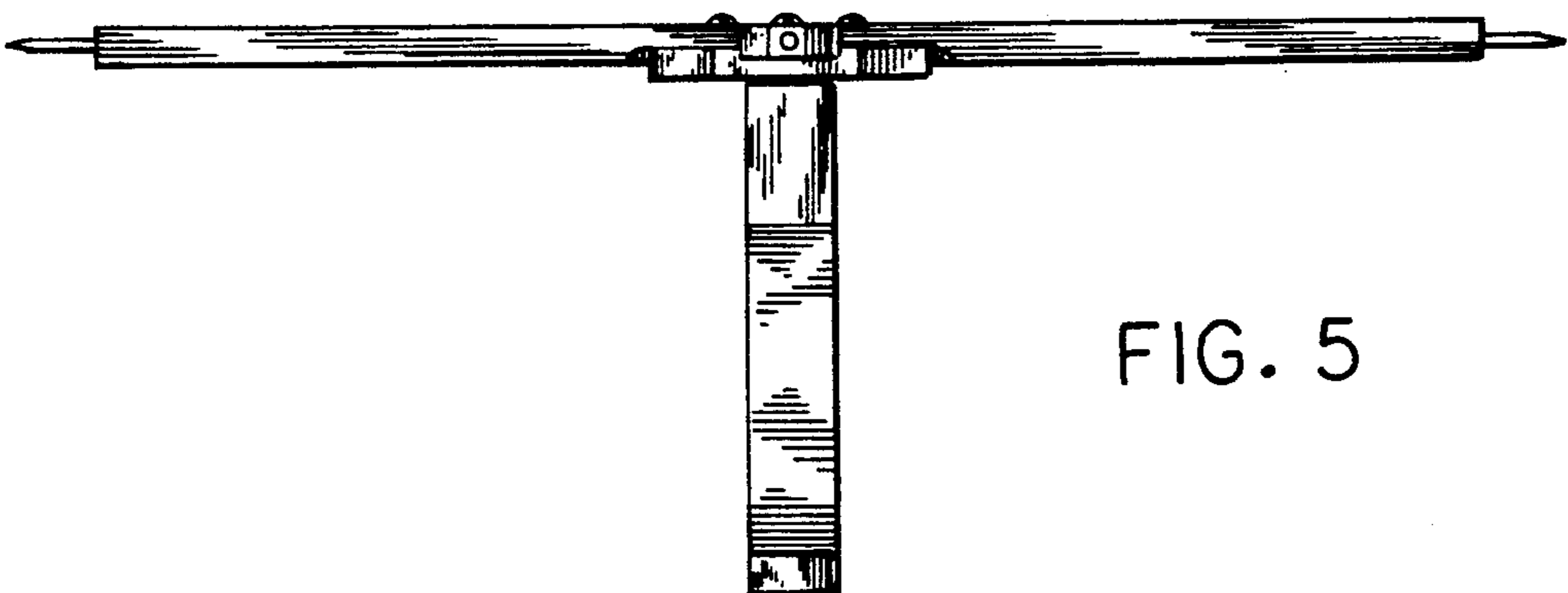


FIG. 5