



US00D330609S

# United States Patent [19]

[11] Patent Number: **Des. 330,609**

Moreau et al.

[45] Date of Patent: **\*\* Oct. 27, 1992**

## [54] TIE STALL DIVIDER

[75] Inventors: **Joseph R. Moreau**, New Hartford;  
**John J. Dyer**, Westmoreland, both of  
N.Y.

[73] Assignee: **Norbco, Inc.**, Westmoreland, N.Y.

[\*\*] Term: **14 Years**

[21] Appl. No.: **594,203**

[22] Filed: **Oct. 9, 1990**

[52] U.S. Cl. .... **D30/119**

[58] Field of Search ..... 119/15, 27, 147.1, 148,  
119/149, 150, 99; D30/114, 119; D25/50-51,  
63, 111; D21/249

## [56] References Cited

### U.S. PATENT DOCUMENTS

D. 187,523	3/1960	Baker	.....	D25/41
D. 203,974	3/1966	Berg	.....	D25/41
D. 273,903	5/1984	Wilcenski et al.	.....	119/27
2,642,037	6/1953	Merrill	.....	119/27
2,974,746	3/1961	Baker	.....	D25/41
3,392,709	7/1968	Janson et al.	.....	119/27
4,217,860	8/1980	Gloggler	.....	119/27
4,343,263	8/1982	Glöggl	.....	119/27
4,936,258	6/1990	Spinder	.....	119/27

## FOREIGN PATENT DOCUMENTS

3317450 11/1984 Fed. Rep. of Germany ..... 119/27  
8203681 4/1984 Netherlands ..... 119/27

*Primary Examiner*—A. Hugo Word  
*Assistant Examiner*—CathyAnne MacCormac  
*Attorney, Agent, or Firm*—Wall and Roehrig

## [57] CLAIM

The ornamental design for a tie stall divider, as shown and described.

## DESCRIPTION

FIG. 1 is a left side elevational view of a tie stall divider showing our new design, the right side being a mirror image of the left side shown;

FIG. 2 is a front elevational view thereof;

FIG. 3 is a rear elevational view thereof;

FIG. 4 is a top plan view thereof;

FIG. 5 is a bottom plan view thereof;

FIG. 6 is a perspective view thereof;

FIG. 7 is a left side elevational view of a second embodiment of FIG. 1, the right side being a mirror image of the left side shown;

FIG. 8 is a rear elevational view thereof, the front elevational view being identical to FIG. 2; and,

FIG. 9 is a bottom plan view thereof, the top plan view being identical to FIG. 4.

The broken-line representation of a cow stall in FIG. 1 is for illustrative purposes only, and forms no part of the claimed design.

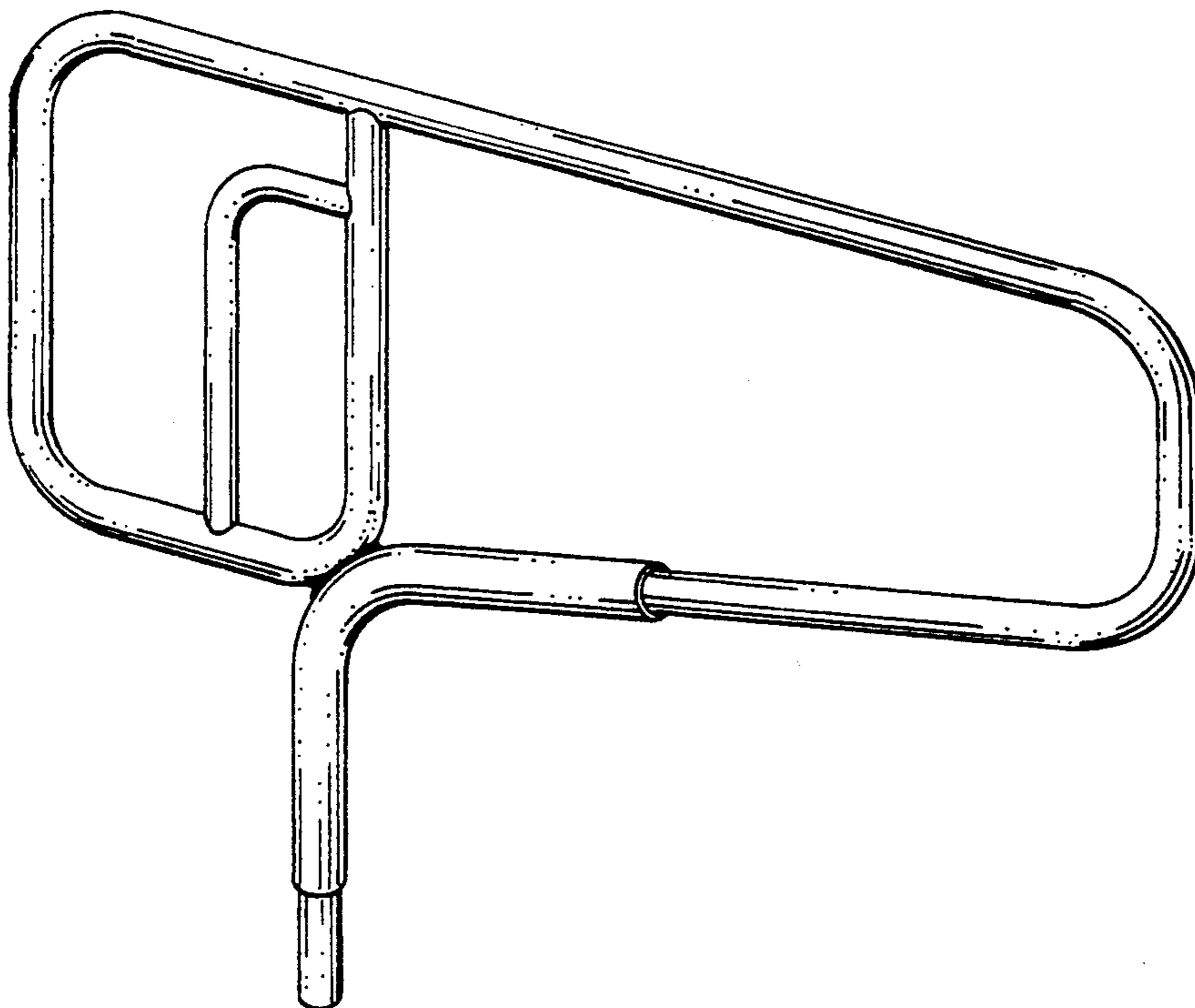




FIG. 4

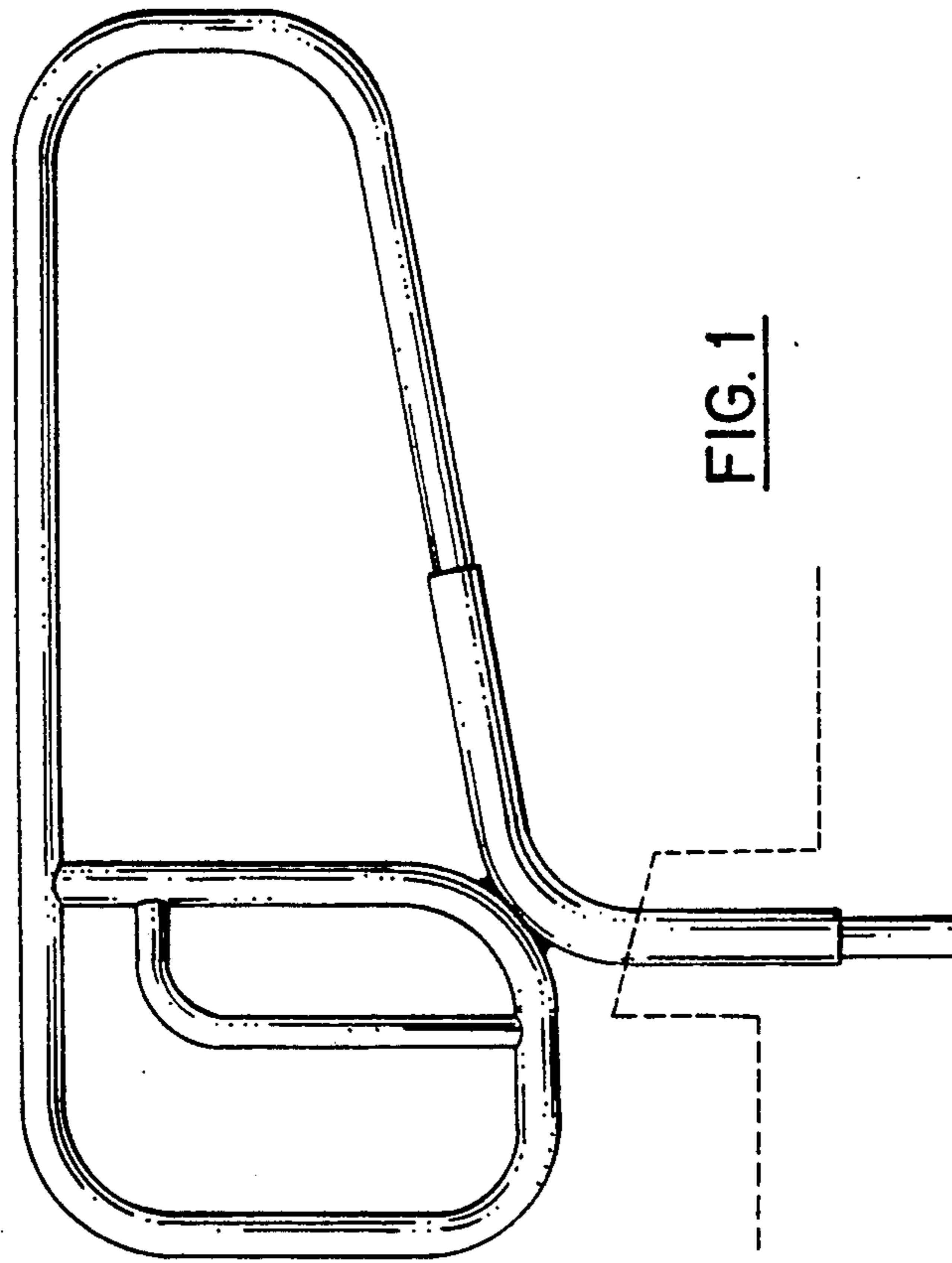


FIG. 1



FIG. 2



FIG. 3

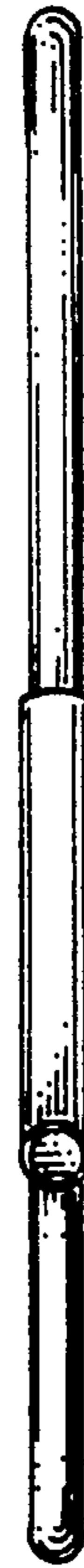


FIG. 5

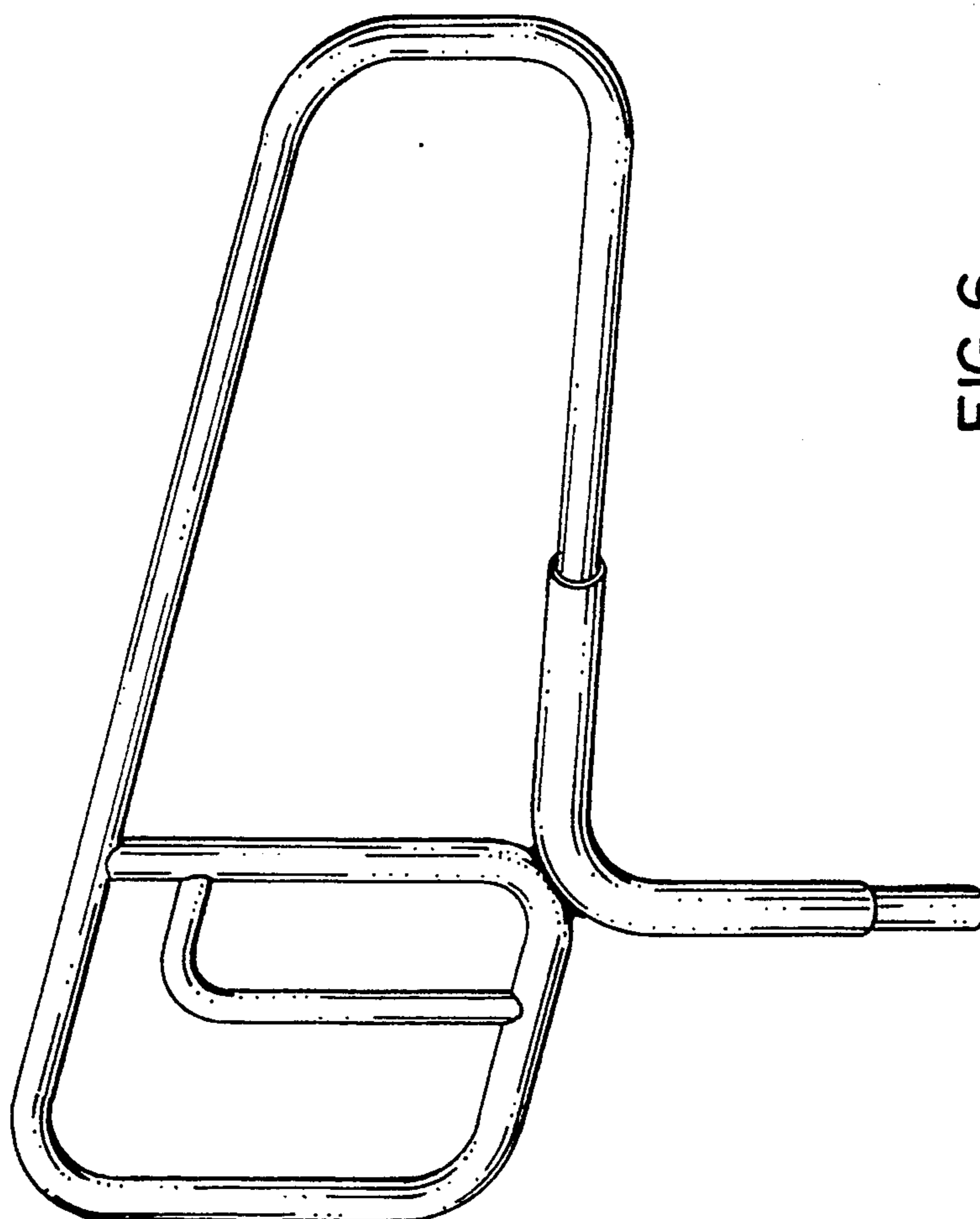


FIG. 6

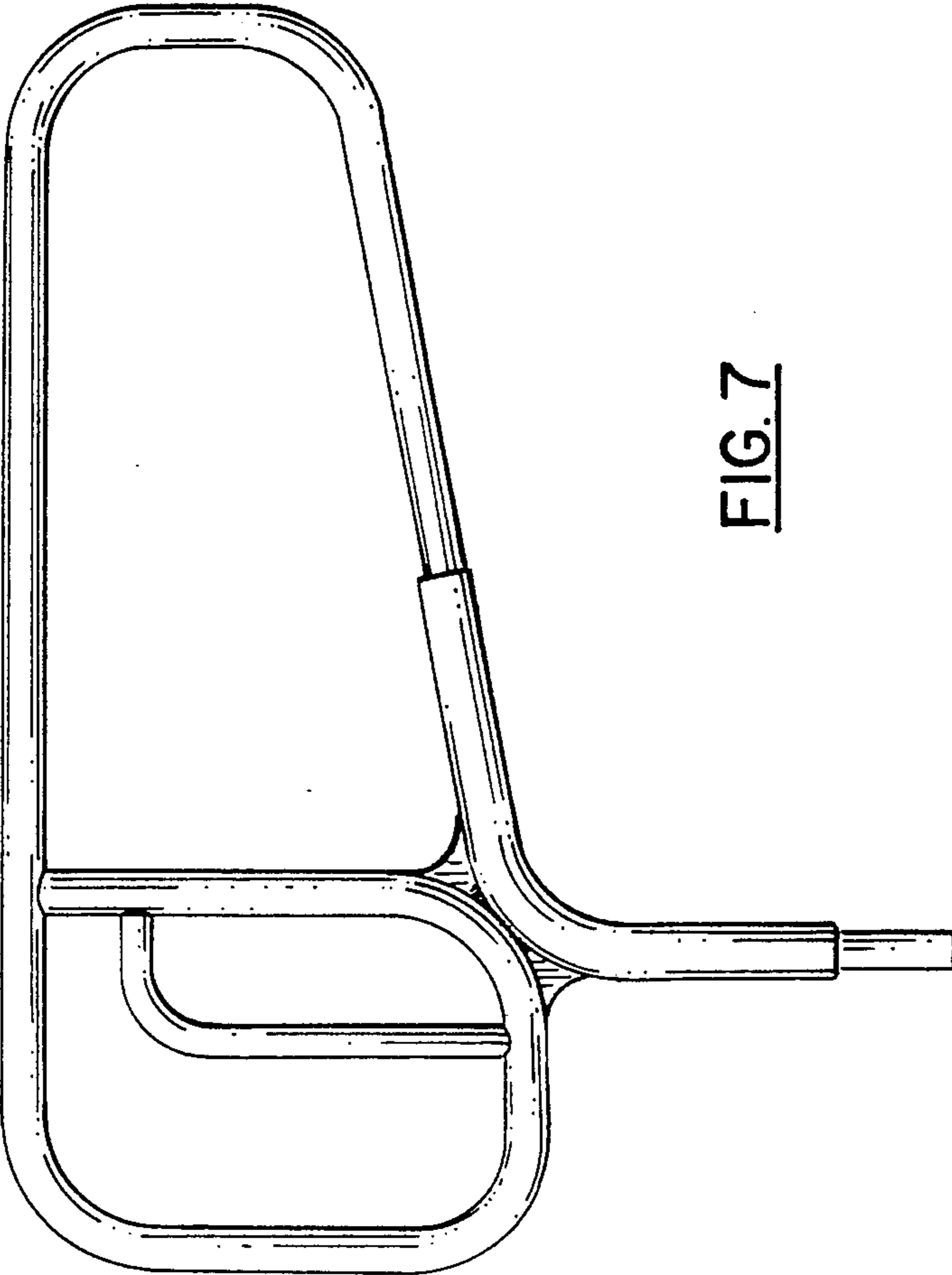


FIG. 7



FIG. 8



FIG. 9