



US00D330607S

United States Patent [19]

[11] Patent Number: **Des. 330,607**

Lunderman et al.

[45] Date of Patent: **** Oct. 27, 1992**

[54] **CUTICLE TRIMMER**

[75] Inventors: **William Lunderman; Bonnie M. Corwin, both of New York, N.Y.**

[73] Assignee: **Revlon Consumer Products Corporation, New York, N.Y.**

[**] Term: **14 Years**

[21] Appl. No.: **536,259**

[22] Filed: **Jun. 11, 1990**

[52] U.S. Cl. **D28/57**

[58] Field of Search **D28/9, 56-59, D28/62; D8/14, 105, 107, DIG. 4-7; 132/73, 73.5, 75.3, 75.6**

[56] **References Cited**

U.S. PATENT DOCUMENTS

D. 147,593	9/1947	Lipic	D8/102
D. 299,875	2/1989	Lang	D28/57
1,905,976	4/1933	Wolf	132/75.3
3,203,433	8/1965	Miller	D28/59 X

FOREIGN PATENT DOCUMENTS

537884	5/1955	Belgium	15/104 R
2101341	of 1972	Fed. Rep. of Germany	132/76
141337	9/1930	United Kingdom	132/76.4

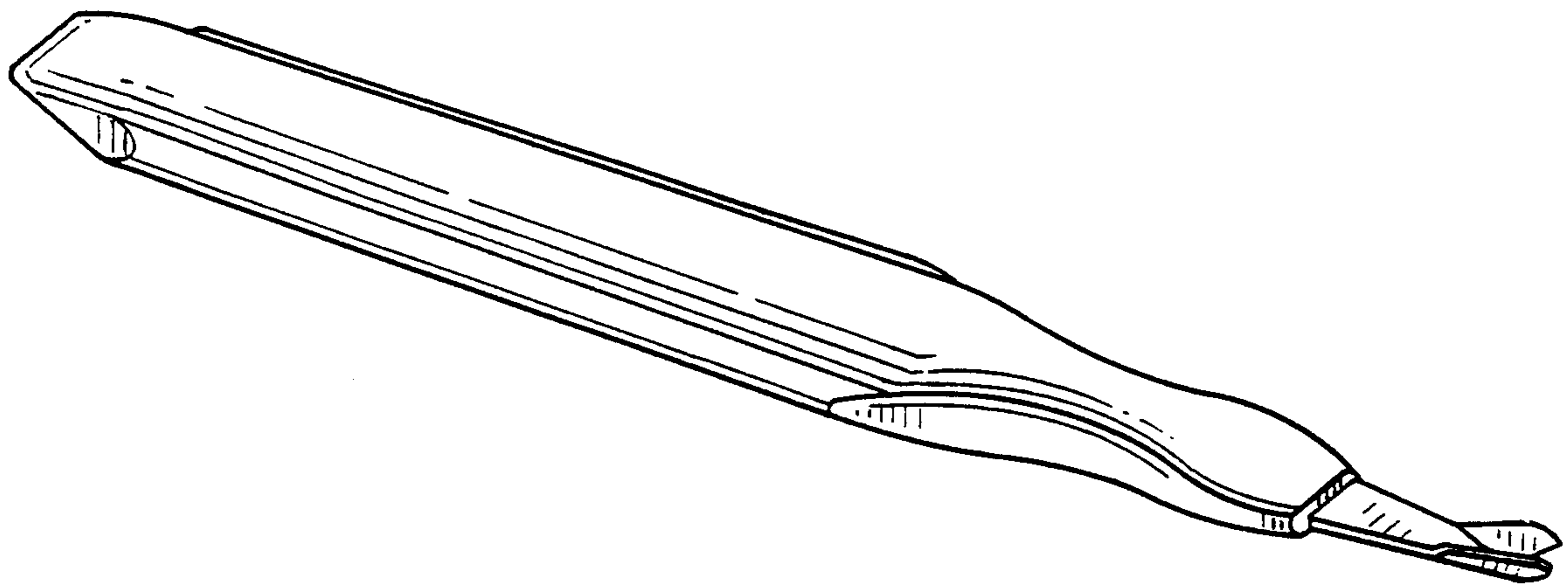
Primary Examiner—Bernard Ansher
Assistant Examiner—C. Tuttle
Attorney, Agent, or Firm—Julie Blackburn

[57] **CLAIM**

The ornamental design for a cuticle trimmer, as shown and described.

DESCRIPTION

FIG. 1 is a perspective view of a cuticle trimmer showing our new design;
FIG. 2 is a right side elevational view thereof, the side opposite being a mirror image of the side shown;
FIG. 3 is a top plan view thereof;
FIG. 4 is a bottom plan view thereof;
FIG. 5 is an enlarged front end elevational view;
FIG. 6 is a rear end elevational view thereof; and,
FIG. 7 is an enlarged fragmentary cross sectional view taken on line 7—7 of FIG. 5.



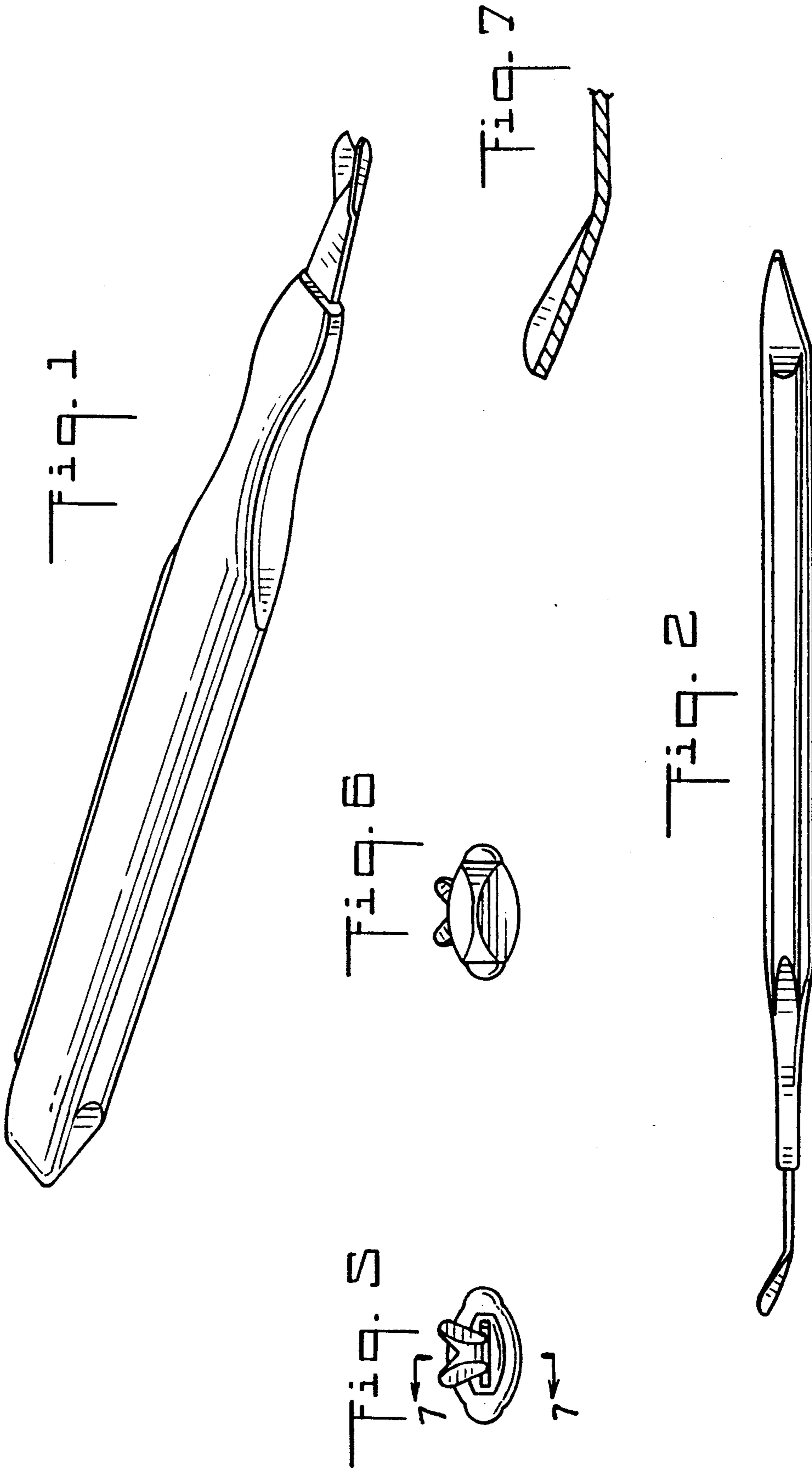


Fig. 3

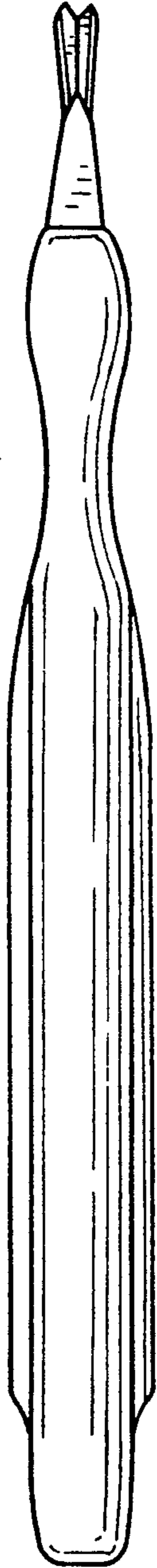


Fig. 4

