



US00D330605S

United States Patent [19]

Scarpa et al.

[11] Patent Number: **Des. 330,605**

[45] Date of Patent: **** Oct. 27, 1992**

[54] **ADJUSTABLE TABLE LAMP**

[75] Inventors: **Afra B. Scarpa; Tobia Scarpa**, both of Trevignano, Italy

[73] Assignee: **Flos S.p.A.**, Italy

[**] Term: **14 Years**

[21] Appl. No.: **654,905**

[22] Filed: **Feb. 13, 1991**

[30] **Foreign Application Priority Data**

Jul. 31, 1990 [IT] Italy 7027/90[U]
[52] U.S. Cl. **D26/63**
[58] Field of Search D26/60-66;
362/269, 277, 285, 413, 418, 419, 427, 401, 402

[56] **References Cited**

U.S. PATENT DOCUMENTS

D. 302,865 8/1989 Von Klier D26/63
D. 321,948 11/1991 Huang D26/65
4,892,278 1/1990 Huang 362/427 X

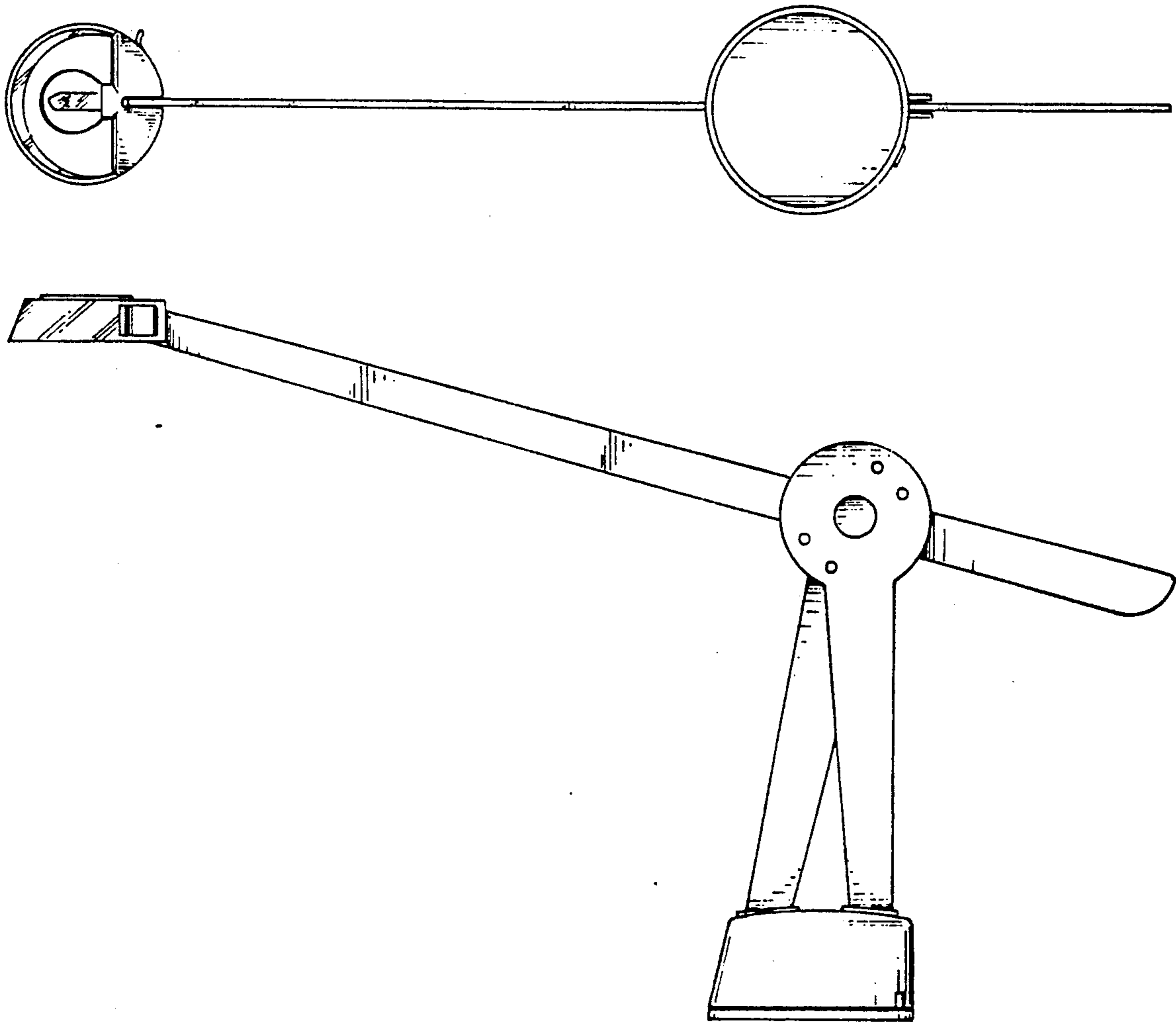
Primary Examiner—Susan J. Lucas
Attorney, Agent, or Firm—McGlew & Tuttle

[57] **CLAIM**

The ornamental design for an adjustable table lamp, as shown and described.

DESCRIPTION

FIG. 1 is a side elevational view of an adjustable table lamp showing our new design, the opposite side being a mirror image but for omission of the switch on the shade and the aperture on the base;
FIG. 2 is a top plan view thereof;
FIG. 3 is a bottom plan view thereof;
FIG. 4 is a front elevational view thereof; and,
FIG. 5 is a rear elevational view thereof.



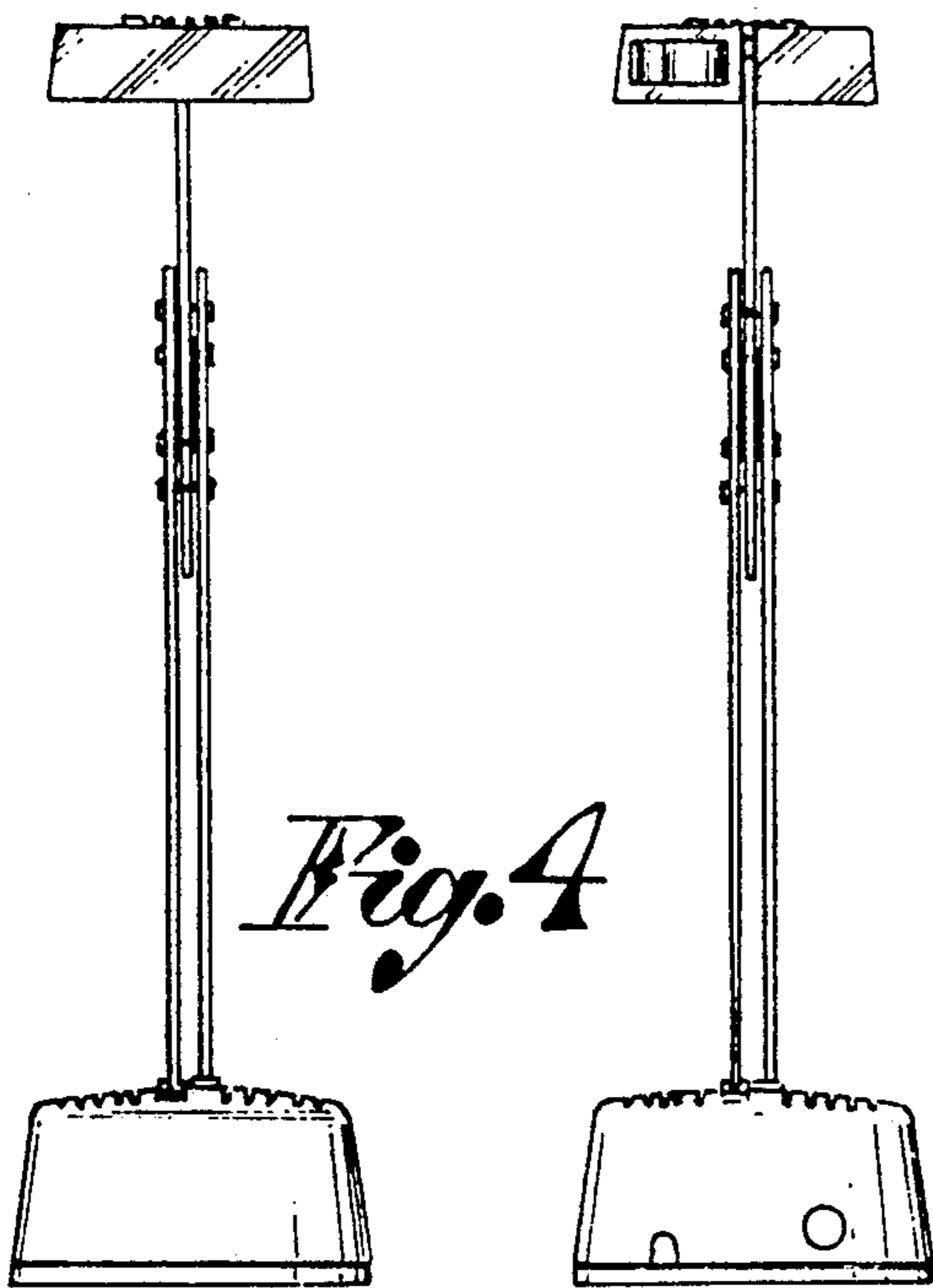
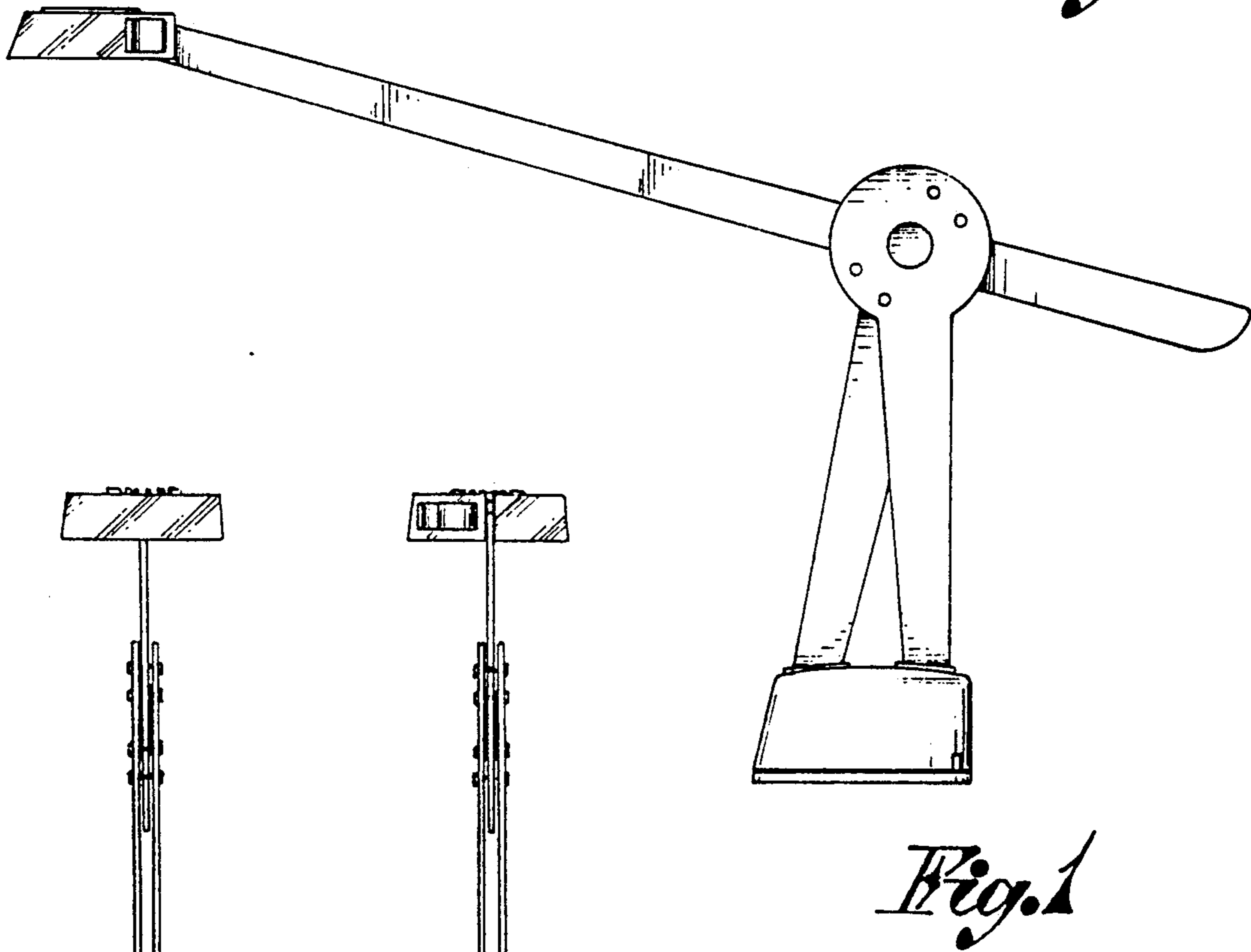
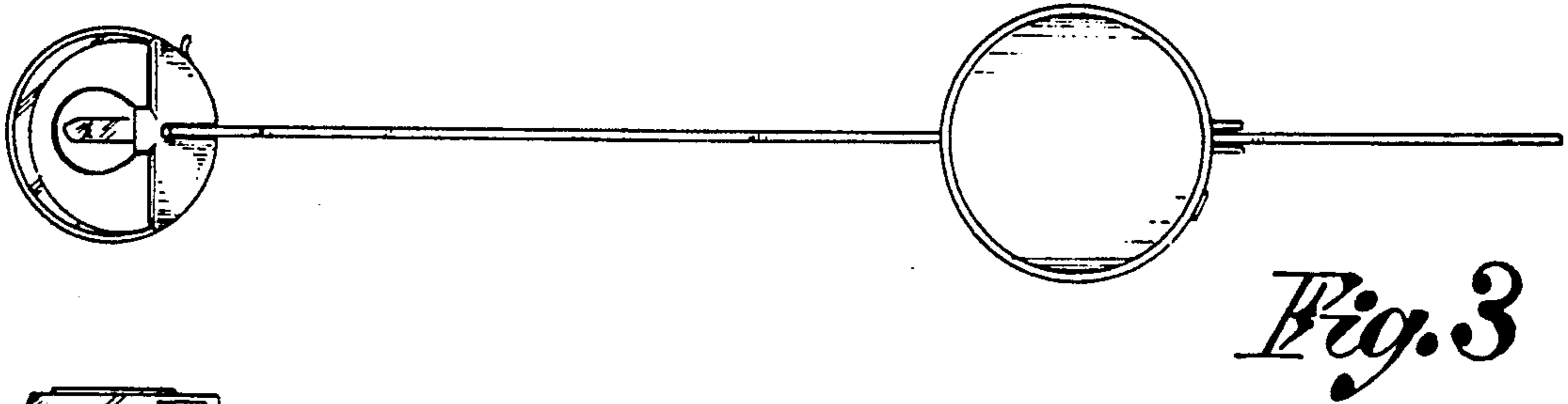
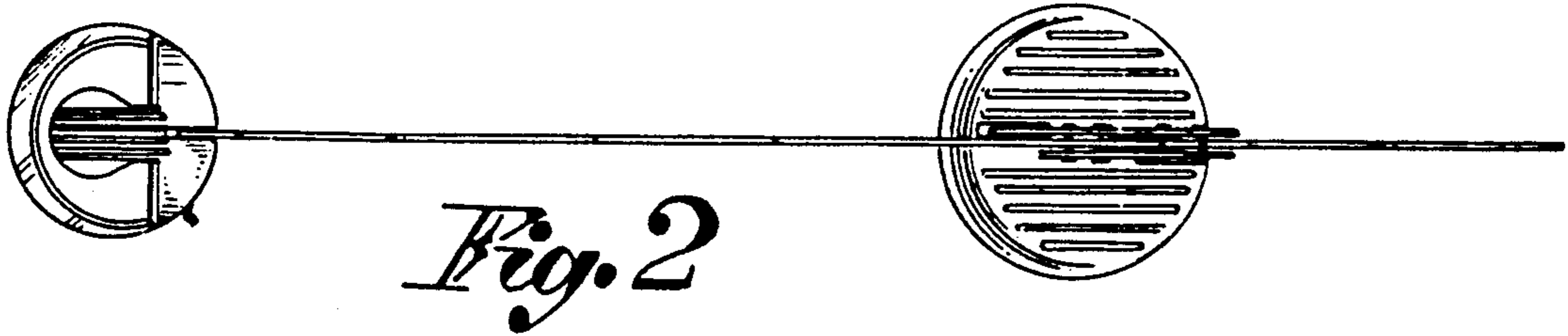


Fig. 5