



US00D330602S

United States Patent [19]

Bay et al.

[11] Patent Number: Des. 330,602

[45] Date of Patent: ** Oct. 27, 1992

[54] CHEMILUMINESCENT SIGNAL FOR ATTACHMENT TO THE ARM

5,083,242 1/1992 Piotrowski 362/34

[75] Inventors: William E. Bay, Darien, Conn.; John J. Freeman, Jr.; Robert D. Giglia, both of Westchester, N.Y.

Primary Examiner—Wallace R. Burke
Assistant Examiner—Marcia Jackson
Attorney, Agent, or Firm—Frank M. Van Riet

[73] Assignee: American Cyanamid Company, Stamford, Conn.

[57] CLAIM

The ornamental design for a chemiluminescent signal for attachment to the arm, as shown and described.

[**] Term: 14 Years

DESCRIPTION

[21] Appl. No.: 652,744

[22] Filed: Feb. 8, 1991

[52] U.S. Cl. D26/39; D10/111

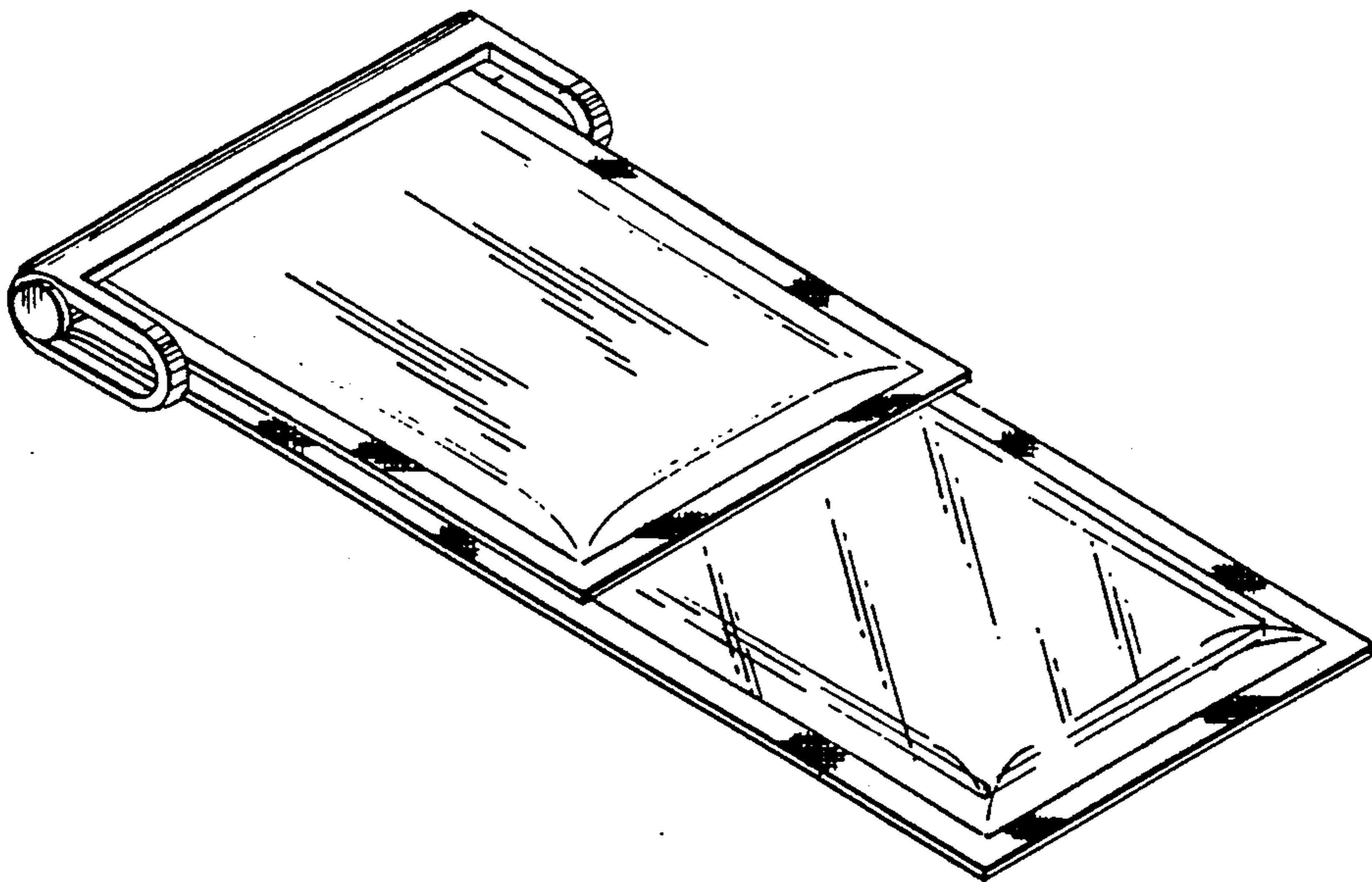
[58] Field of Search D10/109, 111, 121; 359/515, 516, 517, 518, 519; 362/34; D26/37, 39

FIG. 1 is a perspective view of a chemiluminescent signal for attachment to the arm showing our new design;
FIG. 2 is a side elevational view thereof, with the opposite side being a mirror image;
FIG. 3 is a rear elevational view thereof;
FIG. 4 is a bottom plan view thereof;
FIG. 5 is a perspective view thereof, with the signal shown in open condition;
FIG. 6 is a front elevational view thereof;
FIG. 7 is a side elevational view thereof, with the opposite side being a mirror image;
FIG. 8 is a rear elevational view thereof; and,
FIG. 9 is a bottom plan view thereof.

[56] References Cited

U.S. PATENT DOCUMENTS

3,800,730	4/1974	Taylor	359/516
3,808,414	4/1974	Roberts	362/34
3,849,804	11/1974	Rakow	359/518



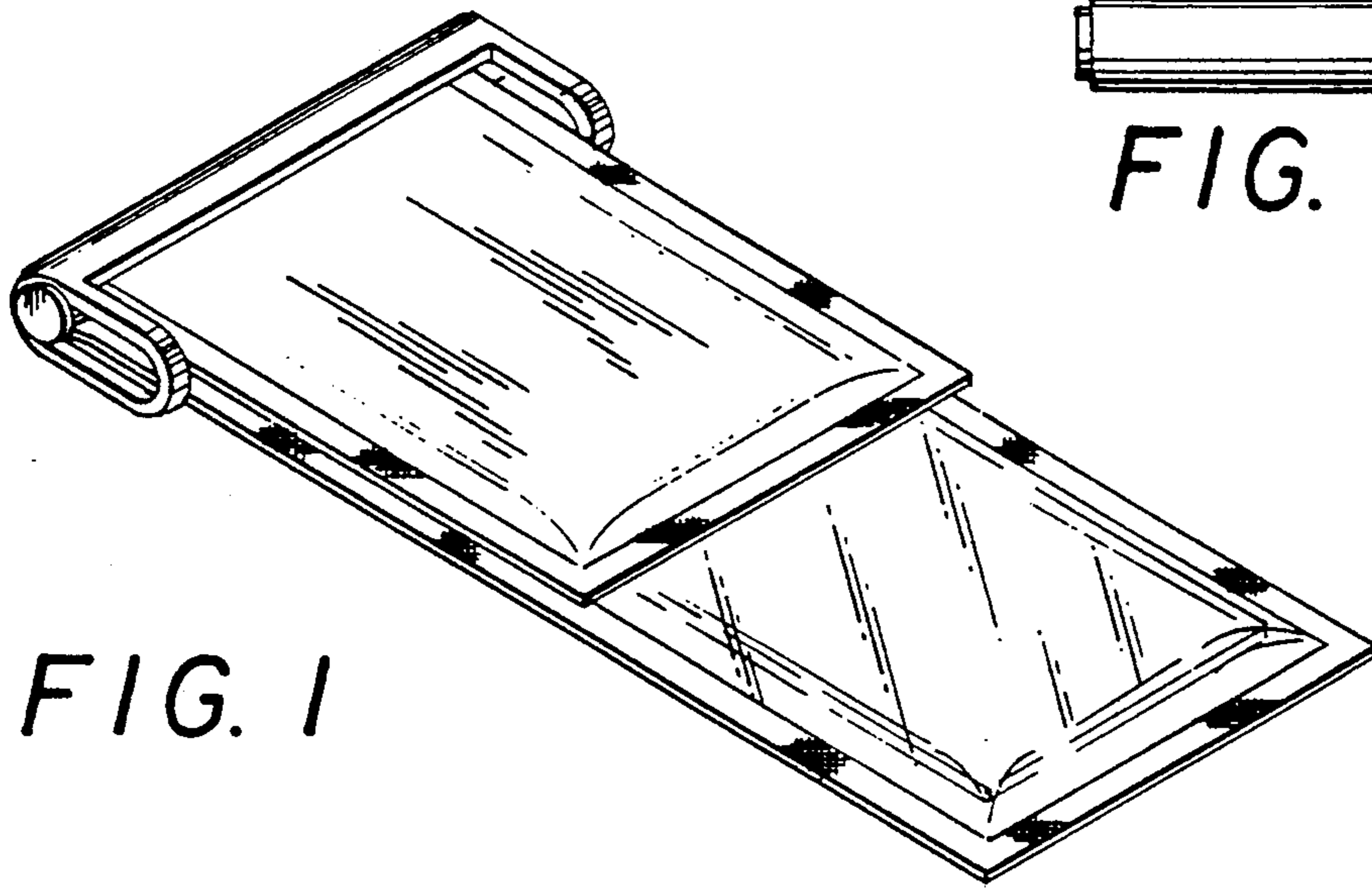


FIG. 1

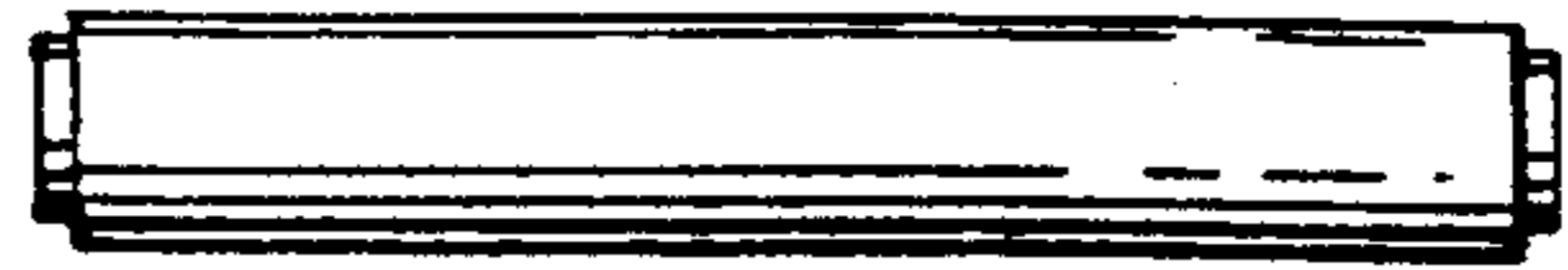


FIG. 4

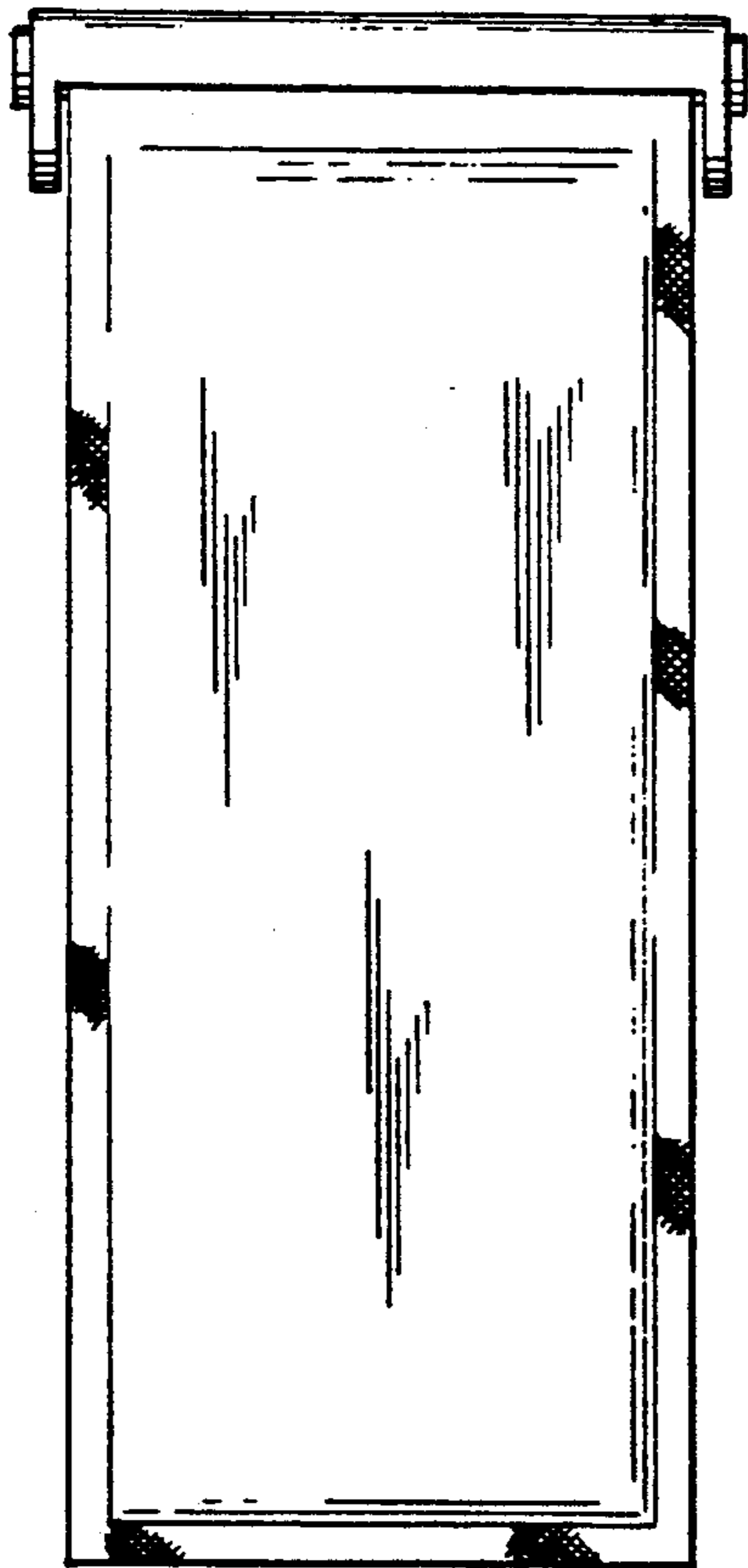


FIG. 3



FIG. 2

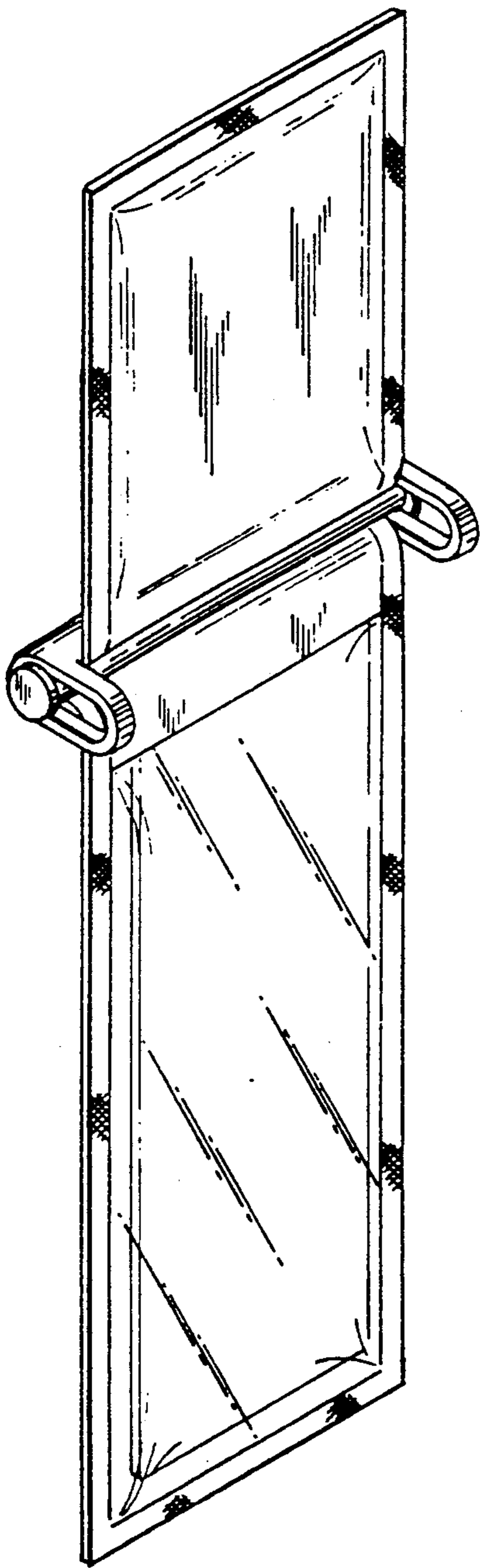


FIG. 5

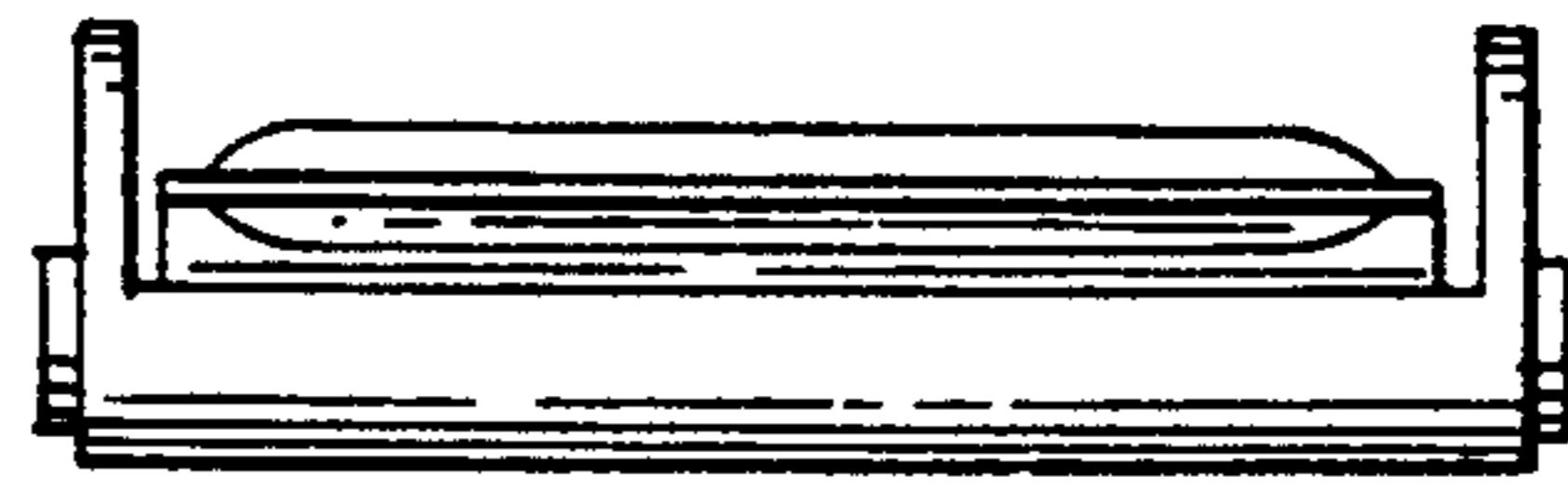


FIG. 9

FIG. 8



FIG. 7

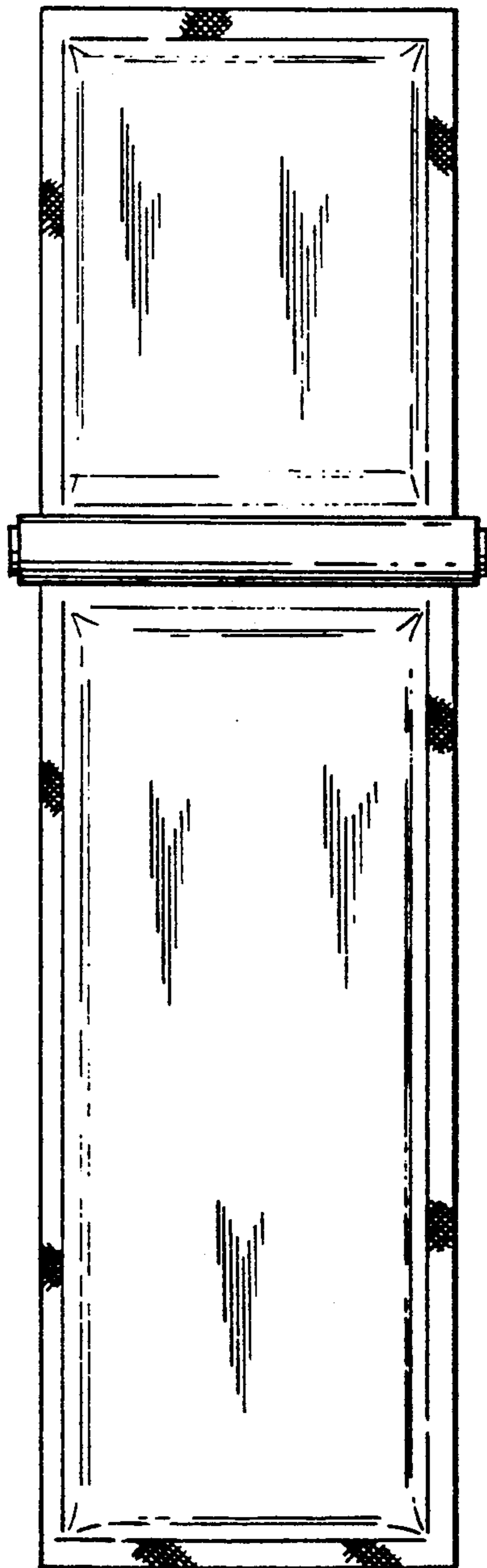
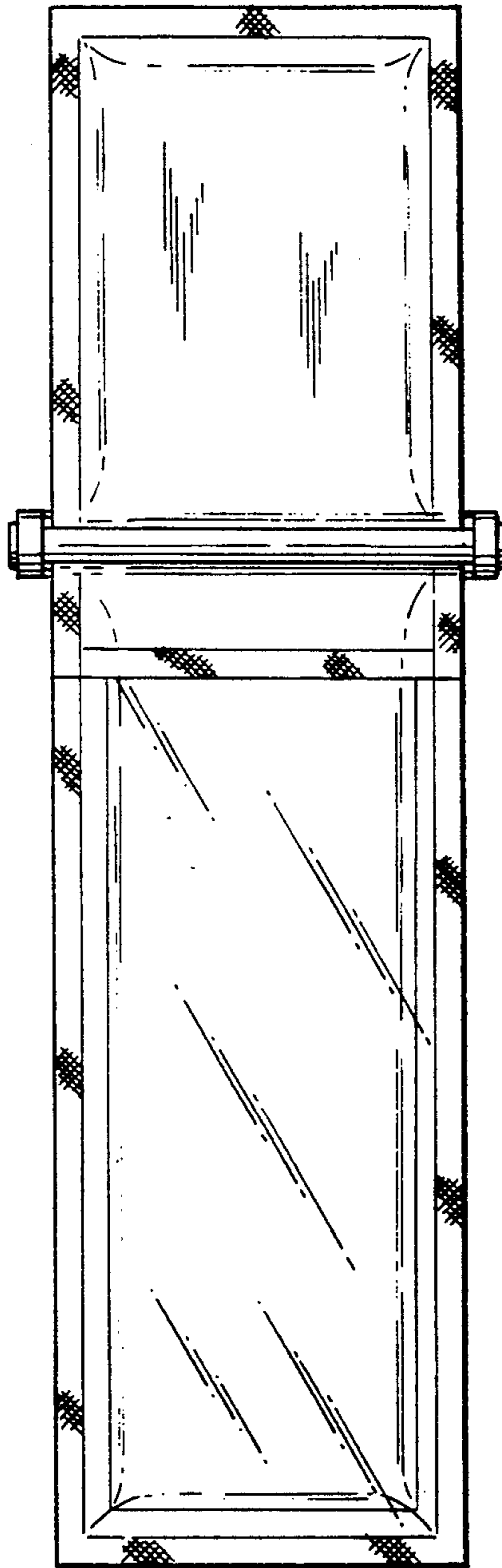


FIG. 6



UNITED STATES PATENT AND TRADEMARK OFFICE
CERTIFICATE OF CORRECTION

PATENT NO. :Des. 330,602

DATED :October 27, 1992

INVENTOR(S) :William E. Bay, et. al.

It is certified that error appears in the above-identified patent and that said Letters Patent is hereby corrected as shown below:

Col. 1, line 1 and
On the Title page, item [54], the title should read--CHEMILUMINESCENT
LIGHT FOR ATTACHMENT TO A SURFACE--.

On the Title page, item [57], the claim should read-- The ornamental design
for a Chemiluminescent Light For Attachment To A Surface as shown and
described--.

Signed and Sealed this
Ninth Day of November, 1993

Attest:



BRUCE LEHMAN

Attesting Officer

Commissioner of Patents and Trademarks