



US00D330595S

# United States Patent [19]

Sato et al.

[11] Patent Number: **Des. 330,595**

[45] Date of Patent: **\*\* Oct. 27, 1992**

[54] **WAVEFORM/TREND RECORDER**  
[75] Inventors: **Stephens N. Sato, Del Mar; Wallace L. Knute, Leucadia, both of Calif.**

3,456,648 7/1969 Lee et al. .... 128/214  
3,590,809 7/1971 London ..... 128/2.05 D  
3,602,214 8/1971 London et al. .... 128/2.05 D  
4,201,222 5/1980 Haase ..... 128/634  
4,347,851 9/1982 Judanian ..... 128/668  
4,460,358 7/1984 Somerville et al. .... D24/111 X

[73] Assignee: **Camino Laboratories, Inc., San Diego, Calif.**

[\*\*] Term: **14 Years**

[21] Appl. No.: **477,219**

[22] Filed: **Feb. 8, 1990**

[52] U.S. Cl. .... **D24/169; D24/186**

[58] Field of Search ..... **D10/46, 75, 81; D24/108, 111, 165, 169, 186; 128/637, 665, 666, 667, DIG. 13**

### OTHER PUBLICATIONS

Camino Laboratories, Camino System 420, Sep. 1985, front cover.

*Primary Examiner*—Donald P. Walsh  
*Assistant Examiner*—Antoine D. Davis  
*Attorney, Agent, or Firm*—Fulwider Patton Lee & Utecht

### [56] References Cited

#### U.S. PATENT DOCUMENTS

D. 222,956	2/1972	Sato	.....	D24/111
D. 222,957	2/1972	Sato	.....	D24/111
D. 268,284	3/1983	Manno et al.	.....	D24/111
D. 278,743	5/1985	Manno et al.	.....	D24/8
D. 285,112	8/1986	Sato et al.	.....	D24/17
D. 296,240	6/1988	Albright et al.	.....	D24/186
D. 296,823	7/1988	Kuwa et al.	.....	D24/186
D. 300,359	3/1989	Lee et al.	.....	D24/186
D. 312,307	11/1990	Leibson et al.	.....	D24/186 X

### CLAIM

[57] The ornamental design for a waveform/trend recorder, as shown and described.

### DESCRIPTION

FIG. 1 is a top, front and left side perspective view of a direct pressure monitor showing our new design; FIG. 2 is a front elevational view; FIG. 3 is a right side elevational view; FIG. 4 is a rear elevational view; FIG. 5 is a left side elevational view; FIG. 6 is a top plan view; and, FIG. 7 is a bottom plan view thereof.

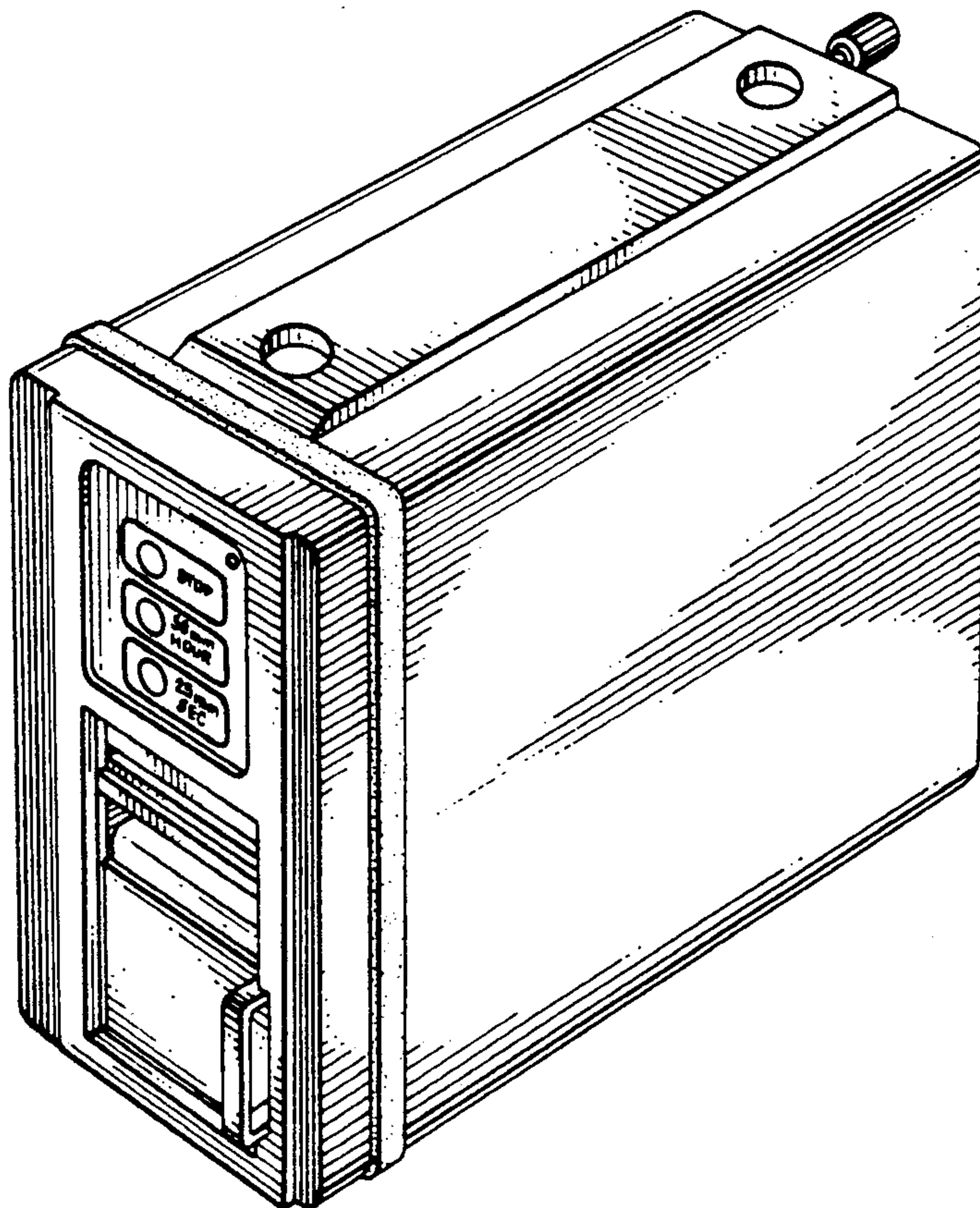


FIG. 1

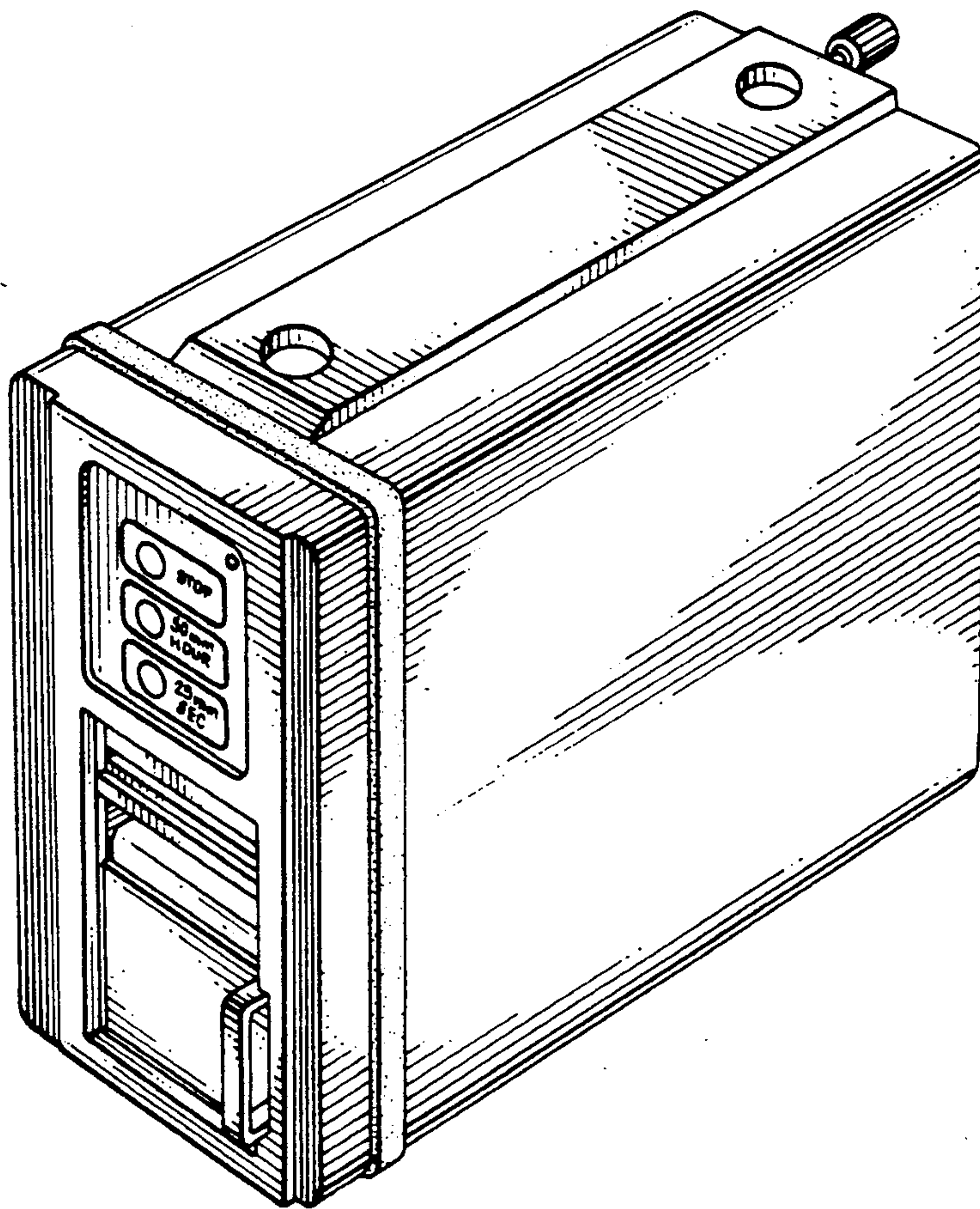


FIG. 2

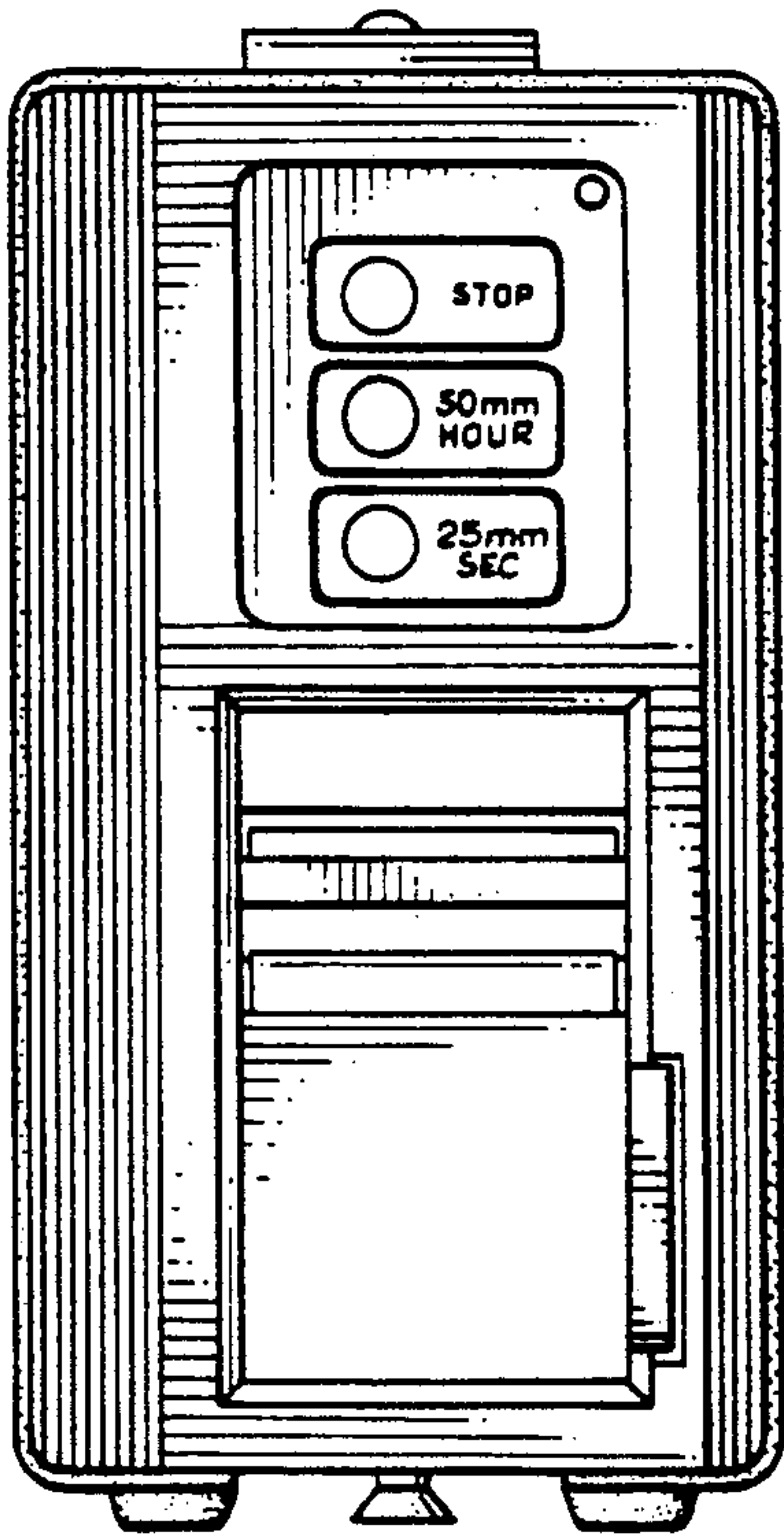


FIG. 4

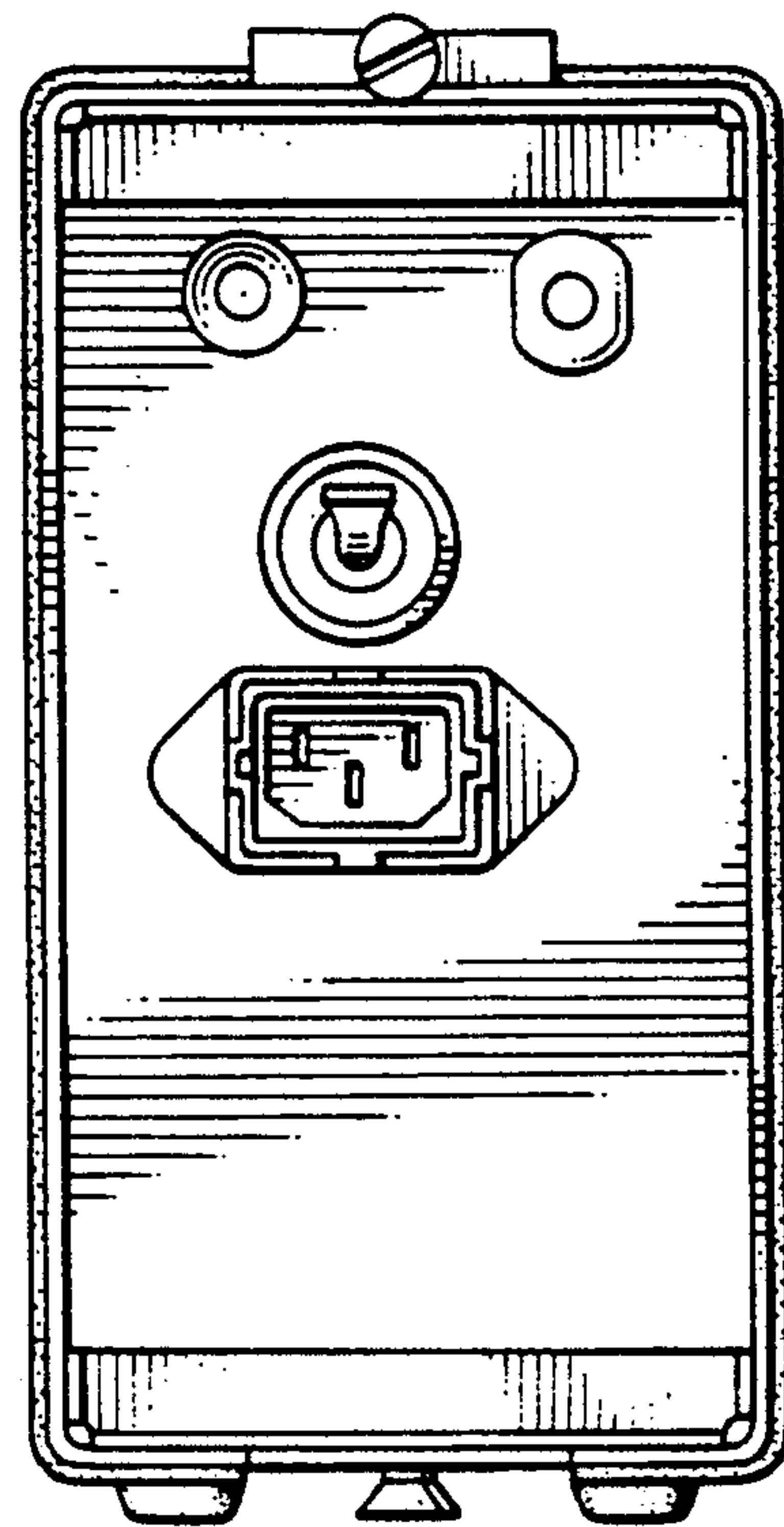


FIG. 3

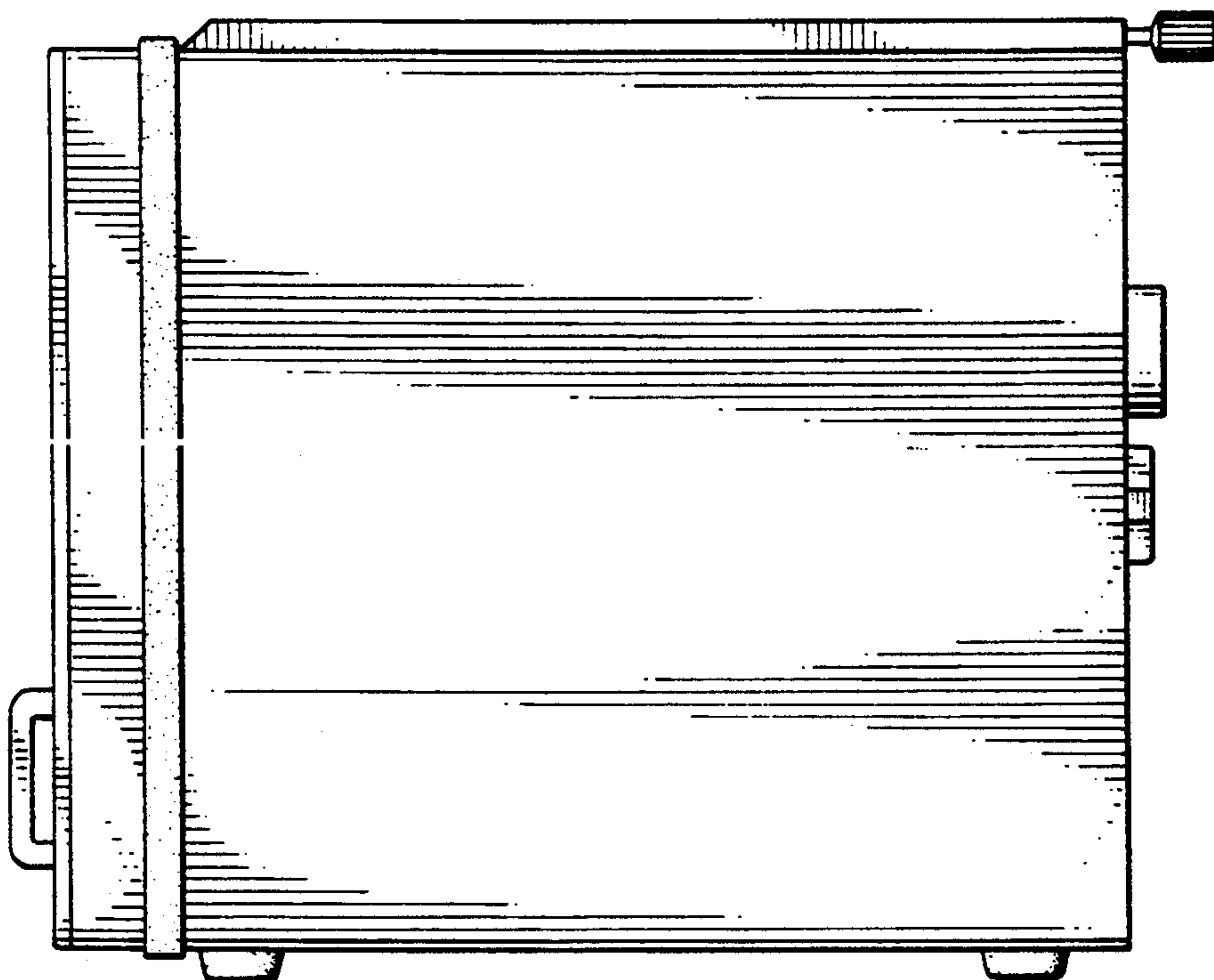




FIG. 5

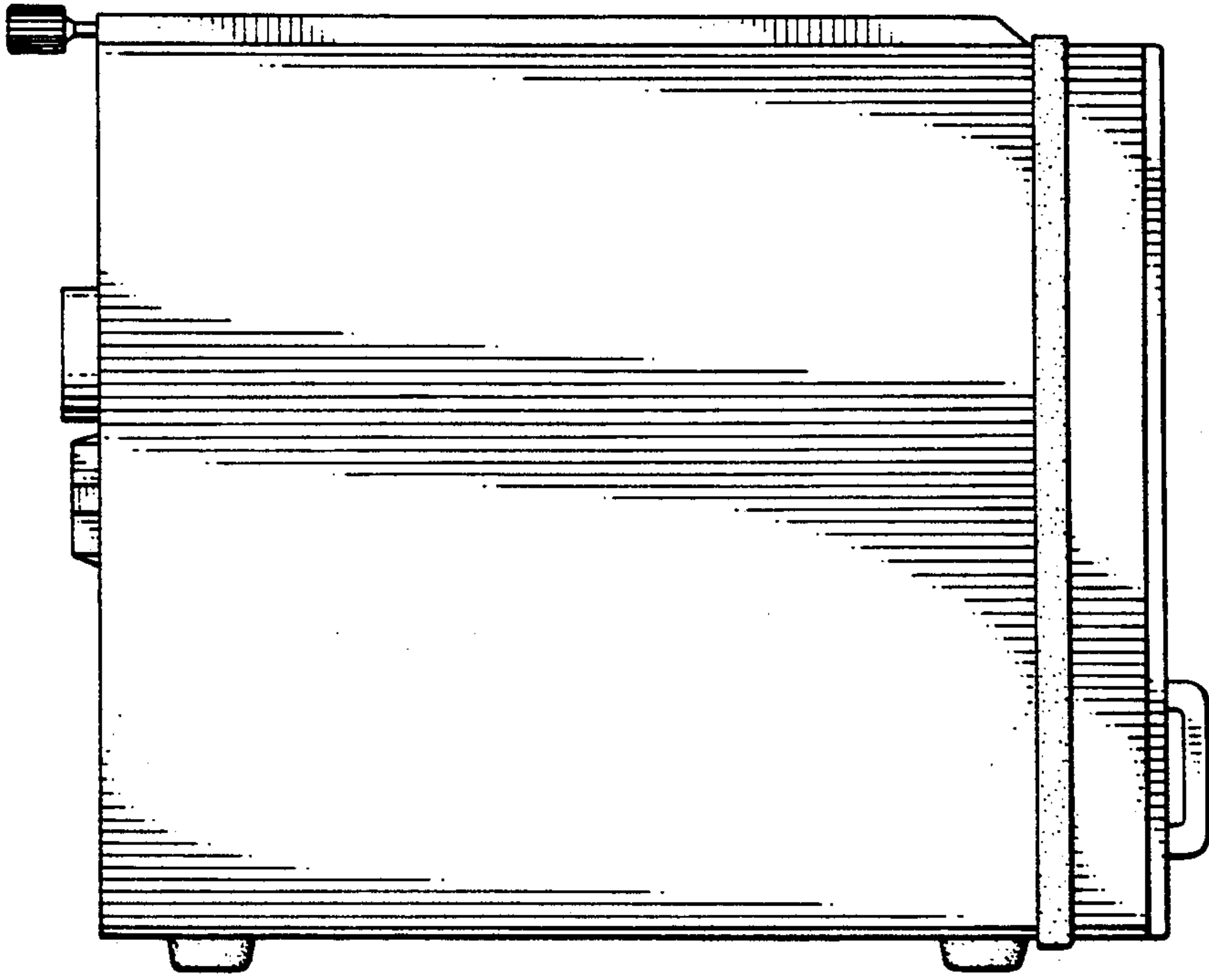


FIG. 6

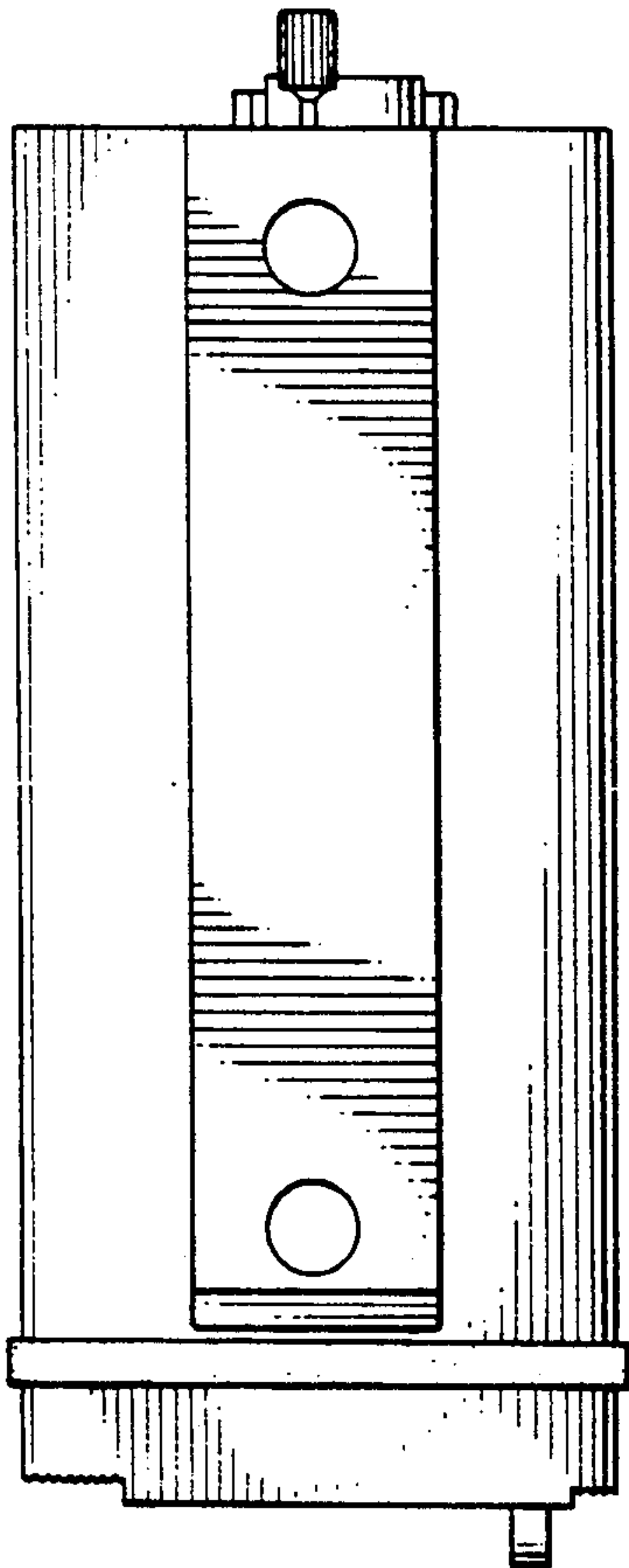


FIG. 7

