



US00D330594S

United States Patent [19]

Koshino

[11] Patent Number: Des. 330,594

[45] Date of Patent: ** Oct. 27, 1992

[54] PORTABLE BLOOD PRESSURE MONITOR

[75] Inventor: Shinji Koshino, Shibukawa, Japan

[73] Assignee: Nihon Seimitsu Sokki Co., Ltd., Japan

[**] Term: 14 Years

[21] Appl. No.: 499,825

[22] Filed: Mar. 26, 1990

[52] U.S. Cl. D24/165

[58] Field of Search D10/46, 75, 103;
D24/165, 167, 169, 186; 128/672, 677, 680, 681,
682, 686, 687, 774, 778

[56] References Cited

U.S. PATENT DOCUMENTS

D. 297,568	9/1988	Francis	D24/165
D. 321,561	11/1991	Elkerbout	D24/165
4,796,184	1/1989	Bahr et al.	D24/165 X
5,095,912	3/1992	Tomita	128/680 X

OTHER PUBLICATIONS

Living Catalog, pressure & pulse monitor, May 1983, p. 28.

Walgreens Sales flyer, dated Jan. 1988.

Sears Health Care Catalog, Mar. 31, 1990, pp. 18 and 19.

Primary Examiner—Donald P. Walsh

Assistant Examiner—Antoine D. Davis

Attorney, Agent, or Firm—Nikaido, Marmelstein, Murray & Oram

[57] CLAIM

The ornamental design for a portable blood pressure monitor, as shown and described.

DESCRIPTION

FIG. 1 is a top, front and right side perspective view of a portable blood pressure monitor showing my new design;

FIG. 2 is a top plan view;

FIG. 3 is a front elevational view;

FIG. 4 is a rear elevational view;

FIG. 5 is a right elevational view;

FIG. 6 is a left side elevational view; and,

FIG. 7 is a bottom plan view thereof.

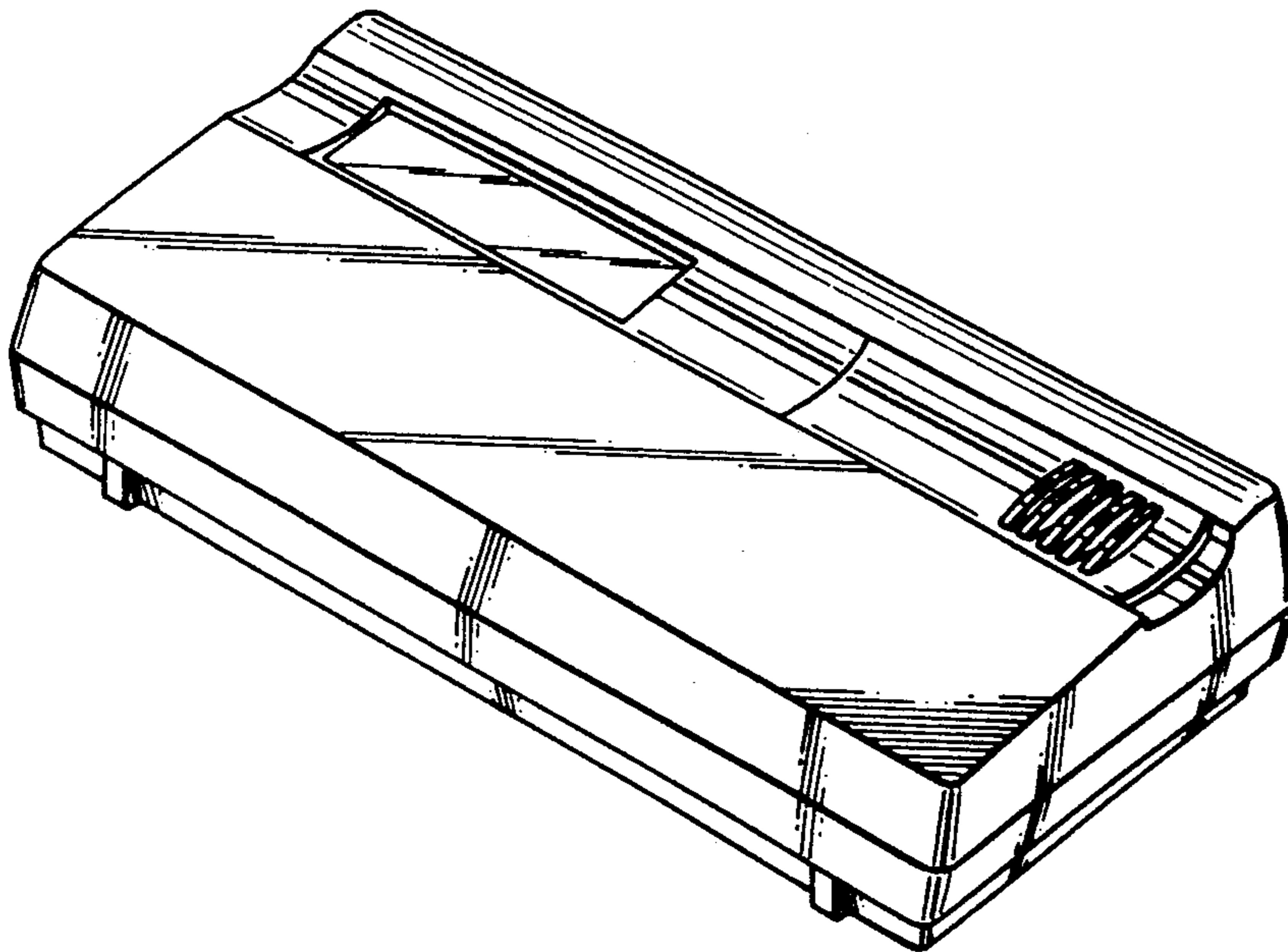


FIG. 1

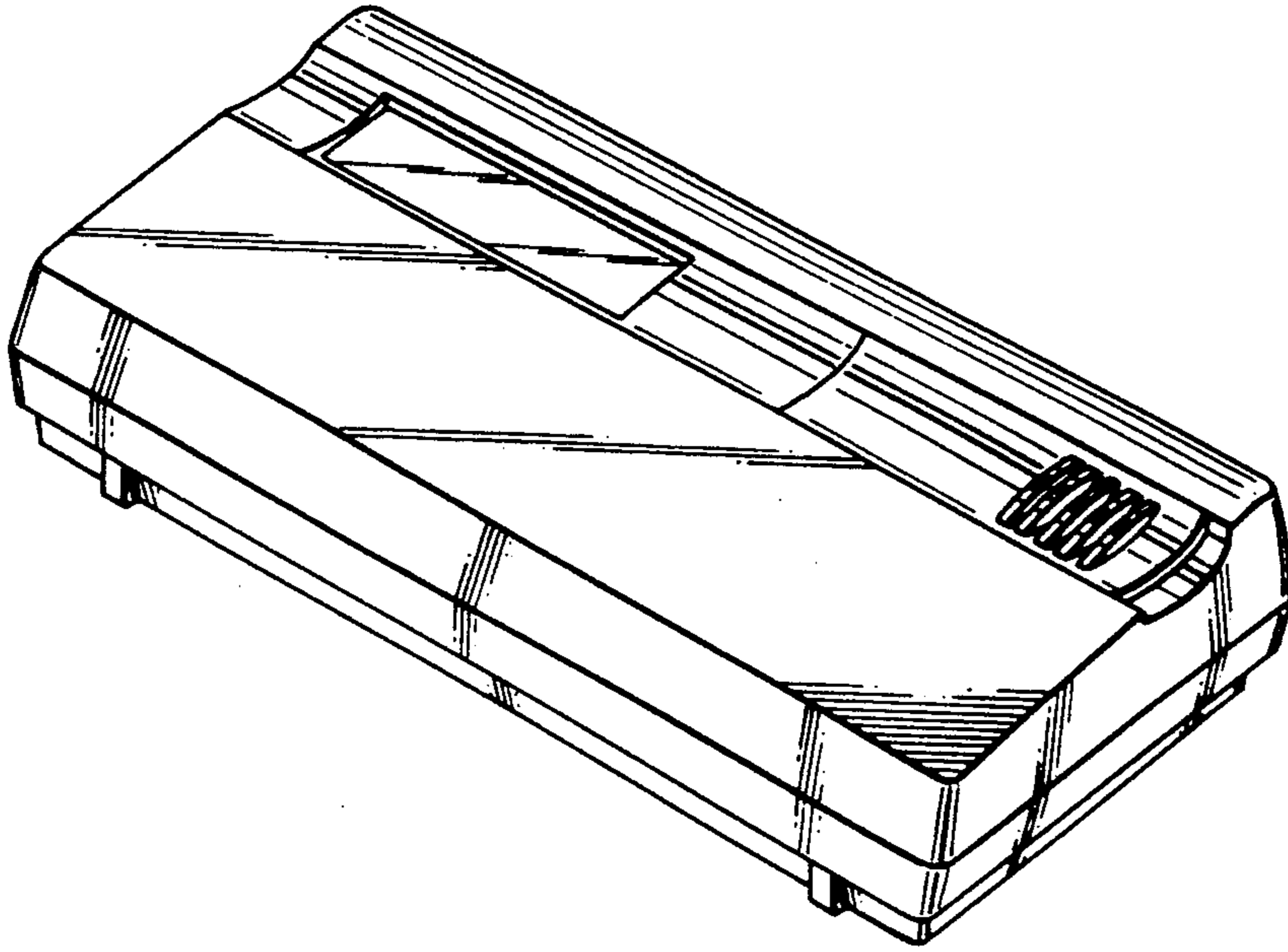


FIG. 2

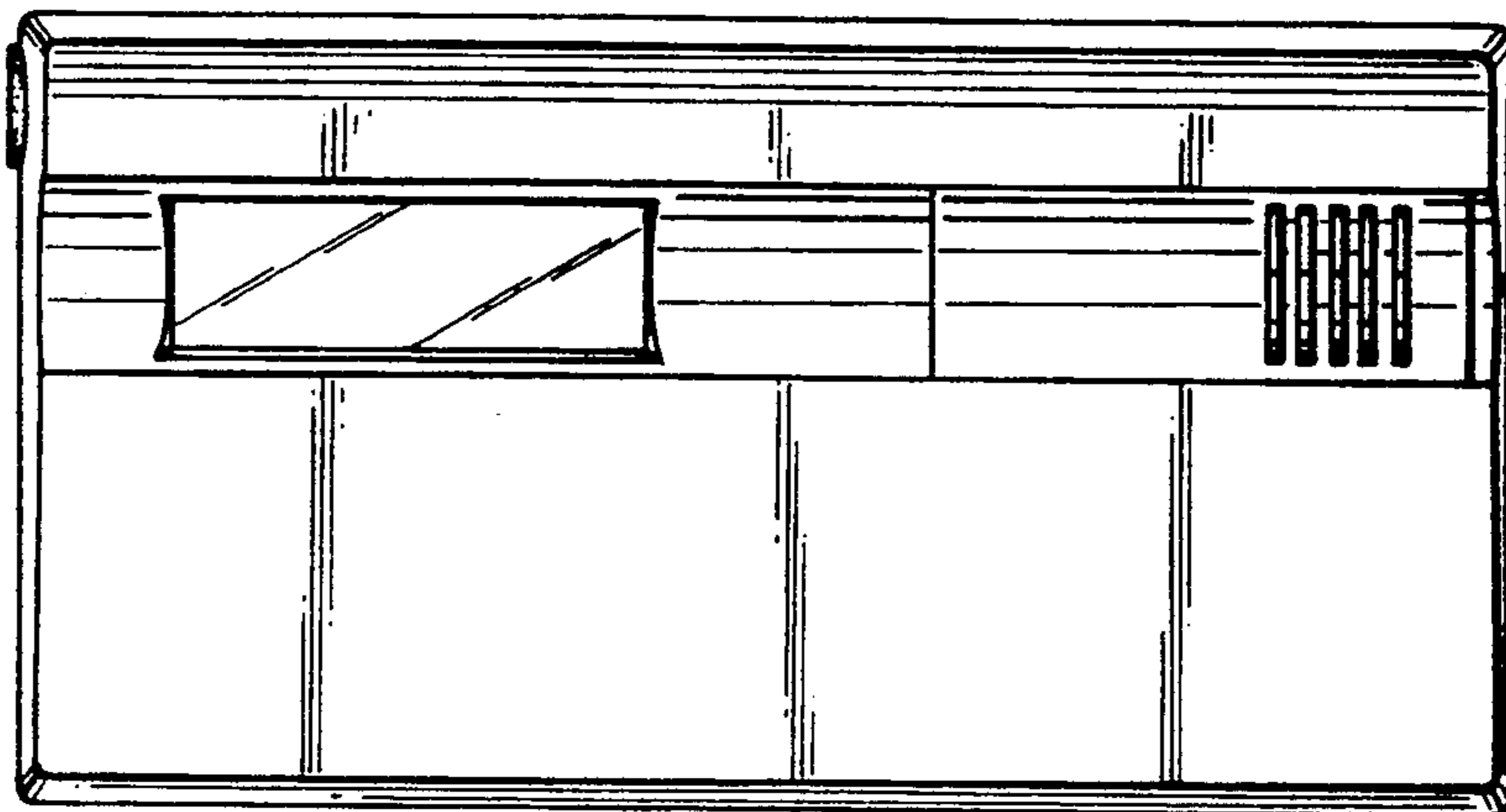


FIG.3

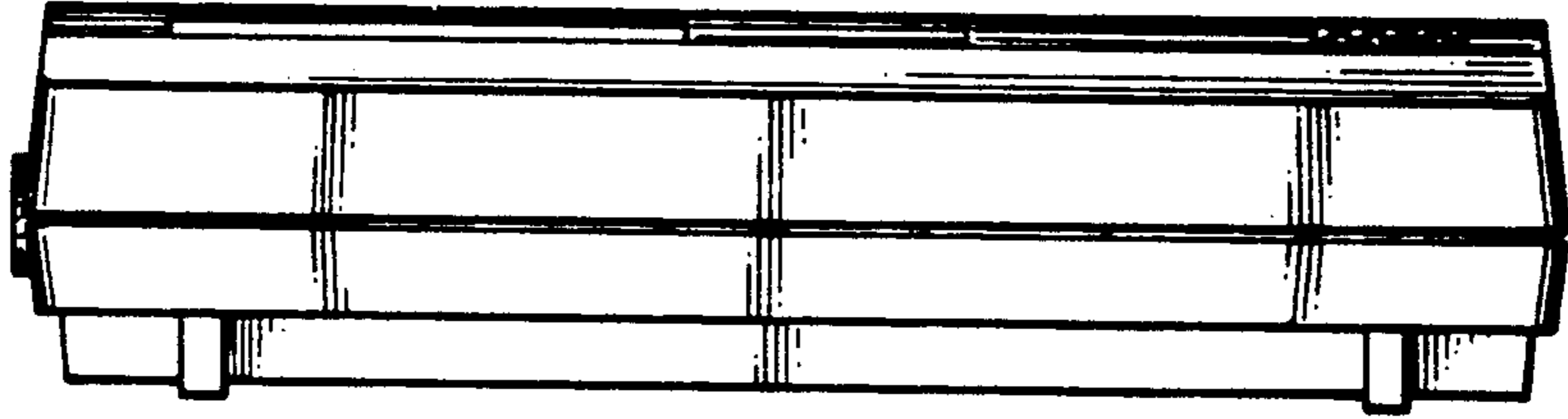


FIG.4

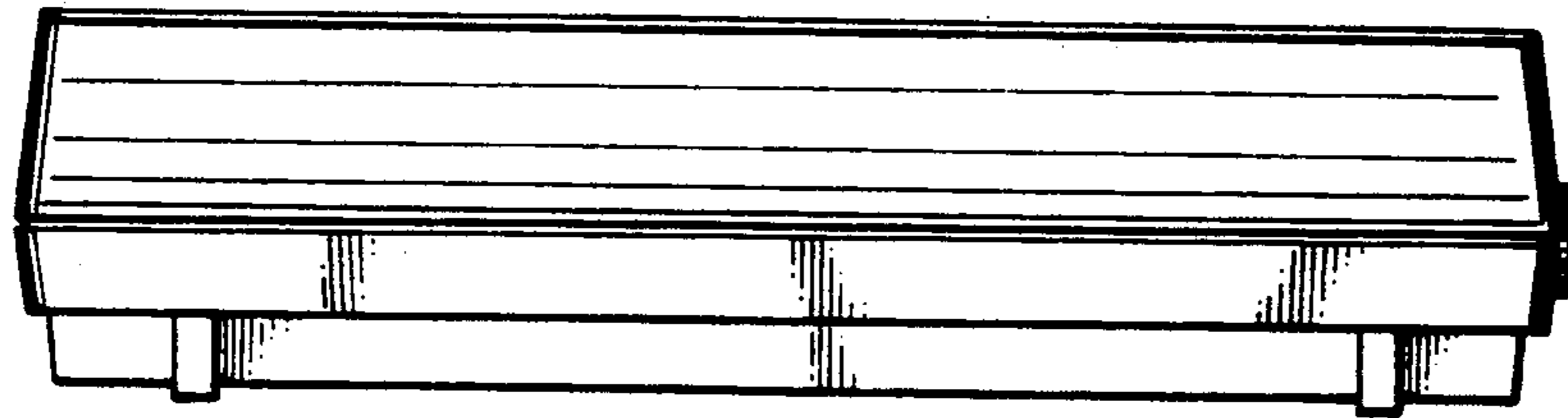


FIG.5

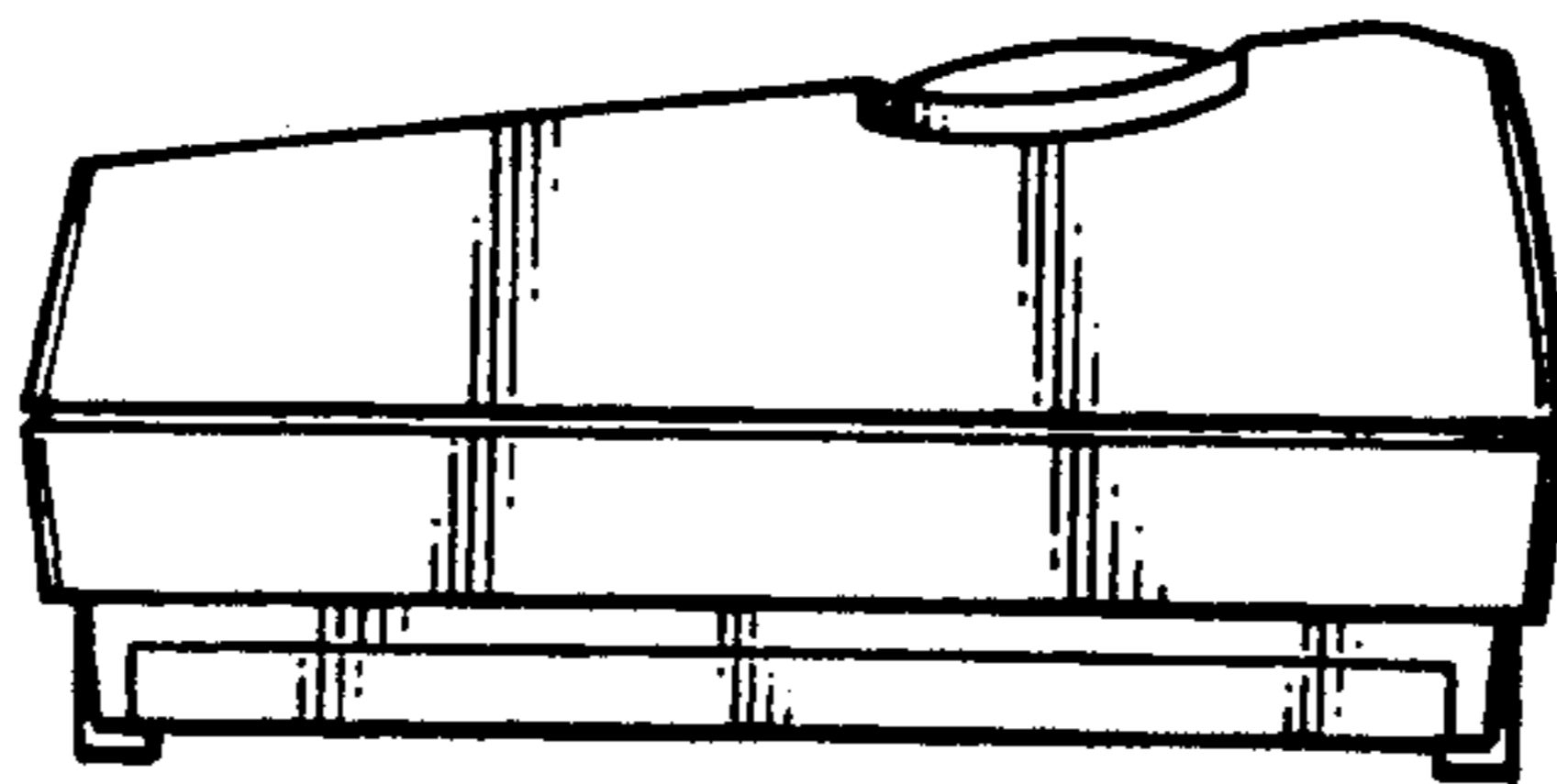


FIG.6

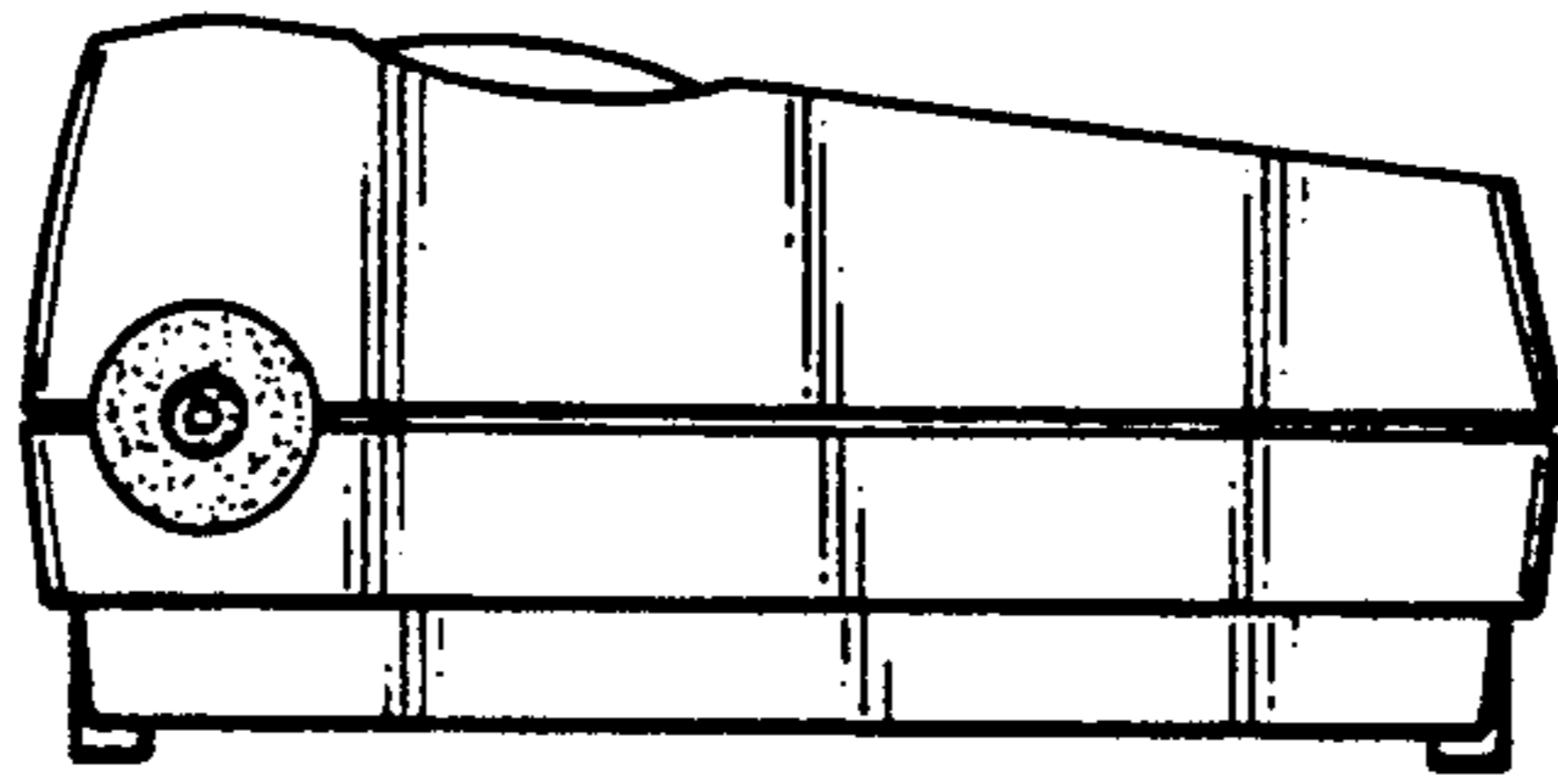


FIG.7

