



US00D330593S

United States Patent [19]

[11] Patent Number: **Des. 330,593**

Moro

[45] Date of Patent: **** Oct. 27, 1992**

[54] **PORTABLE BLOOD PRESSURE MONITOR**

[75] Inventor: **Norio Moro, Shibukawa, Japan**

[73] Assignee: **Nihon Seimitsu Sokki Co., Ltd., Japan**

[**] Term: **14 Years**

[21] Appl. No.: **499,824**

[22] Filed: **Mar. 26, 1990**

[52] U.S. Cl. **D24/165; D10/75**

[58] Field of Search **D10/46, 75, 103; D24/165, 167, 165, 186; 128/672, 677, 680, 681, 682, 686, 687, 774, 778**

[56] **References Cited**

U.S. PATENT DOCUMENTS

3,032,030	5/1962	Han	128/678
3,349,623	10/1967	Pastan	128/678
4,320,767	3/1982	Villa-Real	D24/165 X

OTHER PUBLICATIONS

Sears, Heath Care Catalog blood pressure monitor, Mar. 1990, pp. 18 & 19.

Primary Examiner—Donald P. Walsh
Assistant Examiner—Antoine O. Davis
Attorney, Agent, or Firm—Nikaido, Marmelstein, Murray & Oram

[57] **CLAIM**

The ornamental design for a portable blood pressure monitor, as shown and described.

DESCRIPTION

FIG. 1 is a top, front and right side perspective view of a portable blood pressure monitor showing my new design;
FIG. 2 is a rear and left side perspective view;
FIG. 3 is a right side elevational view;
FIG. 4 is a left side elevational view;
FIG. 5 is a rear elevational view;
FIG. 6 is a front elevational view;
FIG. 7 is a top plan view; and
FIG. 8 is a bottom plan view thereof.

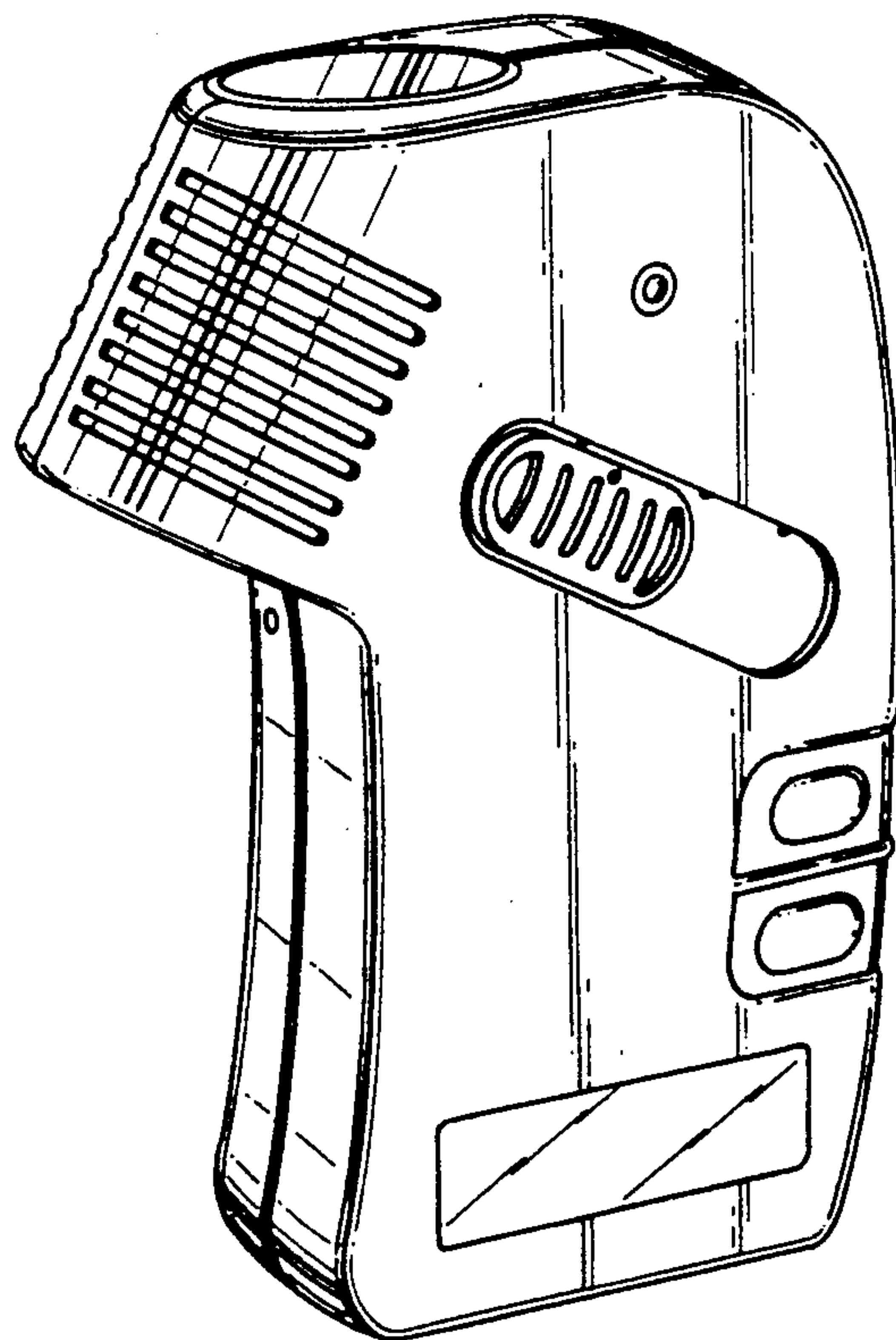


FIG. 1

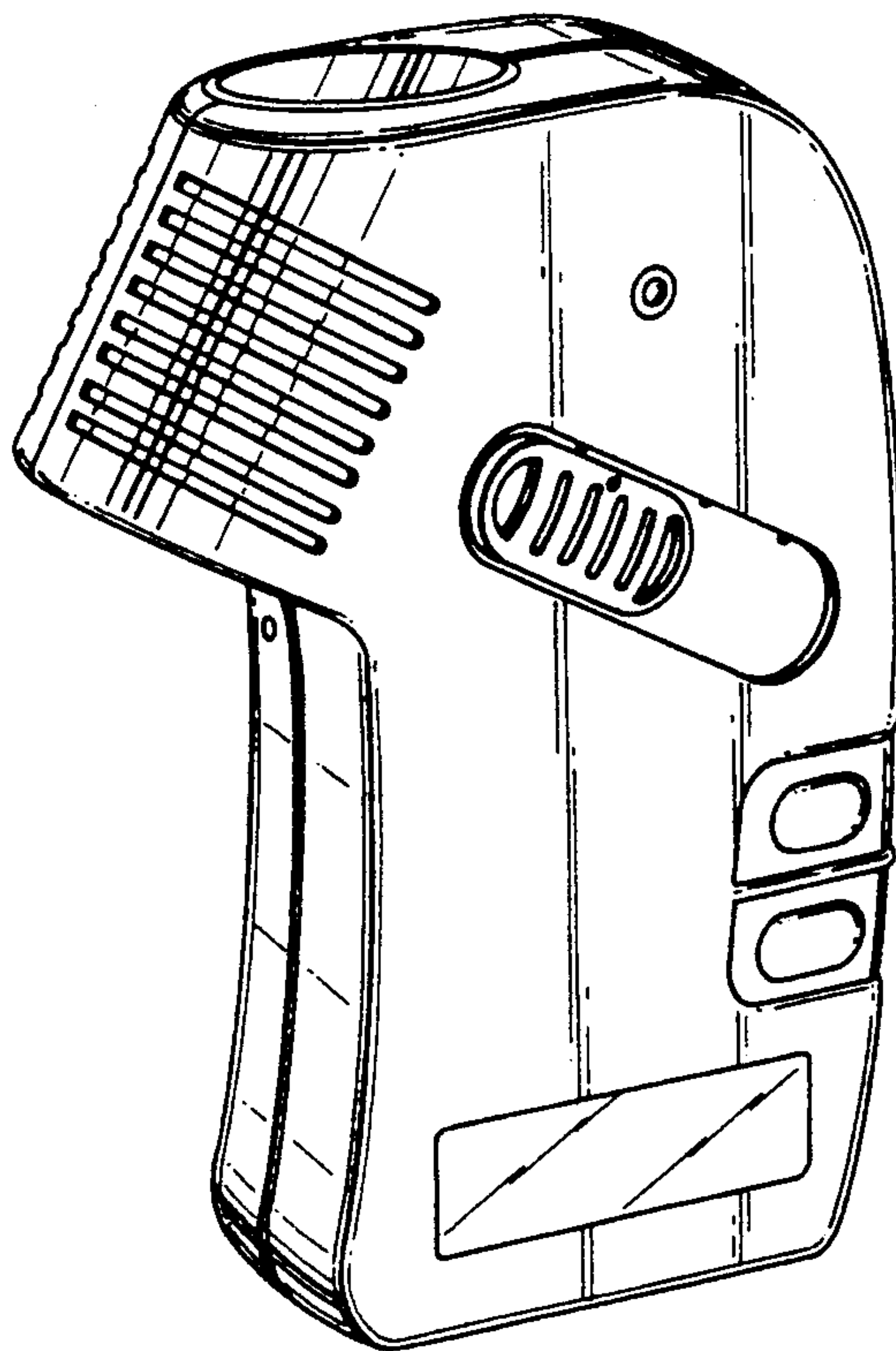


FIG. 2

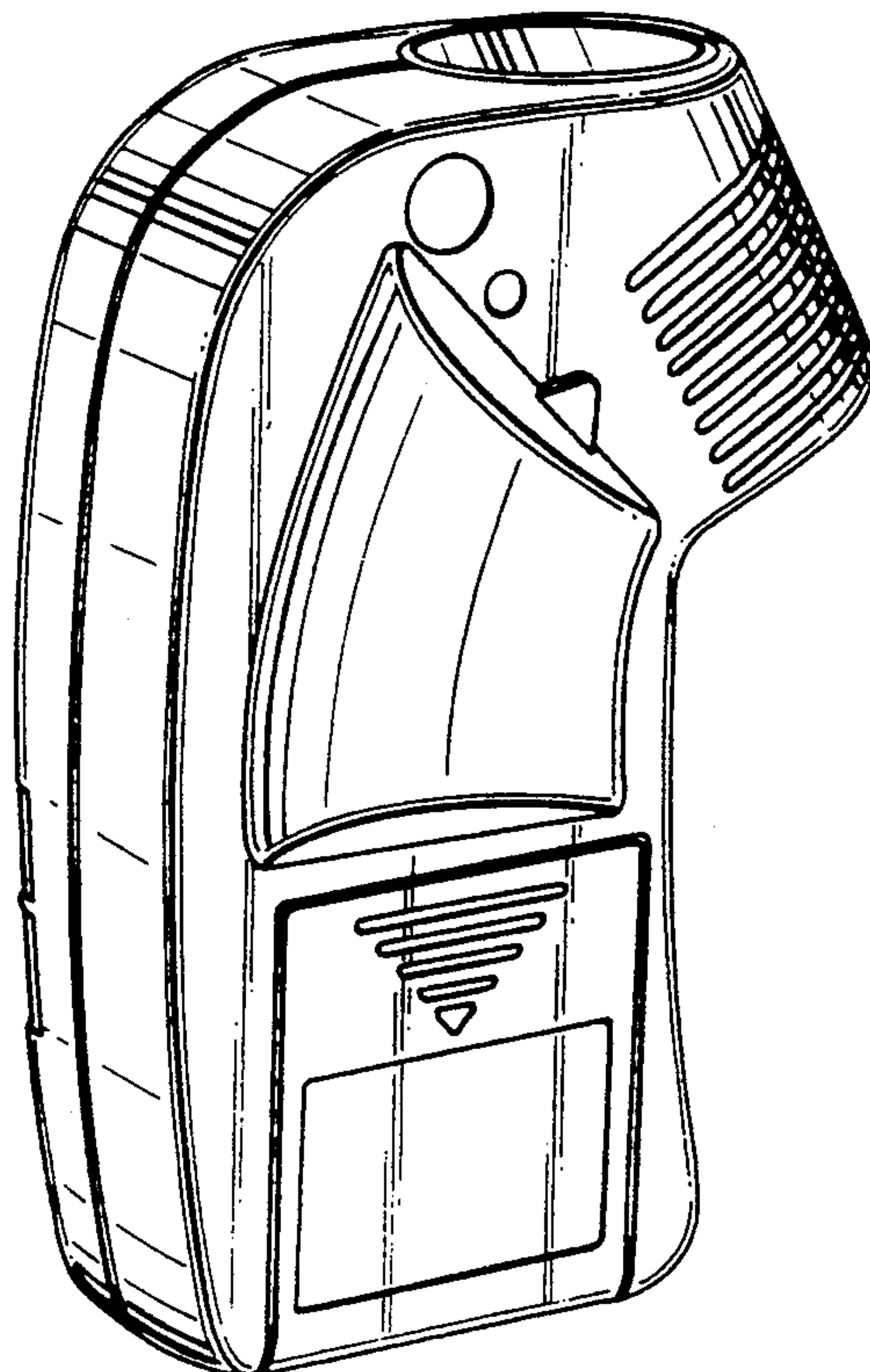


FIG.3

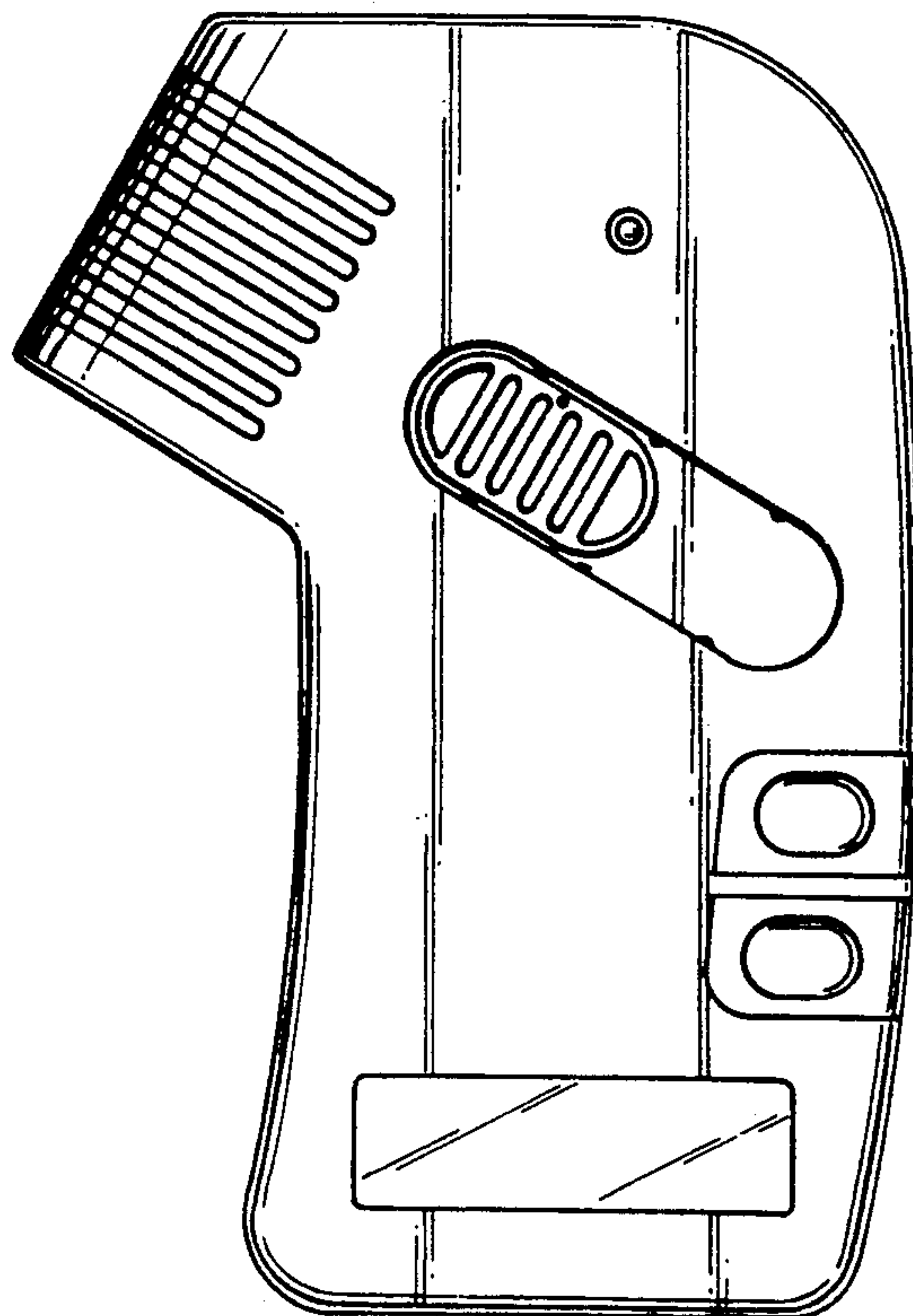


FIG.4

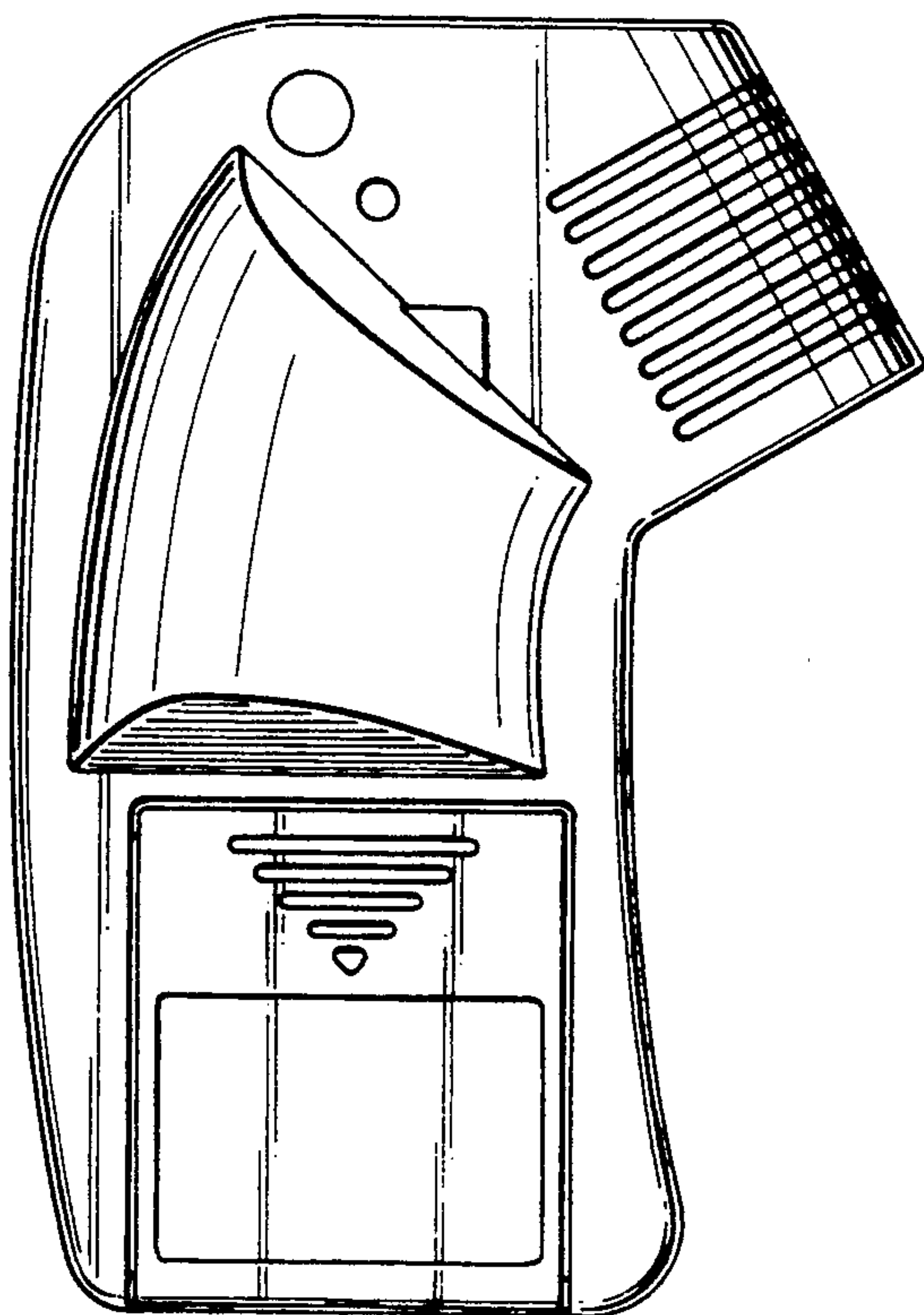


FIG.5

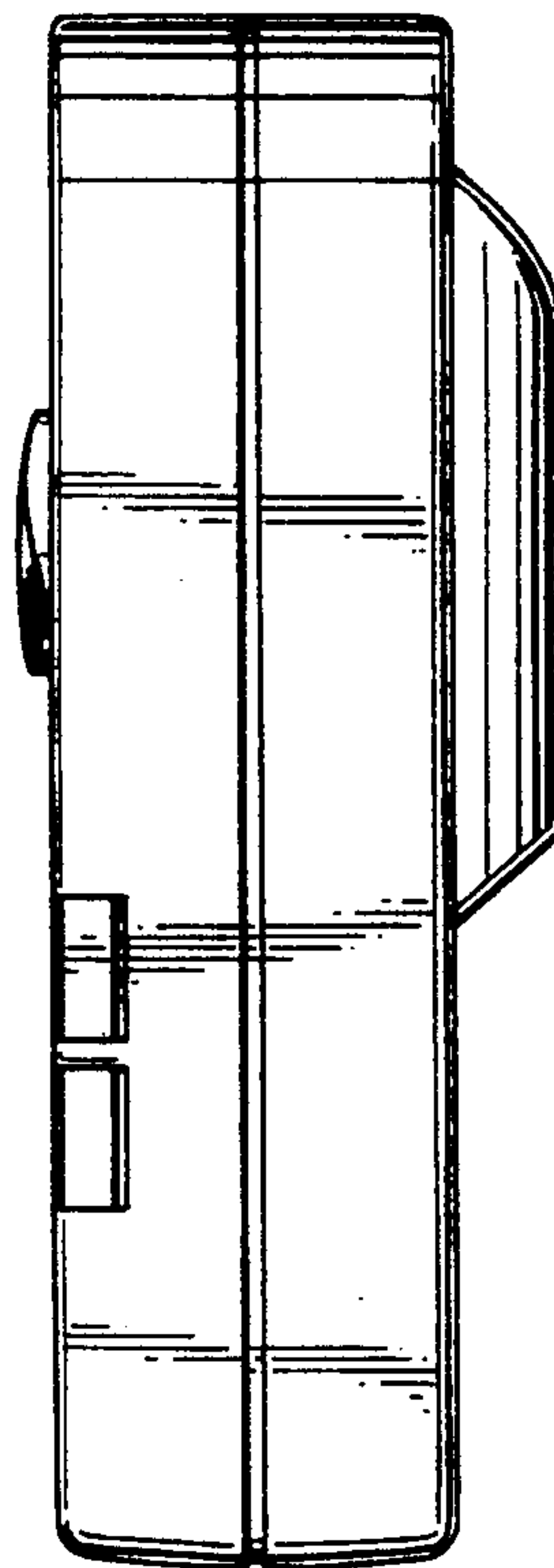


FIG.6

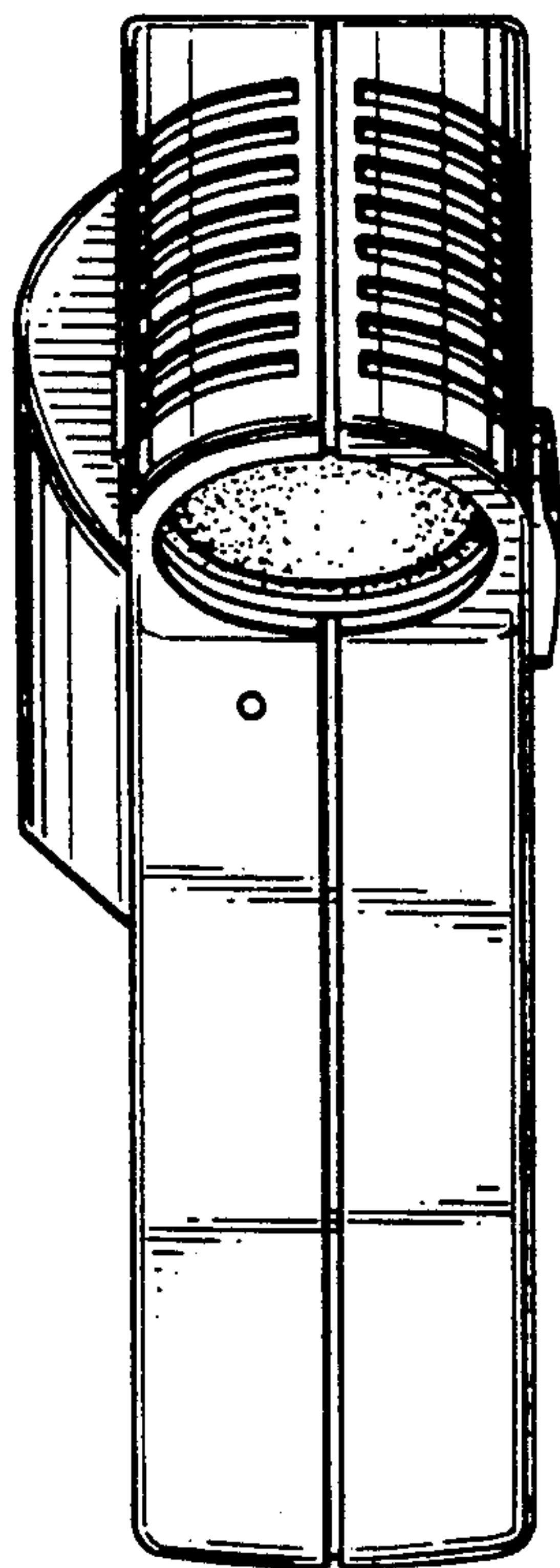


FIG. 7

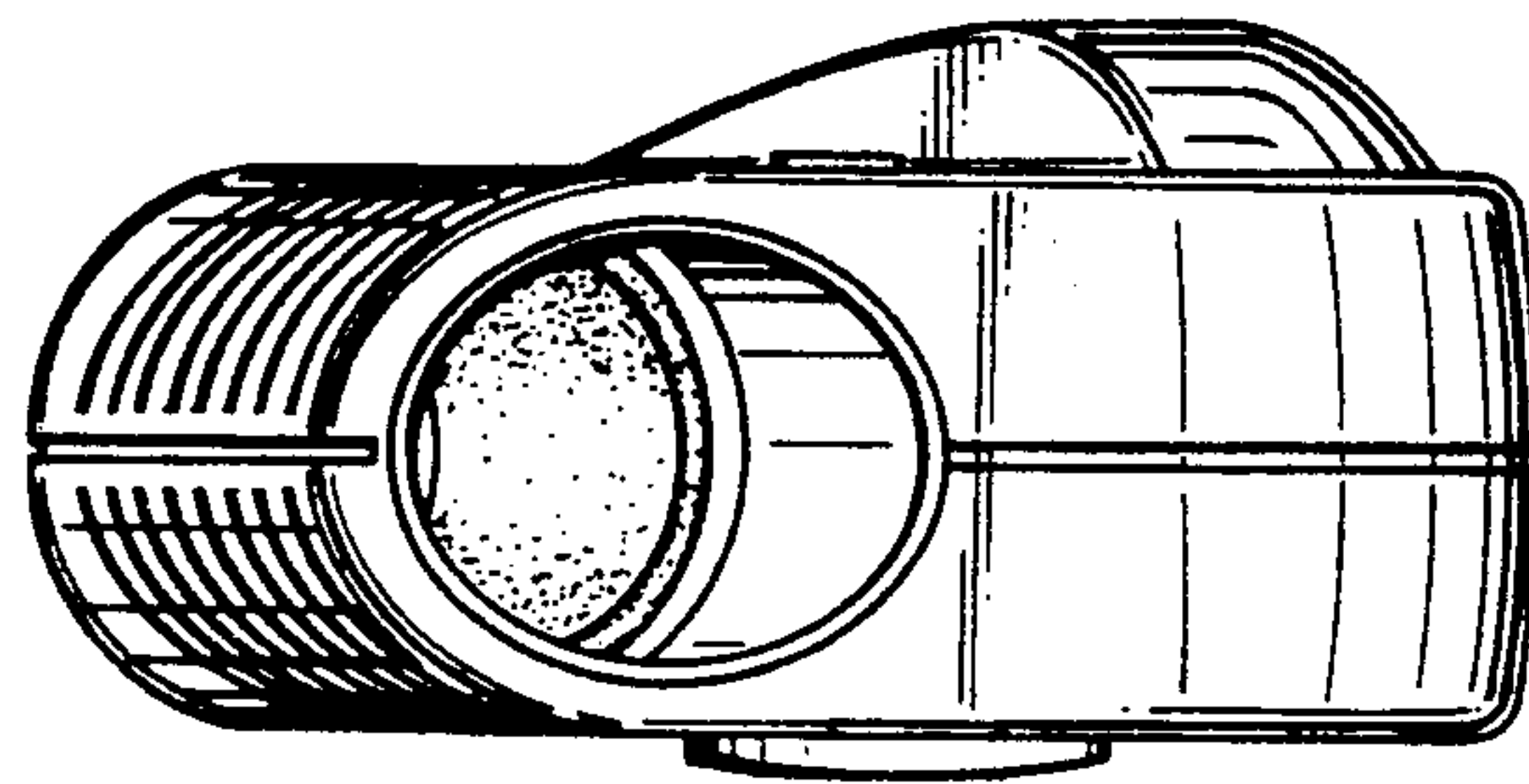


FIG. 8

