



US00D330592S

# United States Patent [19]

[11] Patent Number: **Des. 330,592**

Claxton, III et al.

[45] Date of Patent: **\*\* Oct. 27, 1992**

[54] **BLOOD PRESSURE MEASURING SYSTEM**

D. 297,364 8/1988 Slater ..... D24/165  
4,367,752 1/1983 Jimenez et al. .  
4,397,317 8/1983 Villa-Réal .

[75] Inventors: **Philander P. Claxton, III**, Rockville, Md.; **George L. McDade**; **Jon D. Schaffer**, both of Knoxville, Tenn.

*Primary Examiner*—Stella Reid  
*Attorney, Agent, or Firm*—Lowe, Price, LeBlanc & Becker

[73] Assignee: **Medical Devices Limited Partnership**, Rockville, Md.

[57] **CLAIM**

[\*\*] Term: **14 Years**

The ornamental design for a blood pressure measuring system, as shown and described.

[21] Appl. No.: **422,815**

**DESCRIPTION**

[22] Filed: **Oct. 19, 1989**

[52] U.S. Cl. .... **D24/165; D24/186**

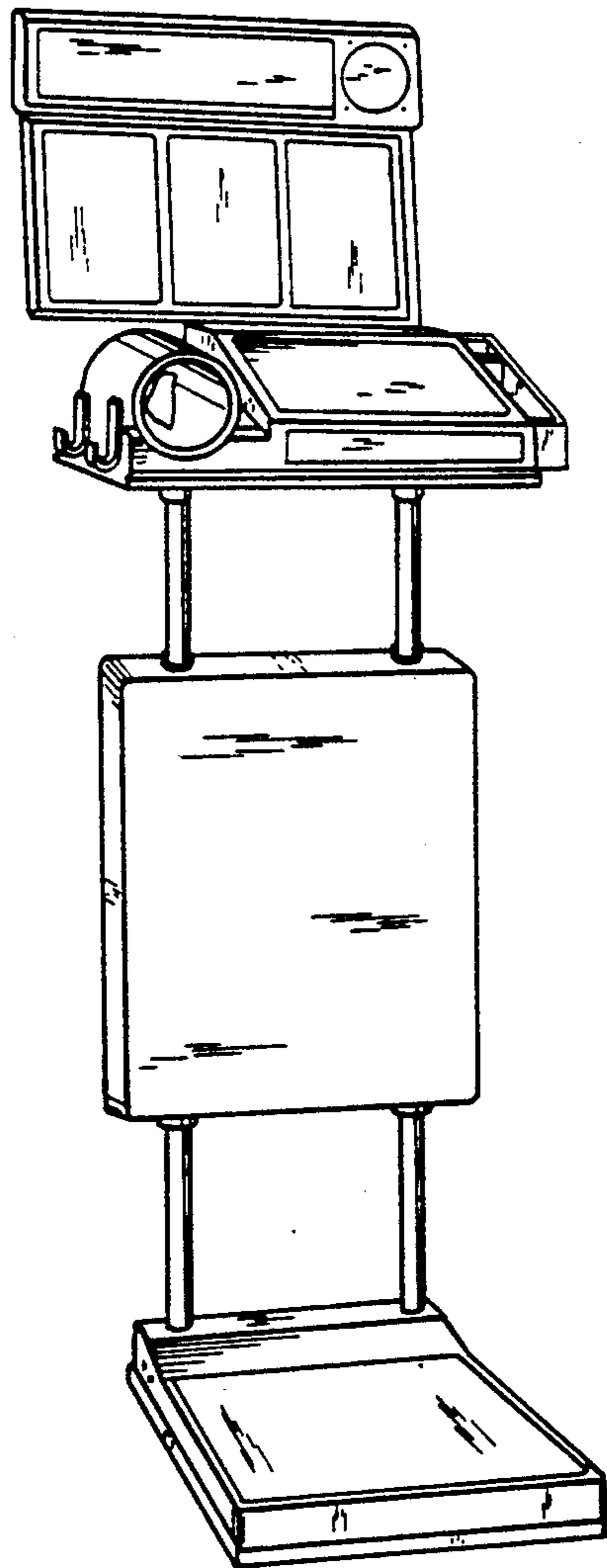
[58] Field of Search ..... **D24/165; 128/680-686, 128/672, 677, 679, 900**

FIG. 1 is a perspective view of a blood pressure measuring system, showing our new design; FIG. 2 is a front elevational view thereof; FIG. 3 is a right side elevational view thereof; FIG. 4 is a left side elevational view thereof; FIG. 5 is a rear elevational view thereof; FIG. 6 is a top plan view thereof; and FIG. 7 is a bottom plan view thereof.

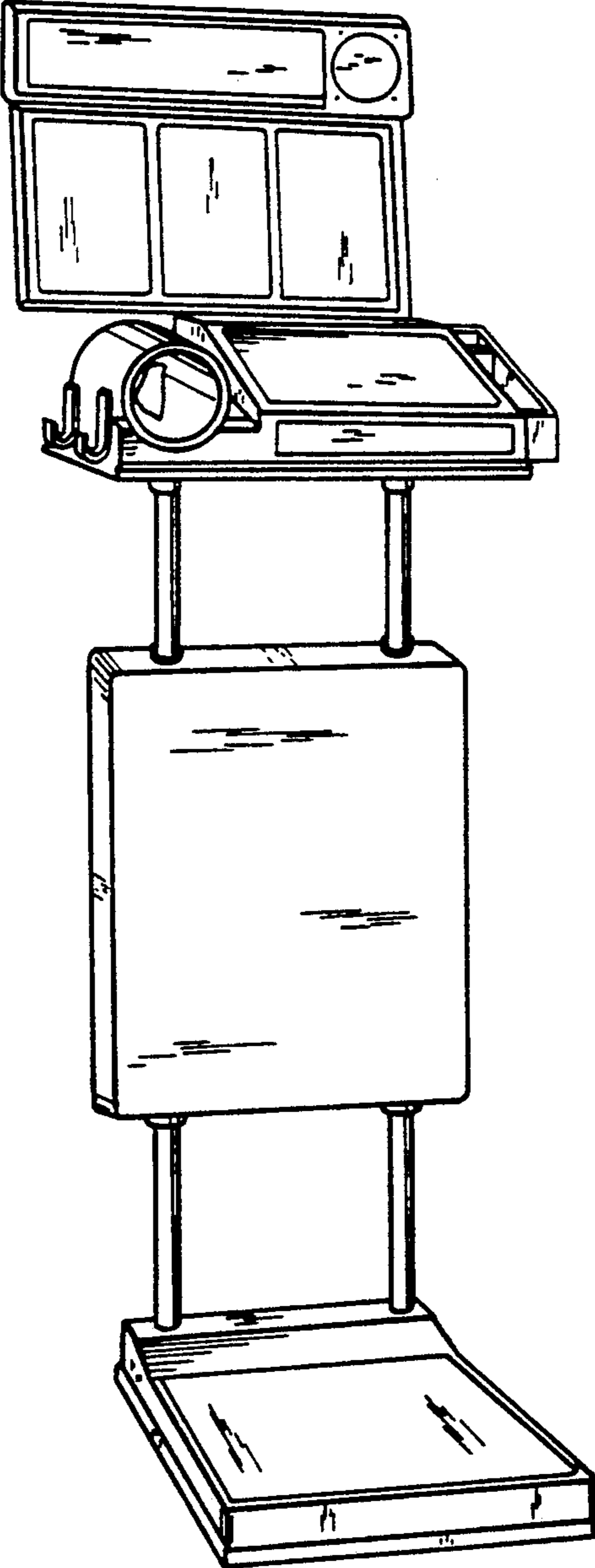
[56] **References Cited**

**U.S. PATENT DOCUMENTS**

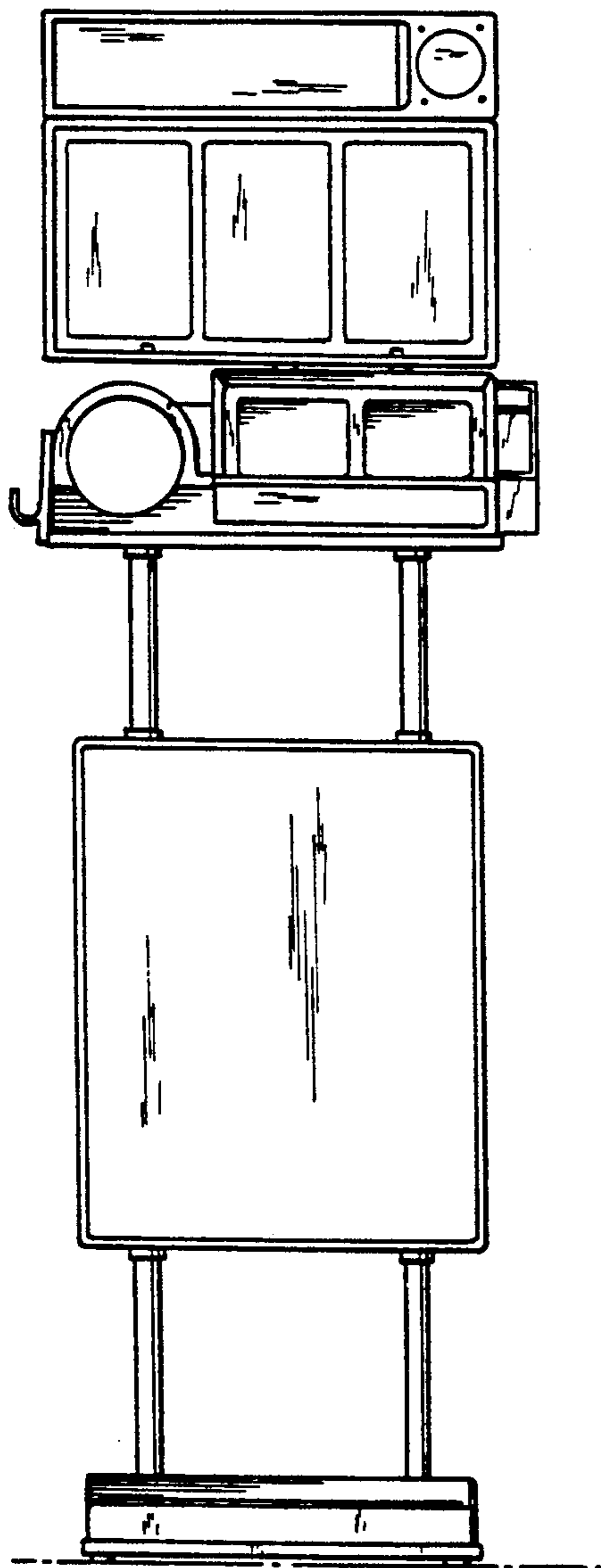
D. 259,509 6/1981 Loeffler et al. .... D24/165  
D. 290,876 7/1987 Arduini et al. .... D24/165



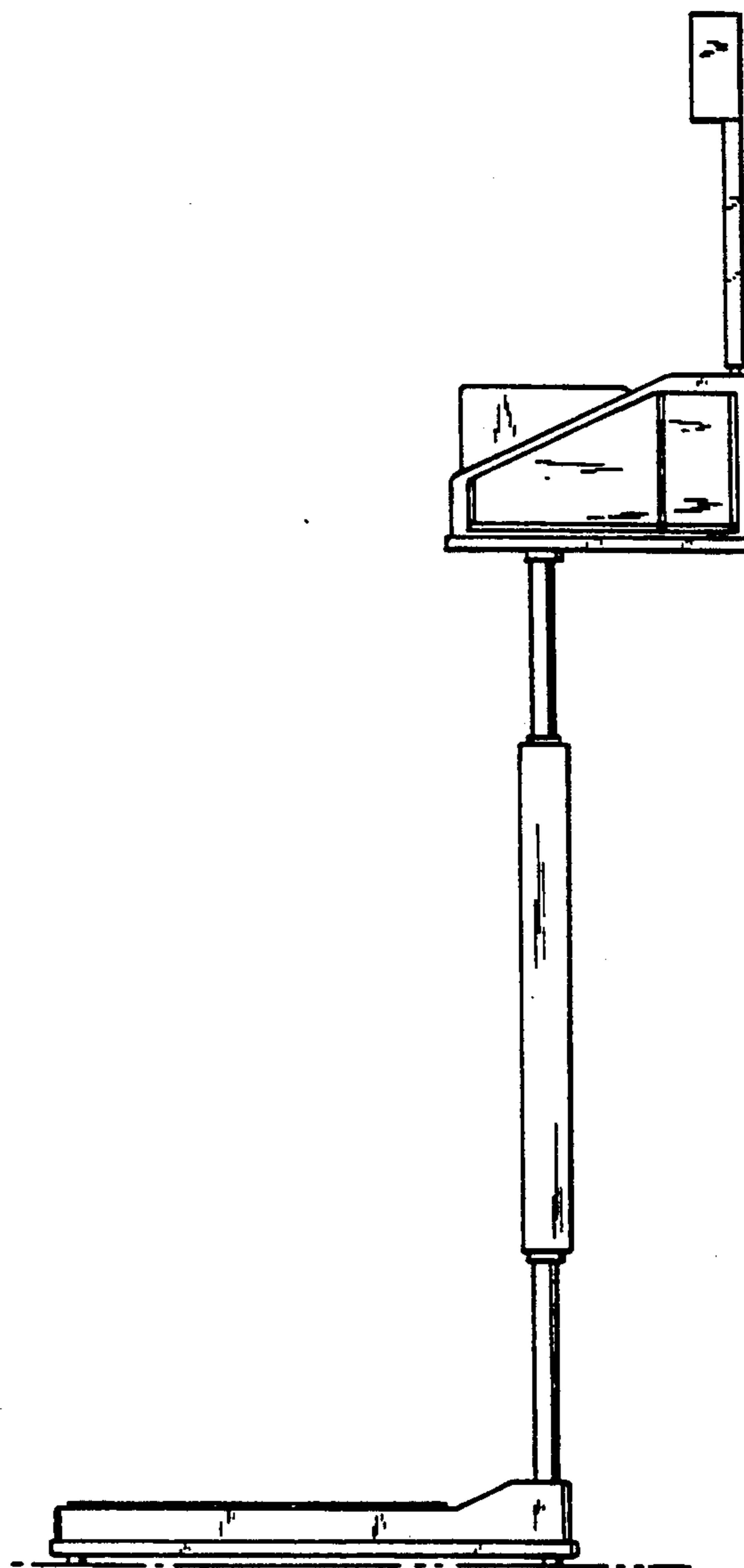
*Fig. 1*



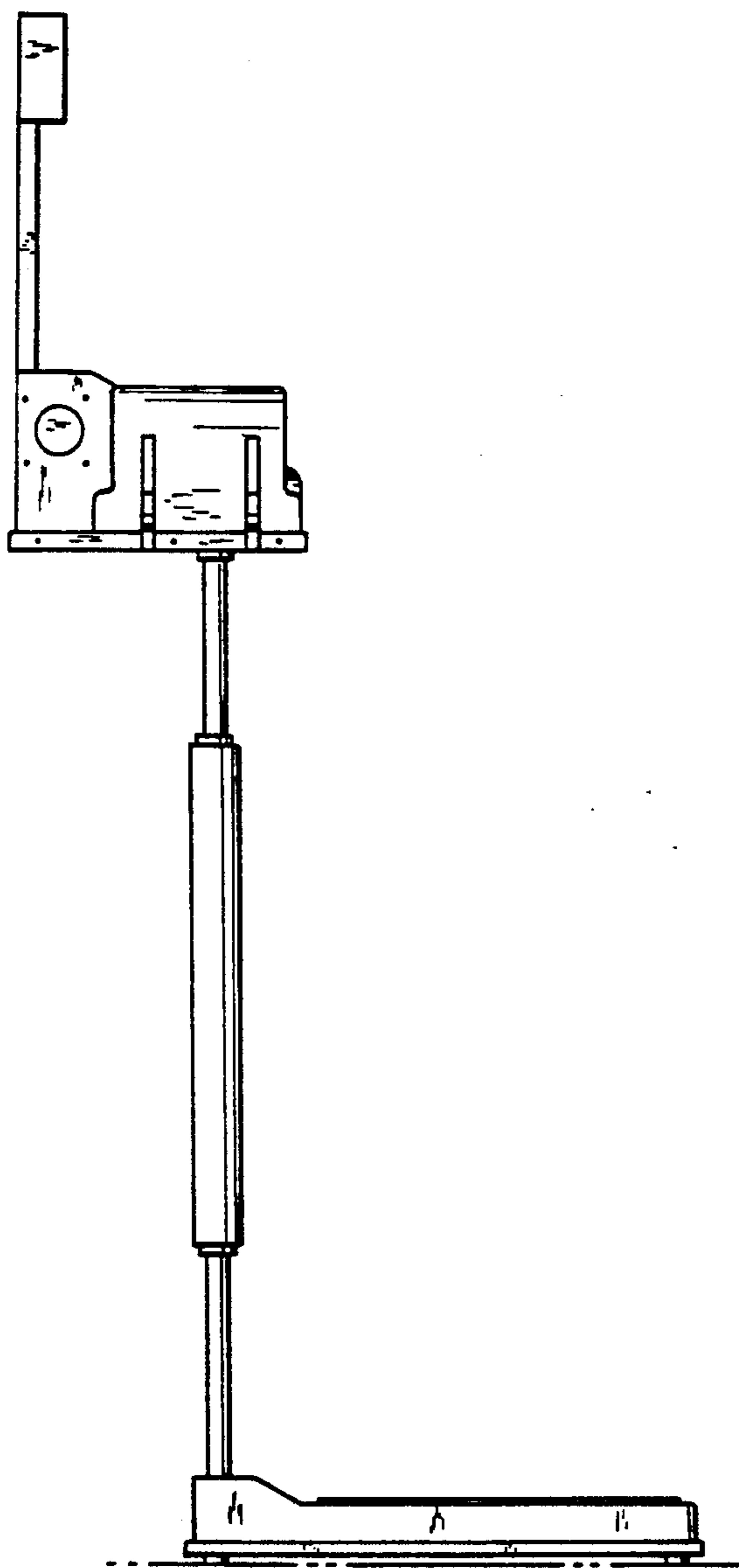
*Fig. 2*



*Fig. 3*



*Fig. 4*



*Fig. 5*

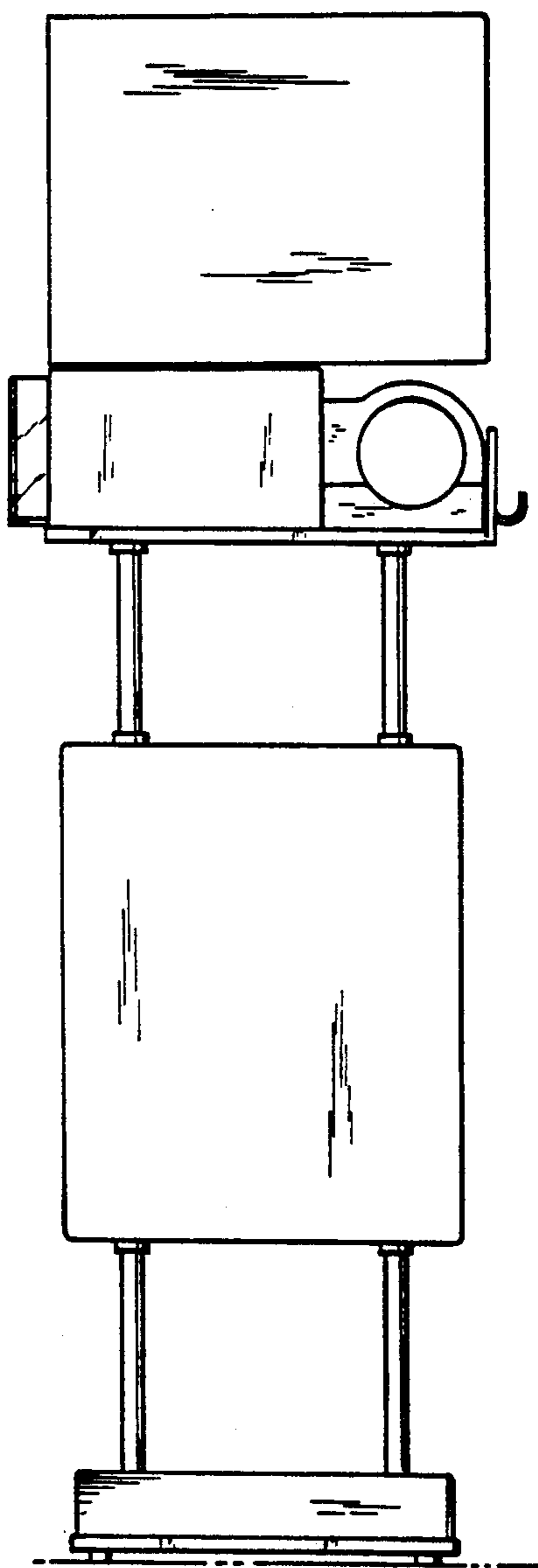


FIG. 7

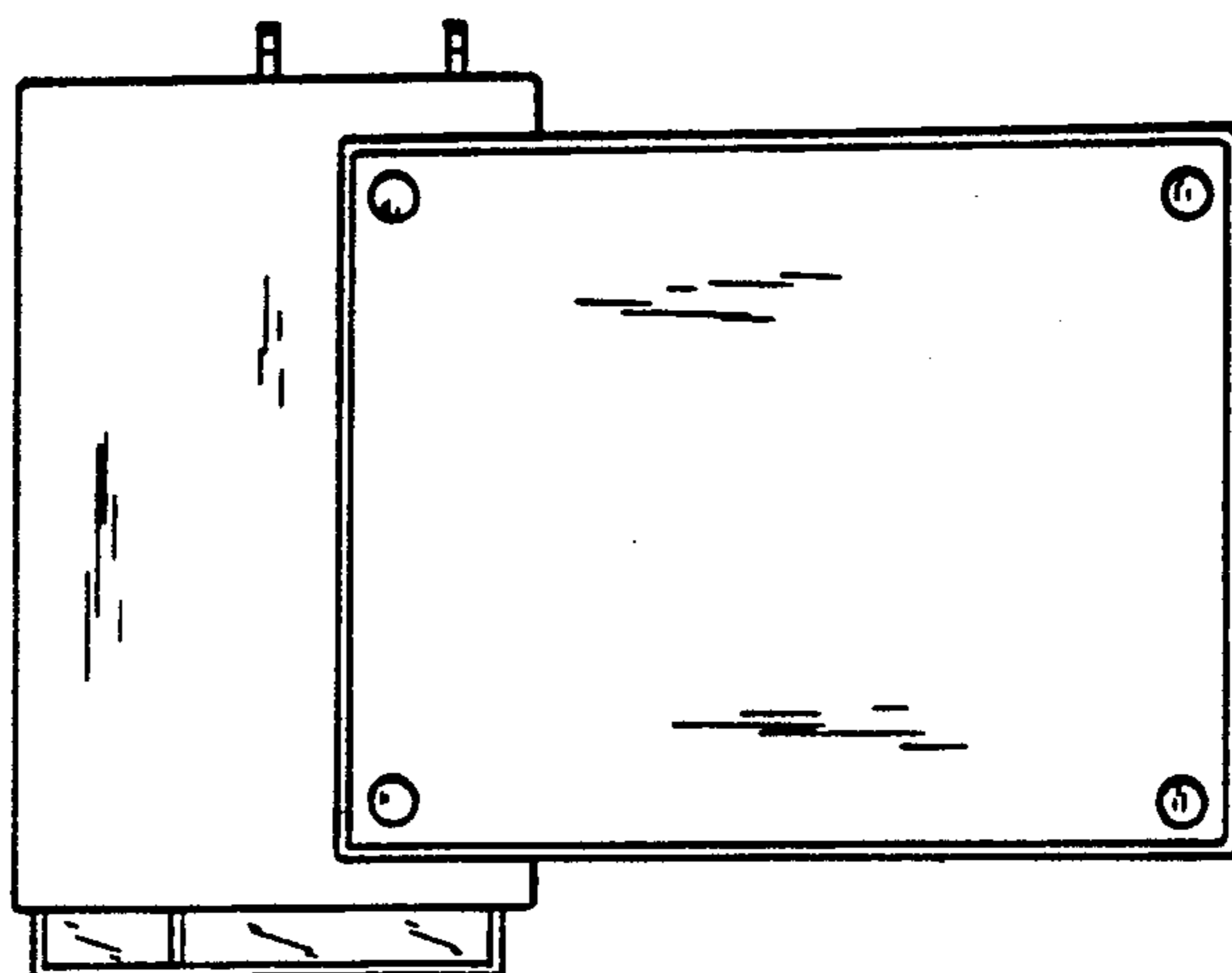


FIG. 6

