



US00D330585S

United States Patent [19]

[11] Patent Number: **Des. 330,585**

Saito et al.

[45] Date of Patent: **** Oct. 27, 1992**

[54] AIR CONDITIONER

[56] References Cited

[75] Inventors: **Takeshi Saito; Nobuo Hata; Miyoshi Miwa; Eiji Horino**, all of Kamakura, Japan

U.S. PATENT DOCUMENTS
D. 283,838 5/1986 Kimura D23/354
D. 304,073 10/1989 Ikeda et al. D23/351

[73] Assignee: **Mitsubishi Denki Kabushiki Kaisha**, Tokyo, Japan

Primary Examiner—Wallace R. Burke
Assistant Examiner—Lisa Lichtenstein
Attorney, Agent, or Firm—Oblon, Spivak, McClelland, Maier & Neustadt

[**] Term: **14 Years**

[57] CLAIM

The ornamental design for an air conditioner, as shown and described.

[21] Appl. No.: **670,201**

DESCRIPTION

[22] Filed: **Mar. 15, 1991**

FIG. 1 is a front elevational view of an air conditioner showing our new design;
FIG. 2 is a rear elevational view thereof;
FIG. 3 is a top plan view thereof, the bottom being a mirror image of that shown;
FIG. 4 is a left side elevational view thereof, the right side being a mirror image of that shown;
FIG. 5 is an enlarged cross-sectional view thereof taken on line 5—5 of FIG. 1, wherein internal members are omitted; and,
FIG. 6 is a front, side, and top perspective view thereof.

[30] Foreign Application Priority Data

Sep. 18, 1990 [JP] Japan 2-31404
[52] U.S. Cl. **D23/351**
[58] Field of Search D23/351, 353, 352, 354;
98/40.05, 40.1, 40.15, 40.17; 454/292, 296, 302,
304

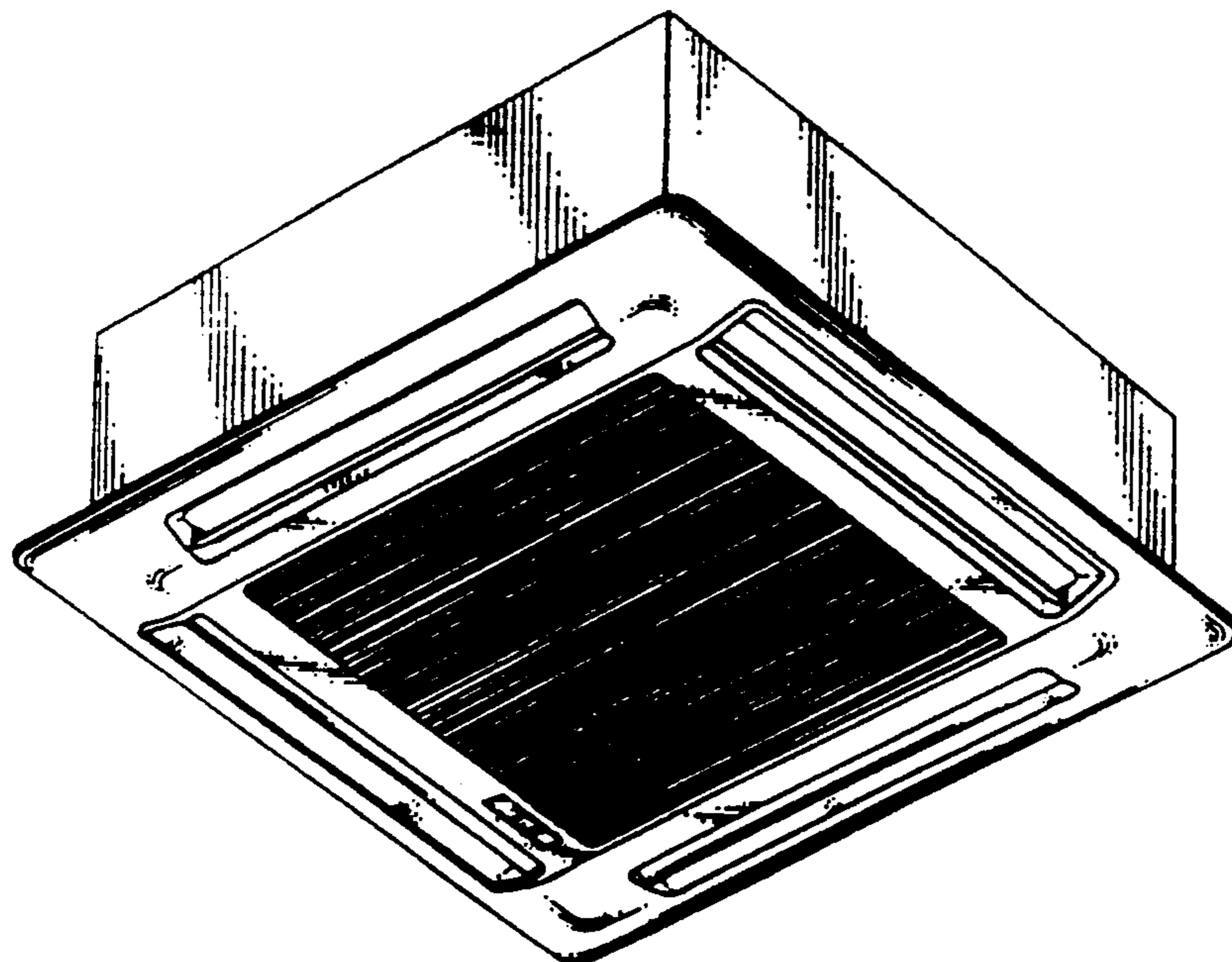


FIGURE 1

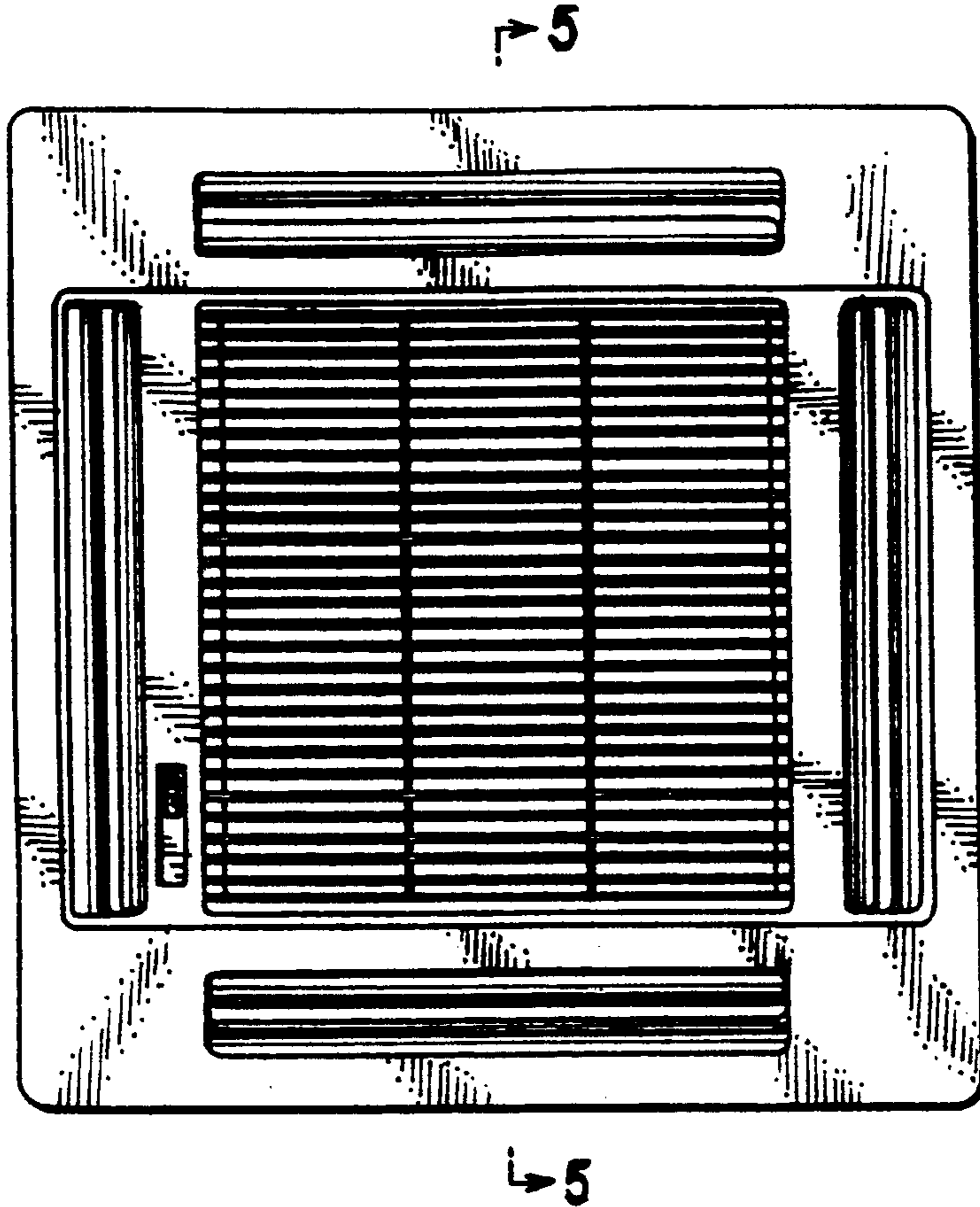


FIGURE 3



FIGURE 2

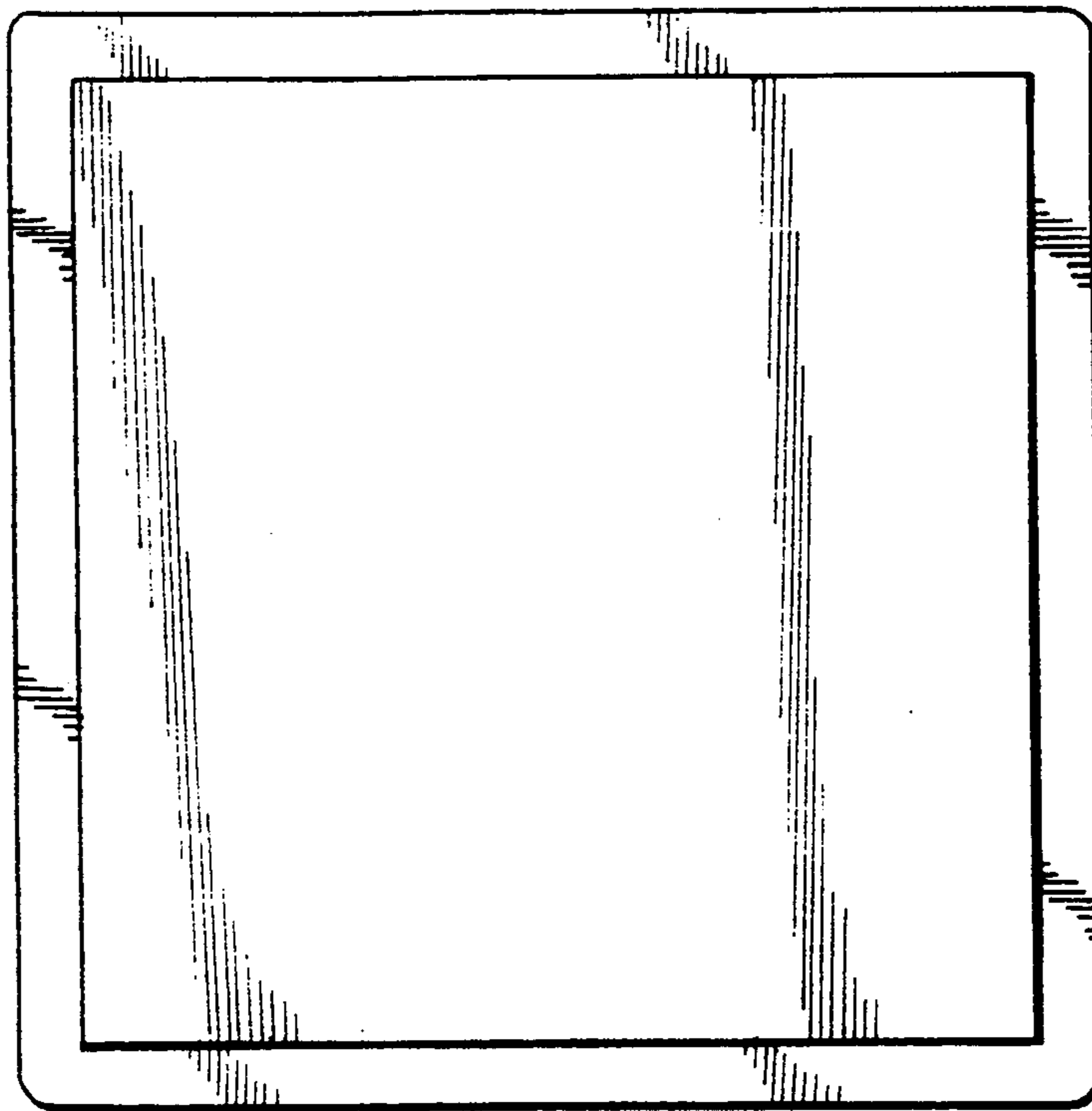


FIGURE 4

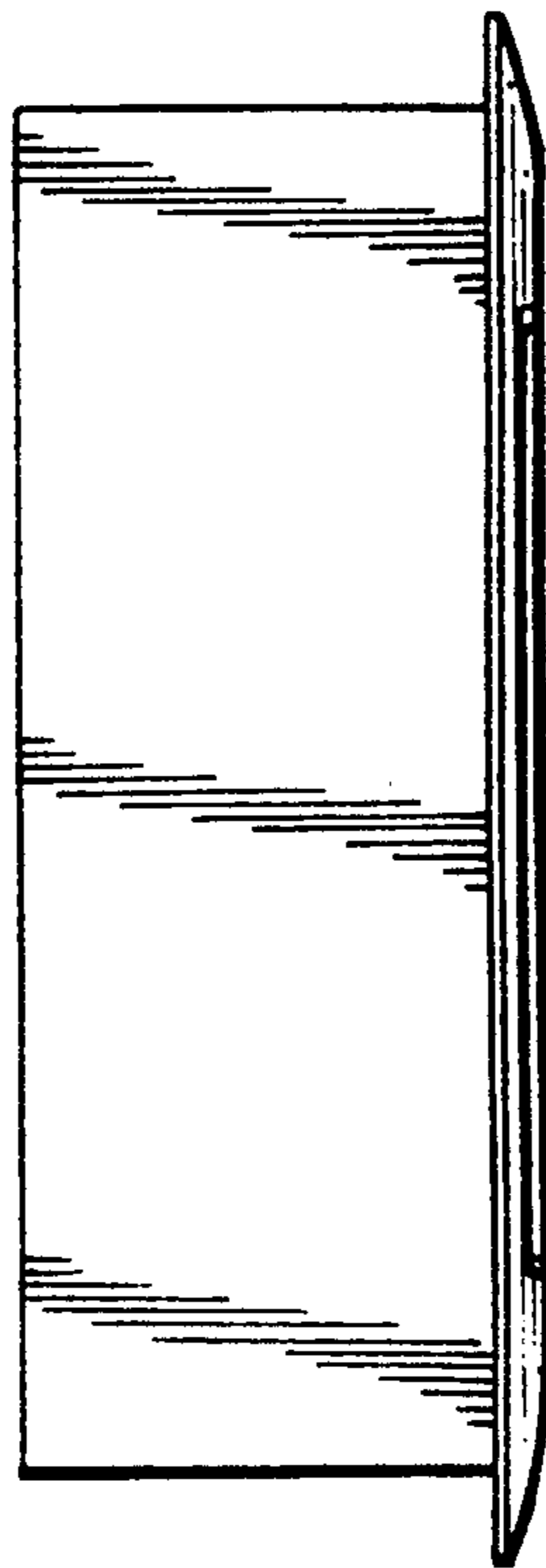


FIGURE 5

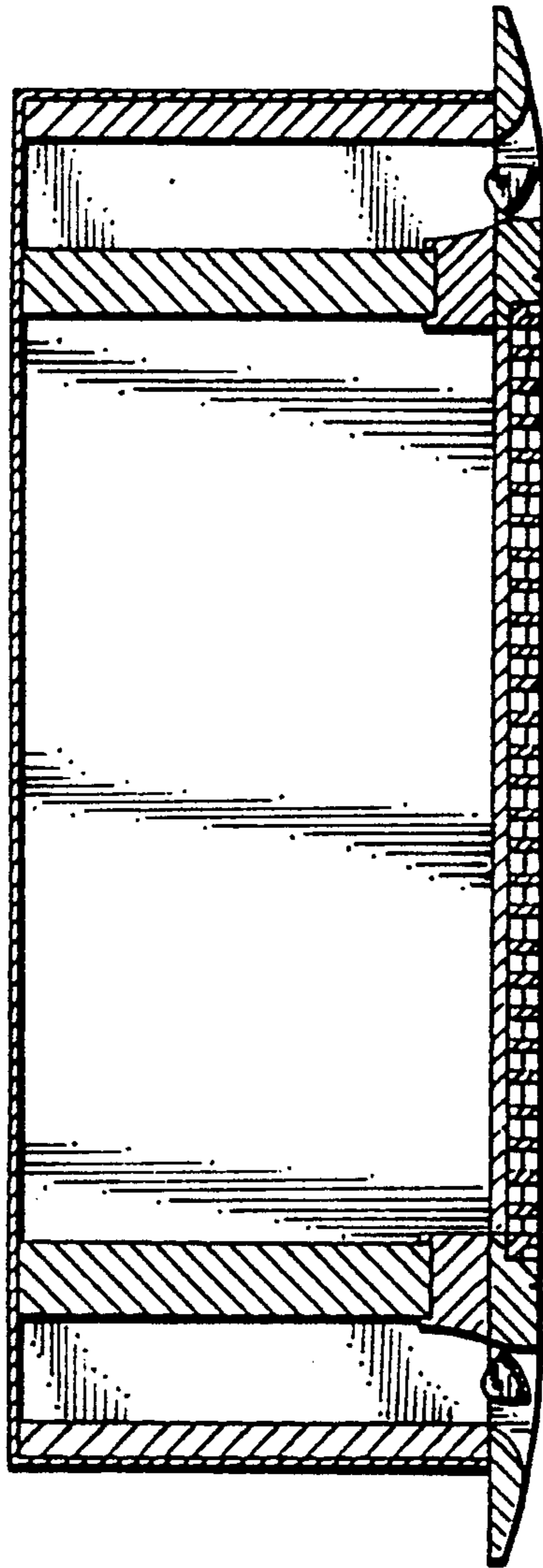


FIGURE 6

