



US00D330582S

United States Patent [19]

Gefter et al.

[11] Patent Number: **Des. 330,582**

[45] Date of Patent: **** Oct. 27, 1992**

[54] **POOL CLEANER LEAF TRAP**

3,688,908 9/1972 Myers et al. D23/210
4,454,035 6/1984 Stefan D23/210

[75] Inventors: **Alexander A. Gefter**, San Francisco;
Kenneth N. Marshall, Novato, both
of Calif.

[73] Assignee: **Arneson Products, Inc.**, Fairfield,
Calif.

[**] Term: **14 Years**

[21] Appl. No.: **424,149**

[22] Filed: **Oct. 19, 1989**

[52] U.S. Cl. **D23/210; D32/30**

[58] Field of Search **D32/1, 25, 30-32;**
210/321.6, 322, 323.1, 323.2, 332, 342;
D23/209, 210

[56] **References Cited**

U.S. PATENT DOCUMENTS

- D. 143,545 1/1946 Pond et al. D23/209
- D. 202,147 8/1965 Peters D23/209
- D. 229,309 11/1973 Reiner D23/209

OTHER PUBLICATIONS

Rainbow Lifeguard Products, Inc., one-page advertisement (no date) for Leaf Traps.

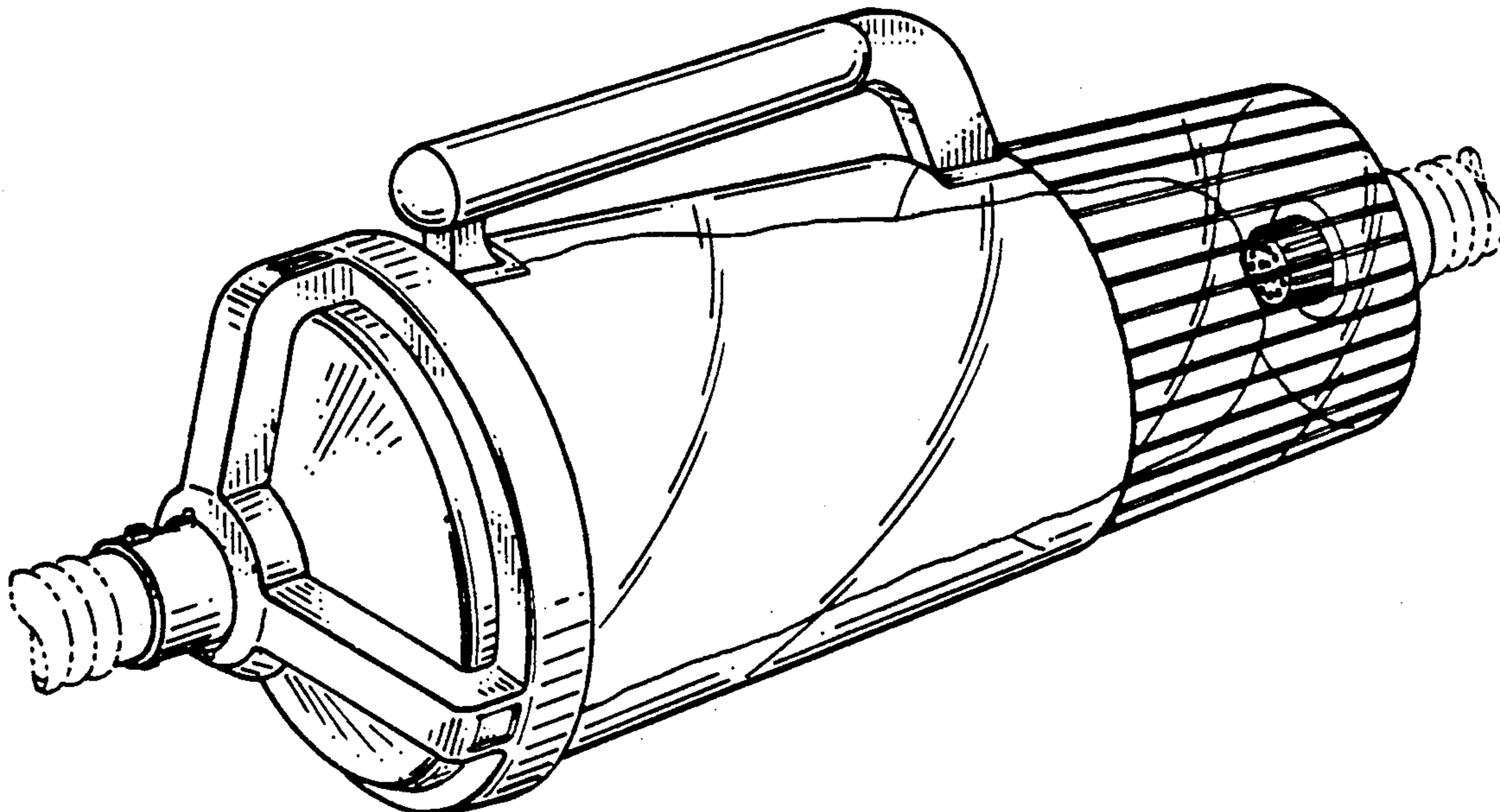
Primary Examiner—A. Hugo Word
Assistant Examiner—Ruth McInroy
Attorney, Agent, or Firm—Limbach & Limbach

[57] **CLAIM**

The ornamental design for a pool cleaner leaf trap, as shown and described.

DESCRIPTION

FIG. 1 is a perspective view of a pool cleaner leaf trap showing our new design;
FIG. 2 is a side elevational view thereof;
FIG. 3 is a left end elevational view thereof; and,
FIG. 4 is a right end elevational view thereof.
The fitting shown in broken lines in FIG. 1 is for illustrative purposes only and forms no part of the claimed design.



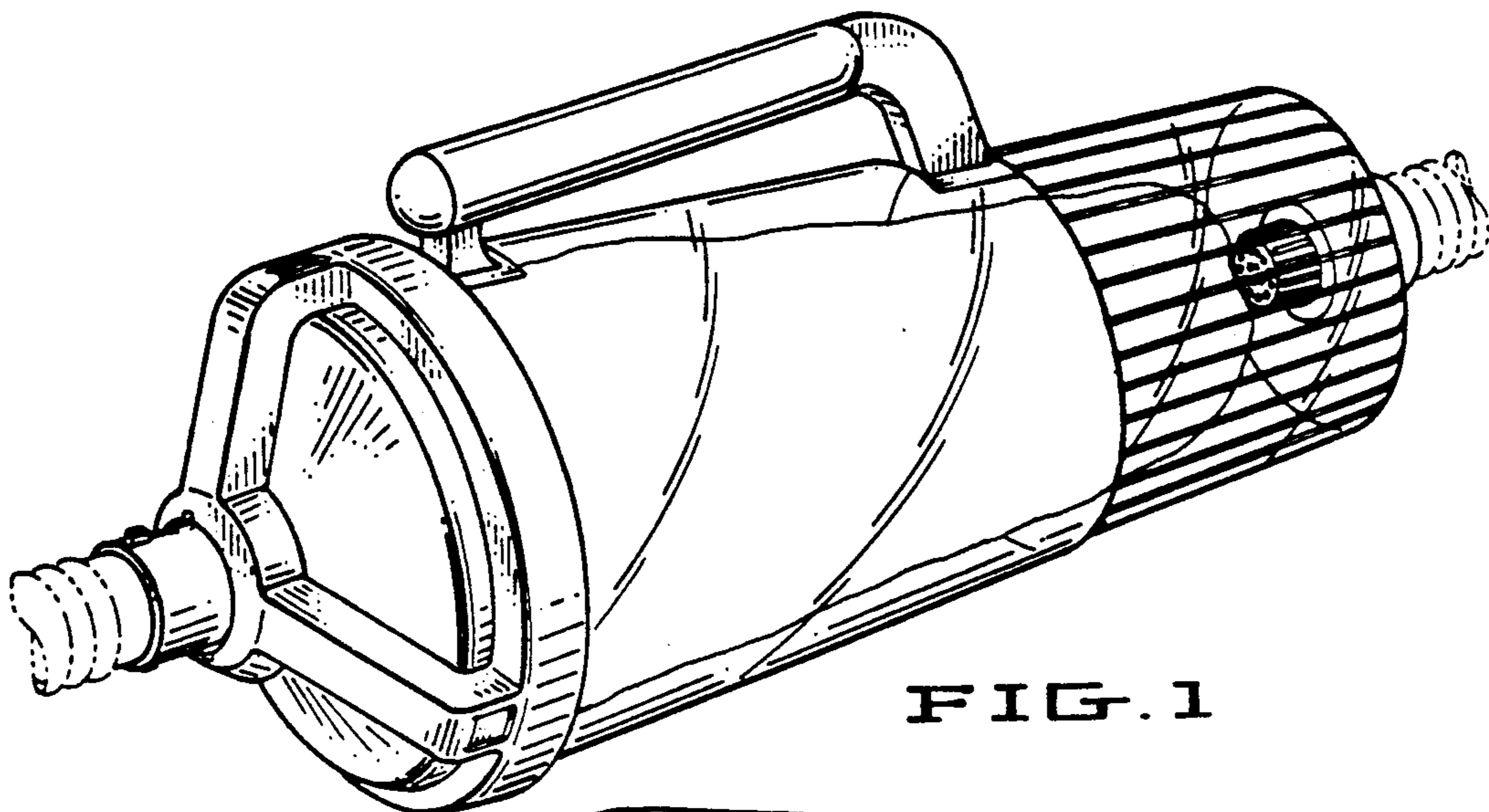


FIG. 1

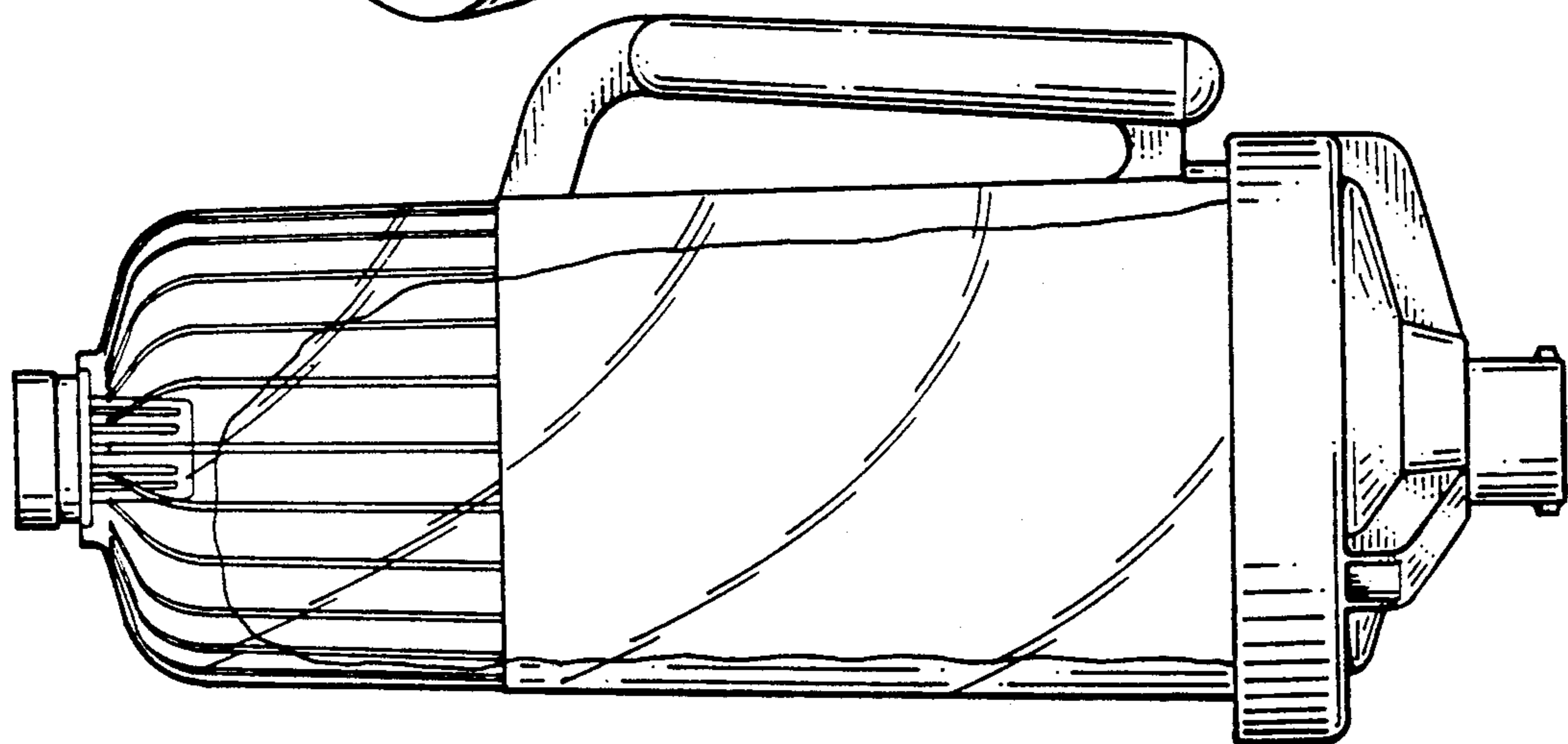


FIG. 2

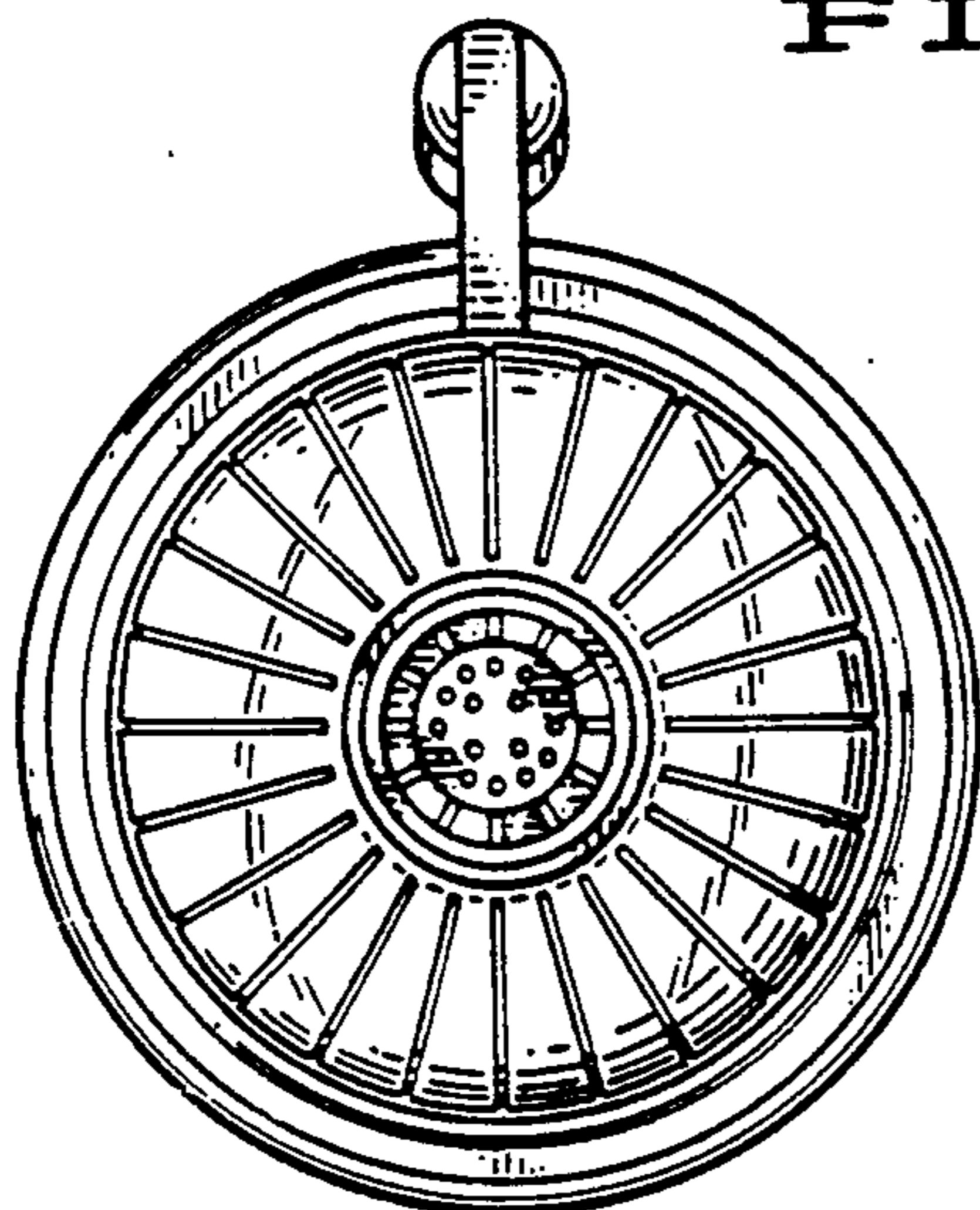


FIG. 3

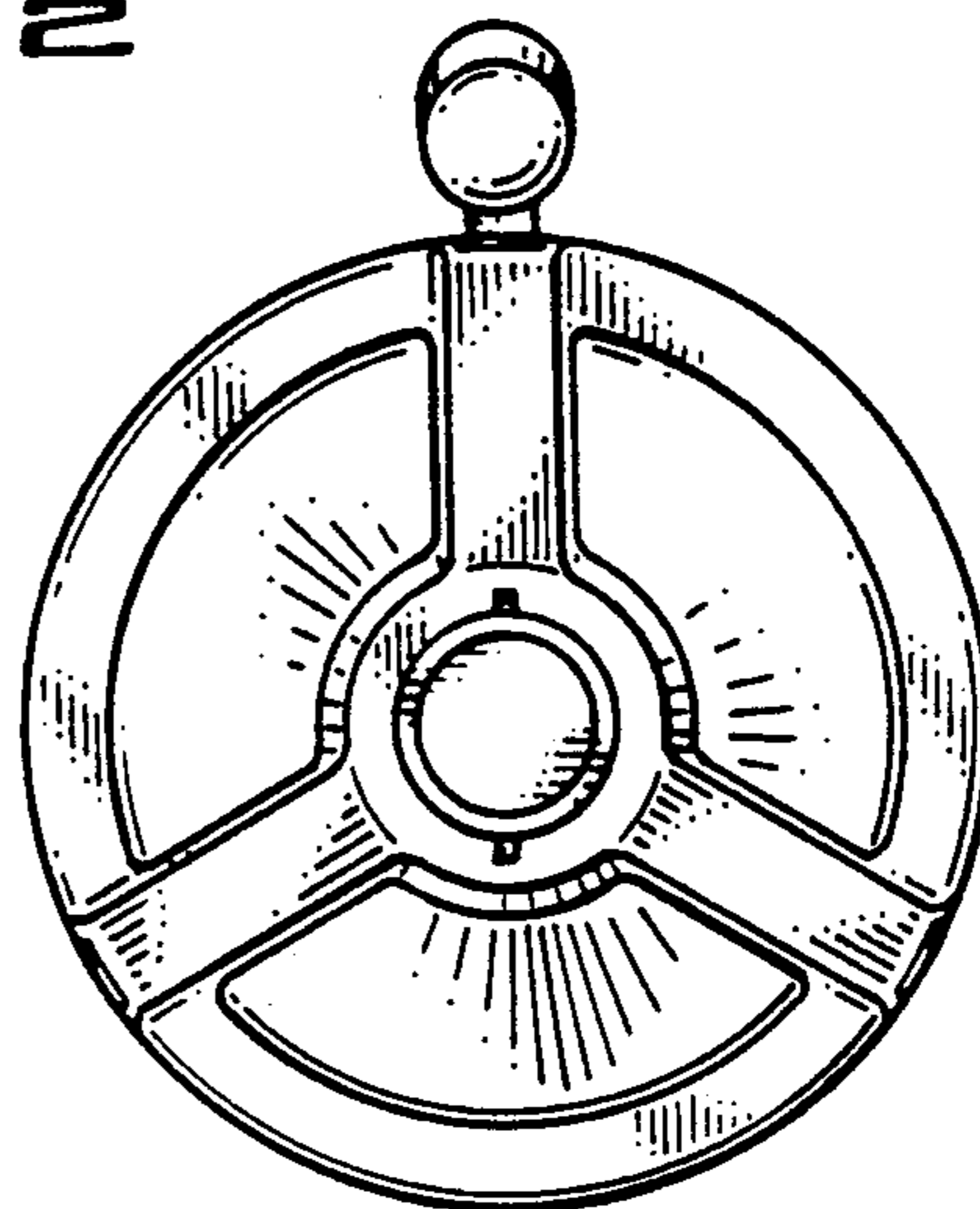


FIG. 4