



US00D330579S

United States Patent [19]

[11] Patent Number: **Des. 330,579**

Briggs

[45] Date of Patent: **** Oct. 27, 1992**

[54] PLAYGROUND STRUCTURE

[76] Inventor: **Rick A. Briggs**, 64 Maple Dr.,
Springfield, Ill. 62707

[**] Term: **14 Years**

[21] Appl. No.: **438,220**

[22] Filed: **Nov. 20, 1989**

[52] U.S. Cl. **D21/243**

[58] Field of Search **D21/242, 243, 244, 245,
D21/246; 272/113, 110, 111, 112, 109, 56.5 R,
85**

[56] References Cited

U.S. PATENT DOCUMENTS

D. 241,664	9/1976	Ewers et al.	D21/244
D. 250,783	1/1979	Dieter et al.	D21/244
D. 250,784	1/1979	Dieter et al.	D21/244
D. 251,262	3/1979	Barrett et al.	D21/244
1,529,467	3/1925	Davis et al.	D21/243 X

OTHER PUBLICATIONS

Mexico Forge Cat., Jun. 1984, p. 49, Model #3813-311
as shown.

Sandman Playground Equipment, Apr. 1987 Model
Christiana.

Gym-Dandy Cat. Mar. 1984, Item #59340 Scout
Walker.

Playthings, Sep. 1987, p. 61, Yankee Clipper

Primary Examiner—Bernard Ansher

Assistant Examiner—Prabhakar Deshmukh

Attorney, Agent, or Firm—Dellett, Smith-Hill and Bedell

[57] CLAIM

The ornamental design for a playground structure, as
shown and described.

DESCRIPTION

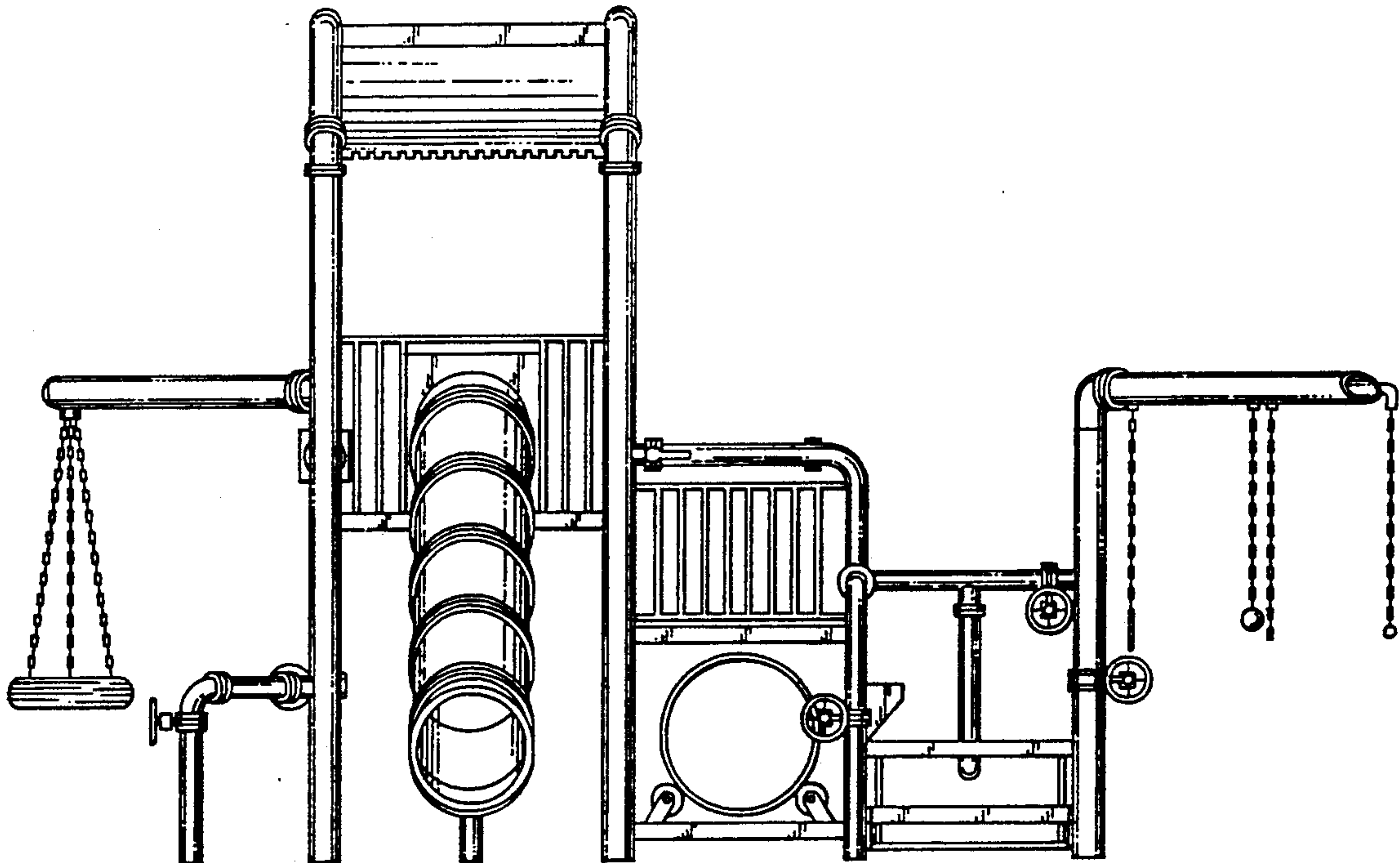
FIG. 1 is a front elevation of a playground structure
showing my new design;

FIG. 2 is a rear elevation thereof;

FIG. 3 is a right side elevation thereof;

FIG. 4 is a left side elevation thereof; and,

FIG. 5 is a top plan view thereof.



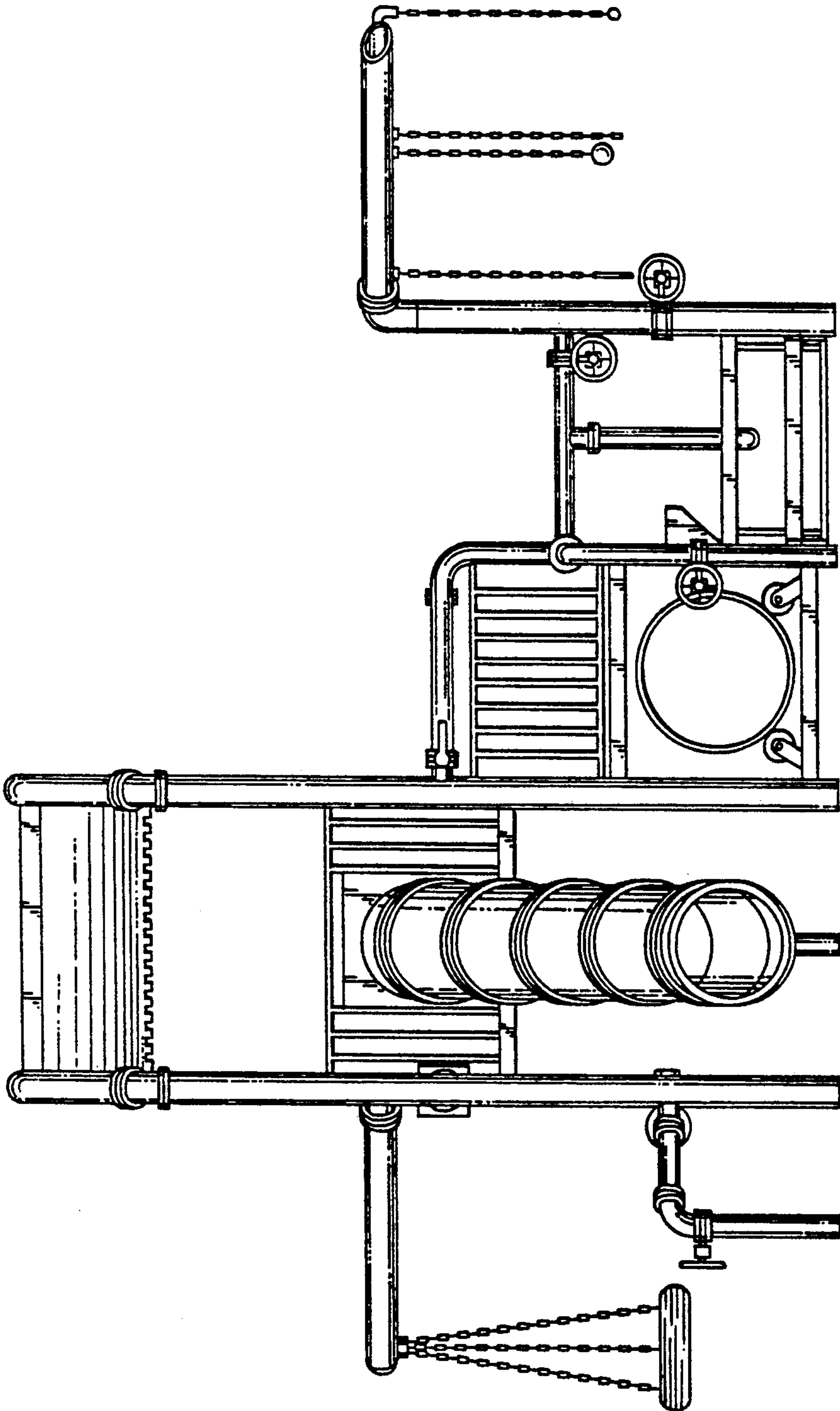


FIG. 1

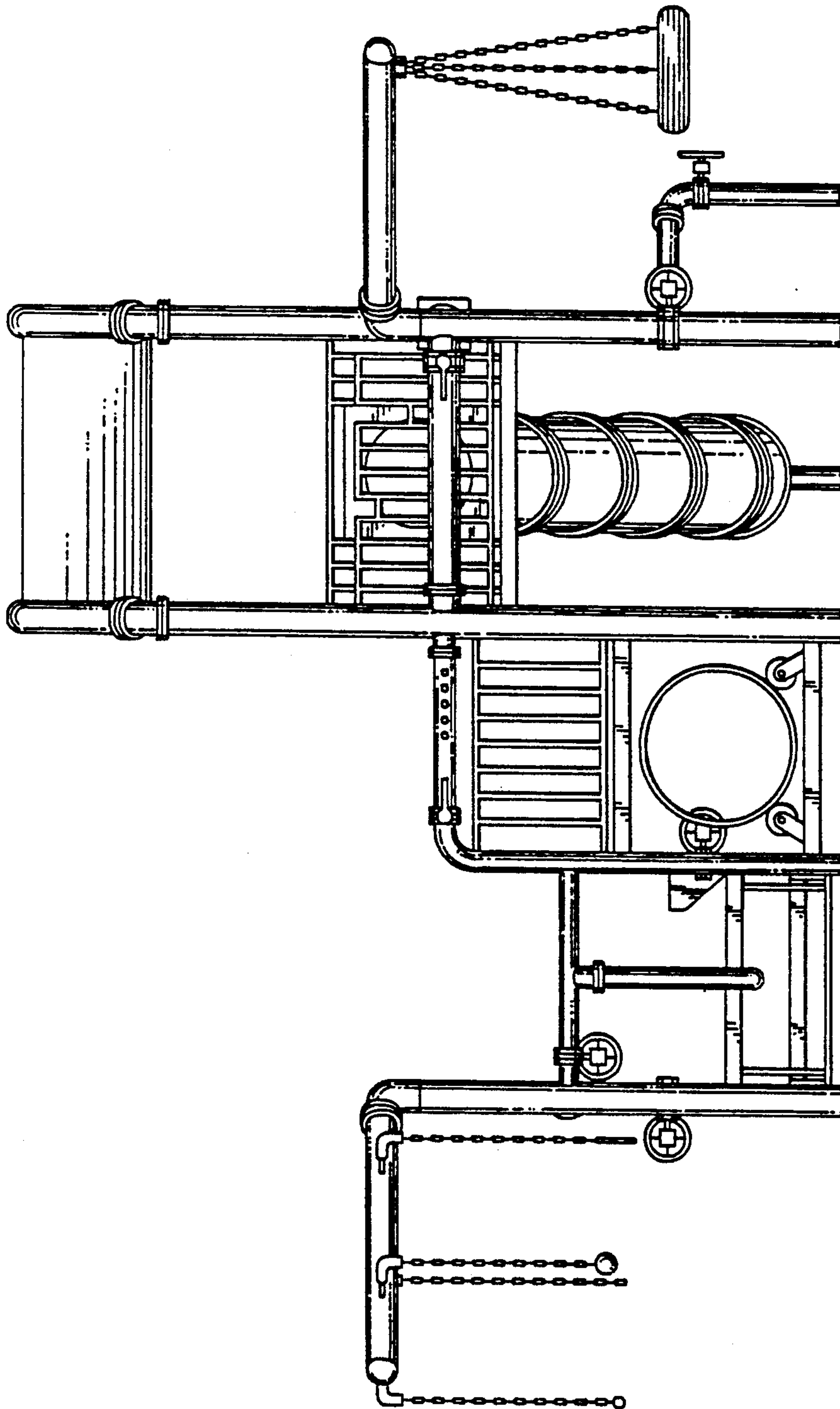


FIG. 2

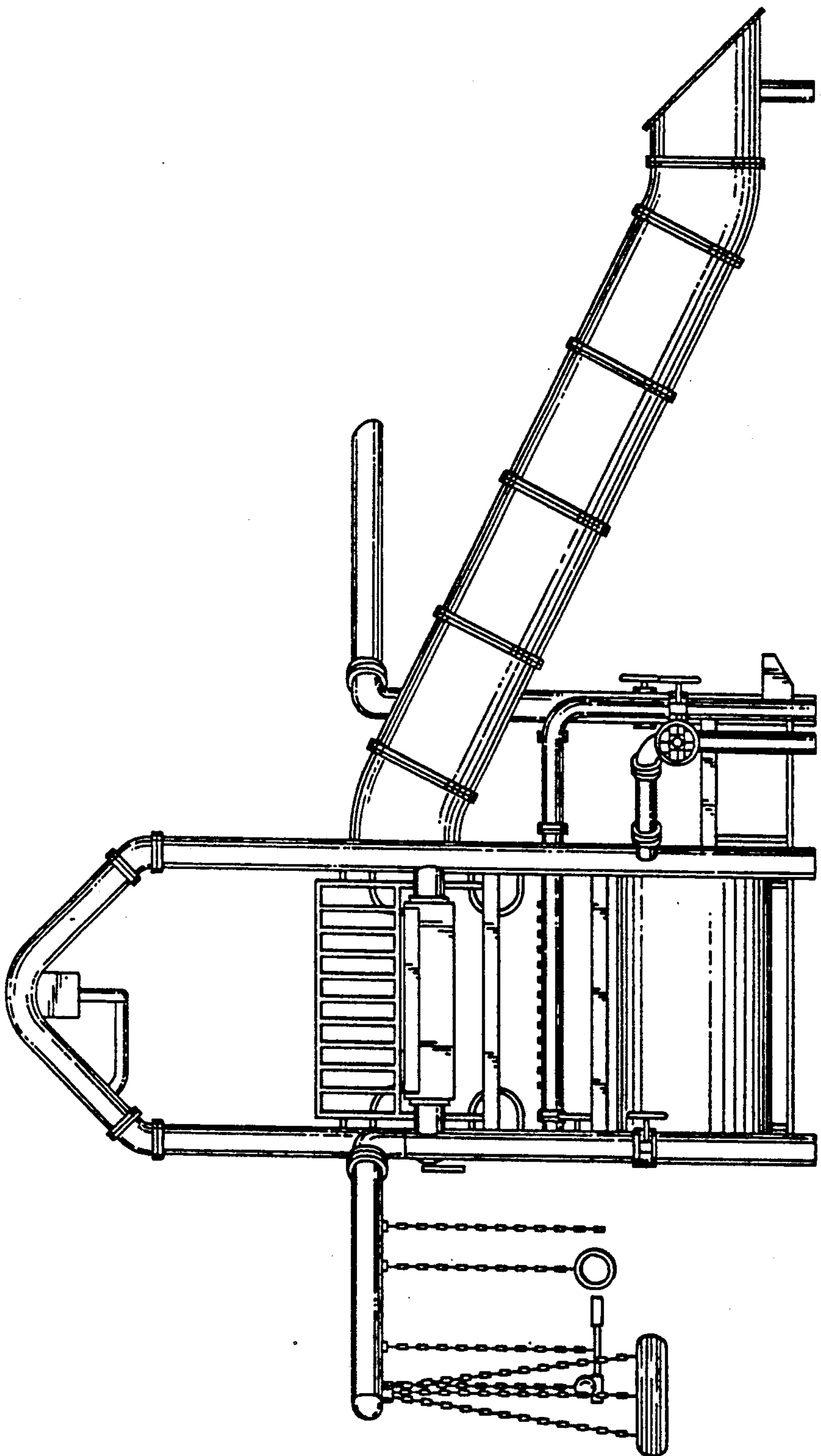


FIG. 3

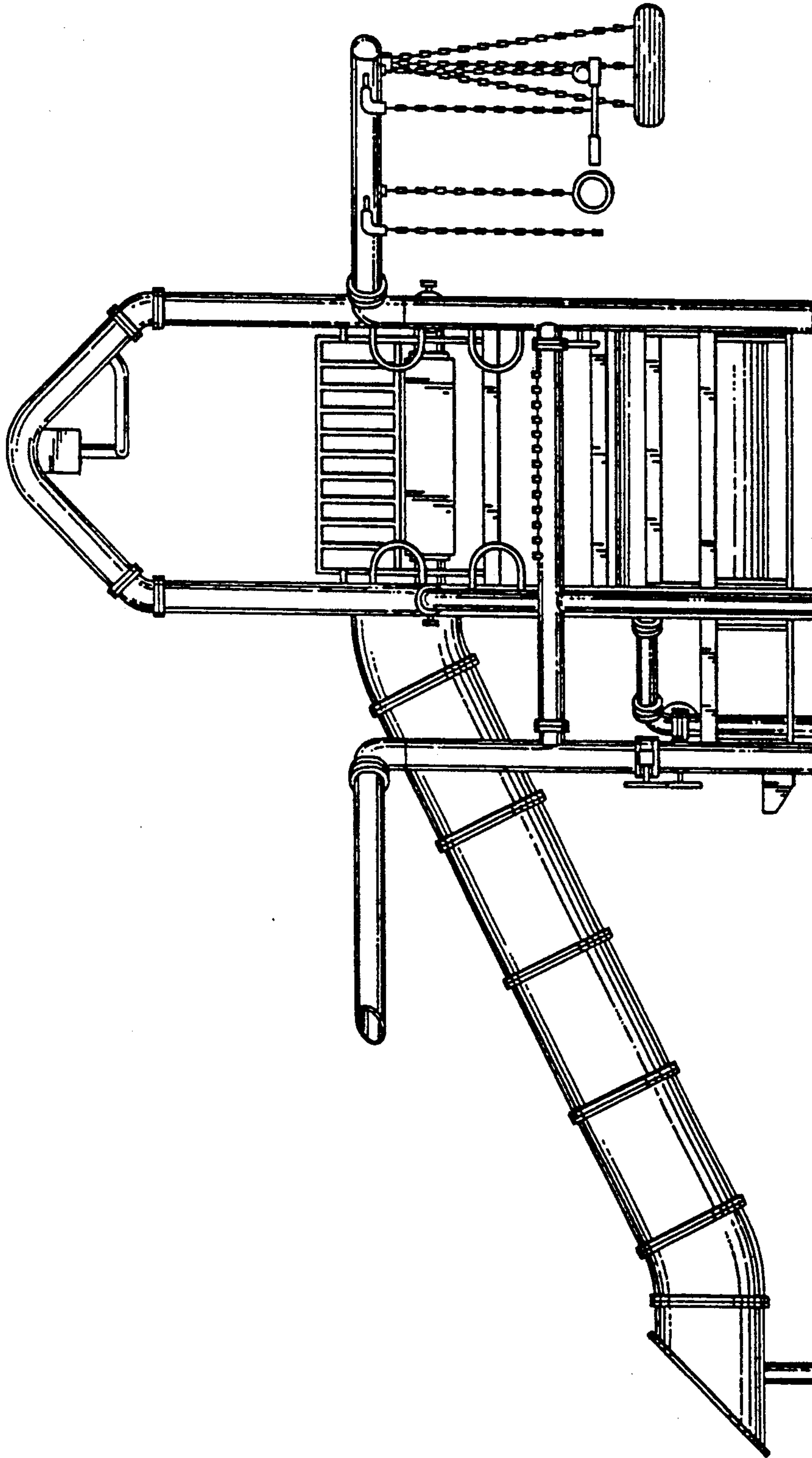


FIG. 4

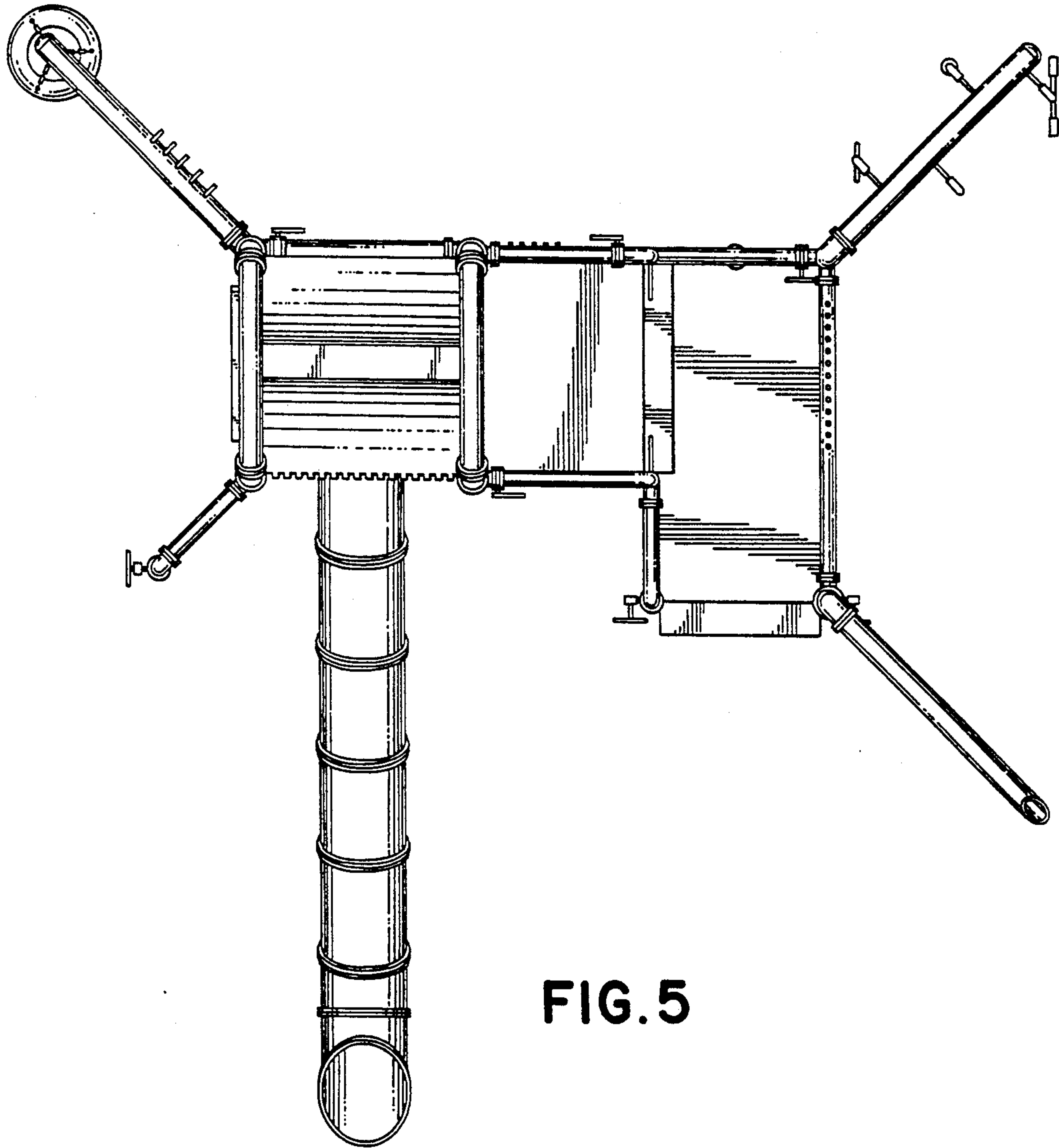


FIG. 5