



US00D330572S

United States Patent [19]
Gehlbach

[11] **Patent Number: Des. 330,572**

[45] **Date of Patent: ** Oct. 27, 1992**

[54] **CHRISTMAS TREE ORNAMENT**

2,896,033 7/1959 Hartz D13/182 X
4,709,307 11/1987 Branom 362/103

[76] **Inventor: Steve M. Gehlbach, 1825 Austin Ave., Los Altos, Calif. 94022**

Primary Examiner—Bernard Ansher
Assistant Examiner—Dominic Simons
Attorney, Agent, or Firm—Flehr, Hohbach, Test, Albritton & Herbert

[**] **Term: 14 Years**

[21] **Appl. No.: 444,613**

[57] **CLAIM**

[22] **Filed: Dec. 1, 1989**

The ornamental design for a christmas tree ornament, as shown and described.

[52] **U.S. Cl. D11/118; D11/121**

[58] **Field of Search D11/118, 117, 121; D13/123, 153, 182, 199; 362/103, 104, 123, 252, 806**

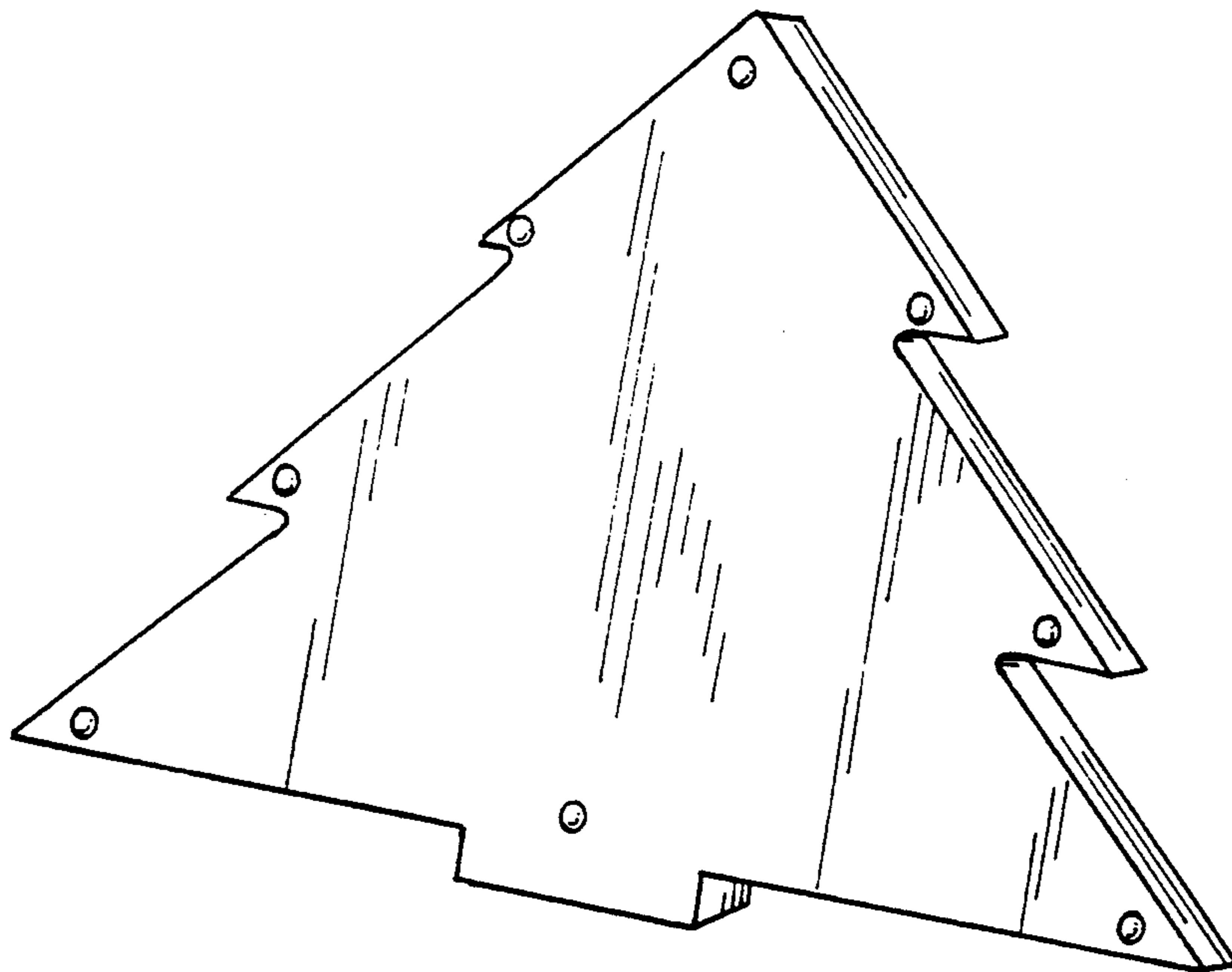
DESCRIPTION

[56] **References Cited**

U.S. PATENT DOCUMENTS

- D. 128,639 8/1941 Nietzsche D11/118
- D. 163,476 5/1951 Olson D11/118
- D. 167,627 9/1952 Hartman D11/118 X
- D. 231,250 4/1974 Klassen D11/118 X

FIG. 1 is a front elevational view of a christmas tree ornament showing my new design;
FIG. 2 is a rear elevational view thereof;
FIG. 3 is a top plan view thereof;
FIG. 4 is a bottom plan view thereof;
FIG. 5 is a front perspective view thereof; and,
FIG. 6 is a right side elevational view thereof, the left side being a mirror image.



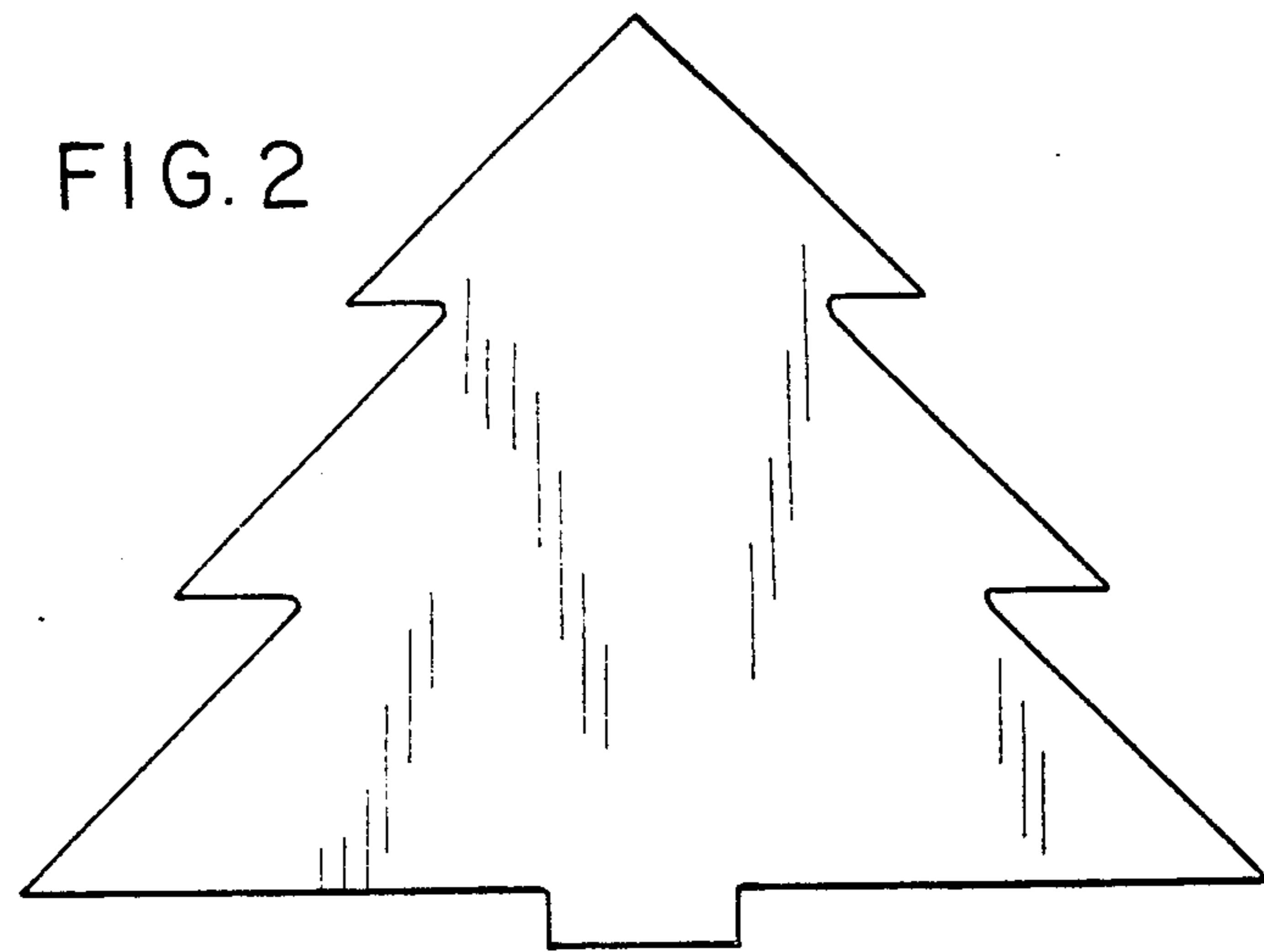
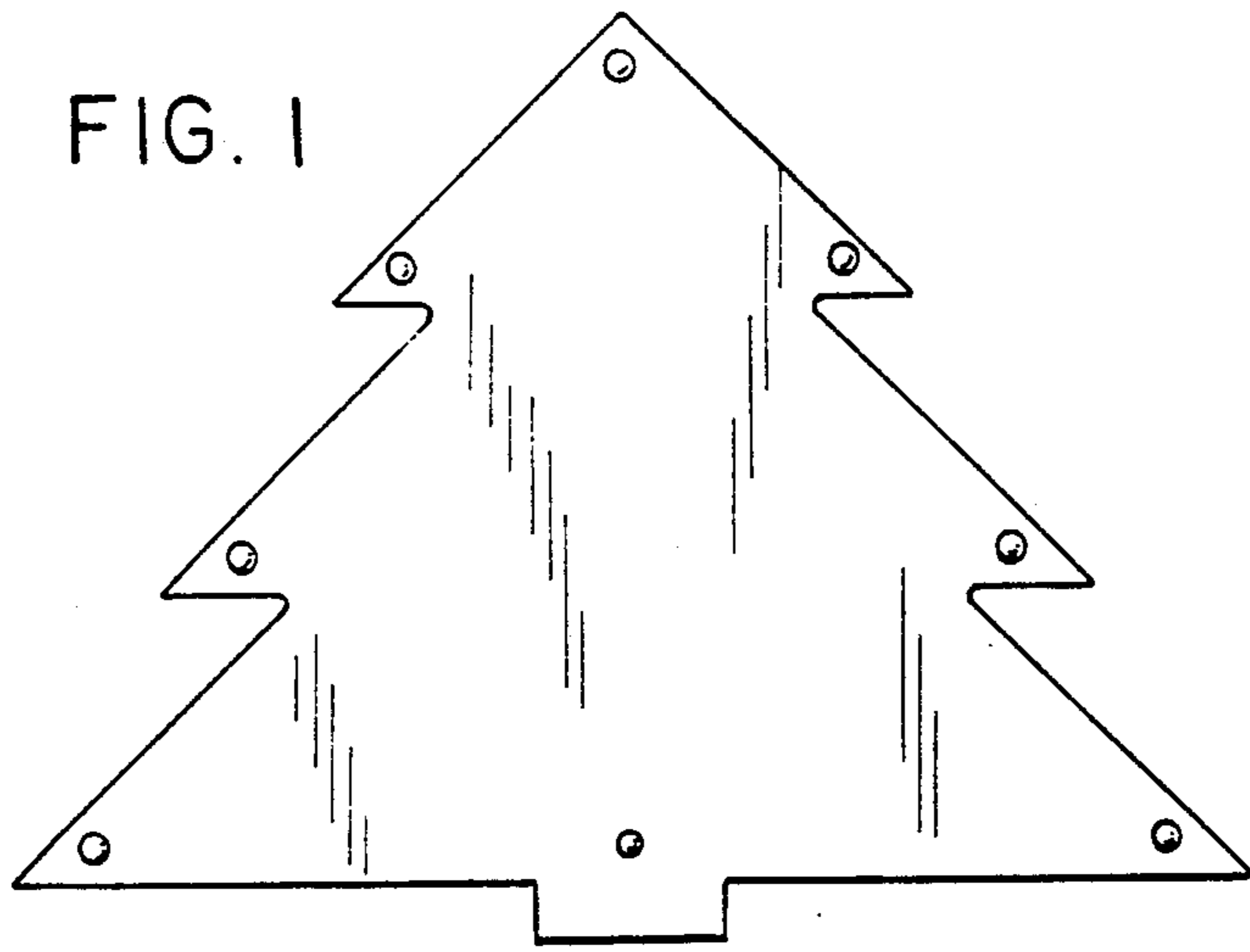


FIG. 3



FIG. 4



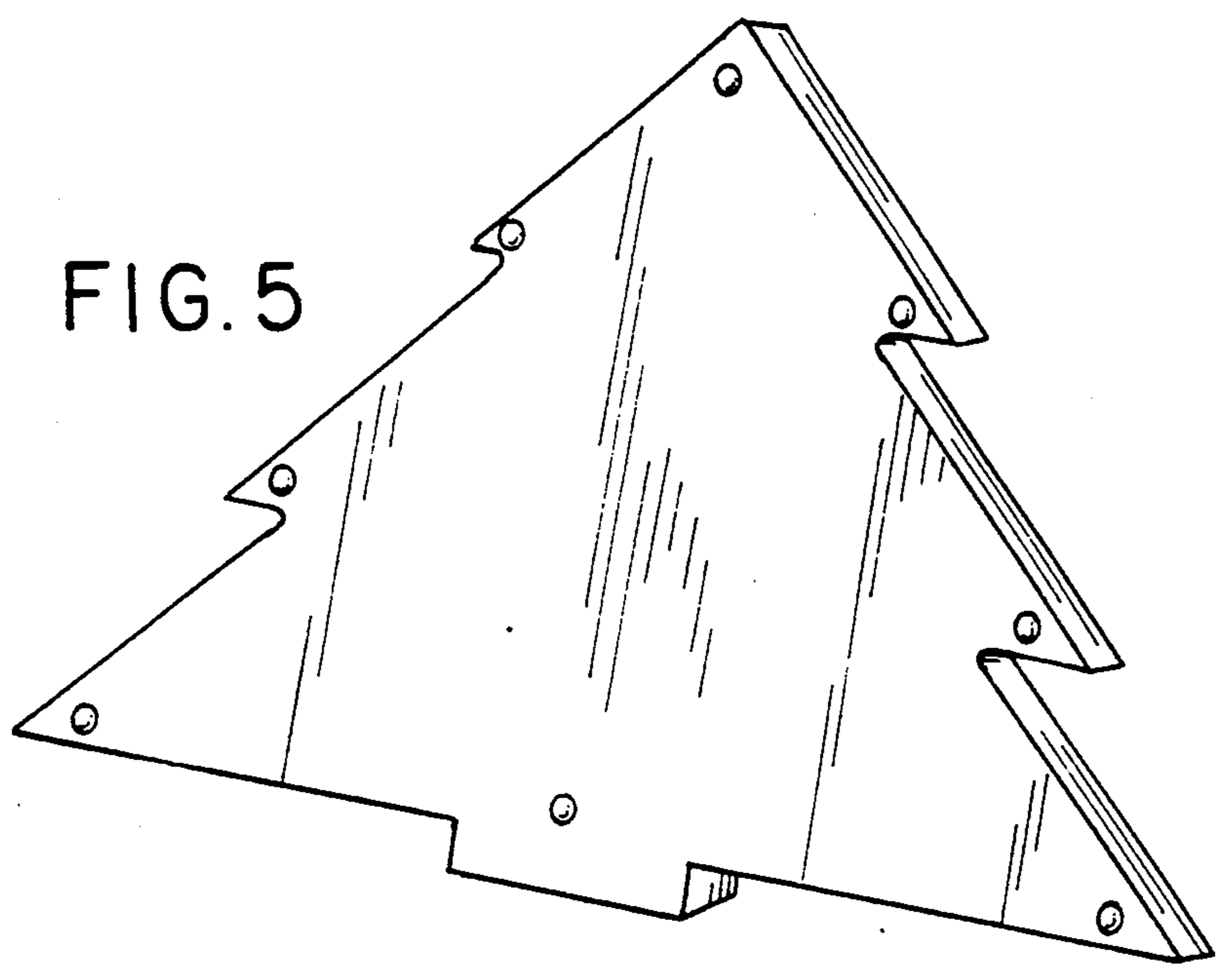


FIG. 6

