



US00D330571S

# United States Patent [19]

[11] Patent Number: **Des. 330,571**

**Paysan et al.**

[45] Date of Patent: **\*\* Oct. 27, 1992**

[54] **LASER-PROTECTION SPECTACLES**

[75] Inventors: **Heinz-Wilhelm Paysan**,  
Aalen-Waldhausen; **Wolfgang Grimm**,  
Heidenhaim; **Hermann Schürle**,  
Aalen; **Hans Gaiser**, Reutlingen;  
**Heinz Gutbrod**, Leonberg, all of Fed. Rep. of Germany

[73] Assignee: **Carl-Zeiss-Stiftung**,  
Heidenheim/Brenz, Oberkochen,  
Fed. Rep. of Germany

[\*\*] Term: **14 Years**

[21] Appl. No.: **683,762**

[22] Filed: **Apr. 11, 1991**

[30] **Foreign Application Priority Data**

Oct. 13, 1990 [DE] Fed. Rep. of Germany ..... 9006783  
[52] U.S. Cl. .... **D16/102**  
[58] Field of Search ..... D16/102, 103, 107, 112,  
D16/116, 117, 119, 123, 118, 121, 125; D29/8,  
9; 351/103-109, 156, 43, 157, 45, 137, 49, 139,  
158, 41, 44, 57, 58, 47, 48; 2/435, 436, 439, 443,  
444, 452, 440, 437, 454

[56] **References Cited**

**U.S. PATENT DOCUMENTS**

D. 113,013 1/1939 Parfrey ..... D16/102  
2,166,110 7/1939 Baldanza ..... 2/454  
2,177,610 10/1939 Ehrlich ..... D16/102  
2,281,129 4/1942 Wolff ..... 351/44

2,307,419 1/1943 McNeill ..... 351/44  
2,504,524 4/1950 Hayward ..... D16/107  
3,155,982 11/1964 Baratelli ..... 351/44  
3,678,929 7/1972 Buscher ..... 2/427  
4,976,530 12/1990 Mackay ..... 351/44

**OTHER PUBLICATIONS**

Accessories Oct. 1988 p. 19.

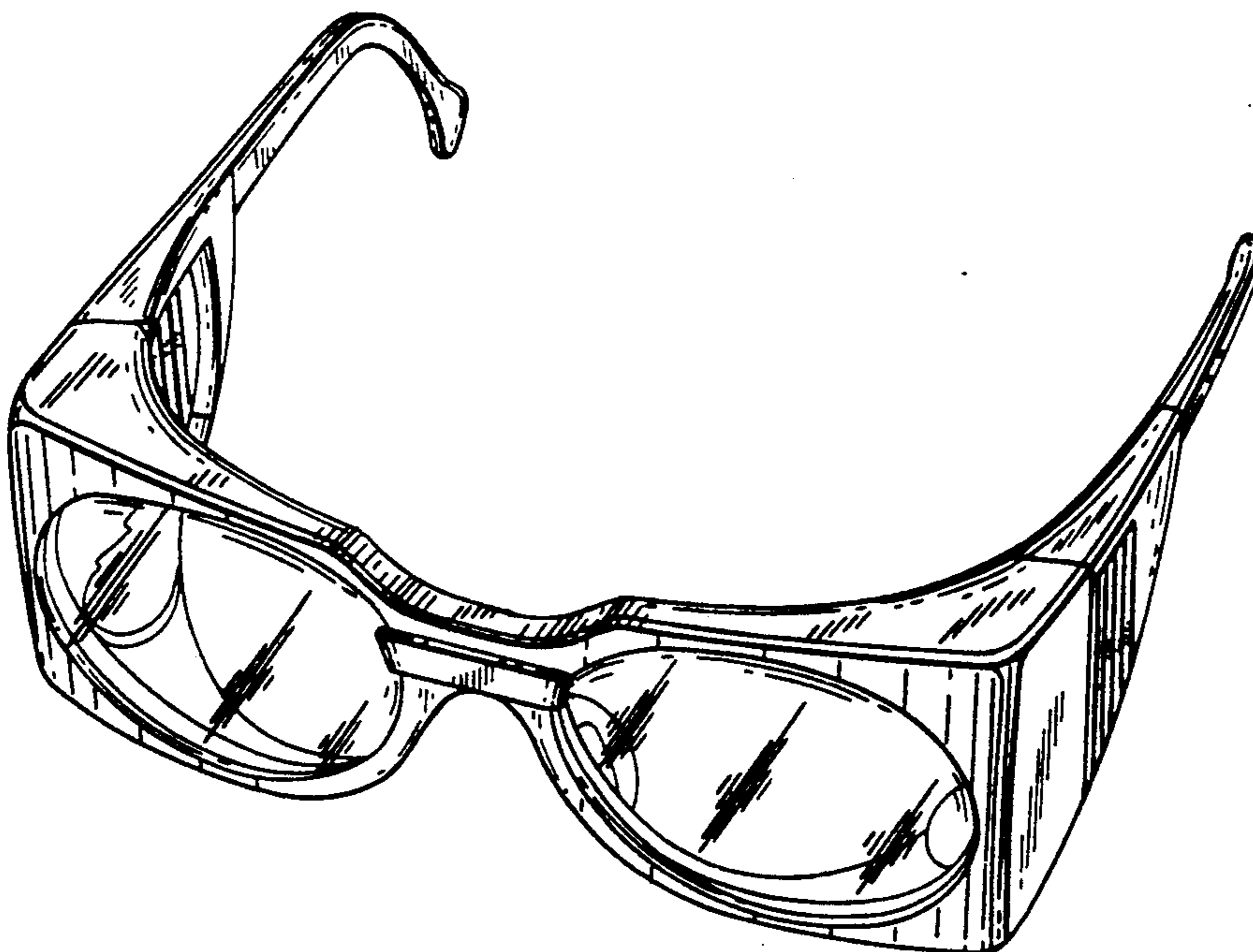
*Primary Examiner*—Bernard Ansher  
*Assistant Examiner*—R. Barkai  
*Attorney, Agent, or Firm*—Hopgood, Calimafde, Kalil,  
Blaustein & Judlowe

[57] **CLAIM**

The ornamental design for laser-protection spectacles,  
as shown and described.

**DESCRIPTION**

FIG. 1 is a front-perspective view of a first embodiment of laser-protection spectacles, showing our new design; FIG. 2 is a front-elevational view thereof; FIG. 3 is a rear-elevational view thereof; FIG. 4 is a top plan view thereof; FIG. 5 is a bottom plan view thereof; FIG. 6 is a left side perspective view thereof; FIG. 7 is a right side perspective view thereof; FIG. 8 is a front perspective view of a second modified embodiment of the design shown in FIGS. 1-7; FIG. 9 is a front elevational view thereof; FIG. 10 is a top plan view thereof; FIG. 11 is a rear elevational view thereof; FIG. 12 is a bottom plan view thereof; FIG. 13 is a right side perspective view thereof; and, FIG. 14 is a left side perspective view thereof.



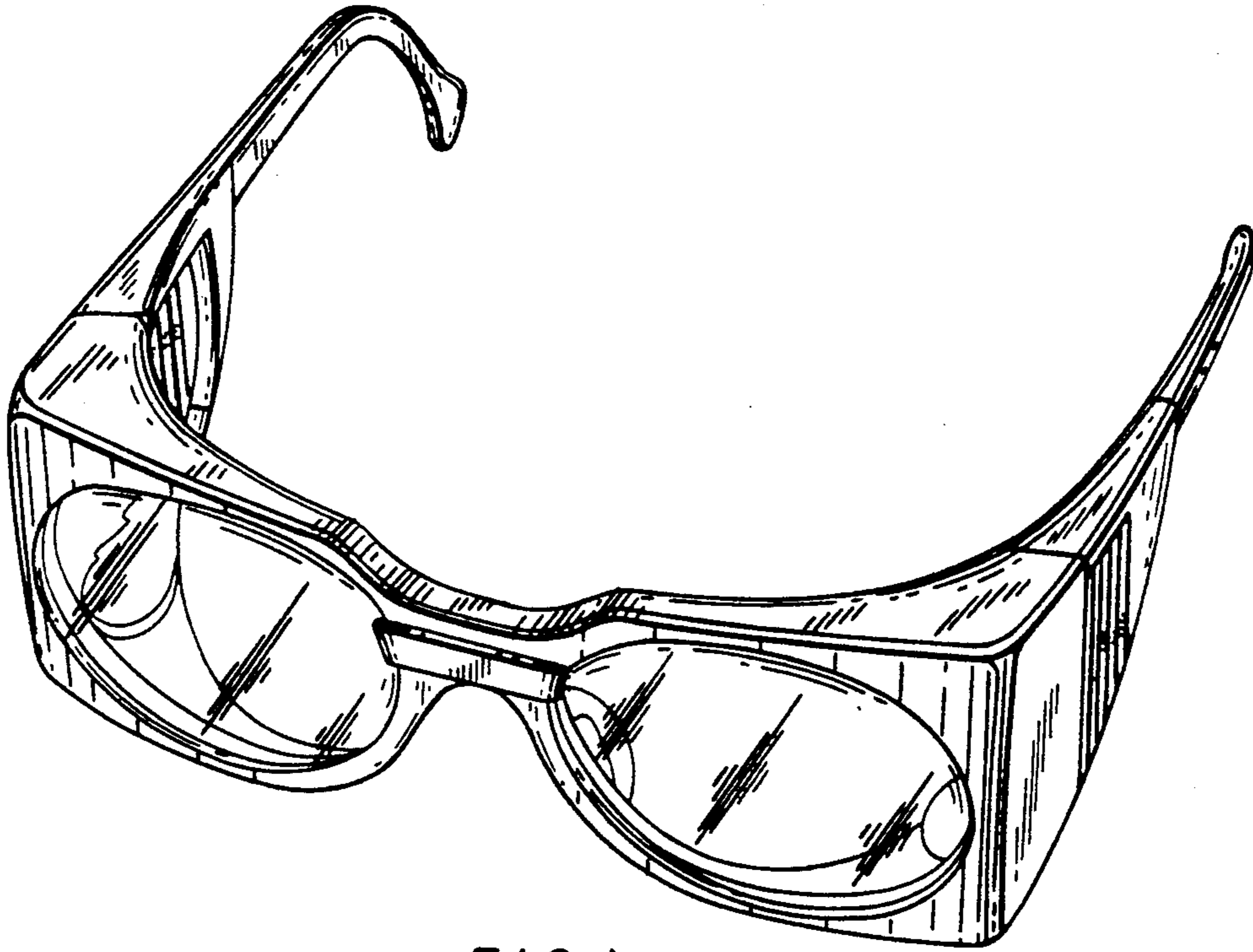


FIG. 1

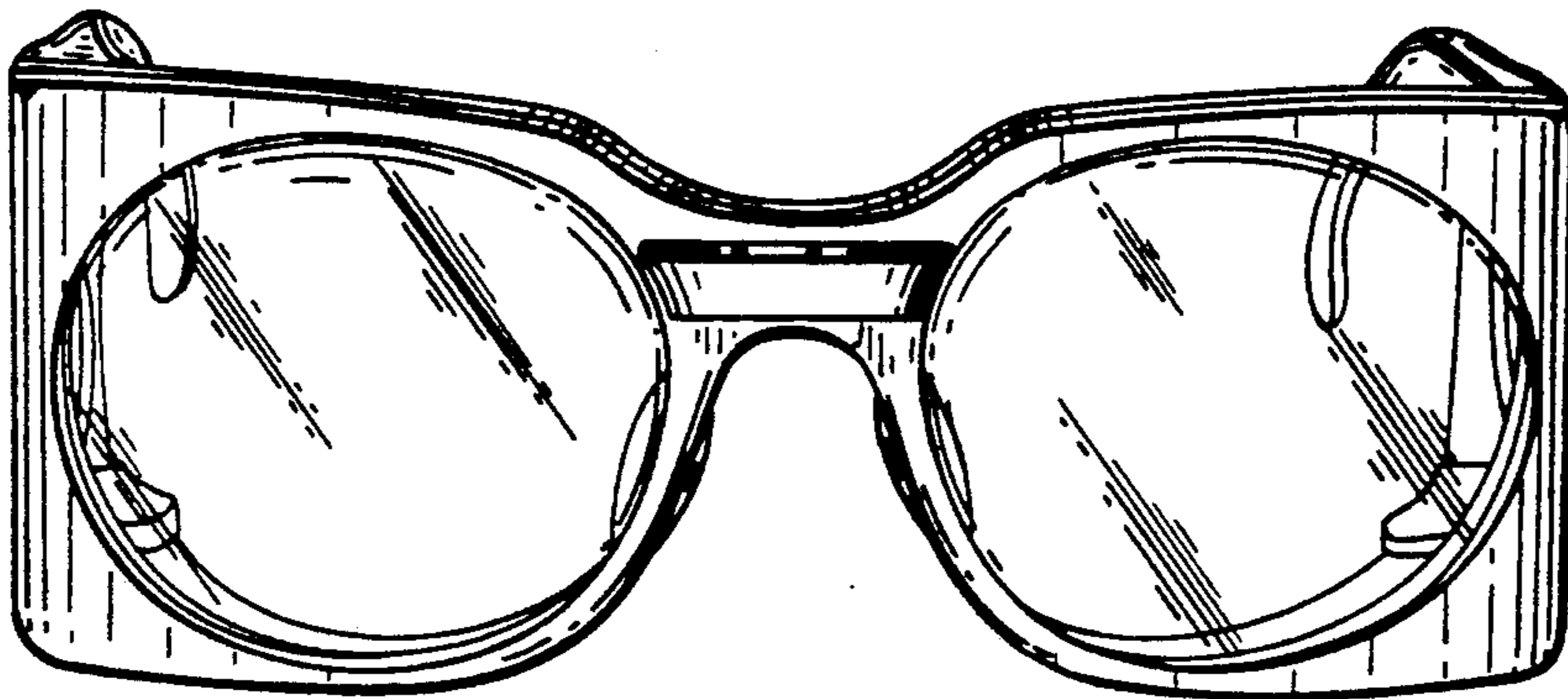


FIG. 2

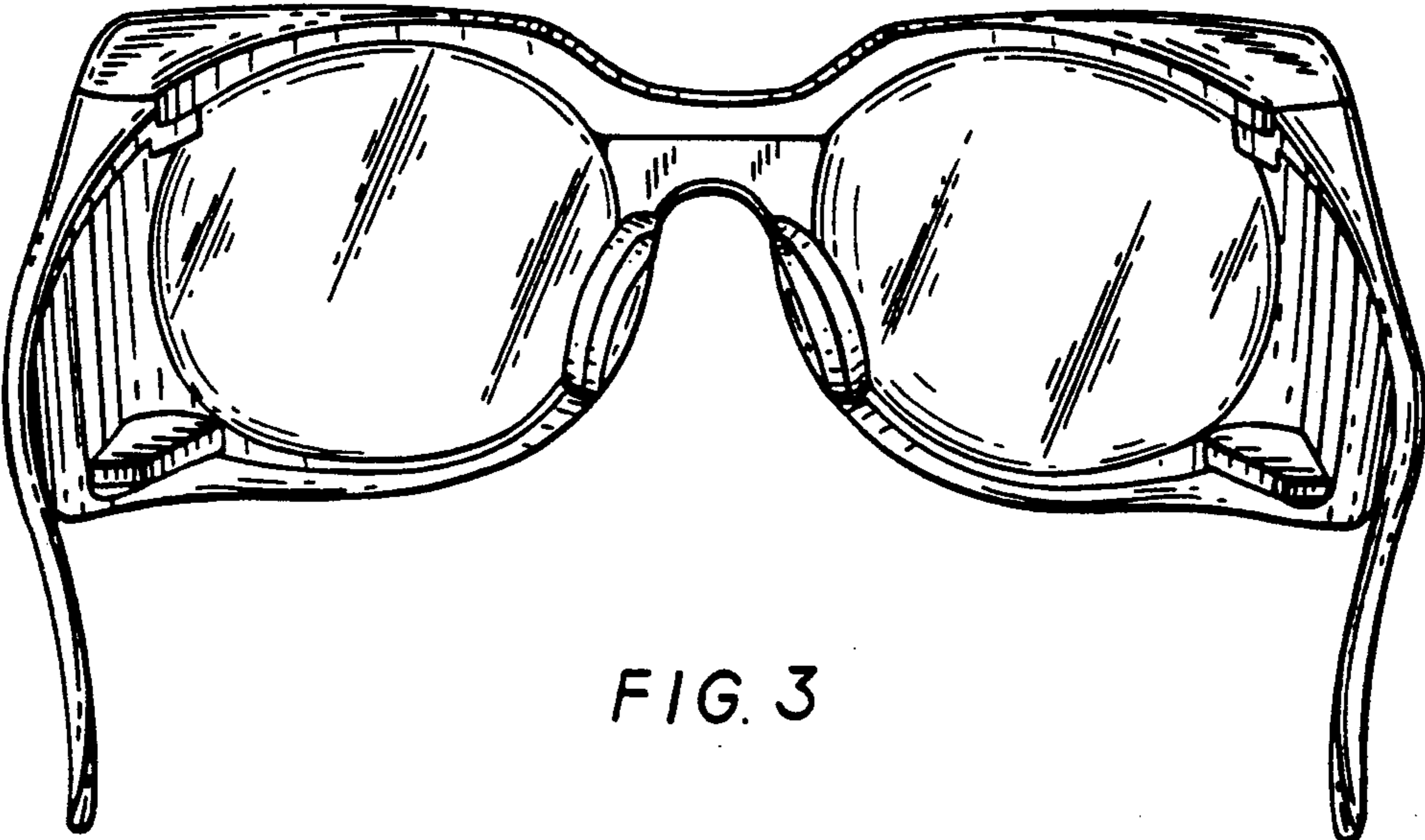


FIG. 3

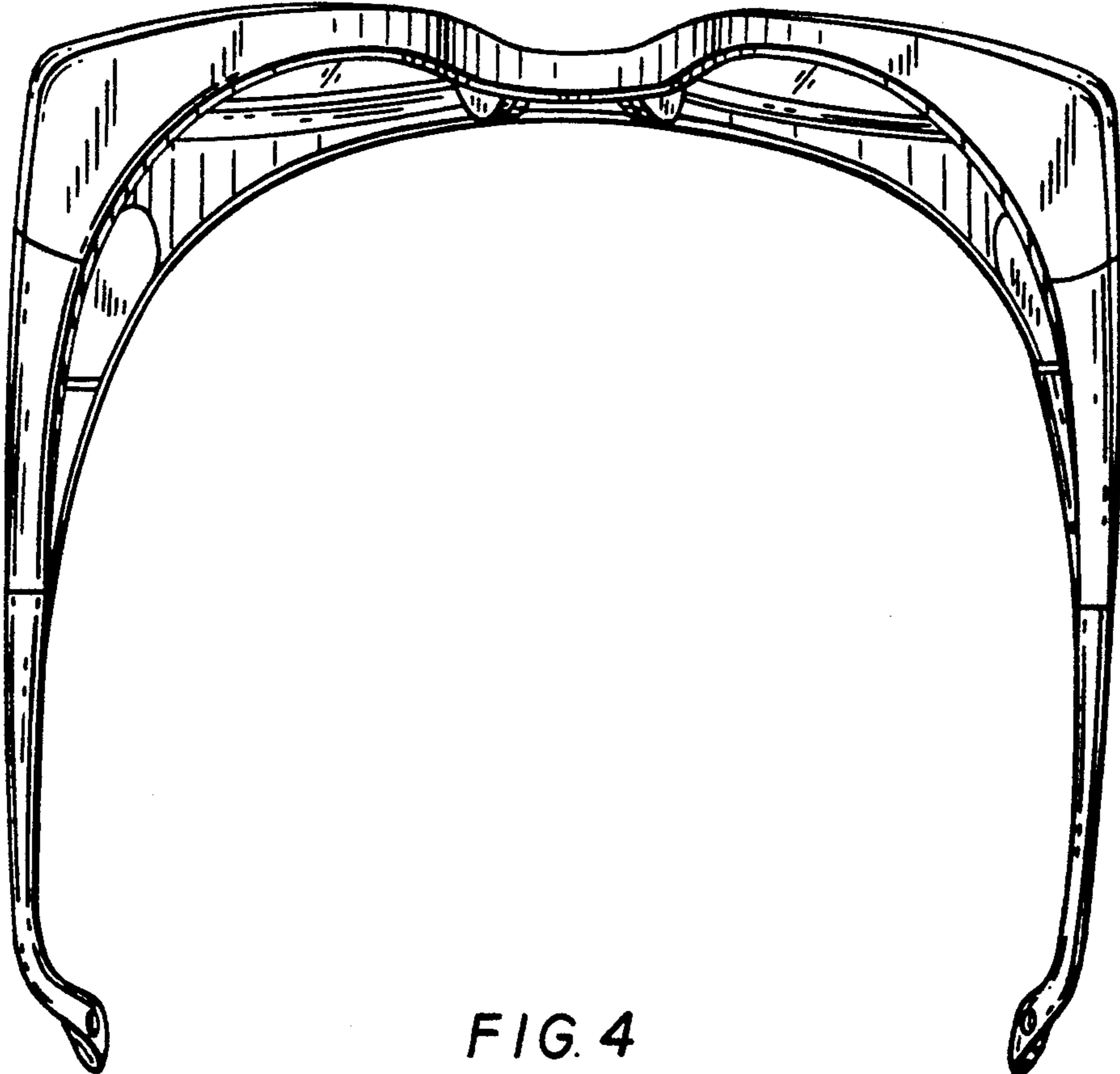


FIG. 4

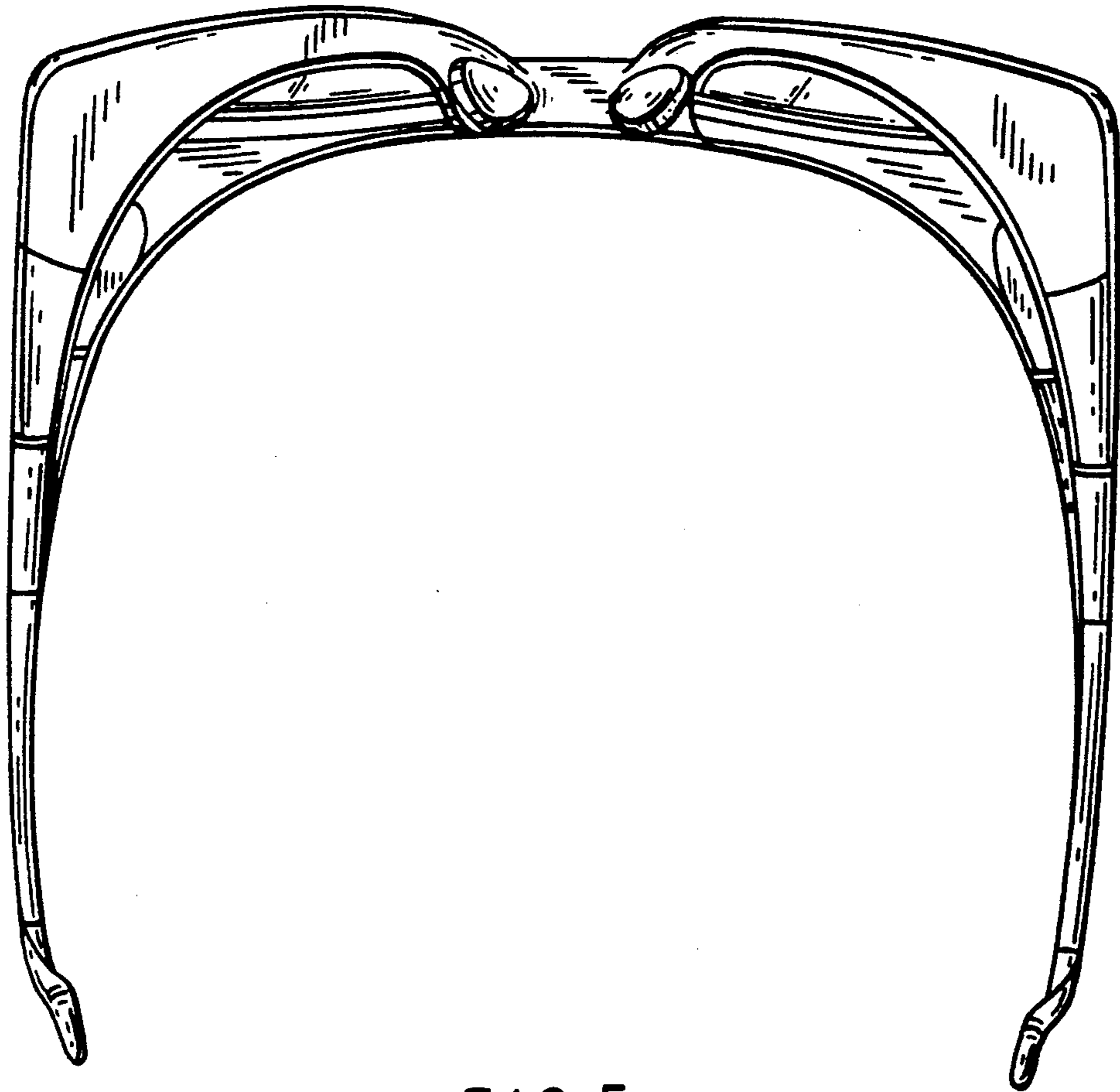


FIG. 5

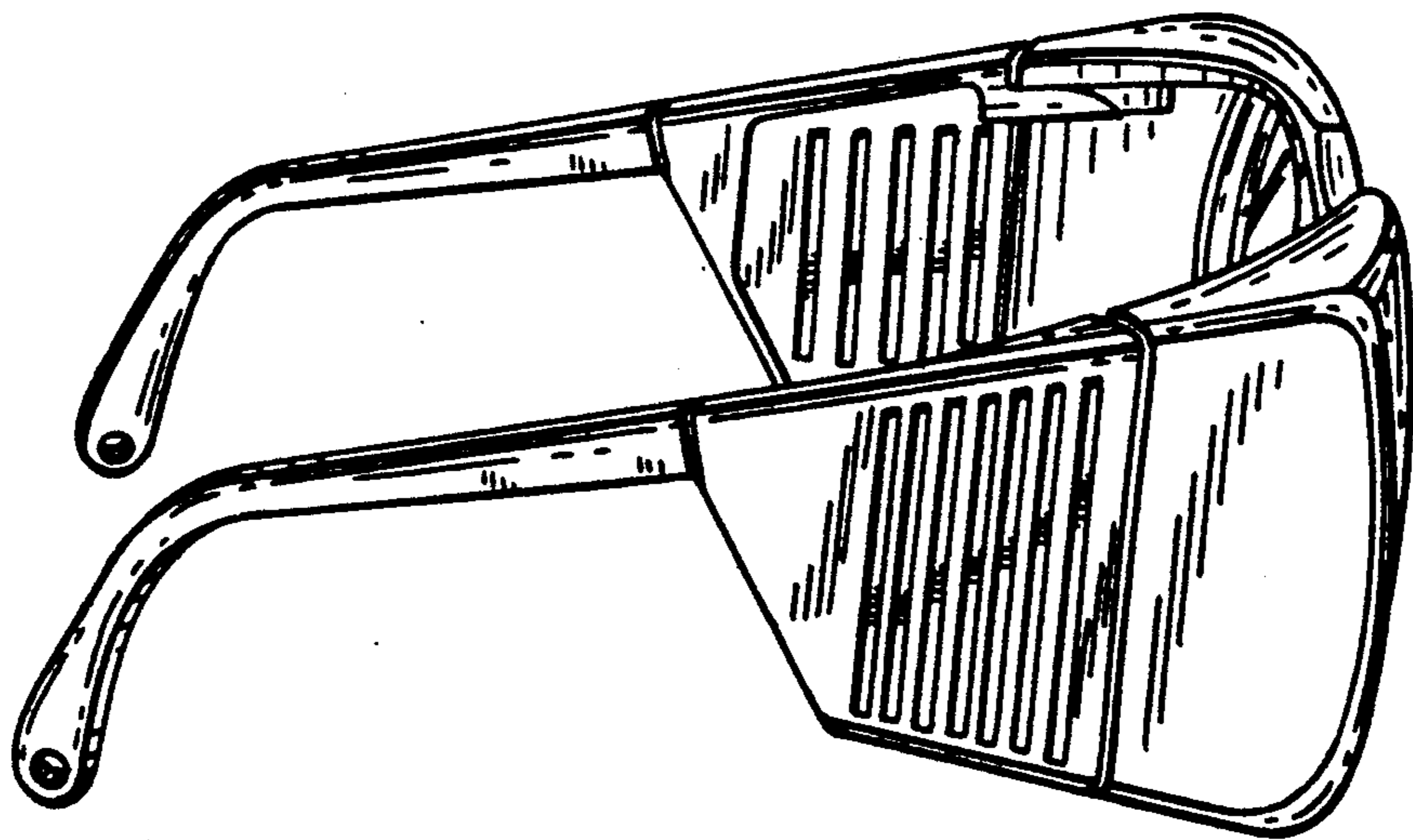


FIG. 6

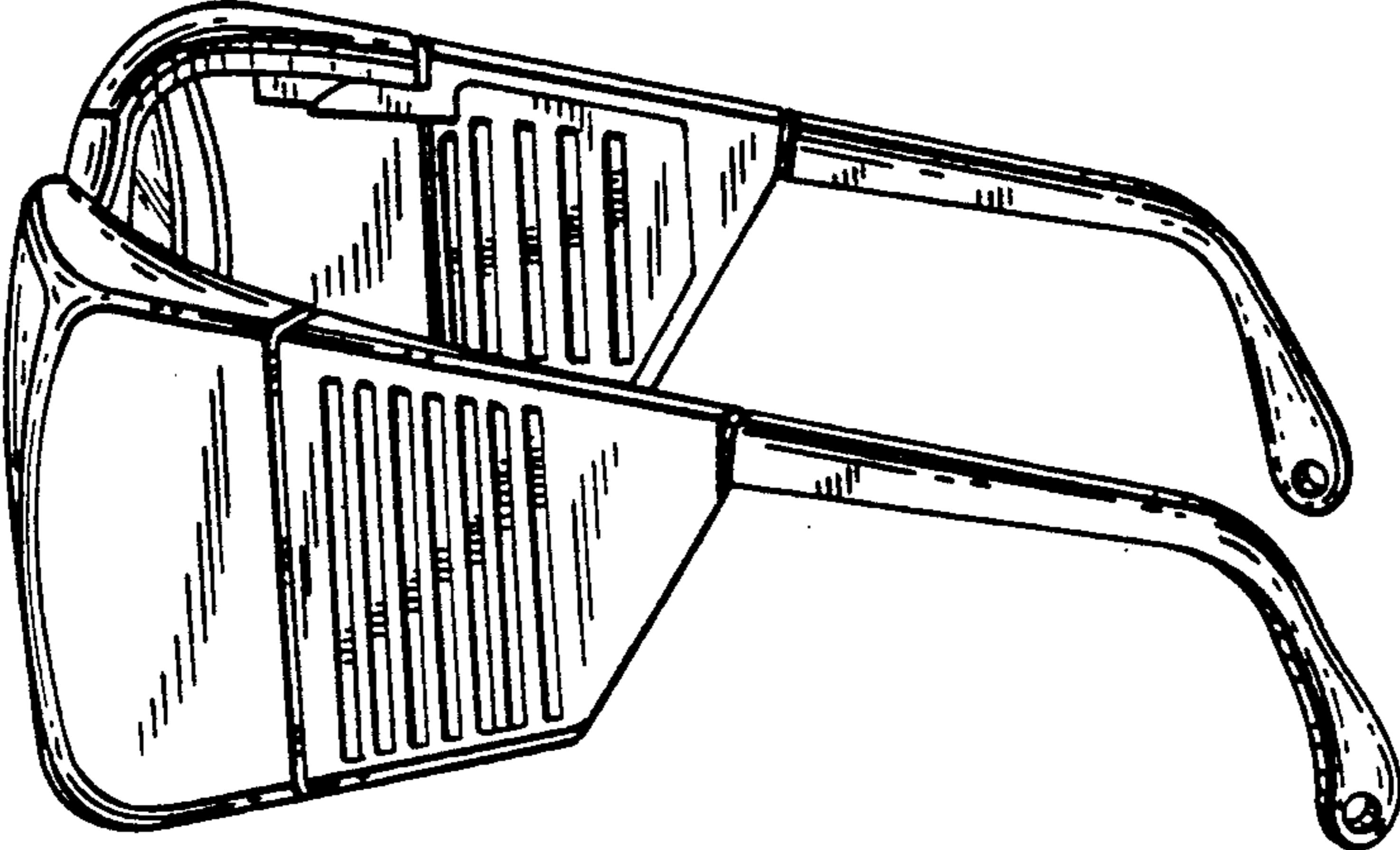


FIG. 7

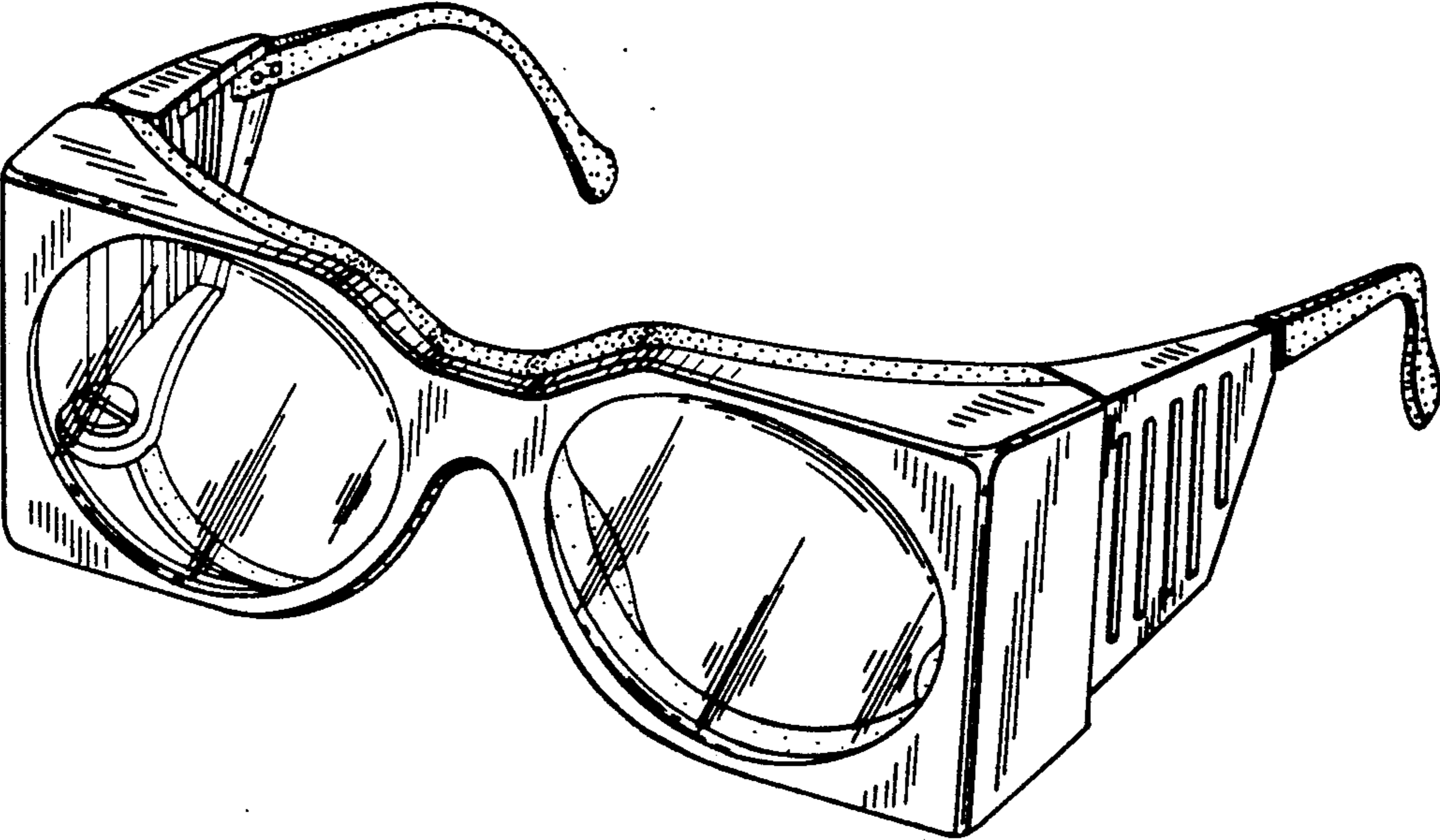


FIG. 8

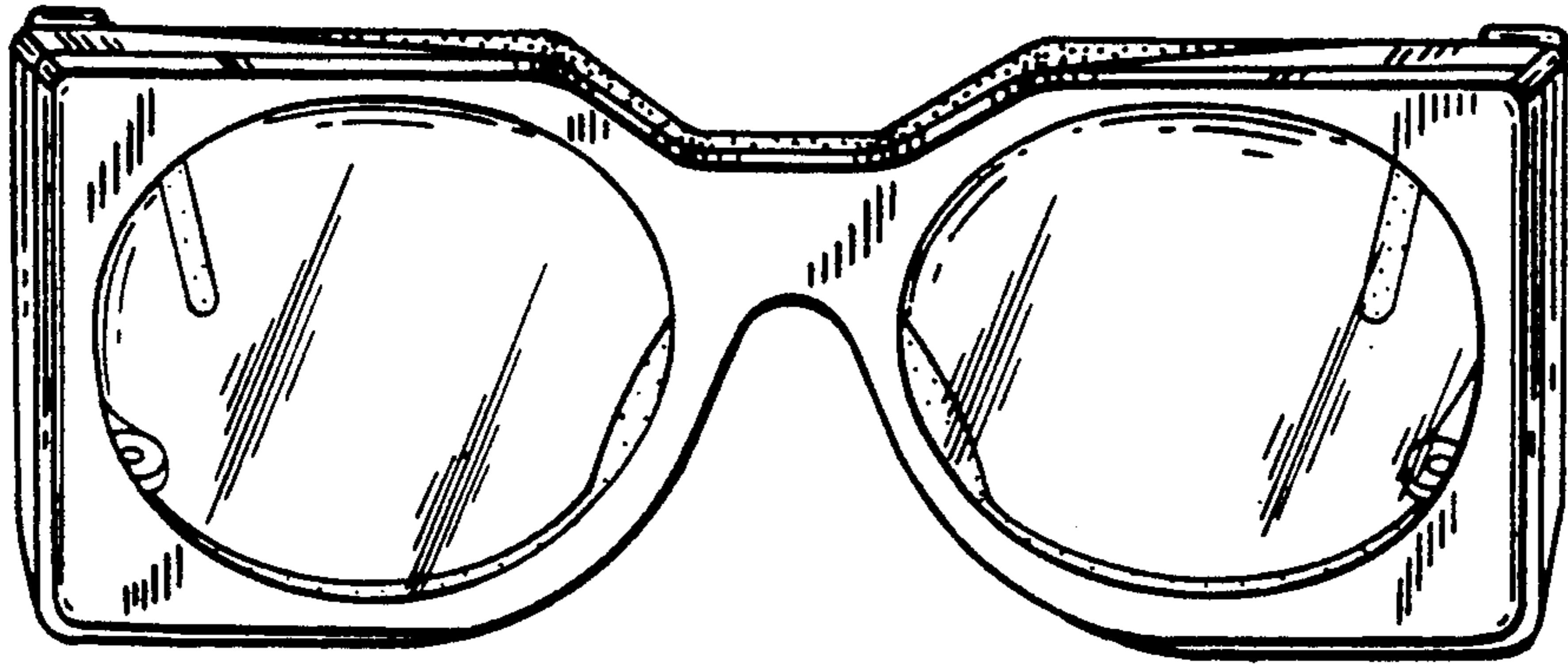


FIG. 9

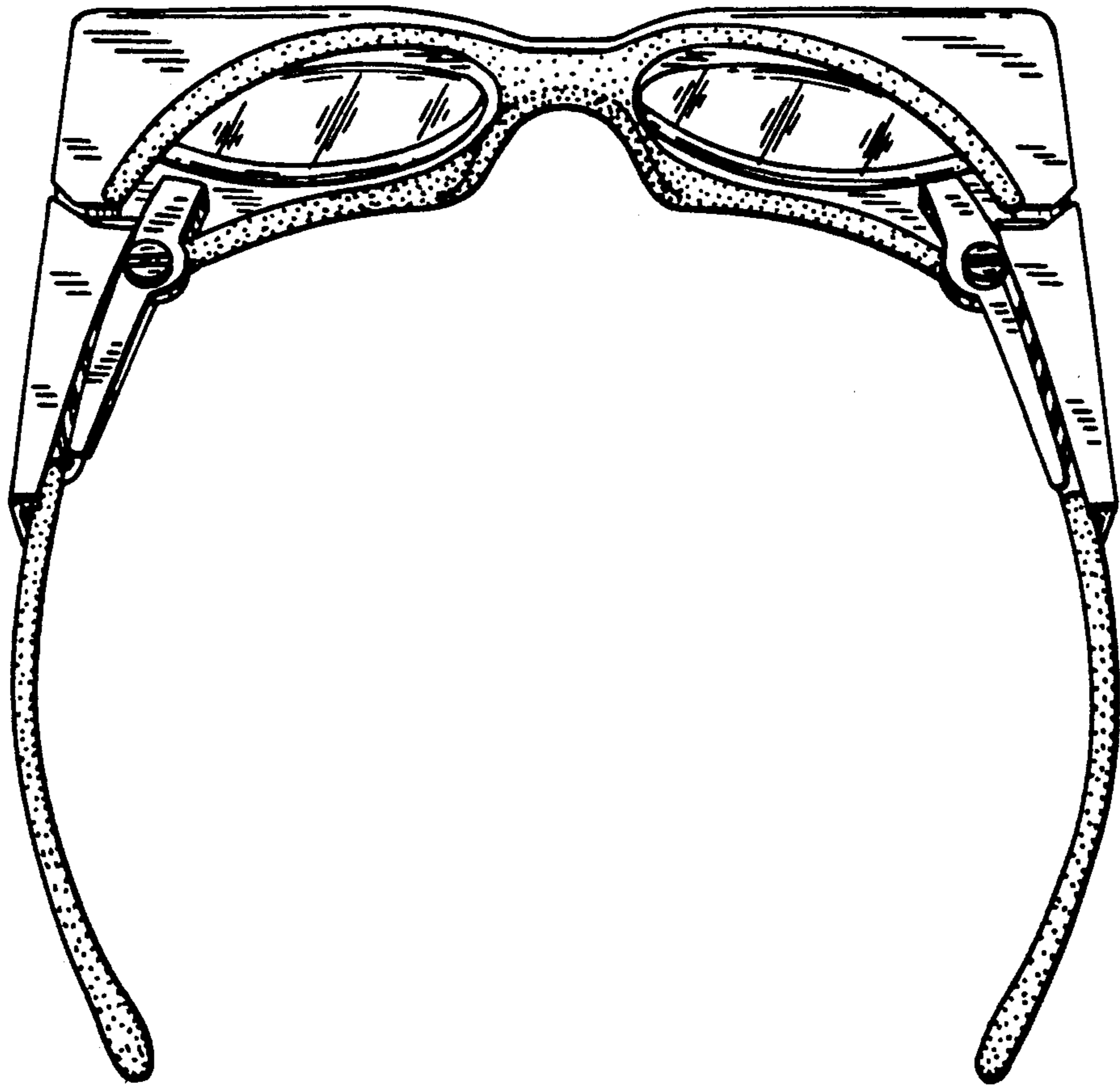


FIG. 10

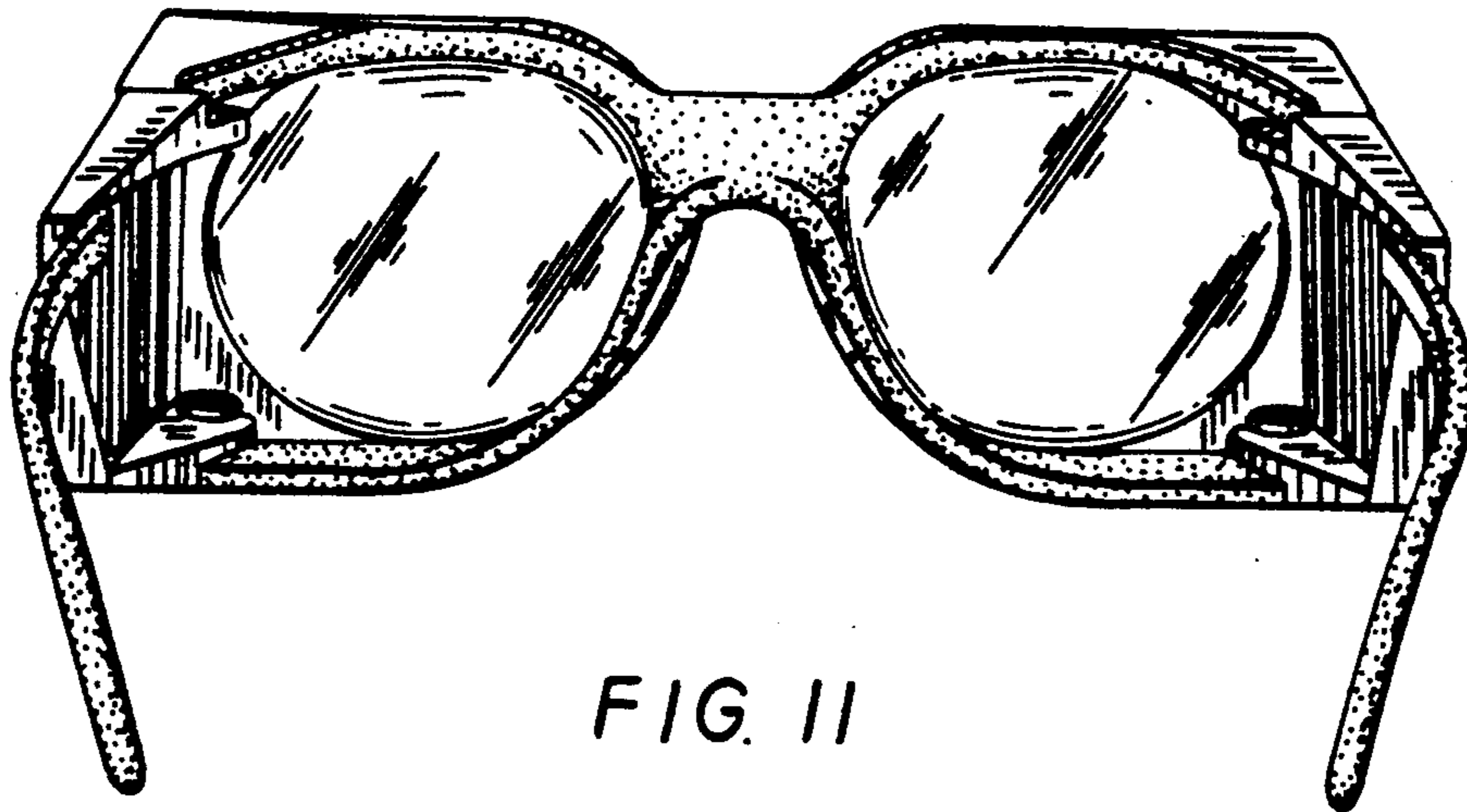


FIG. 11

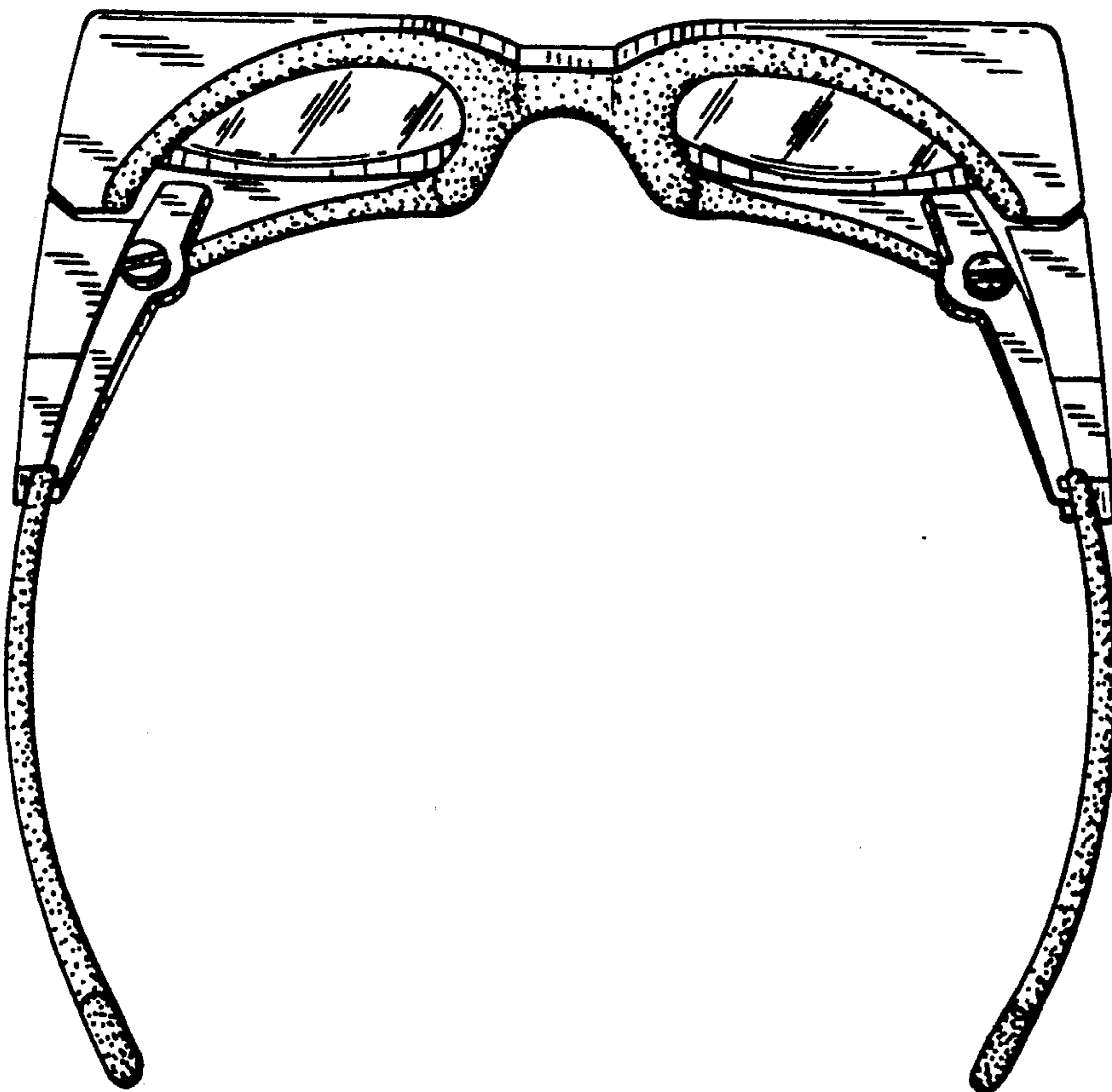


FIG. 12

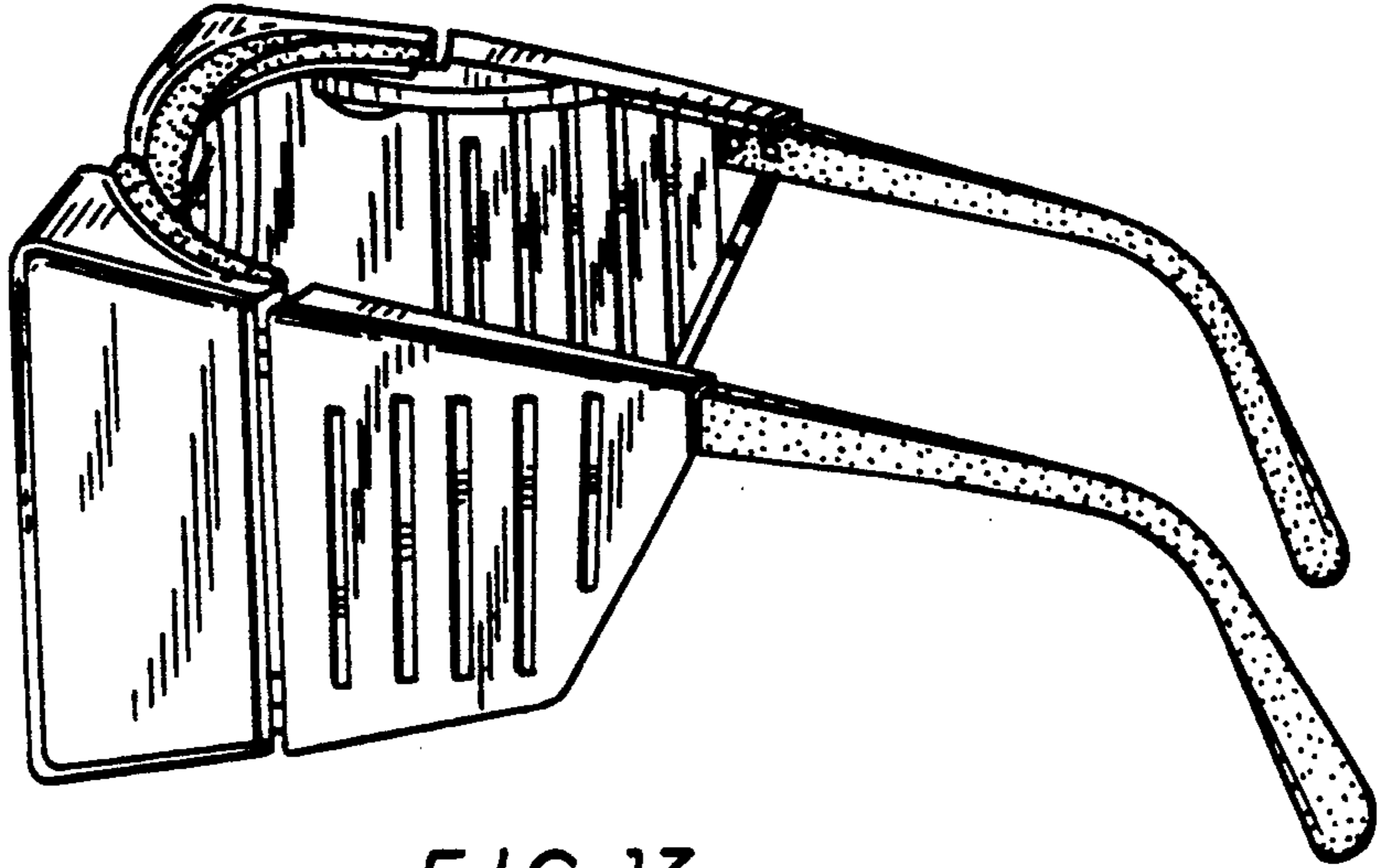


FIG. 13

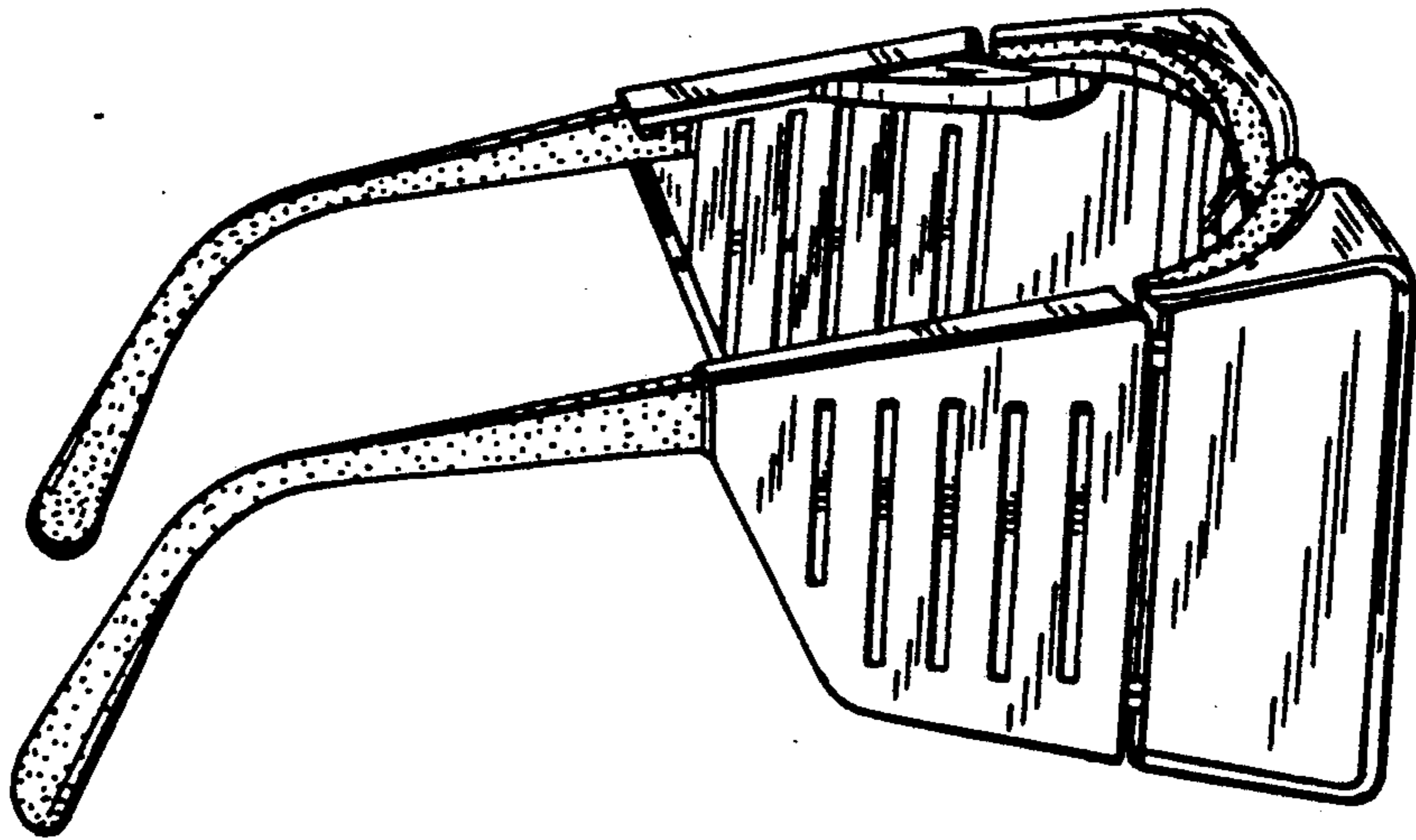


FIG. 14