



US00D330570S

United States Patent [19] Maldeney, II

[11] Patent Number: **Des. 330,570**
[45] Date of Patent: **** Oct. 27, 1992**

- [54] SHUFFLEBOARD CABINET
- [75] Inventor: **Robert F. Maldeney, II**, Huntertown, Ind.
- [73] Assignee: **Playfair Shuffleboard Co., Inc.**, Ft. Wayne, Ind.
- [**] Term: **14 Years**
- [21] Appl. No.: **537,273**
- [22] Filed: **Jun. 13, 1990**
- [52] U.S. Cl. **D21/14**
- [58] Field of Search **D21/14-36, D21/7, 11, 232; 273/236-285, 2, 3 R, 3 C, 126 R**

- [56] **References Cited**
- U.S. PATENT DOCUMENTS**
- D. 235,669 7/1975 LeMieux D21/16
- D. 285,943 9/1986 Sadleir D21/11
- D. 319,860 9/1991 Ascher D21/232

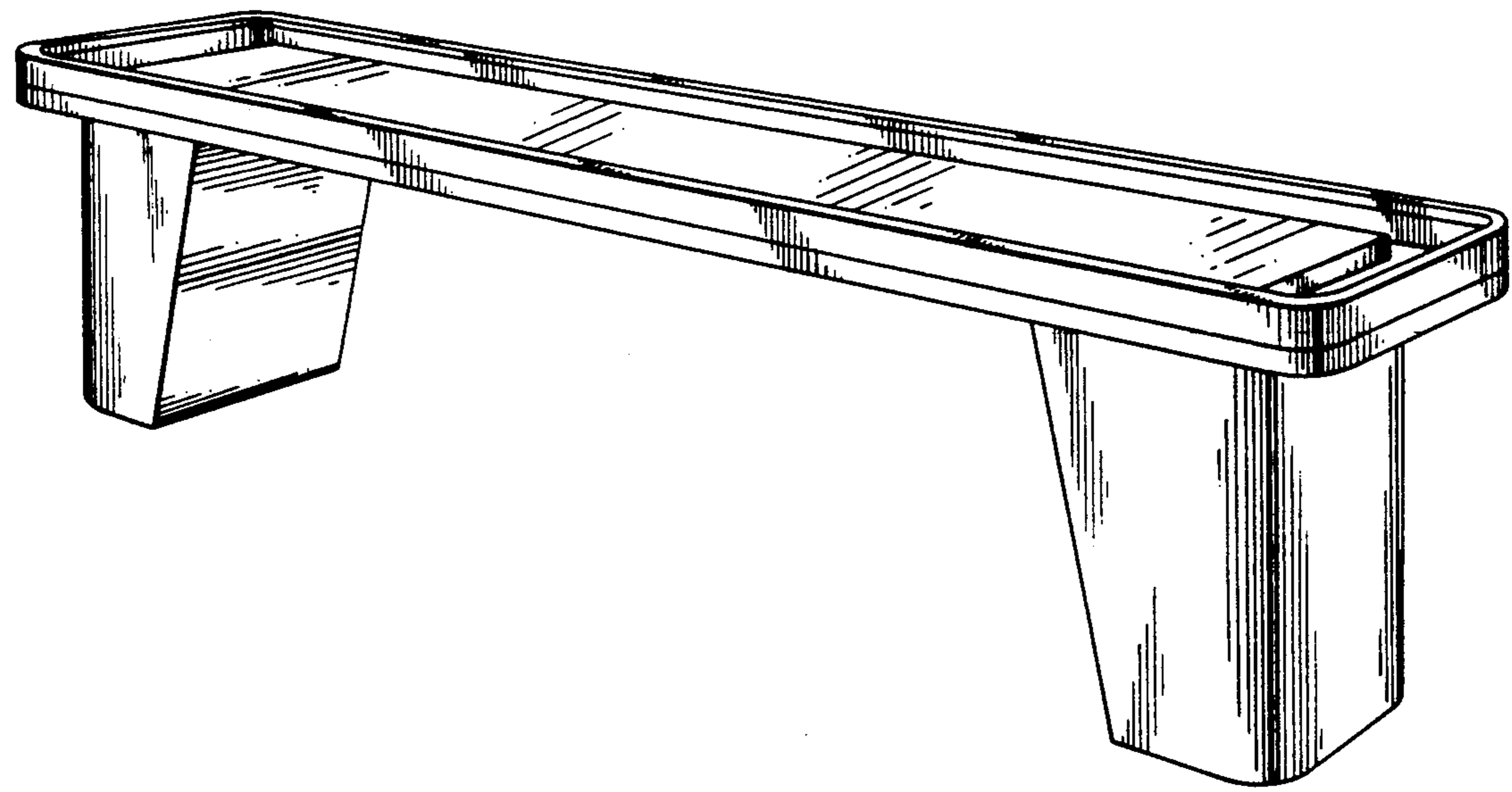
- OTHER PUBLICATIONS**
- Merchandising, Oct. 1981, p. 28 Shuffleboard table, right side.
- Play Meter, Jan. 1989, p. 22 Shuffleboard Table, bottom.
- Royal Shuffleboard, American Shuffleboard Co., Union City, N.J., Brochure, undated.
- The Eagle Shuffleboard, American Shuffleboard Co., Union City, N.J., Brochure, undated.

Royal Cushion, American Shuffleboard Co., Union City, N.J., Brochure undated.
 Royal 9 Foot Cushion Shuffleboard, American Shuffleboard Co., Union City, N.J., Brochure, undated.
 Playfair Shuffleboard, Playfair Shuffleboard Co., Inc., Ft. Wayne, In., Brochure, undated.
 Custom-Designed Shuffleboard, Playfair Shuffleboard Co., Inc., Ft. Wayne, In., Replay Magazine, Dec., 1989, p. 214.
 Classic Shuffleboard, Classic Wood Products, Columbia City, In., Replay Magazine, Dec., 1989, p. 212.
 Cushion Shuffleboard, American Shuffleboard Co., Union City, N.J., Replay Magazine, Dec., 1989, p. 212.
 Royal Longboard, American Shuffleboard Co., Union City, N.J., Replay Magazine, Dec., 1989, p. 212.
 Classic III Shuffleboard, Classic Wood Products, Inc., Columbia City, In., Brochure, undated.

Primary Examiner—Bernard Ansher
Assistant Examiner—Sandra Morris
Attorney, Agent, or Firm—Baker & Daniels

[57] **CLAIM**
 The ornamental design for a shuffleboard cabinet, as shown and described.

DESCRIPTION
 FIG. 1 is a perspective view of a shuffleboard cabinet, showing my new design;
 FIG. 2 is a reduced top plan view thereof;
 FIG. 3 is a reduced side elevational view thereof;
 FIG. 4 is a reduced bottom plan view thereof; and,
 FIG. 5 is a reduced end elevational view thereof.



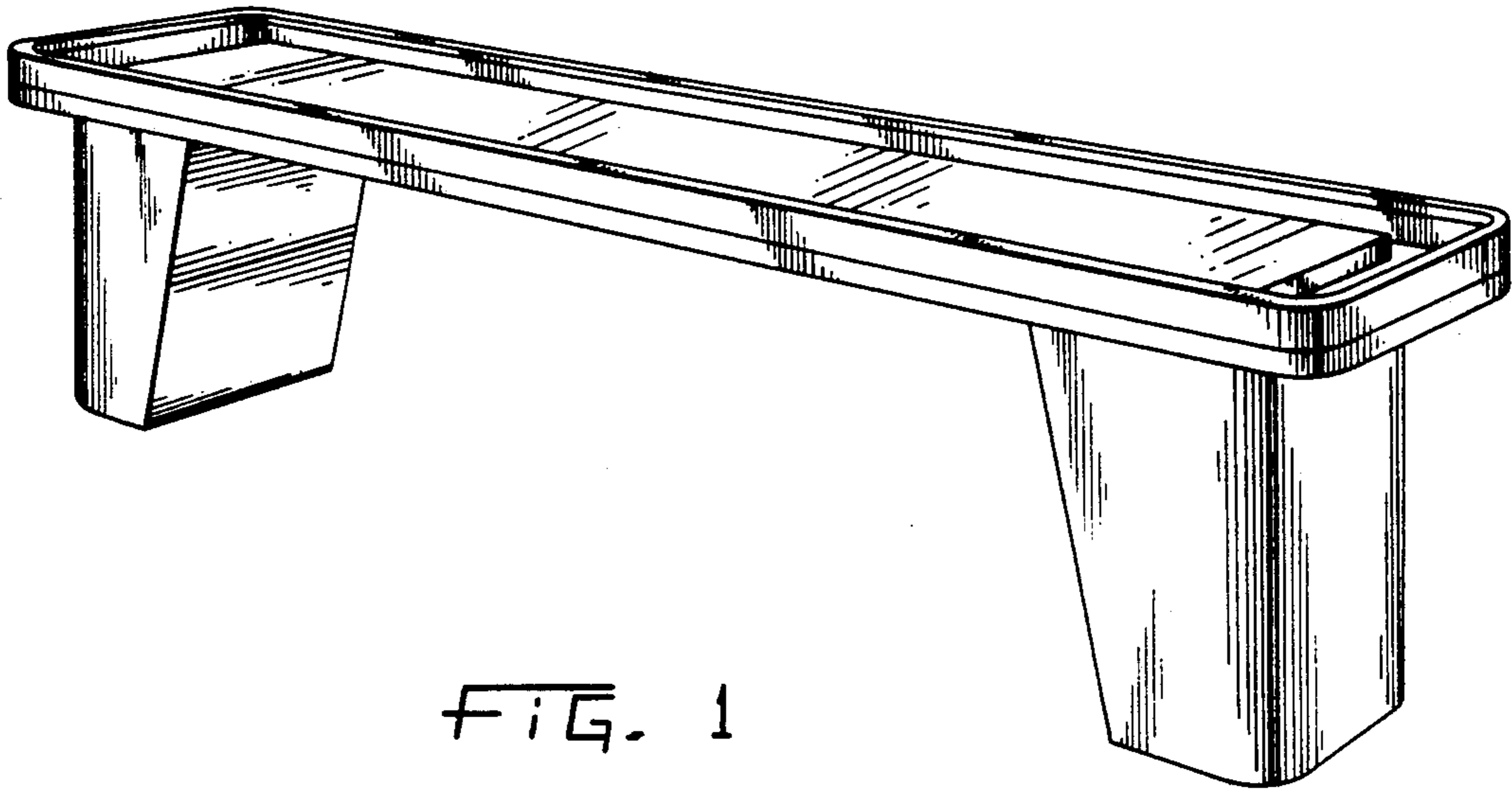


FIG. 1

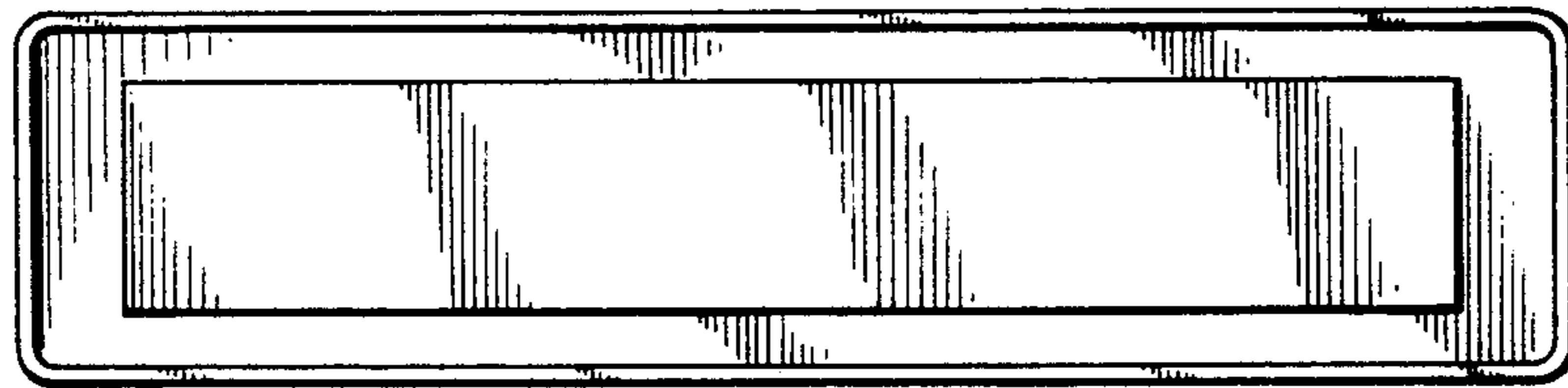


FIG. 2

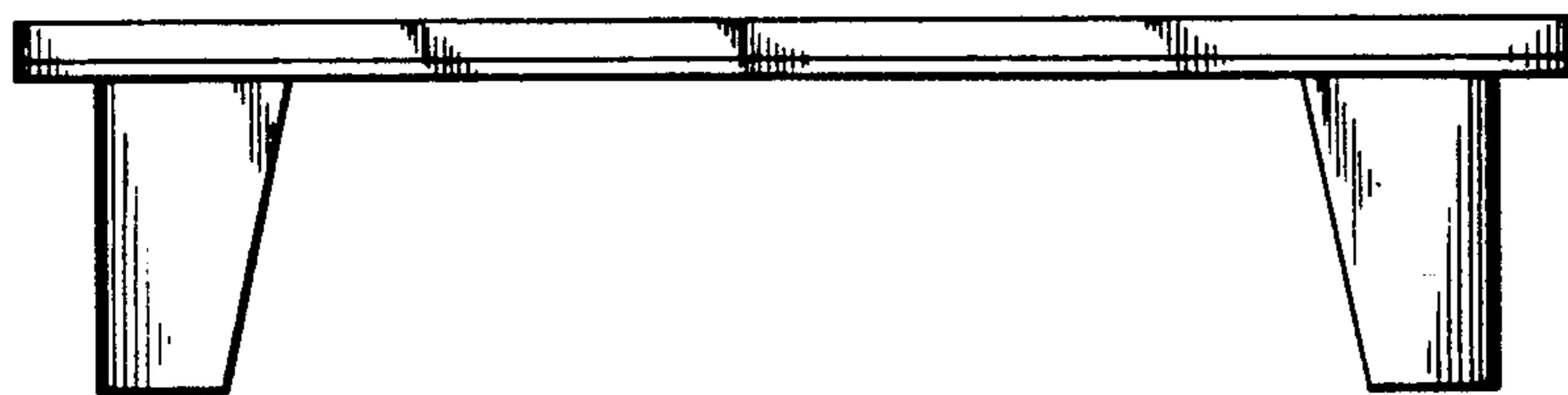


FIG. 3

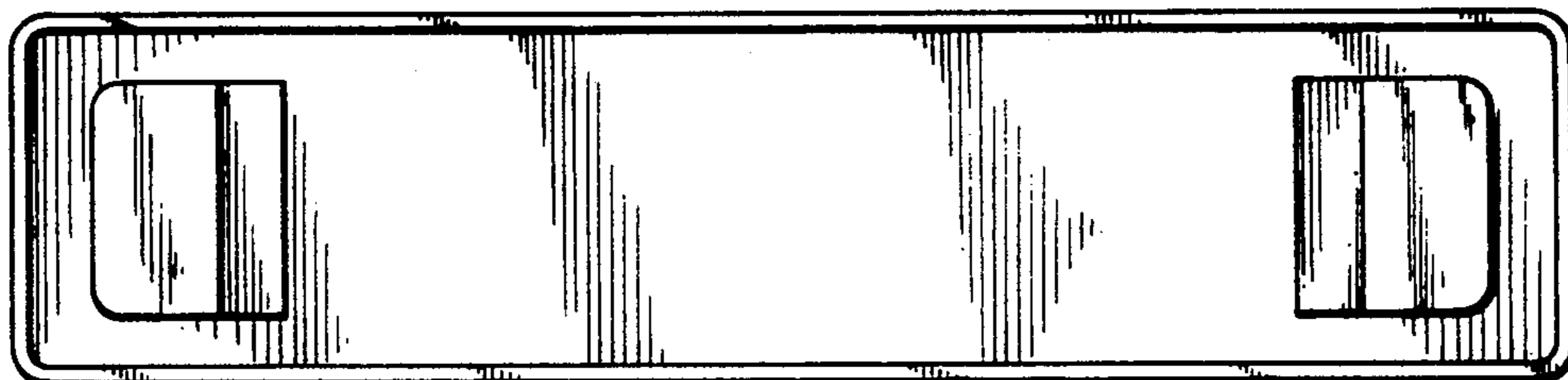


FIG. 4

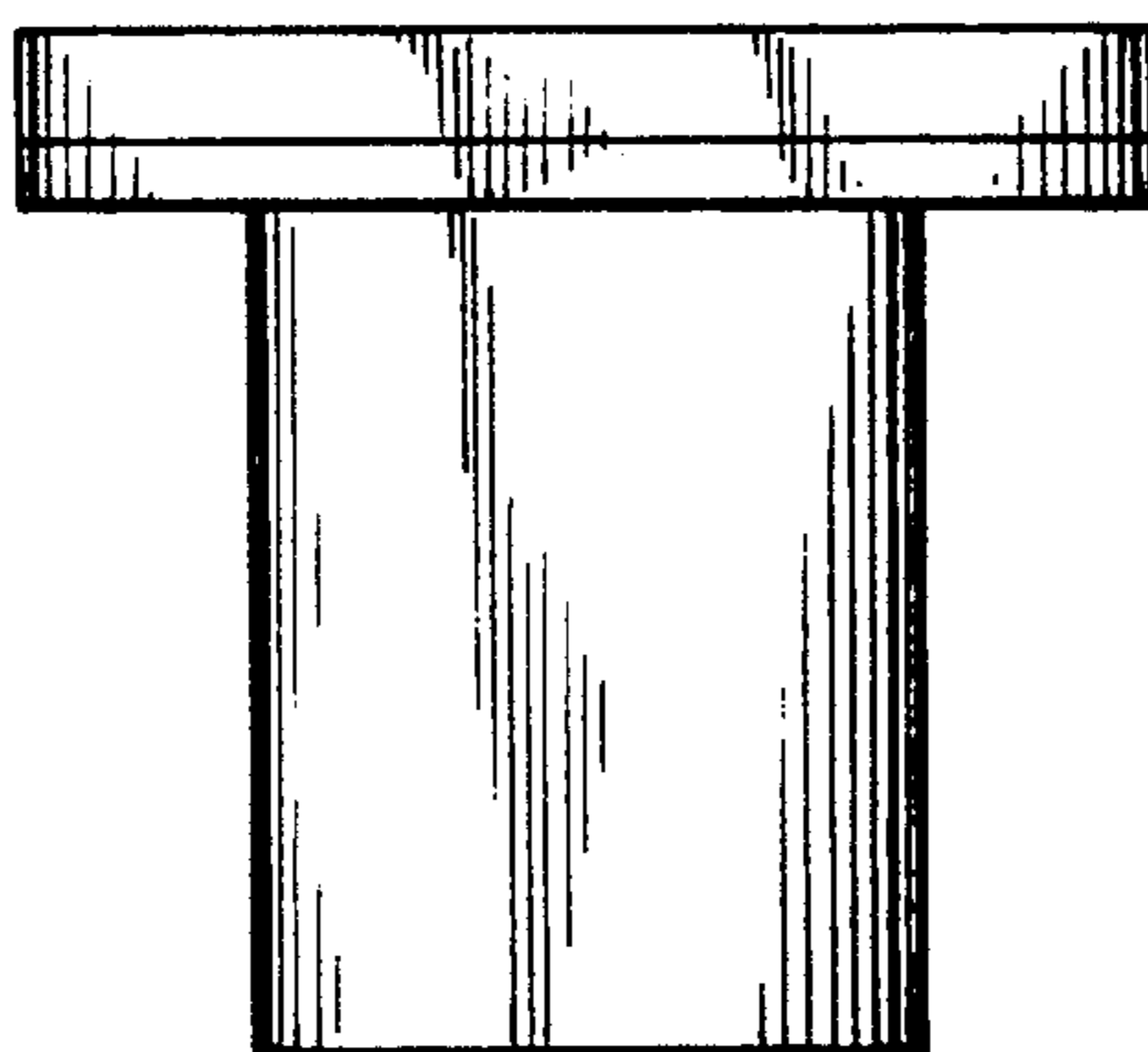


FIG. 5