



US00D330564S

United States Patent [19]

[11] Patent Number: **Des. 330,564**

Kohno et al.

[45] Date of Patent: **** Oct. 27, 1992**

[54] **DISPOSABLE CAMERA**

D. 323,843	2/1992	Arai	D16/208
D. 325,741	4/1992	Arai	D16/208
4,801,957	1/1989	Vandemoere	354/145.1

[75] Inventors: **Atsuo Kohno; Takuya Arai; Kimiaki Nakada**, all of Tokyo, Japan

OTHER PUBLICATIONS

[73] Assignee: **Fuji Photo Film Co., Ltd.**, Kanagawa, Japan

Popular Photography, Dec. 1988 p. 134 (Fling 35, Kodak Camera).

[**] Term: **14 Years**

Primary Examiner—Bernard Ansher
Assistant Examiner—Adir Aronovich
Attorney, Agent, or Firm—Young & Thompson

[21] Appl. No.: **561,668**

[57] CLAIM

[22] Filed: **Aug. 2, 1990**

The ornamental design for a disposable camera, as shown.

[52] U.S. Cl. **D16/208**

[58] Field of Search **D9/414, 415, 432; D16/200, 201, 202, 203, 204, 208, 217, 218; 354/75, 76, 145.1, 288**

DESCRIPTION

[56] References Cited

U.S. PATENT DOCUMENTS

D. 313,183	12/1990	Arai	D9/432
D. 313,937	1/1991	Arai	D9/432
D. 315,916	4/1991	Leonard et al.	D16/218
D. 321,705	11/1991	Ohmura et al.	D16/208
D. 323,842	2/1992	Arai	D16/208

FIG. 1 is a top front perspective view of a disposable camera showing our new design;
FIG. 2 is a front elevational view thereof;
FIG. 3 is a rear elevational view thereof;
FIG. 4 is a top plan view thereof;
FIG. 5 is a bottom plan view thereof;
FIG. 6 is a left side elevational view thereof; and,
FIG. 7 is a right side elevational view thereof.

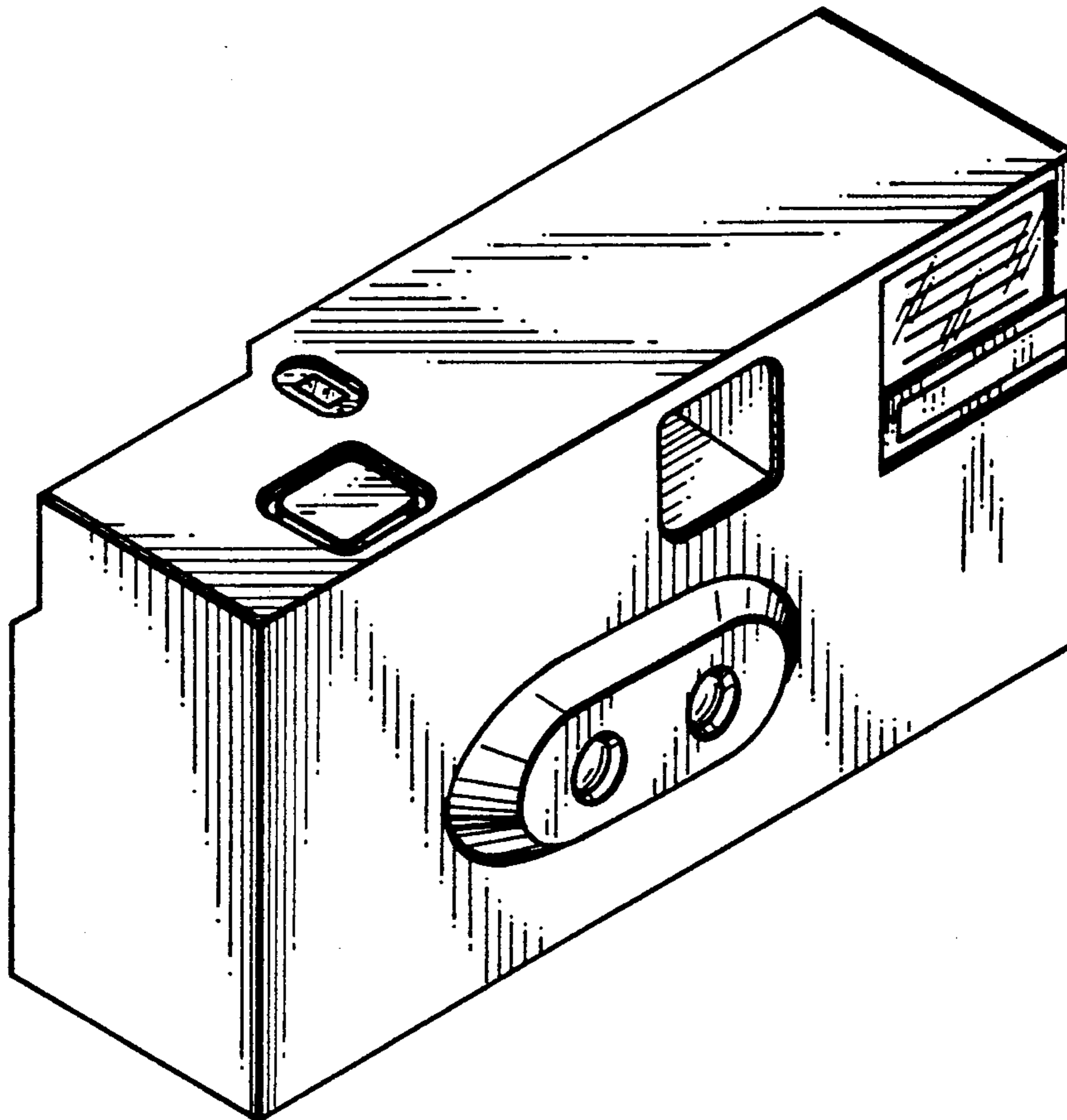


FIG. 1

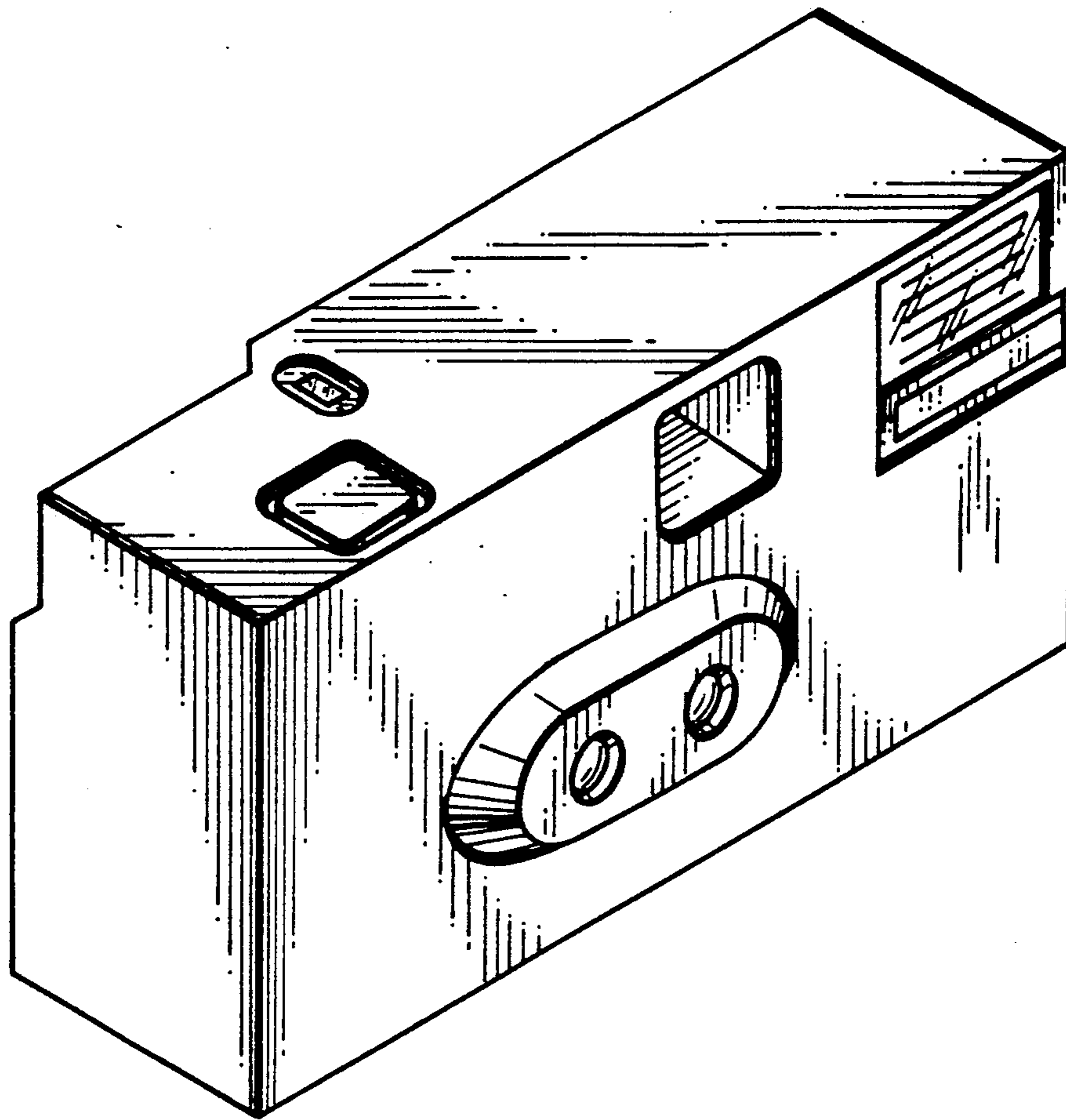


FIG. 2

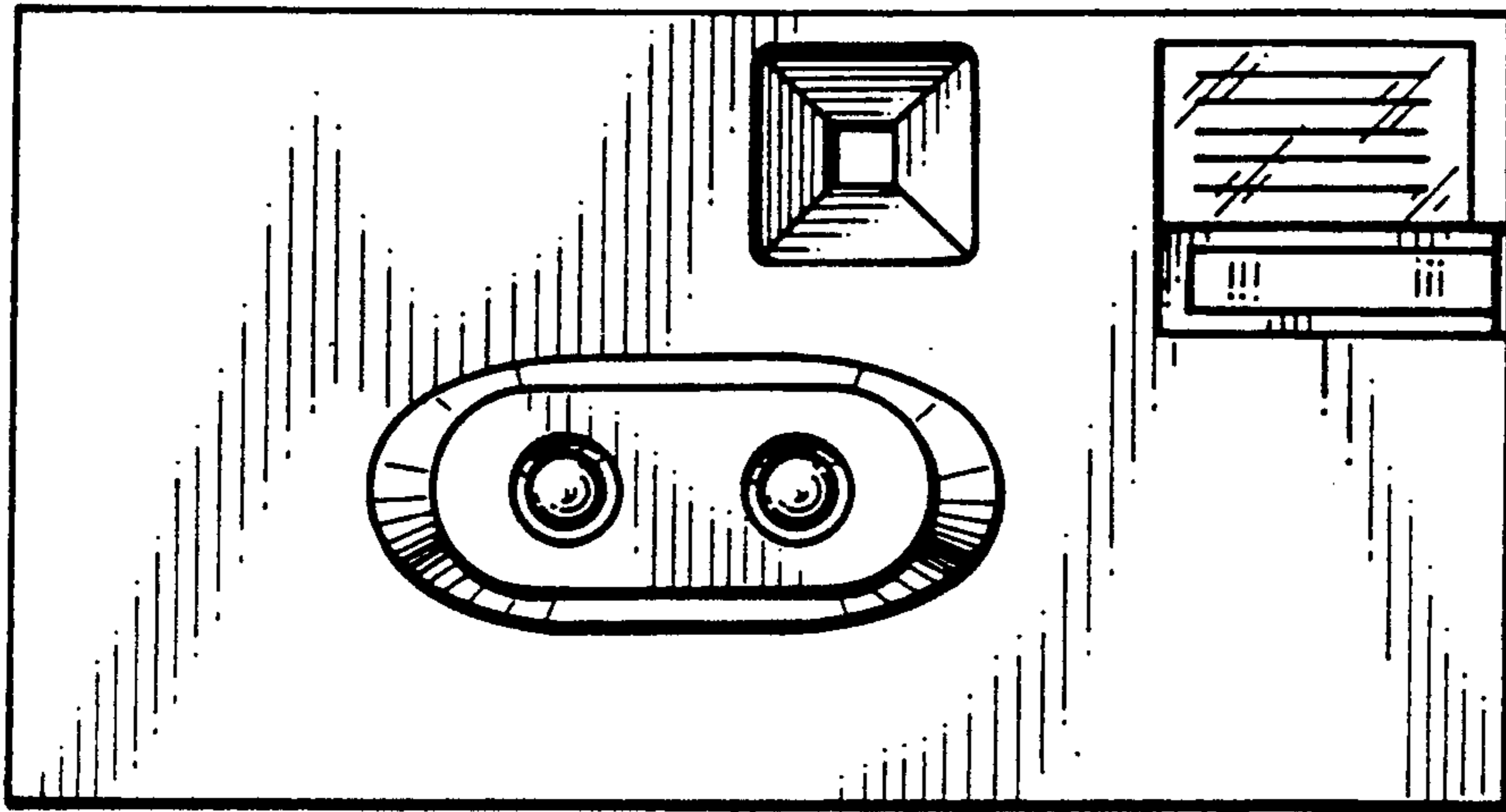


FIG. 3

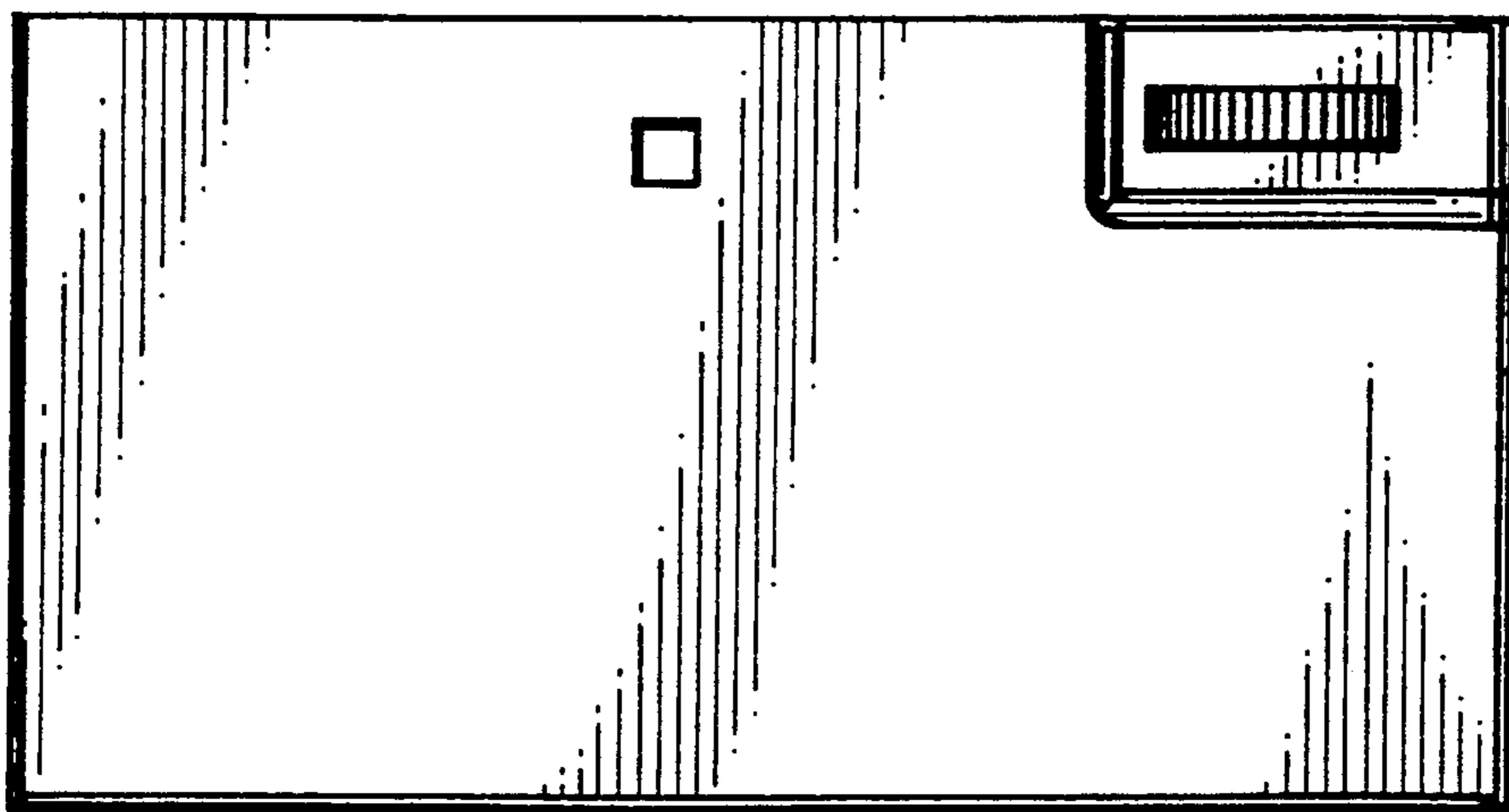


FIG. 4

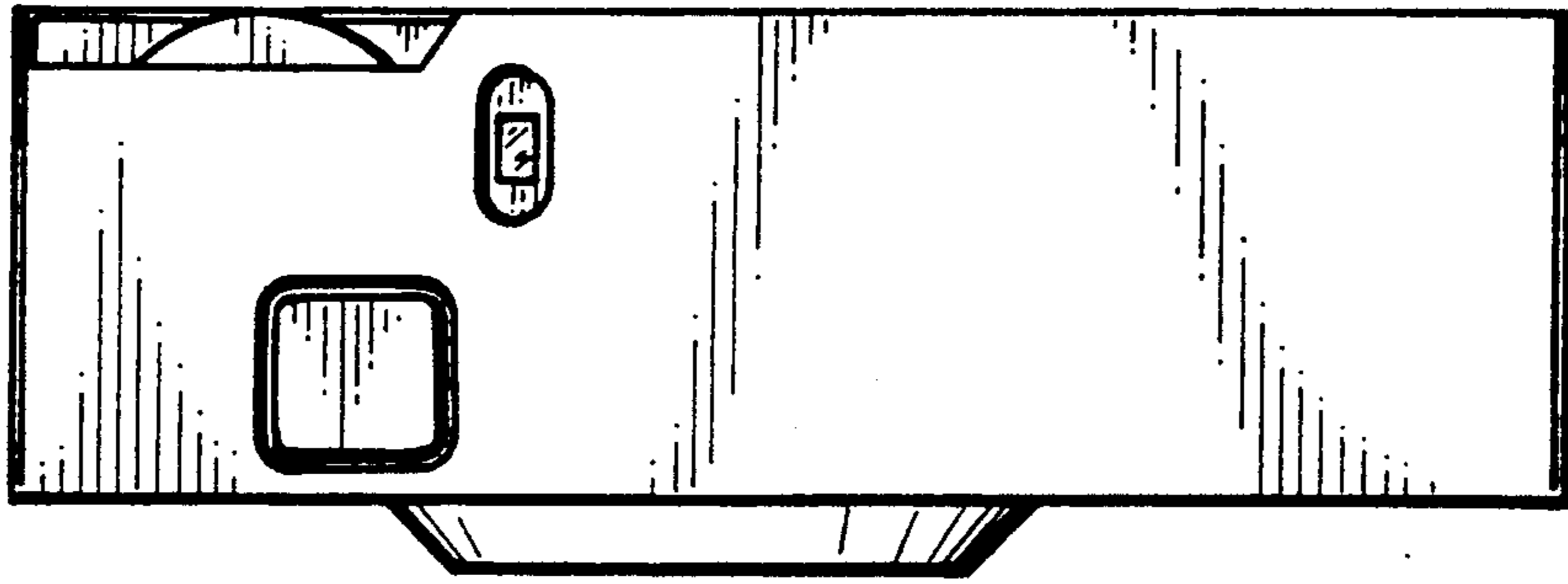


FIG. 5

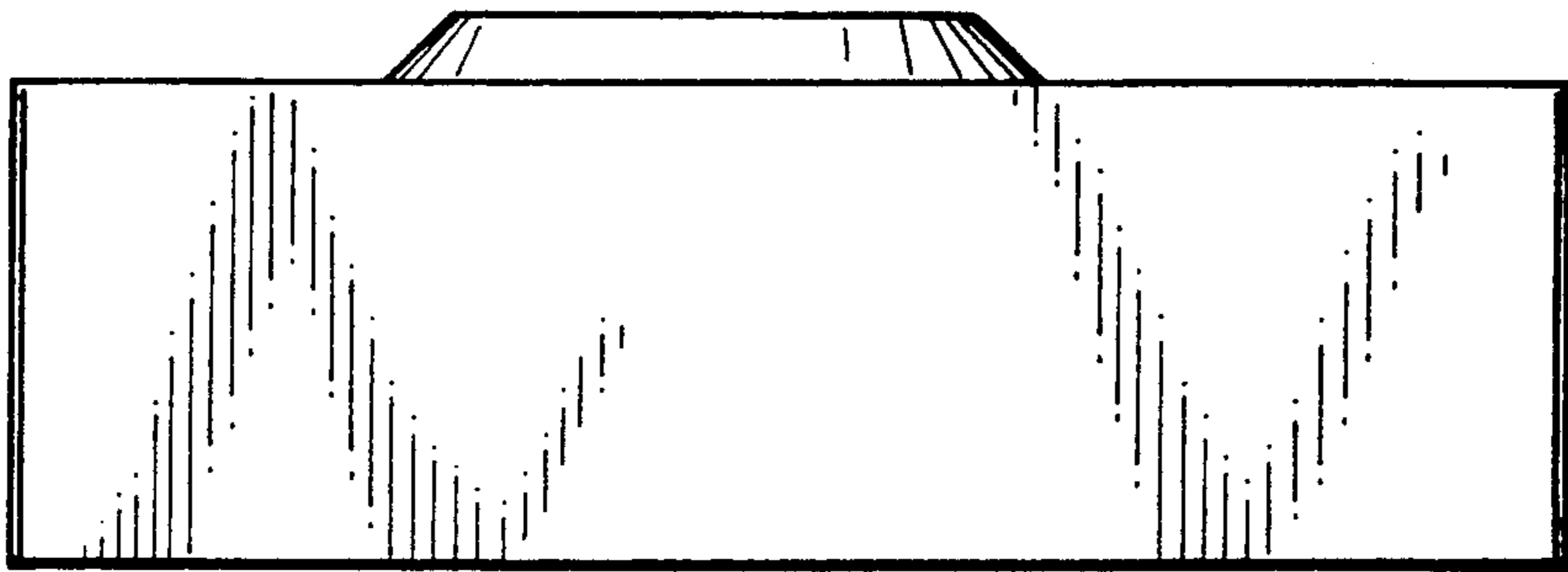


FIG. 6

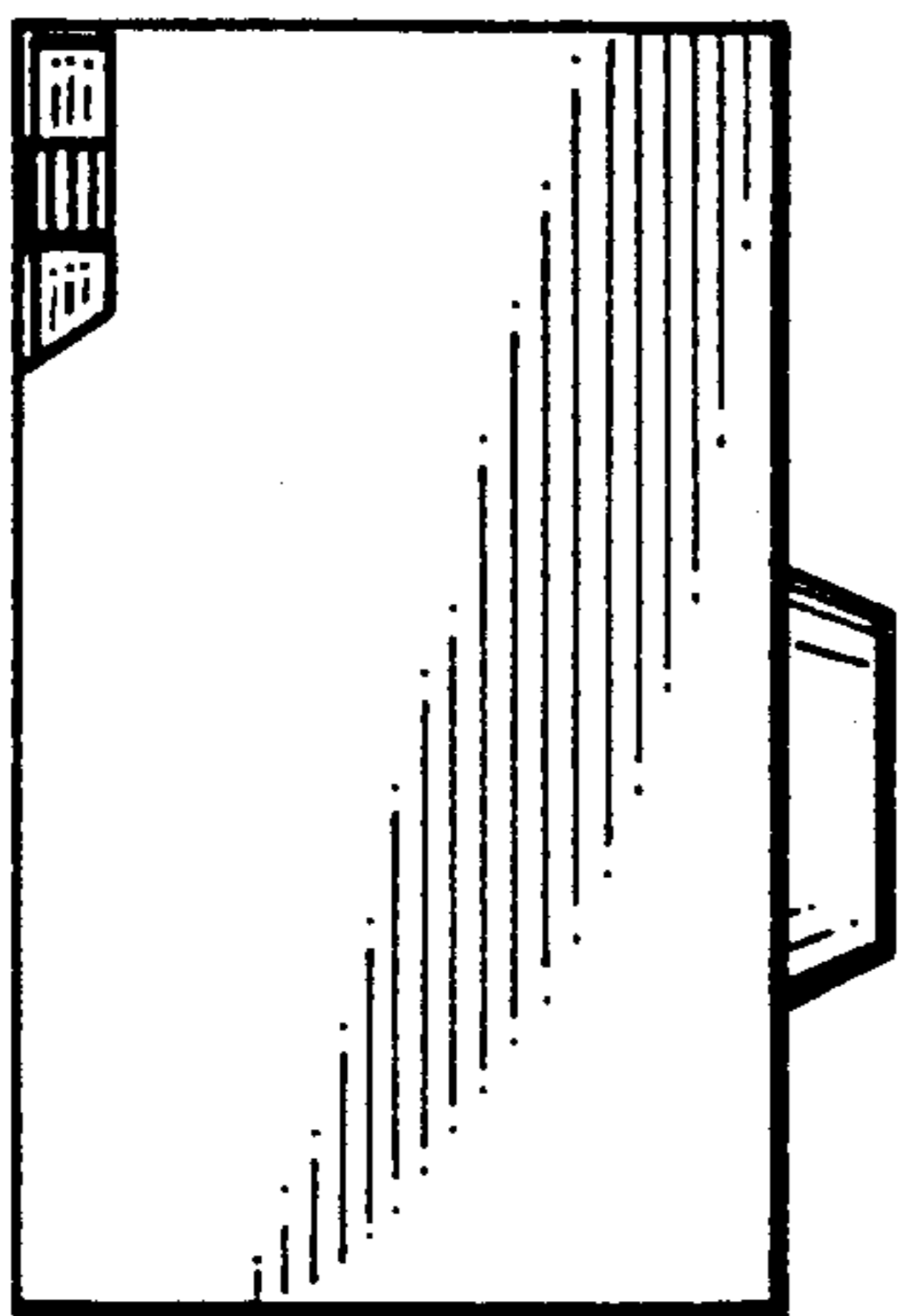


FIG. 7

