



US00D330563S

# United States Patent [19]

[11] Patent Number: **Des. 330,563**

Kohno et al.

[45] Date of Patent: **\*\* Oct. 27, 1992**

[54] **DISPOSABLE CAMERA**

*Attorney, Agent, or Firm—Young & Thompson*

[75] Inventors: **Atsuo Kohno; Takuya Arai; Kimiaki Nakada**, all of Tokyo, Japan

[57] **CLAIM**

The ornamental design for a disposable camera, as shown and described.

[73] Assignee: **Fuji Photo Film Co., Ltd.**, Kanagawa, Japan

### DESCRIPTION

[\*\*] Term: **14 Years**

FIG. 1 is a top front perspective view of a disposable camera showing our new design;

[21] Appl. No.: **561,669**

FIG. 2 is a front elevational view thereof;

[22] Filed: **Aug. 2, 1990**

FIG. 3 is a rear elevational view thereof;

[52] U.S. Cl. .... **D16/208**

FIG. 4 is a top plan view thereof;

[58] Field of Search ..... **D9/414, 415, 432; D16/200, 201, 202, 203, 204, 208, 209, 217, 218; 354/75, 76, 145.1, 288**

FIG. 5 is a bottom plan view thereof;

FIG. 6 is a left side elevational view thereof;

FIG. 7 is a right side elevational view thereof;

[56] **References Cited**

FIG. 8 is a top front perspective view of the second embodiment of the camera disclosed in FIG. 1;

### U.S. PATENT DOCUMENTS

D. 313,183	12/1990	Arai	.....	D9/432
D. 313,937	1/1991	Arai	.....	D9/432
D. 313,938	1/1991	Arai	.....	D9/432
D. 315,916	4/1991	Leonard et al.	.....	D16/218
D. 323,843	2/1992	Arai	.....	D16/208
D. 325,741	4/1992	Arai	.....	D16/208
4,801,957	1/1989	Vandemoere	.....	354/288

FIG. 9 is a front elevational view thereof;

FIG. 10 is a rear elevational view thereof;

FIG. 11 is a top plan view thereof;

FIG. 12 is a bottom plan view thereof;

FIG. 13 is a left side elevational view thereof;

FIG. 14 is a right side elevational view thereof;

FIG. 15 is a top front perspective view of the third embodiment of the camera disclosed in FIG. 1;

FIG. 16 is a front elevational view thereof;

FIG. 17 is a rear elevational view thereof;

FIG. 18 is a top plan view thereof;

FIG. 19 is a bottom plan view thereof;

FIG. 20 is a left side elevational view thereof; and,

FIG. 21 is a right side elevational view thereof.

### OTHER PUBLICATIONS

Popular Photography, Jan. 1987 p. 57 (Nimslo, 3D Camera).

*Primary Examiner—Bernard Ansher*

*Assistant Examiner—Adir Aronovich*

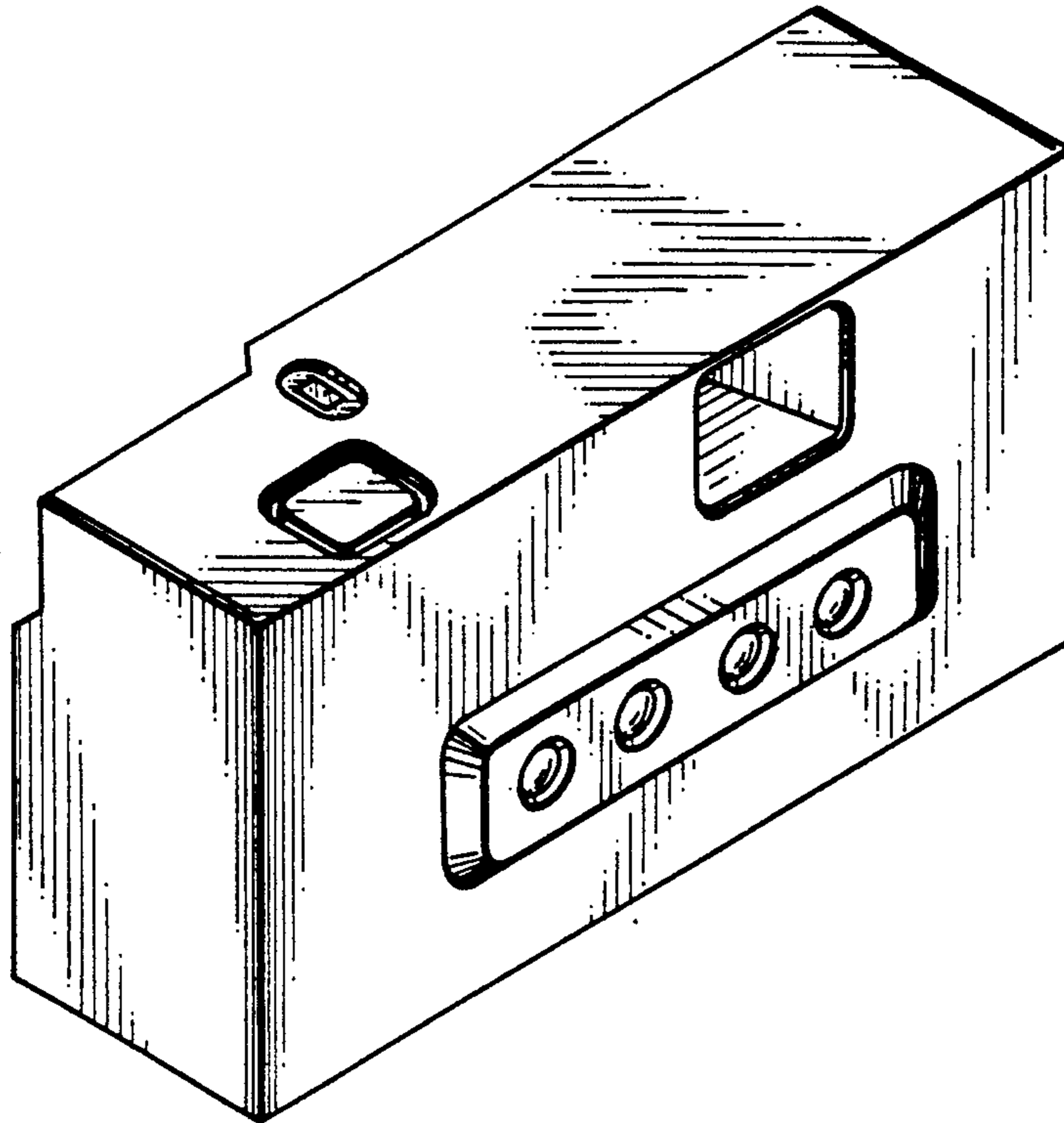


FIG. 1

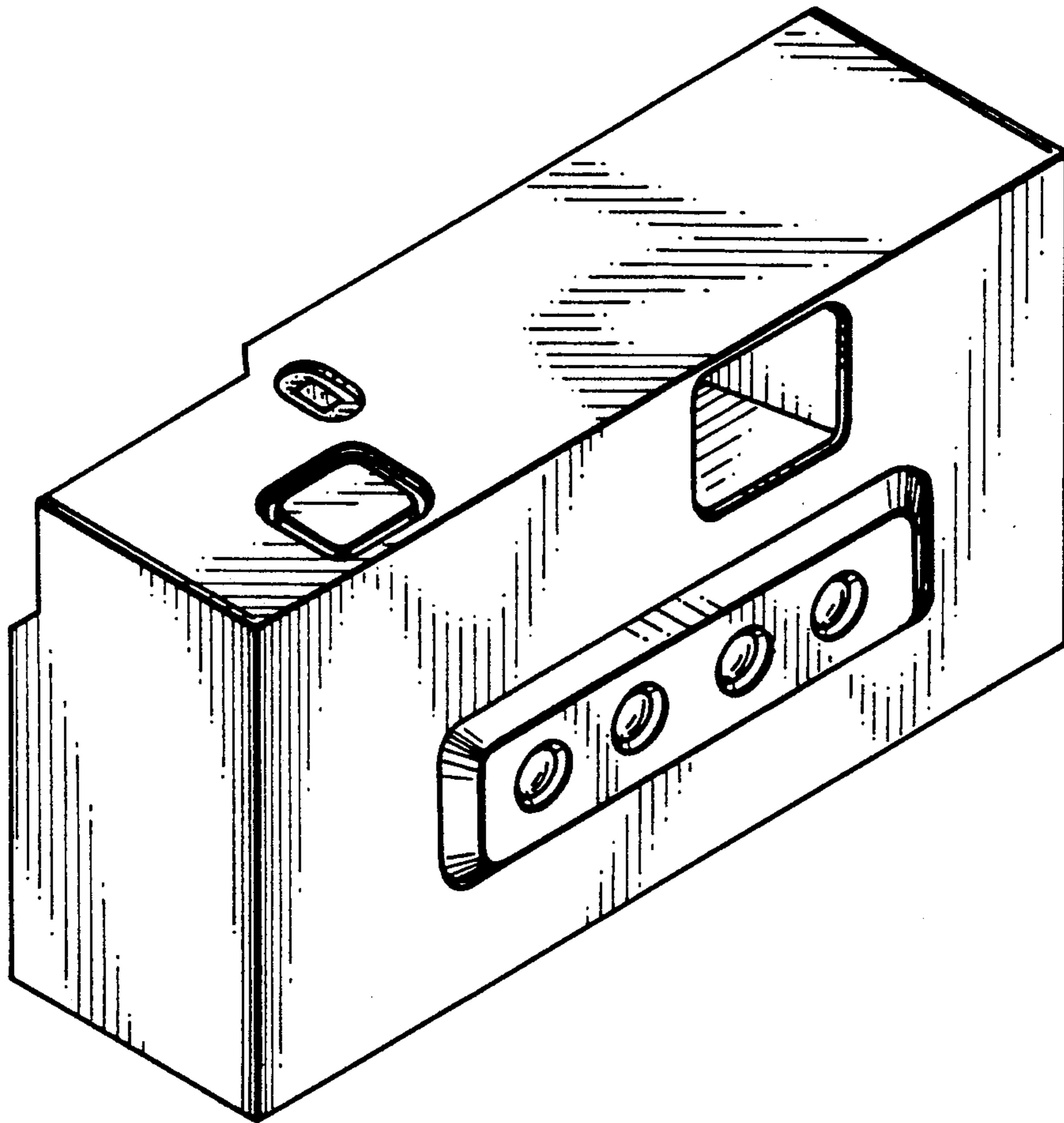


FIG. 2

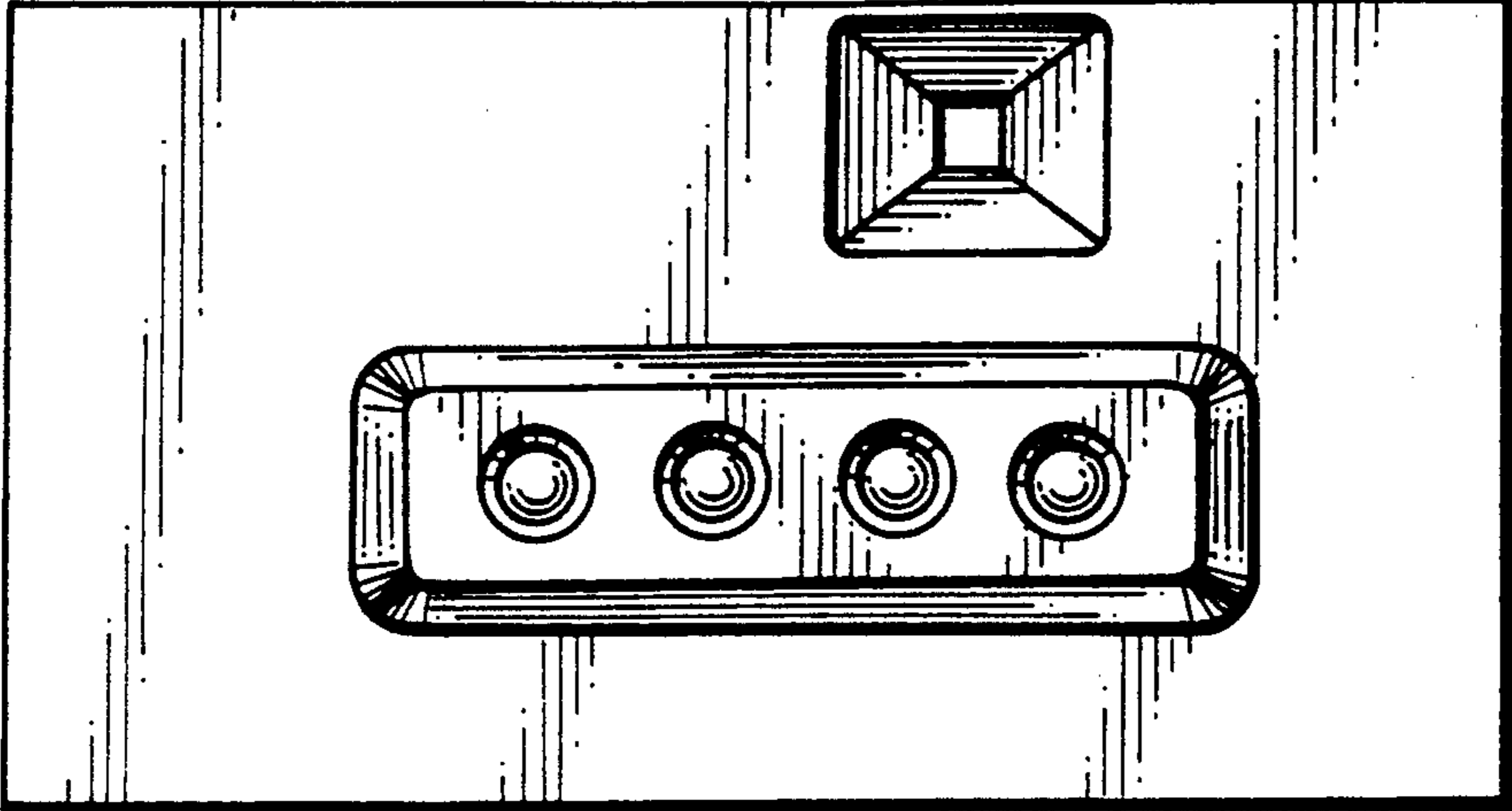


FIG. 3

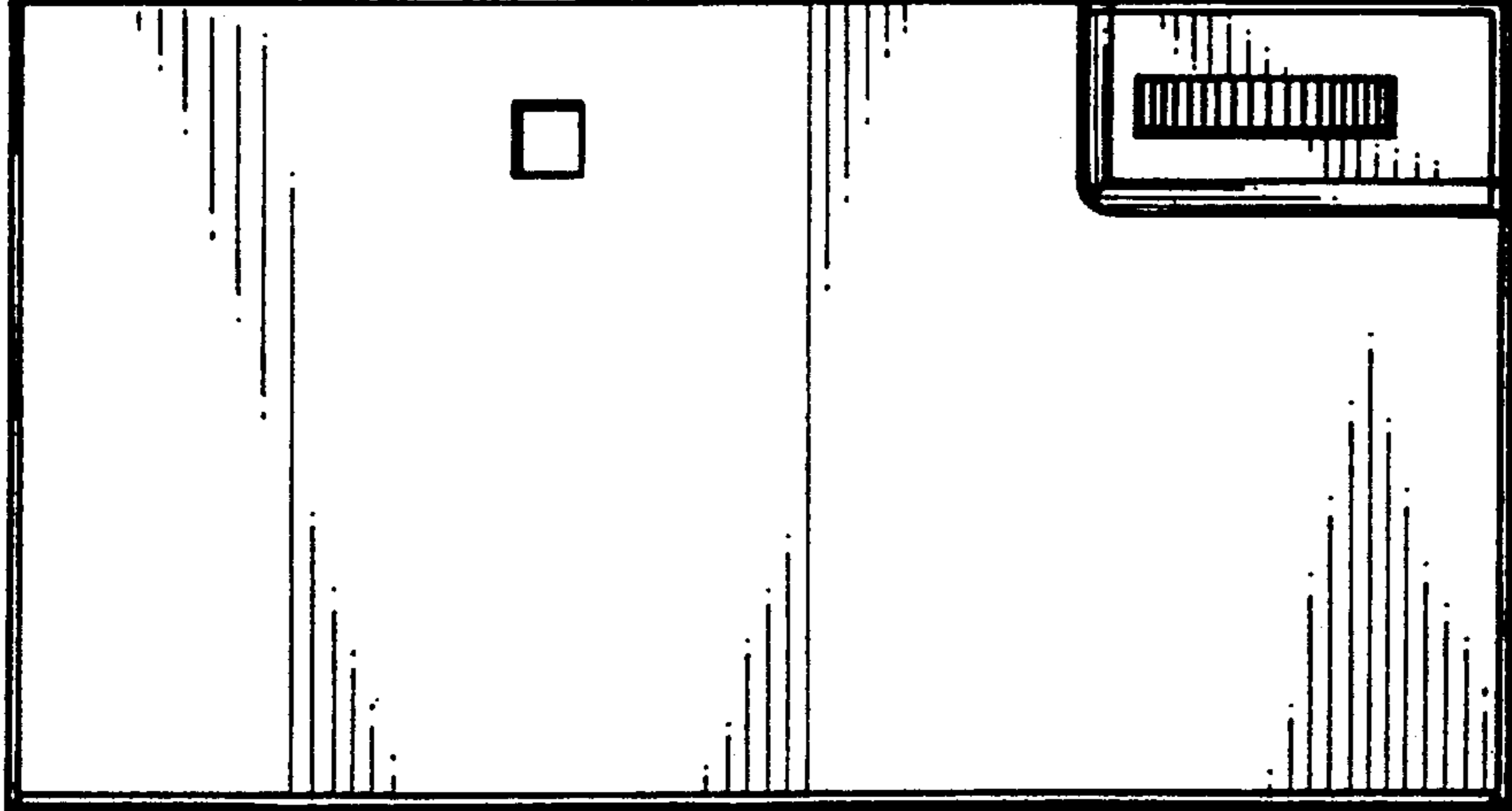


FIG. 4

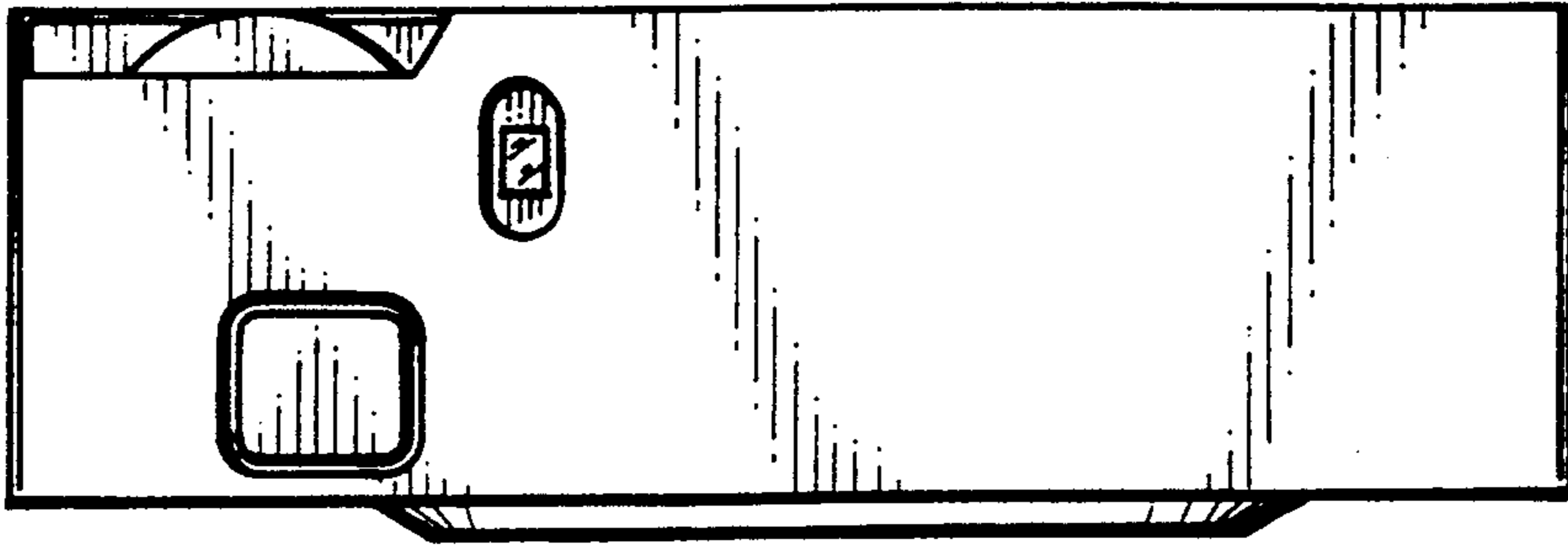


FIG. 5

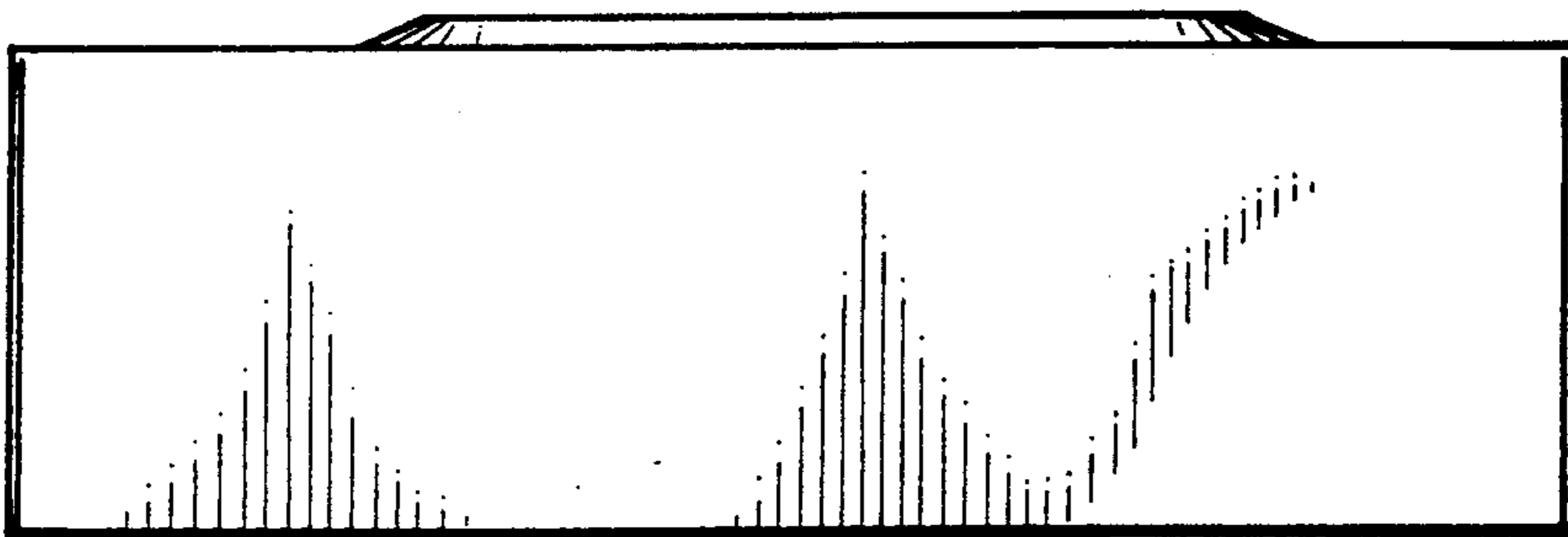


FIG. 6



FIG. 7

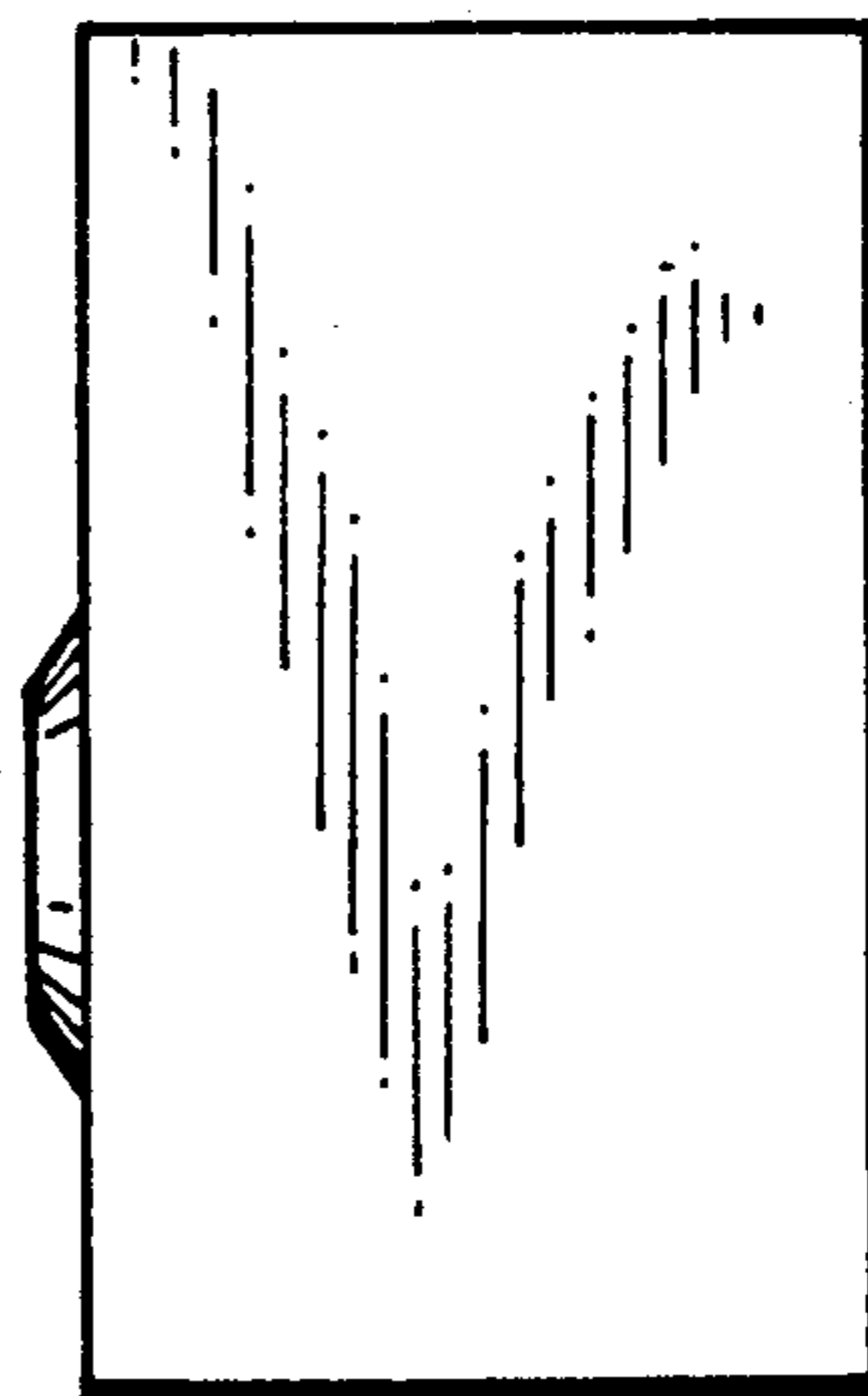


FIG. 8

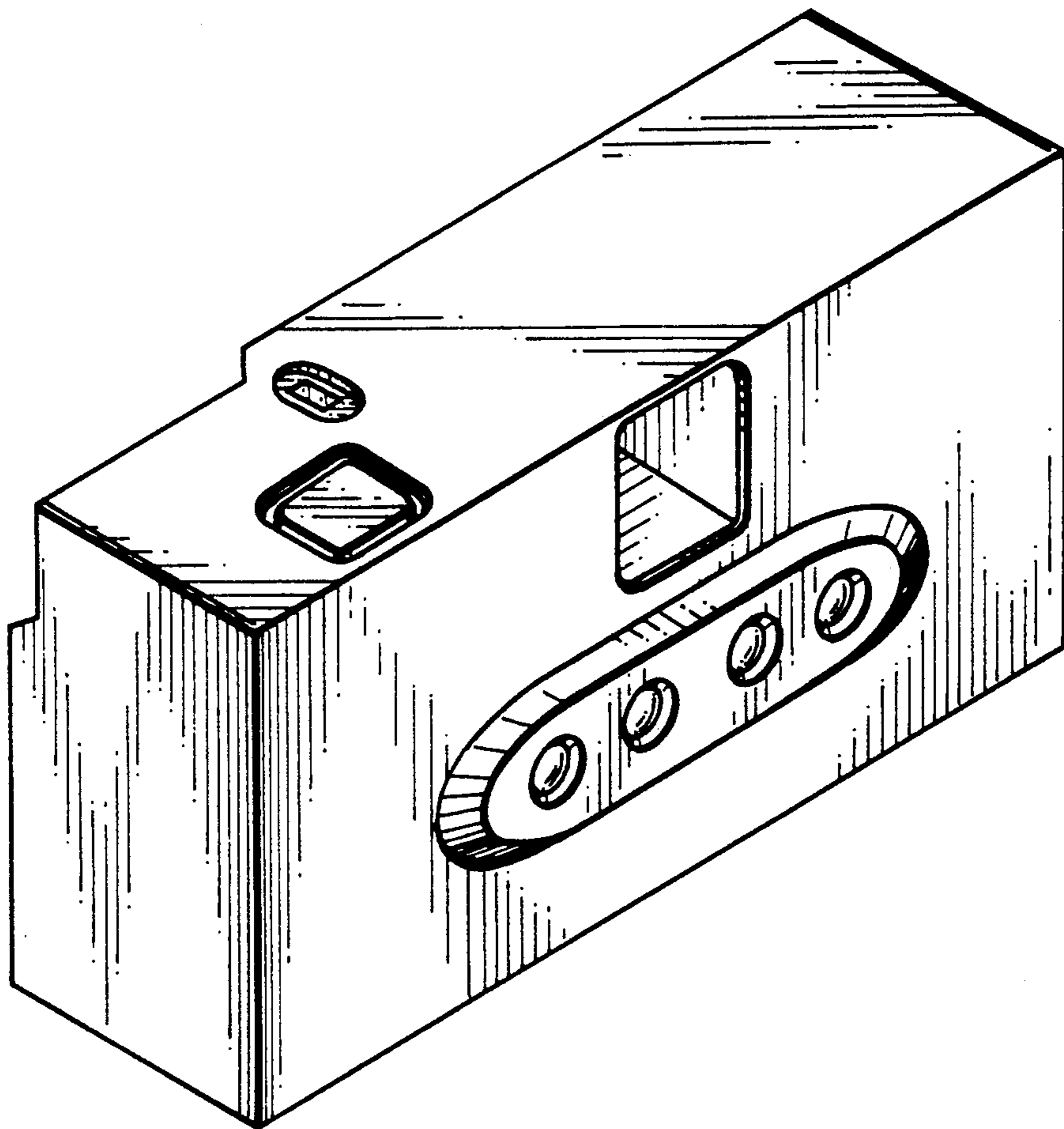


FIG. 9

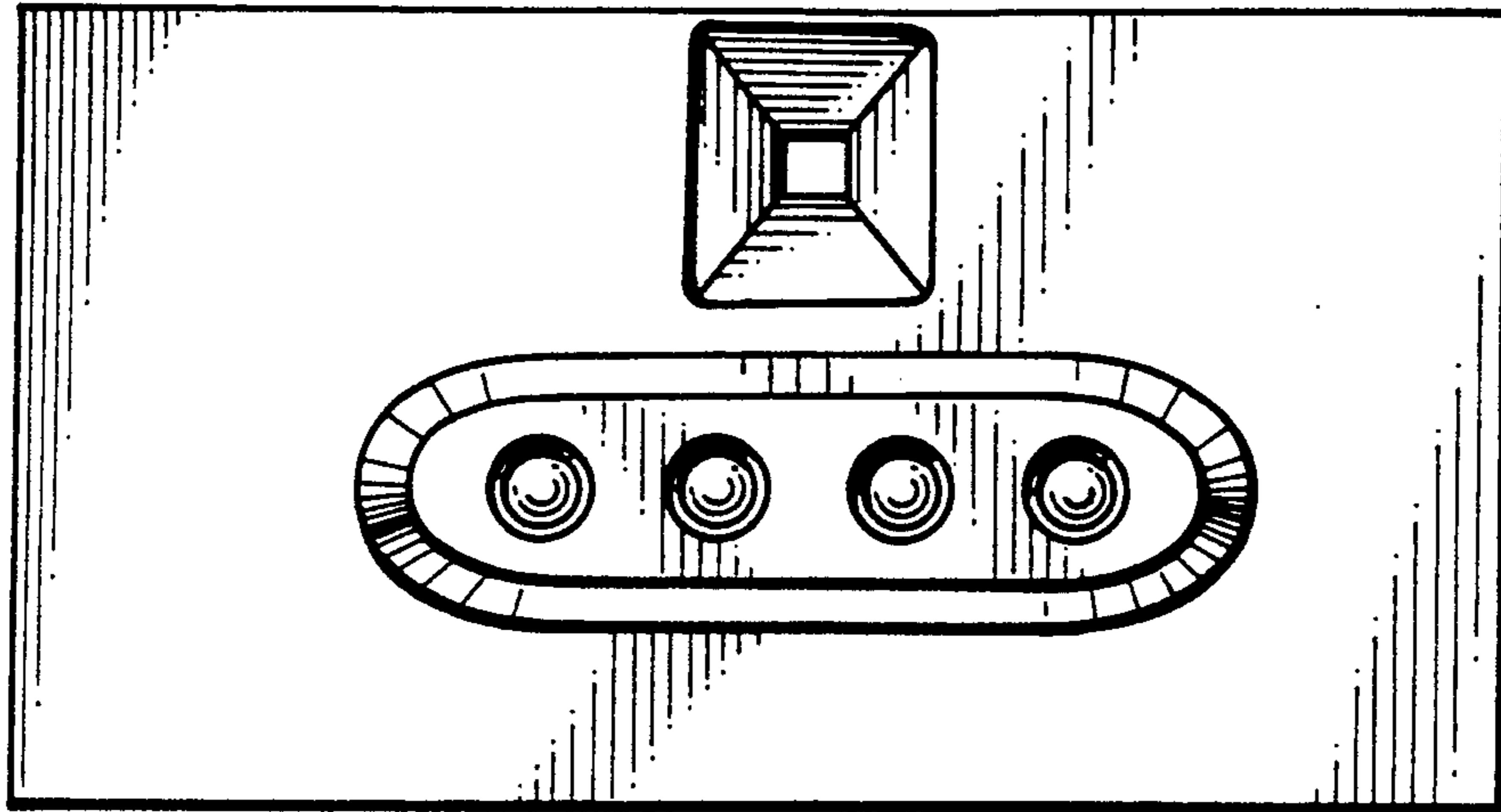


FIG. 10

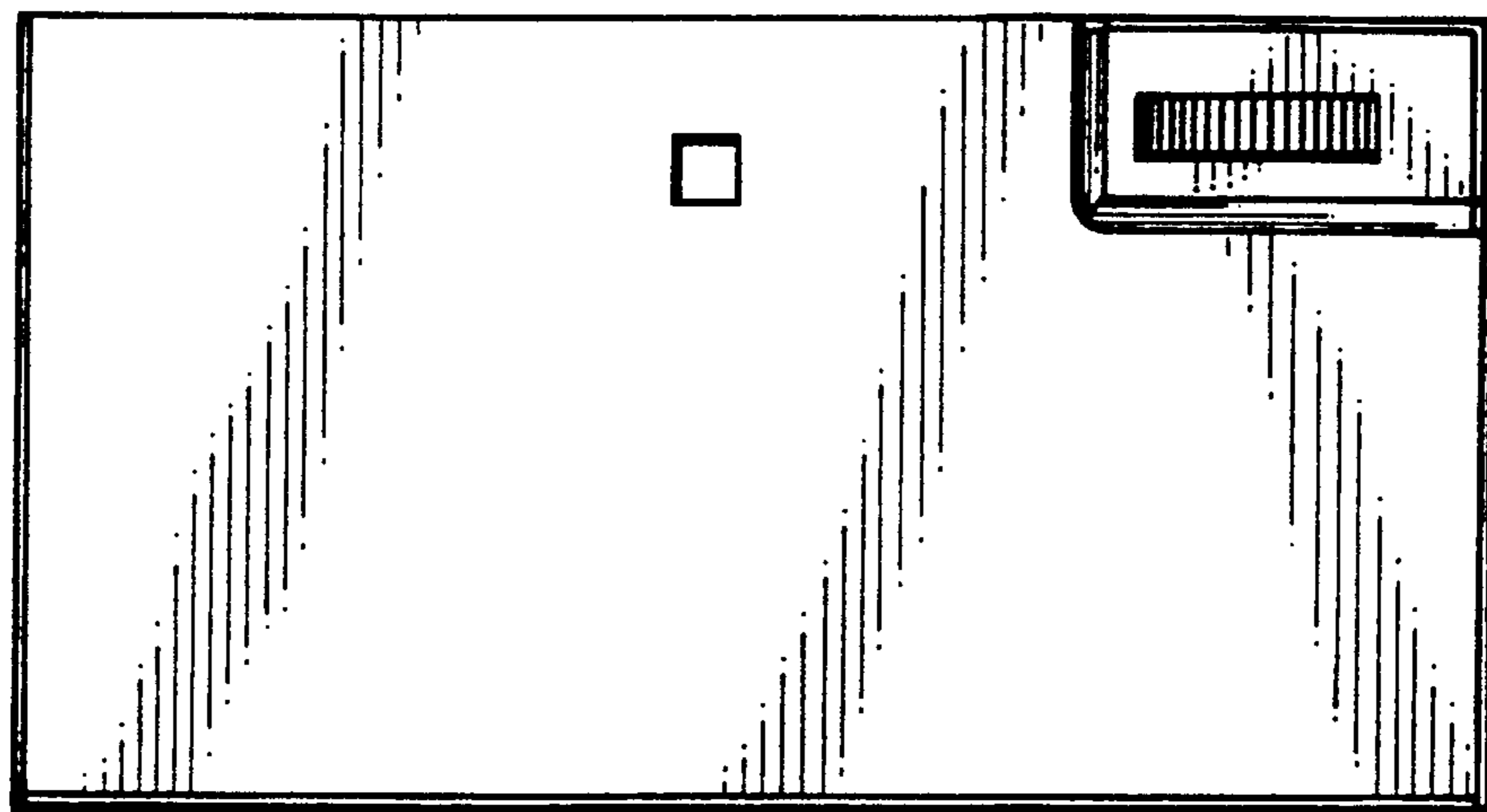


FIG. 11

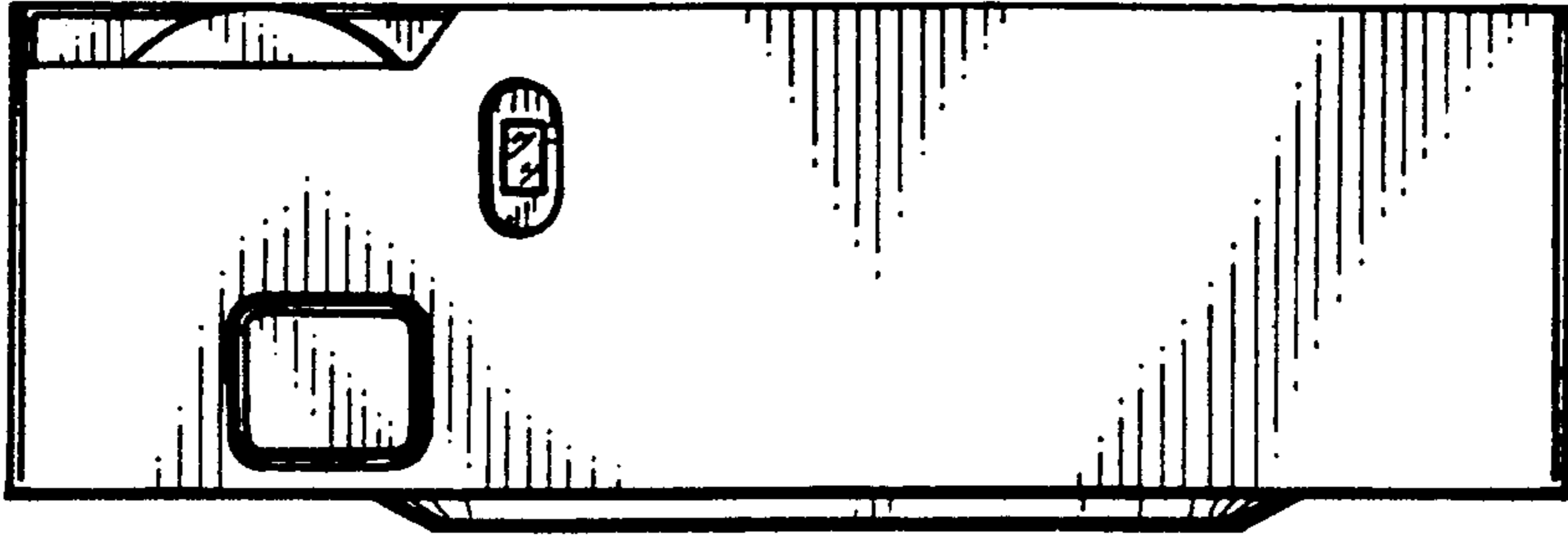


FIG. 12

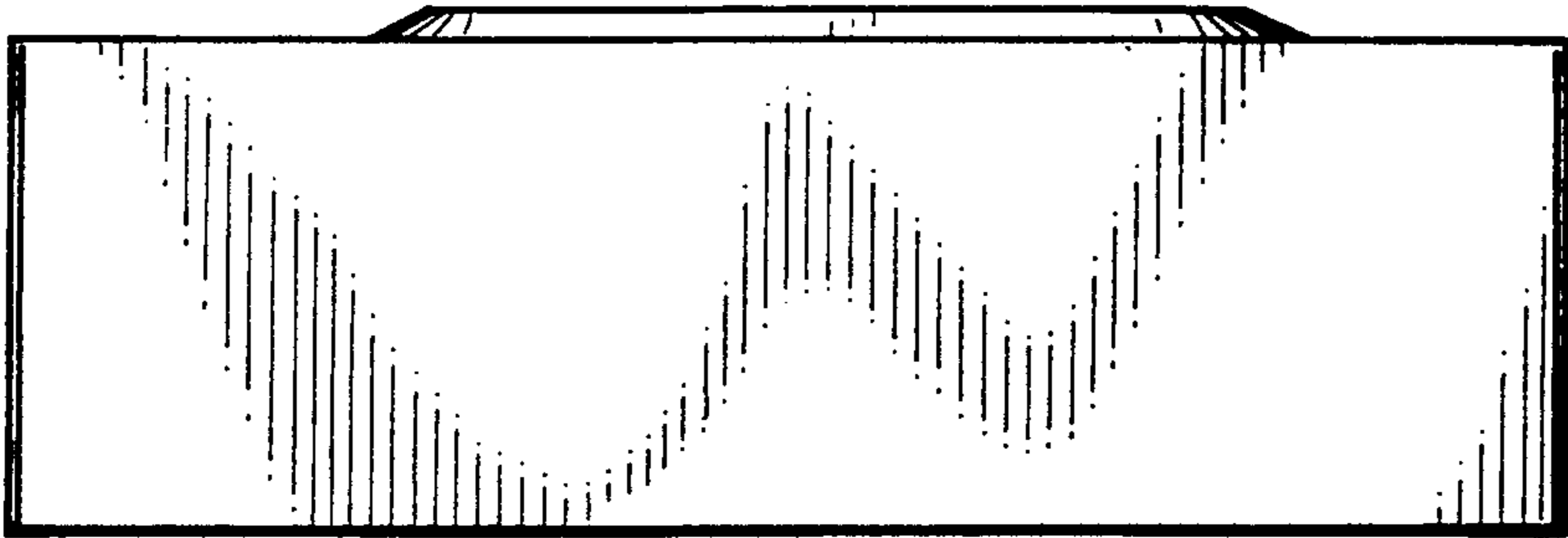


FIG. 13



FIG. 14

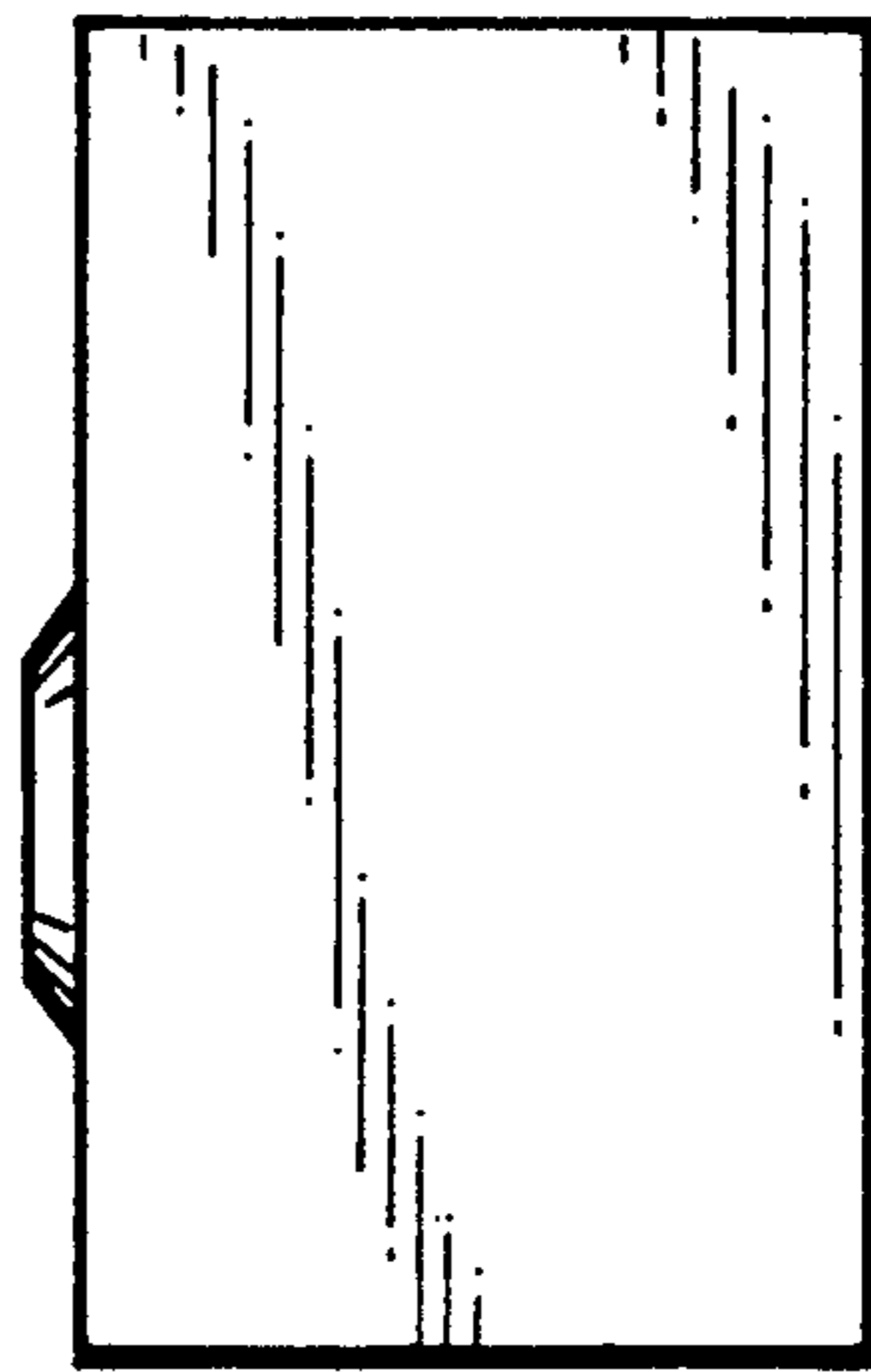


FIG. 15

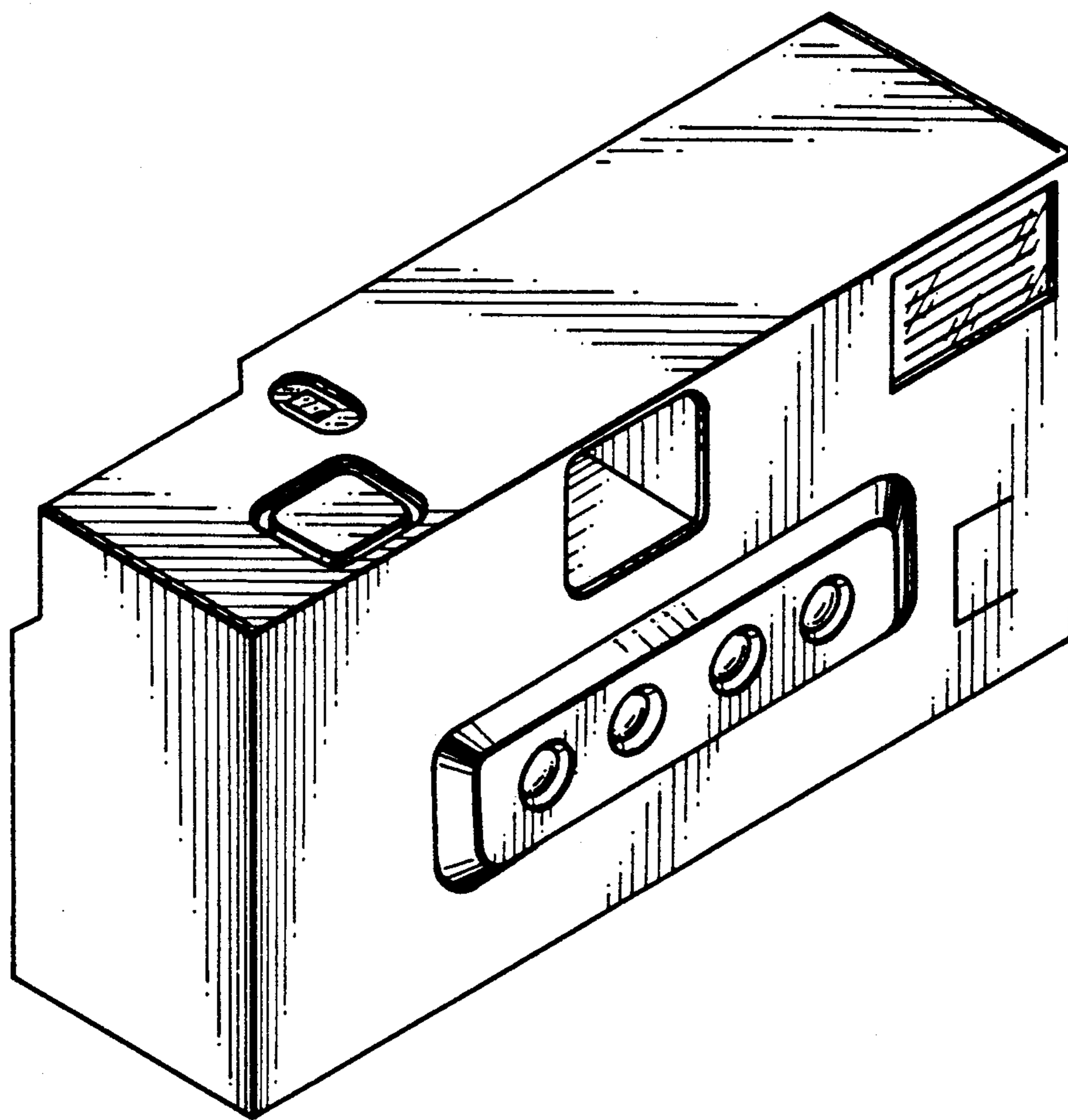




FIG. 16

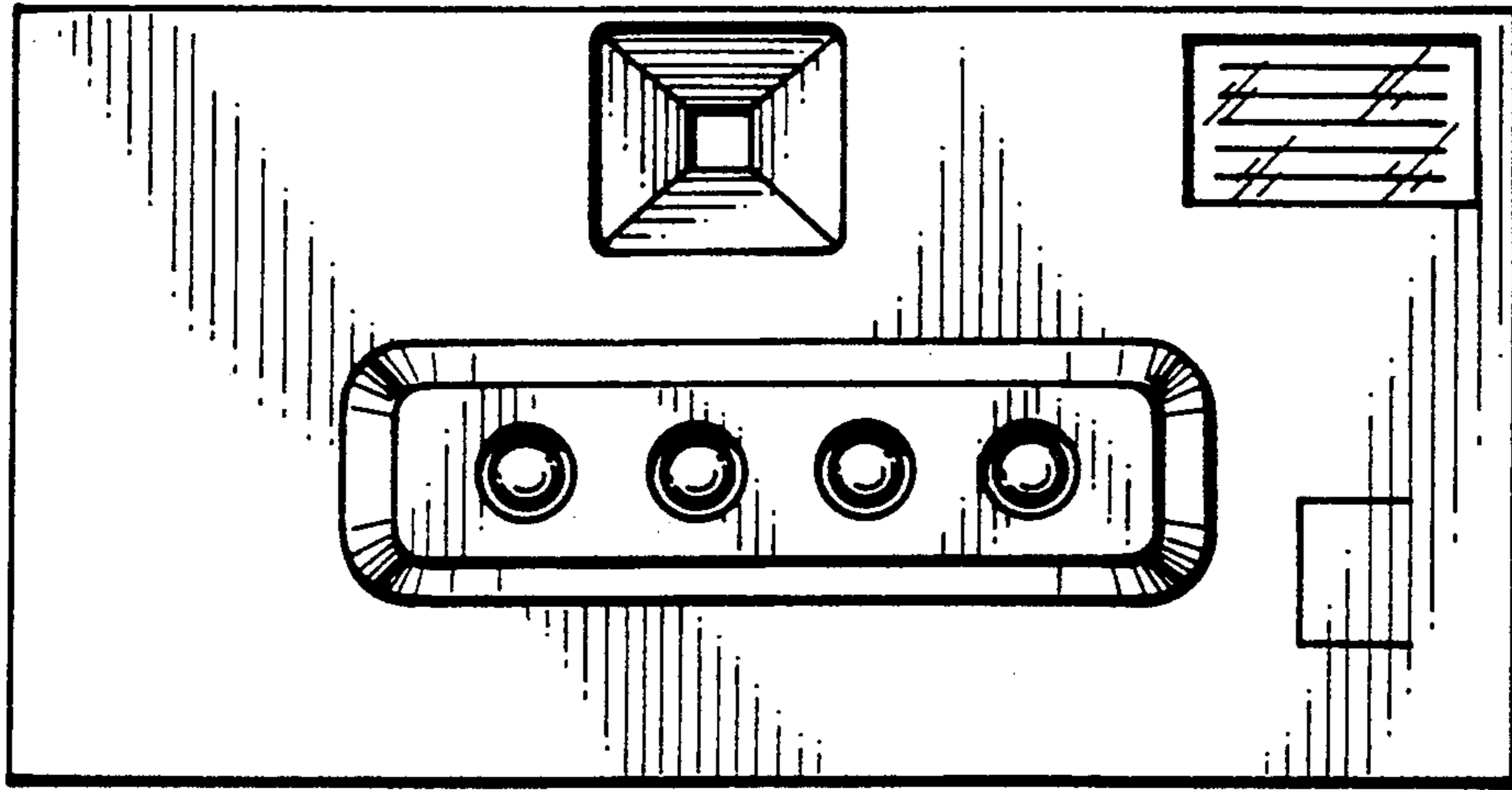


FIG. 17

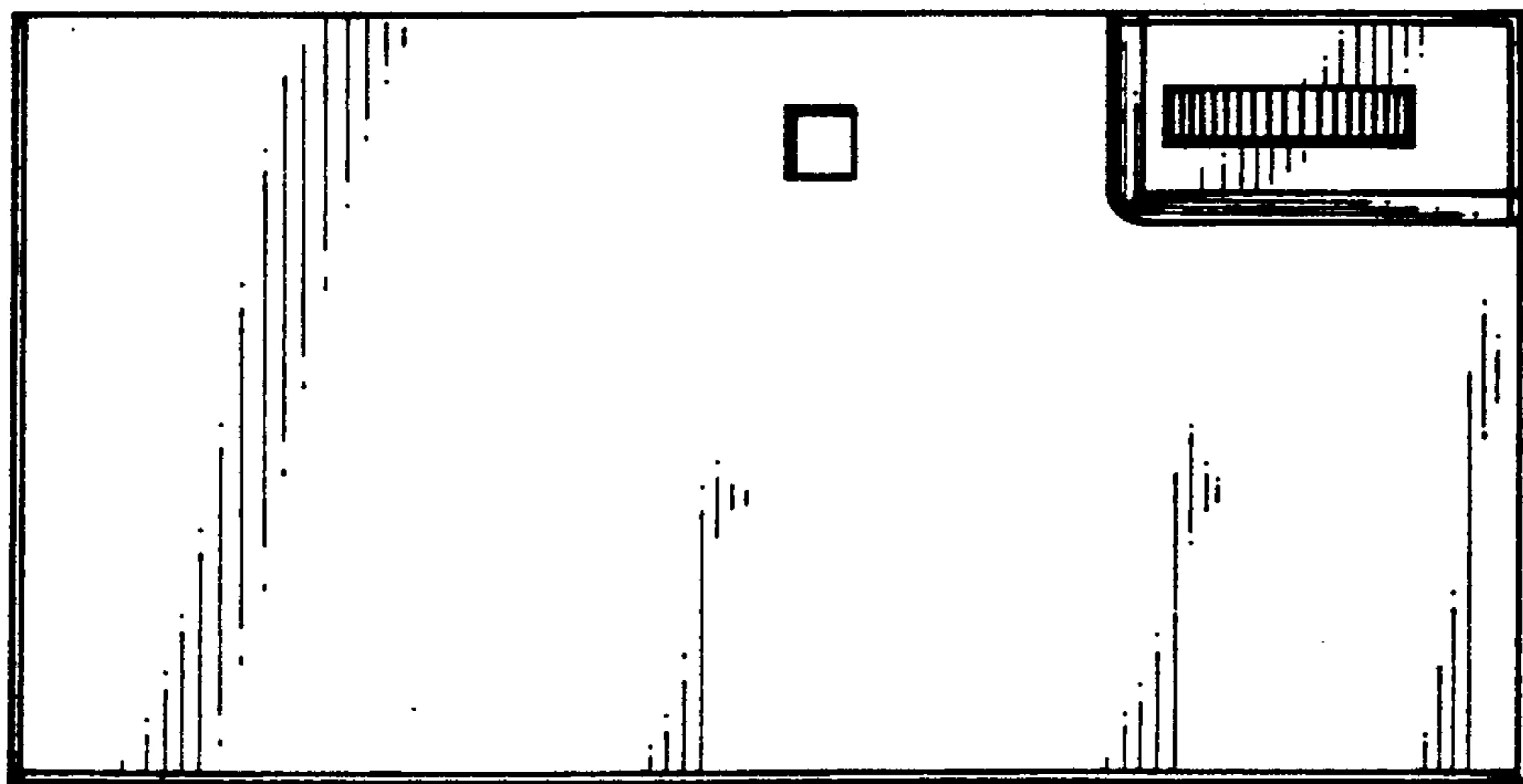


FIG. 18

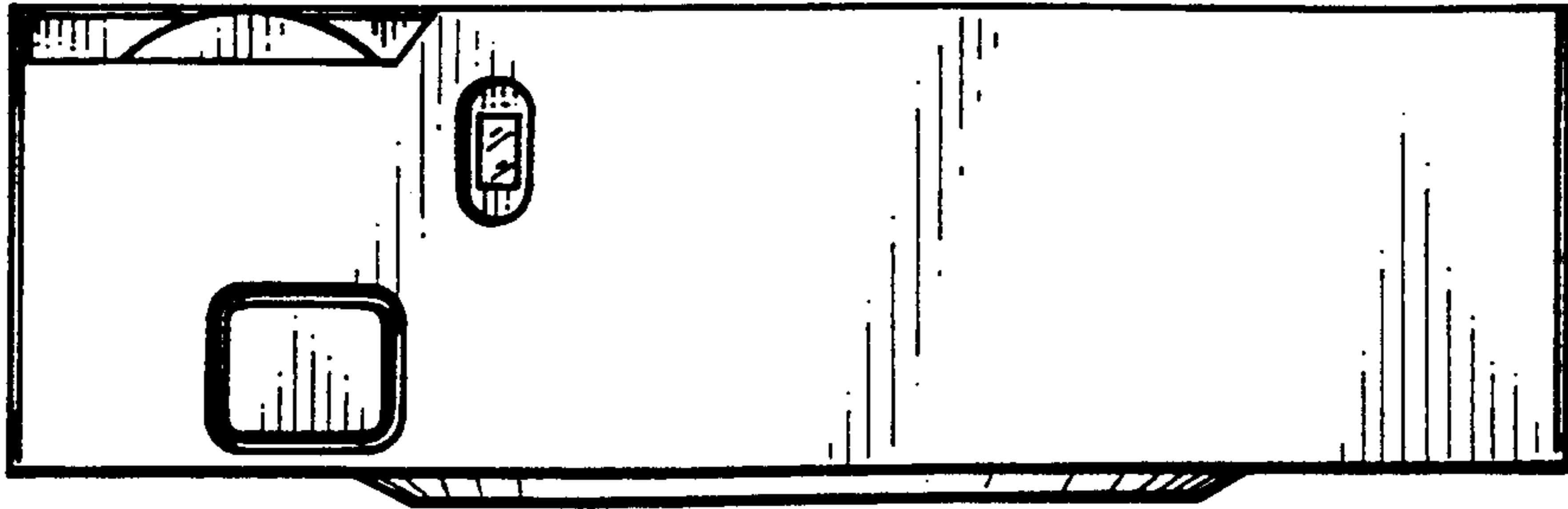


FIG. 19

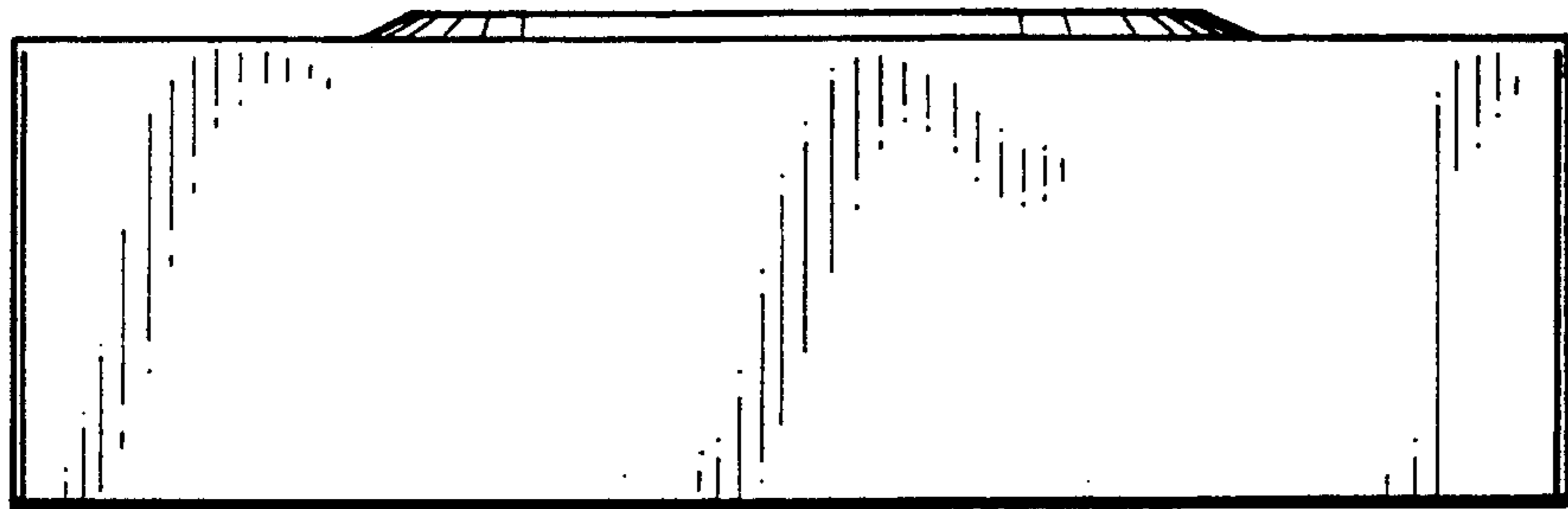


FIG. 20



FIG. 21

