



US00D330562S

United States Patent [19]

[11] Patent Number: **Des. 330,562**

Takada et al.

[45] Date of Patent: **** Oct. 27, 1992**

[54] ELECTRONIC STILL CAMERA

[75] Inventors: **Toshio Takada, Odawara; Shinji Saito, Kawasaki, both of Japan**

[73] Assignee: **Kabushiki Kaisha Toshiba, Kawasaki, Japan**

[**] Term: **14 Years**

[21] Appl. No.: **641,567**

[22] Filed: **Jan. 16, 1991**

[30] Foreign Application Priority Data

Jul. 18, 1990 [JP] Japan 2-24067

[52] U.S. Cl. **D16/202**

[58] Field of Search D16/200-206,
D16/208, 216-218; 354/82, 288; 358/229, 906,
909

[56] References Cited

U.S. PATENT DOCUMENTS

D. 294,570	3/1988	Kurokawa et al.	D16/202
D. 304,596	11/1989	Goto	D16/217
D. 315,357	3/1991	Fukutomi	D16/202
D. 317,928	7/1991	Sugo	D16/202
4,819,016	4/1989	Leonard et al.	354/288
4,945,372	7/1990	Higuchi et al.	354/288

OTHER PUBLICATIONS

Popular Photography, Nov. 1986 p. 70 (Konica Still Video SV-C40).

Modern Photography, Mar. 1987 p. 10 (Casio VS-100 Electronic Still Video Camera).

Camera General Catalog, vol. 97, published Mar. 1990; Chinon Super Genesis.

Taiwan Design Registration No. 095865, published Feb. 1, 1988.

Primary Examiner—Bernard Ansher

Assistant Examiner—Adir Aronovich

Attorney, Agent, or Firm—Oblon, Spivak, McClelland, Maier & Neustadt

[57] CLAIM

The ornamental design for an electronic still camera, as shown.

DESCRIPTION

FIG. 1 is a top, front and right side perspective view of an electronic still camera showing our new design; FIG. 2 is a top, rear and left side perspective view thereof;

FIG. 3 is a front elevational view thereof;

FIG. 4 is a top plan view thereof;

FIG. 5 is a right side elevational view thereof;

FIG. 6 is a rear elevational view thereof;

FIG. 7 is a left side elevational view thereof; and,

FIG. 8 is a bottom plan view thereof.

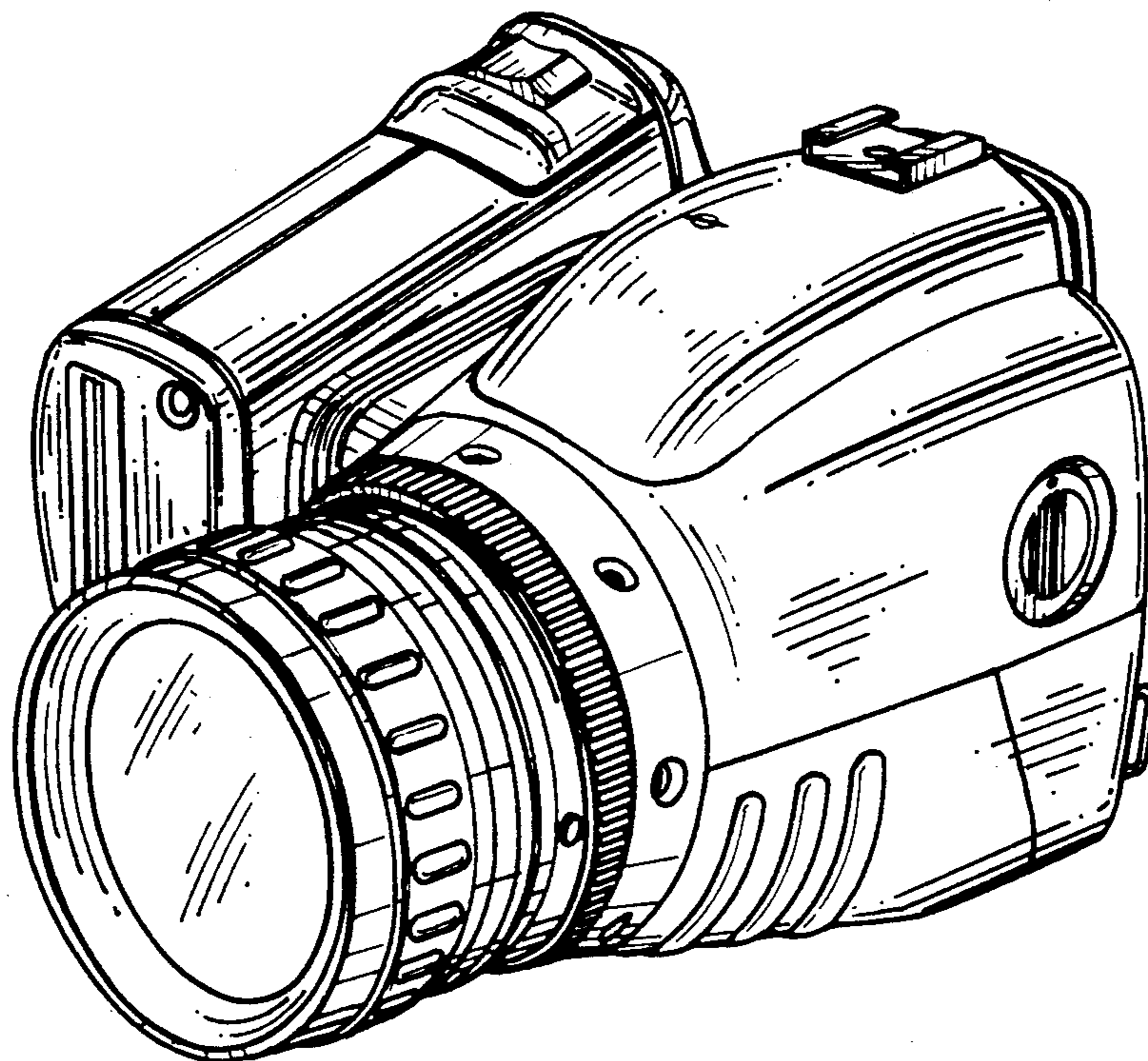


FIG. 2

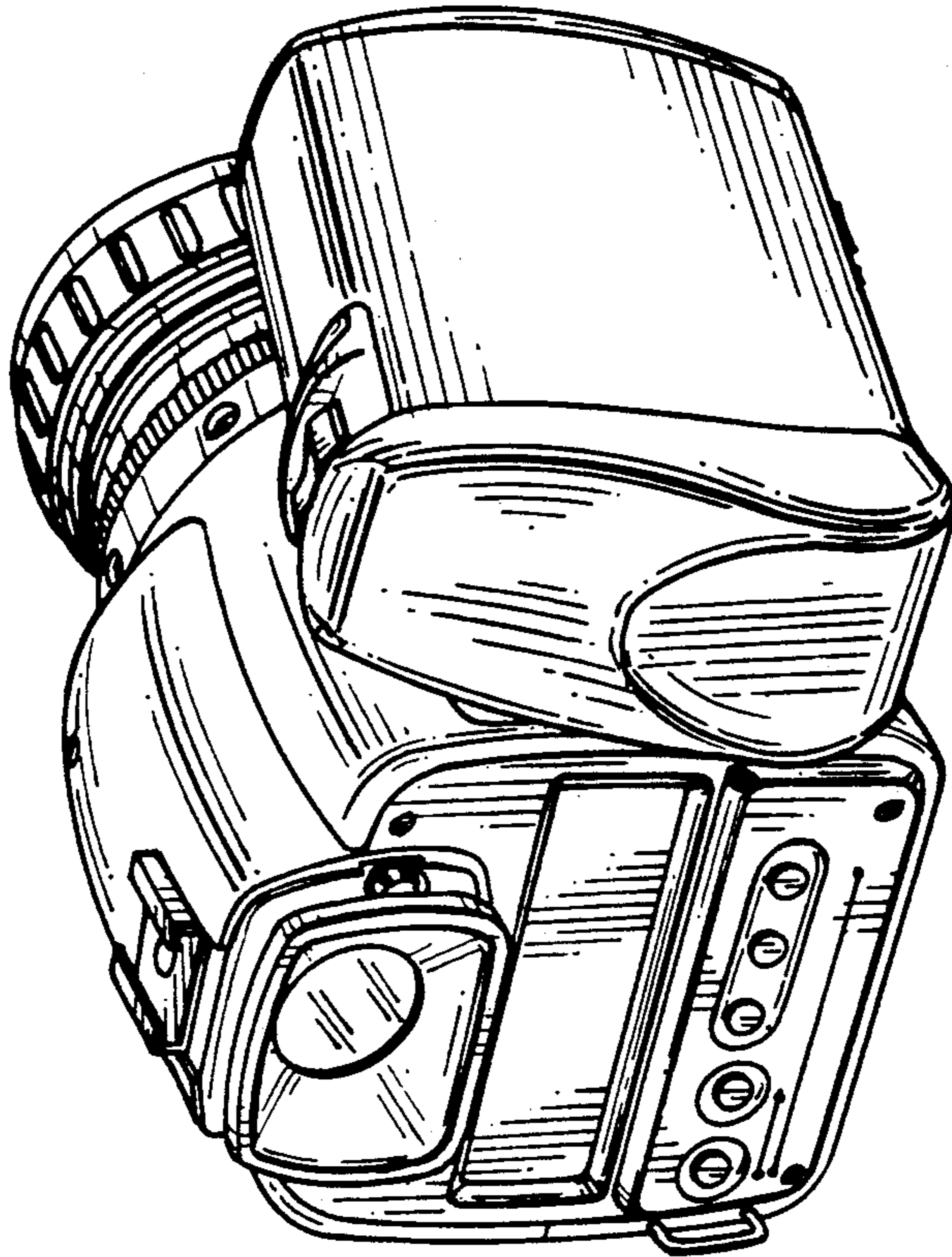


FIG. 1

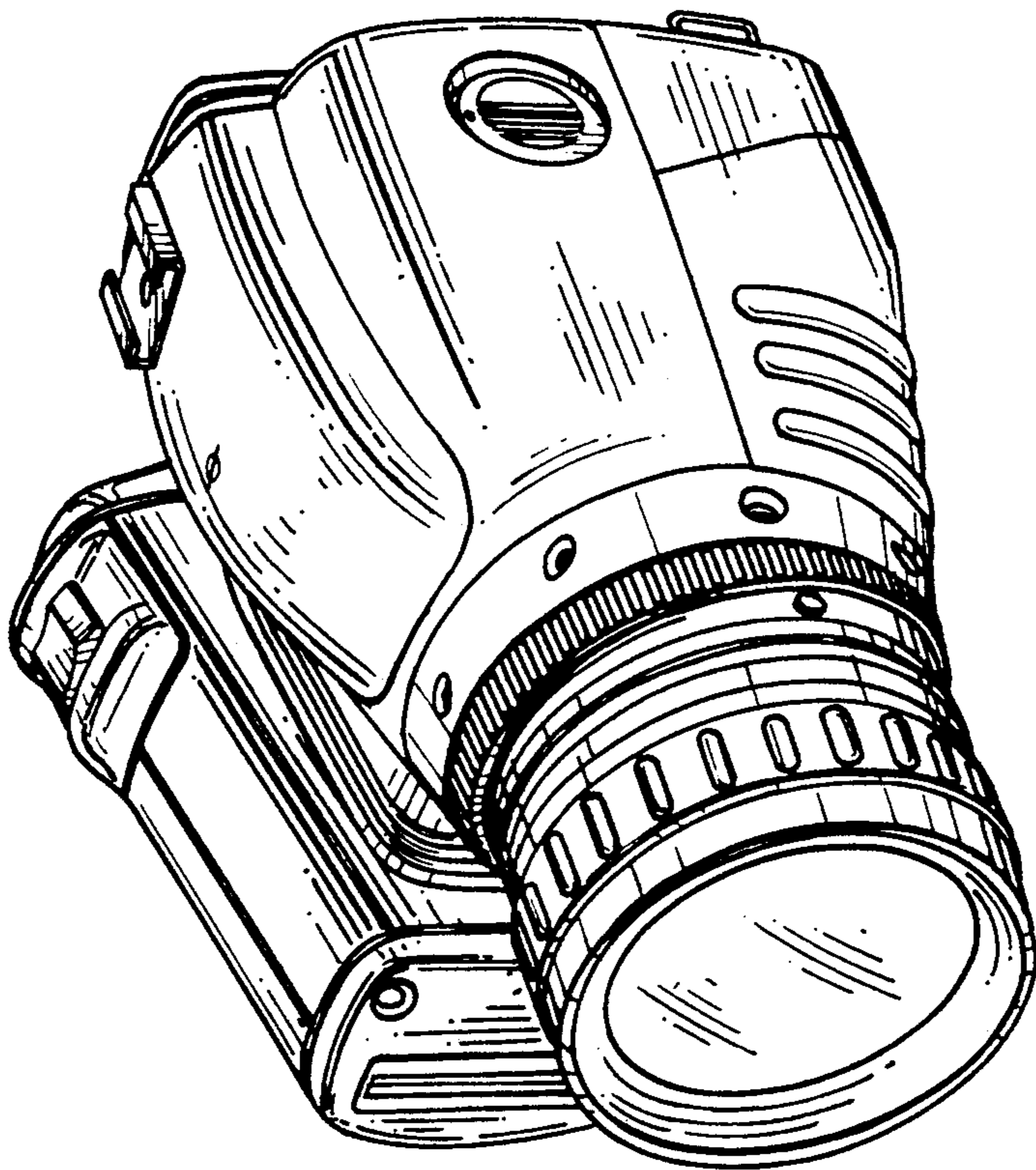


FIG. 4

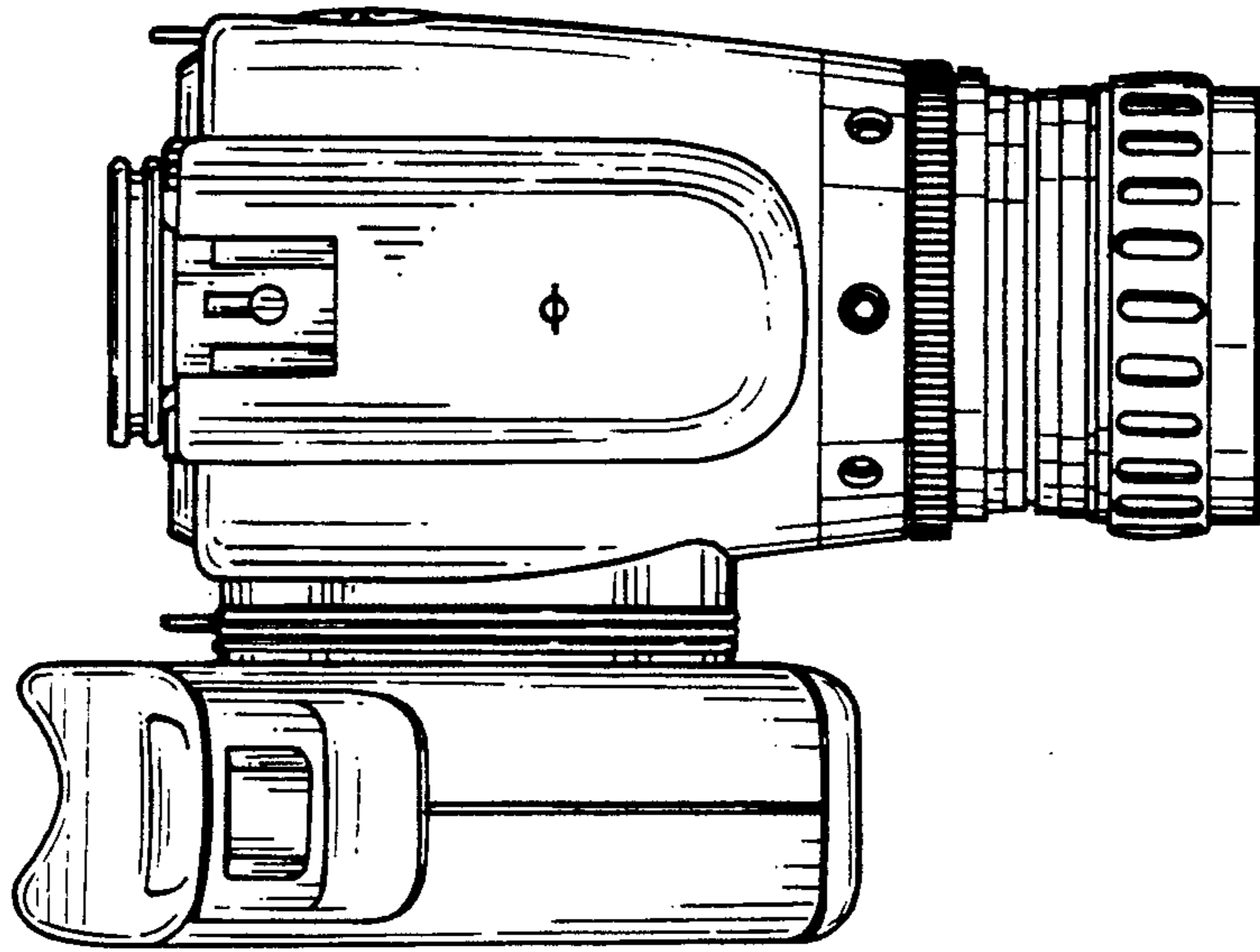


FIG. 3

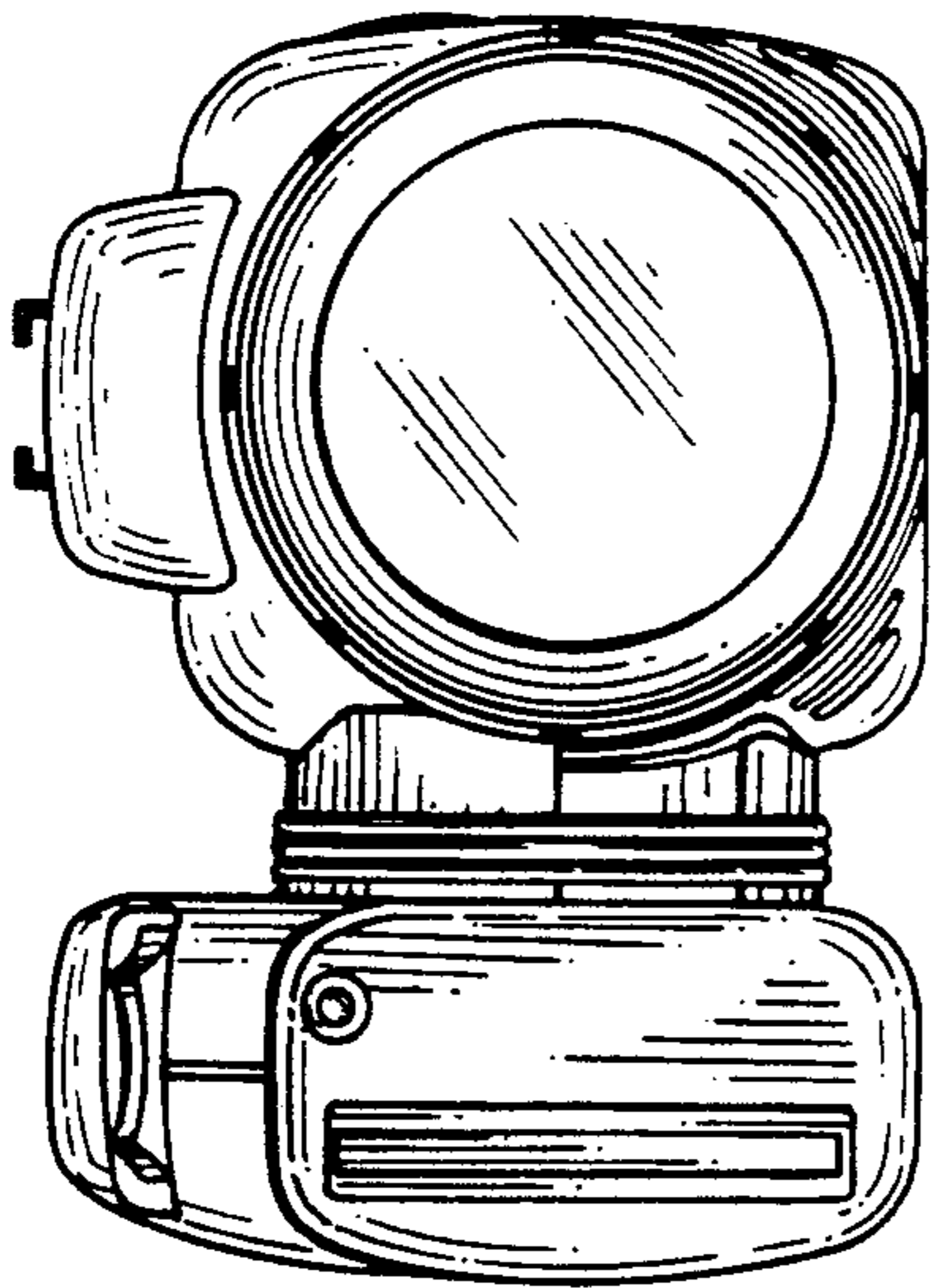


FIG. 5

