



US00D330561S

# United States Patent [19]

[11] Patent Number: **Des. 330,561**

Wilson

[45] Date of Patent: **\*\* Oct. 27, 1992**

[54] **SUNGLASSES LENS FRAME**

4,951,322 8/1990 Lin ..... 2/439

[76] Inventor: **Ken Wilson, 9926 Prospect Ave., Santee, Calif. 92071**

### OTHER PUBLICATIONS

Accessories, Dec. 1986, p. 39, left side of page.

[\*\*] Term: **14 Years**

*Primary Examiner*—Bernard Ansher

*Assistant Examiner*—R. Barkai

[21] Appl. No.: **732,717**

*Attorney, Agent, or Firm*—Charles C. Logan, II

[22] Filed: **Jul. 19, 1991**

[57] **CLAIM**

[52] U.S. Cl. .... **D16/123**

The ornamental design for a sunglasses lens frame, as shown and described.

[58] Field of Search ..... **D16/102, 103, 105-107, D16/110-112, 114, 116, 117, 121-123, 127; D2/246; 351/44, 45, 47, 57, 59, 83, 87, 111, 118; 2/13, 199, 439, 448, 449**

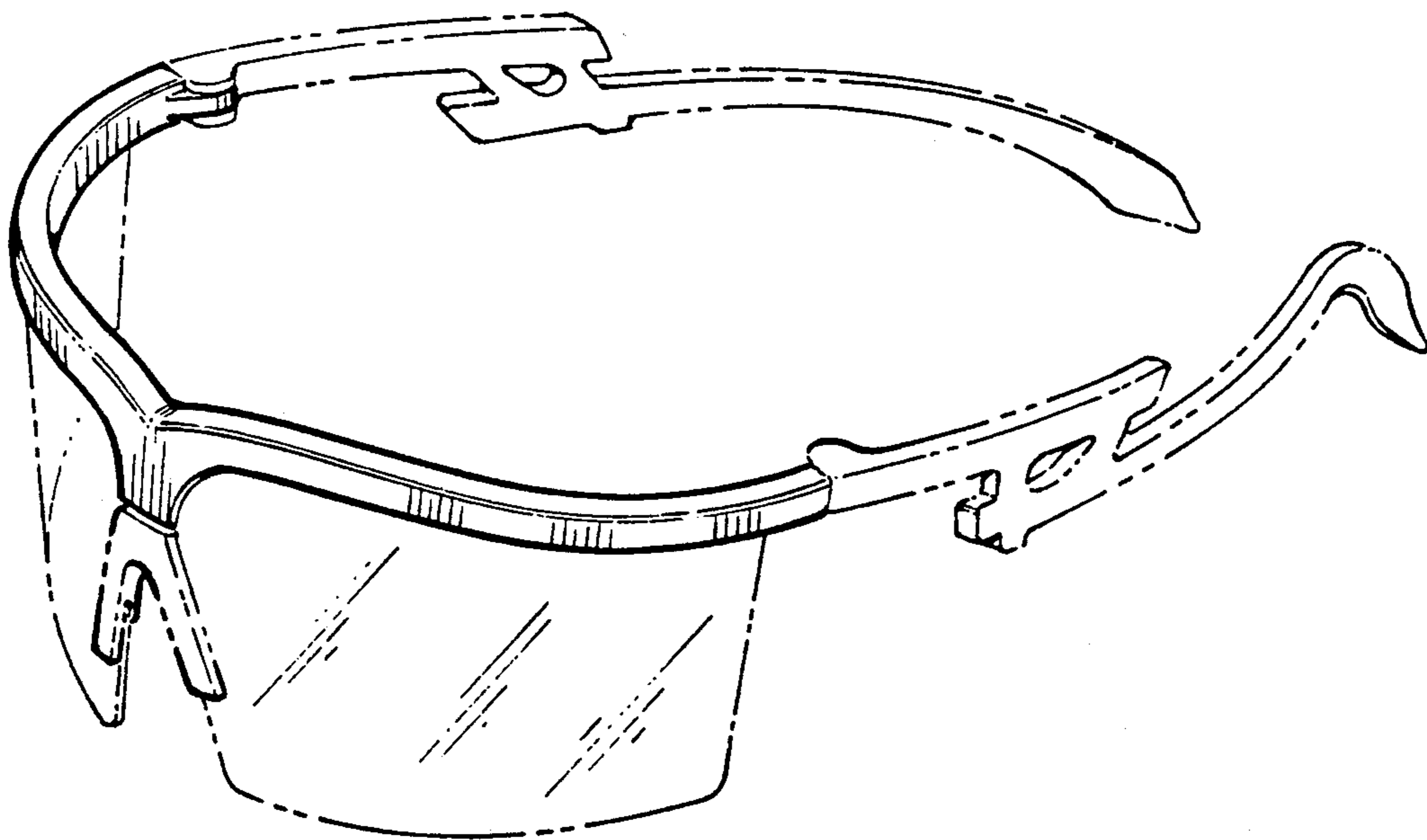
### DESCRIPTION

FIG. 1 is a front perspective view of a sunglasses lens frame showing my new design, the broken line showing of the temples, lens and nose piece is for illustrative purposes only and forms no part of the claimed design; FIG. 2 is a top plan view thereof; FIG. 3 is a front elevational view thereof; FIG. 4 is a bottom plan view thereof; FIG. 5 is a right side elevational view thereof, the left side elevational view being a mirror image; and, FIG. 6 is a rear elevational view thereof.

### [56] References Cited

#### U.S. PATENT DOCUMENTS

D. 185,225	5/1959	Moeller	.....	D16/110
D. 196,000	8/1963	McNeill	.....	D16/111
D. 202,130	8/1965	Mitchell	.....	D16/116
D. 323,333	1/1992	Jannard	.....	D16/112
1,975,490	10/1934	Hubar	.....	351/111
2,442,483	6/1948	Blasi	.....	D16/116



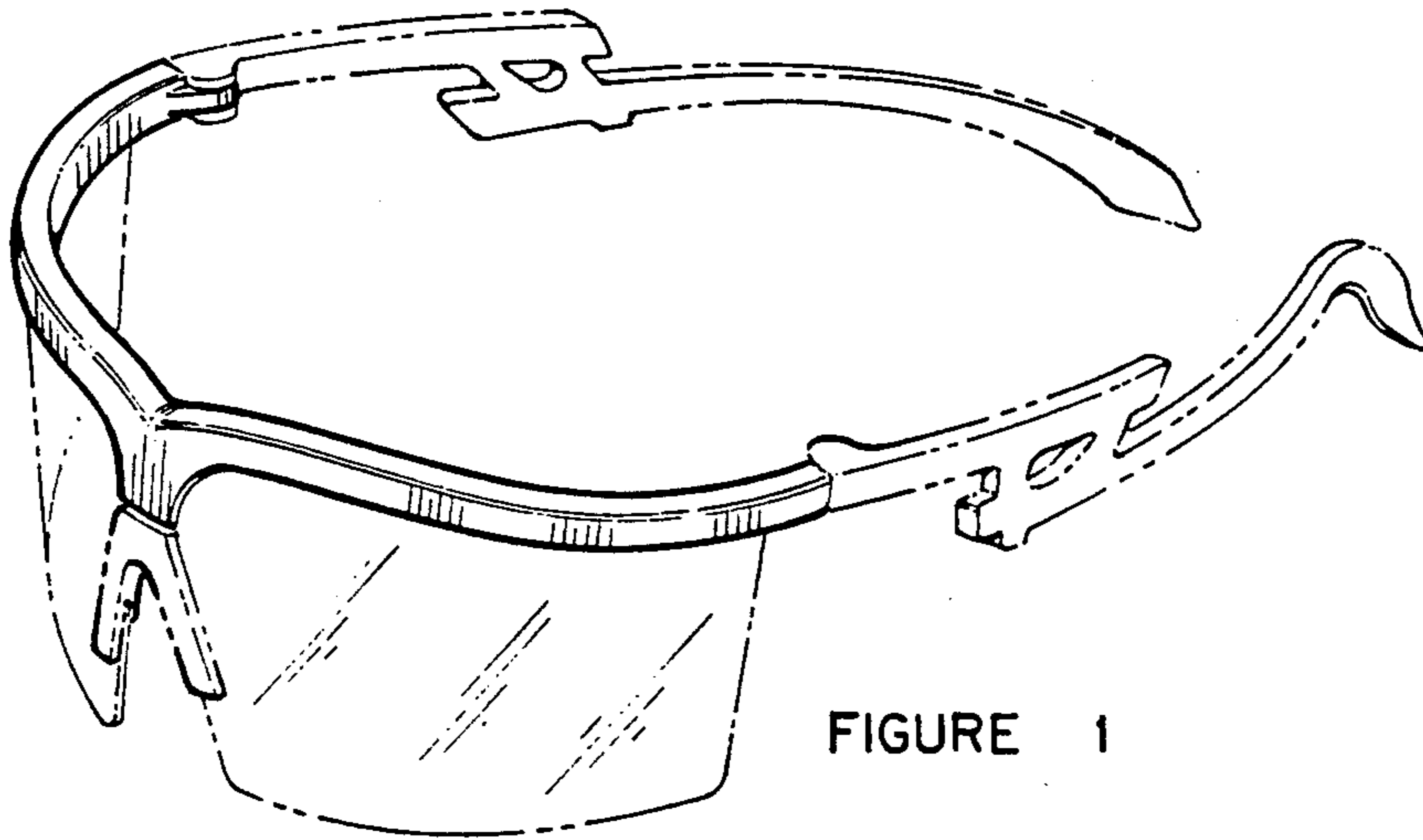


FIGURE 1

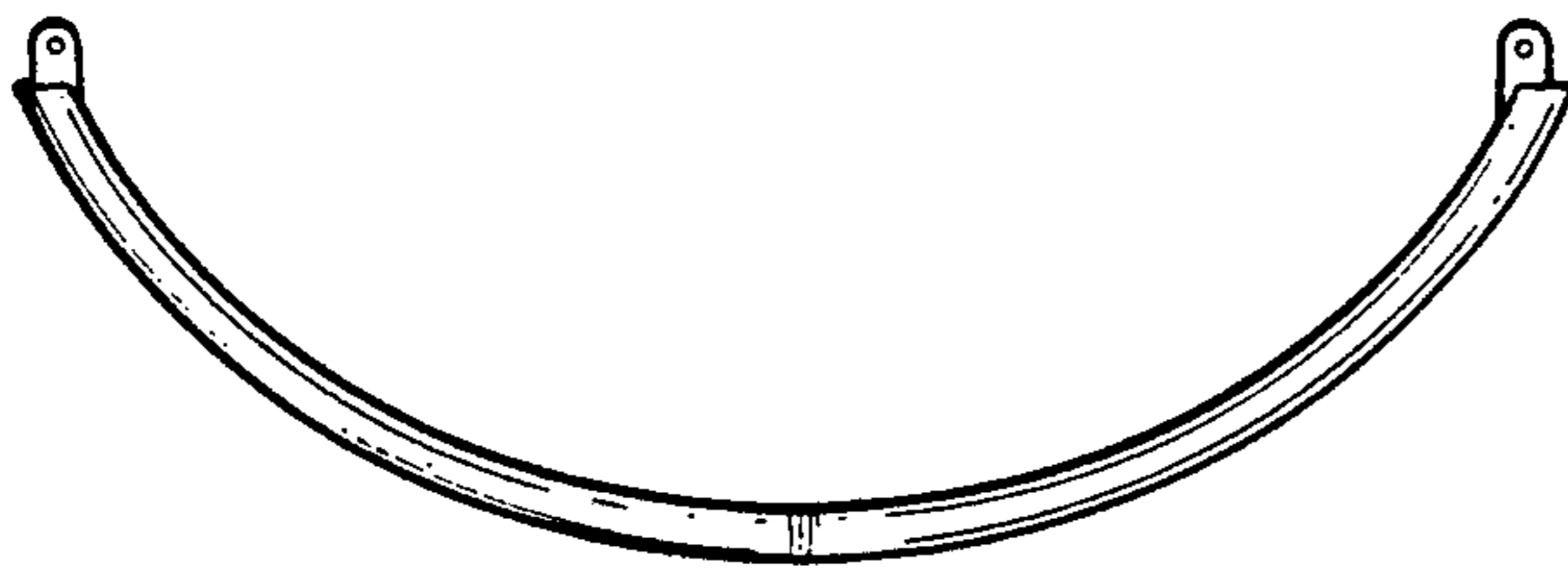


FIGURE 2



FIGURE 5



FIGURE 3



FIGURE 6

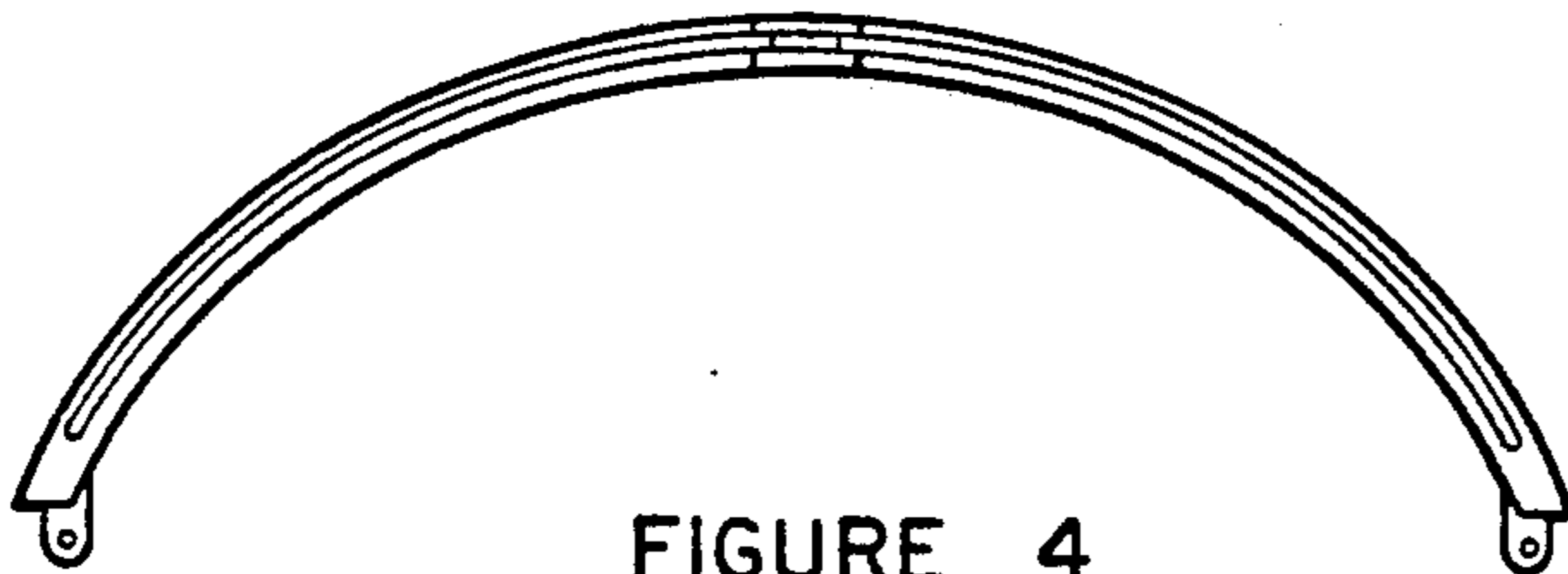


FIGURE 4