



US00D330558S

United States Patent [19]
Chang

[11] **Patent Number: Des. 330,558**
[45] **Date of Patent: ** Oct. 27, 1992**

[54] **DRILLING MACHINE**

[76] **Inventor: Chiou-Fu Chang**, 5th Fl., No. 95-9,
Sec. 2, Shuang-Shih Rd., Taichung
City, Taiwan

[**] **Term: 14 Years**

[21] **Appl. No.: 506,898**

[22] **Filed: Apr. 10, 1990**

[52] **U.S. Cl. D15/132**

[58] **Field of Search D15/132; 29/26 A, 33 R,
29/33 K, 35; 408/35, 82, 48, 135, 234, 235, 236**

[56] **References Cited**

U.S. PATENT DOCUMENTS

- D. 184,835 4/1959 Snyder D15/132
- D. 277,865 3/1985 Chen D15/132
- D. 280,626 9/1985 Chen D15/132
- D. 284,970 8/1986 Wolff D15/132

- D. 285,797 9/1986 Archart D15/132
- 4,655,649 4/1987 Hrov et al. D15/132

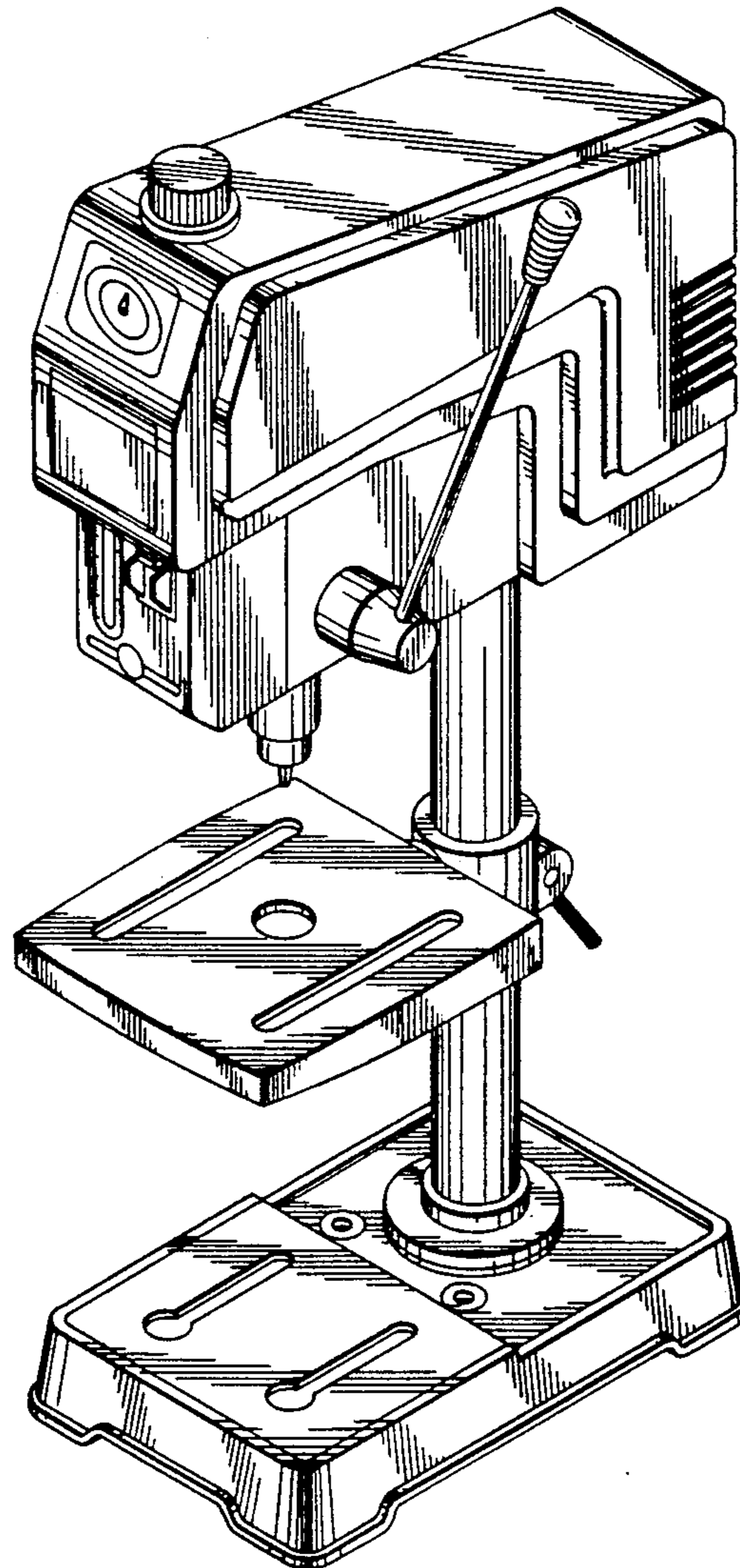
Primary Examiner—Donald P. Walsh
Assistant Examiner—Antoine D. Davis
Attorney, Agent, or Firm—Cushman, Darby & Cushman

[57] **CLAIM**

The ornamental design for drilling machine, as shown and described.

DESCRIPTION

FIG. 1 is a top, front and right side perspective of a drilling machine showing my new design; FIG. 2 is a left side elevational view; FIG. 3 is a right side elevational view; FIG. 4 is a rear elevational view; FIG. 5 is a front elevational view; FIG. 6 is a top plan view; and, FIG. 7 is a bottom plan view thereof.



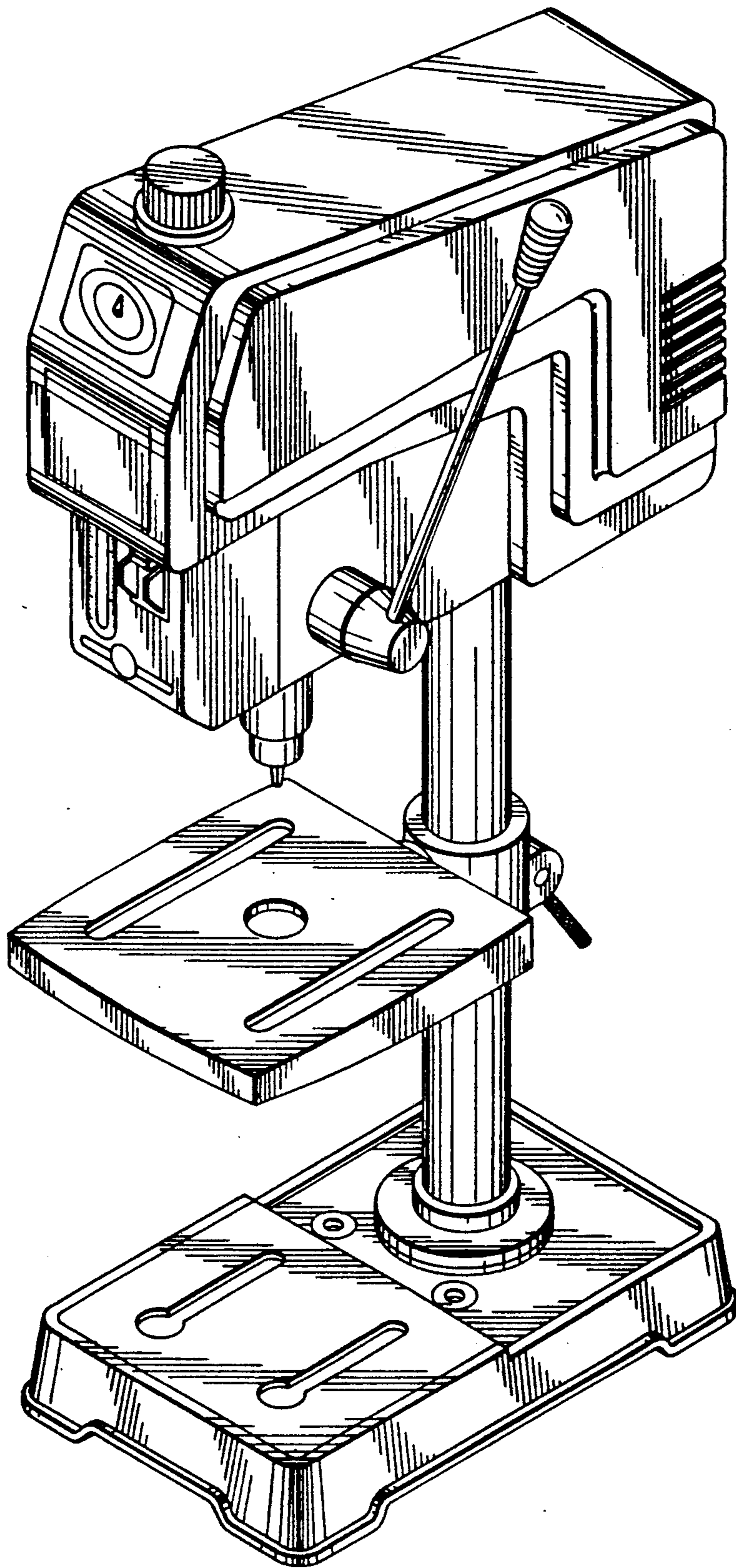


FIG. 1

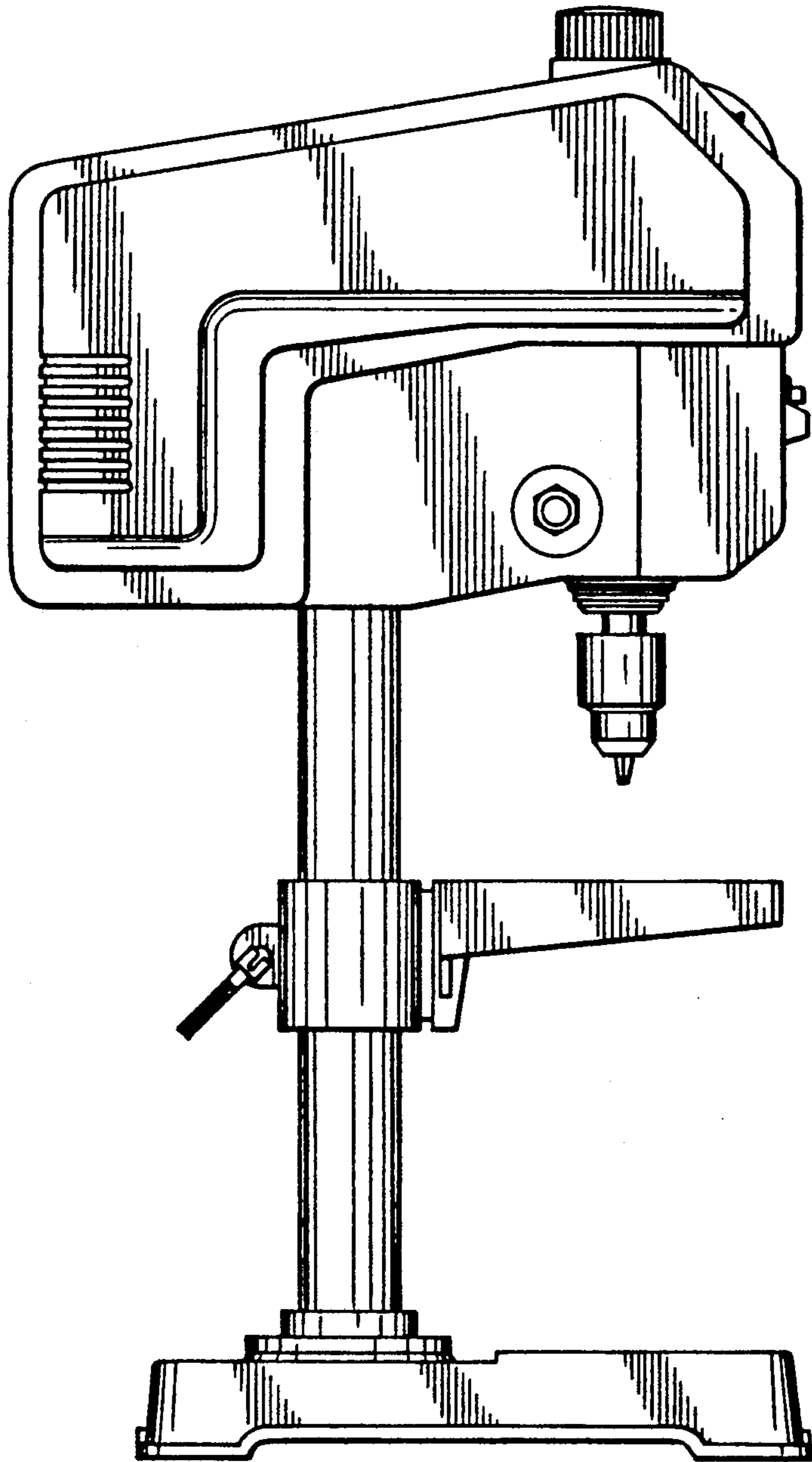


FIG. 2

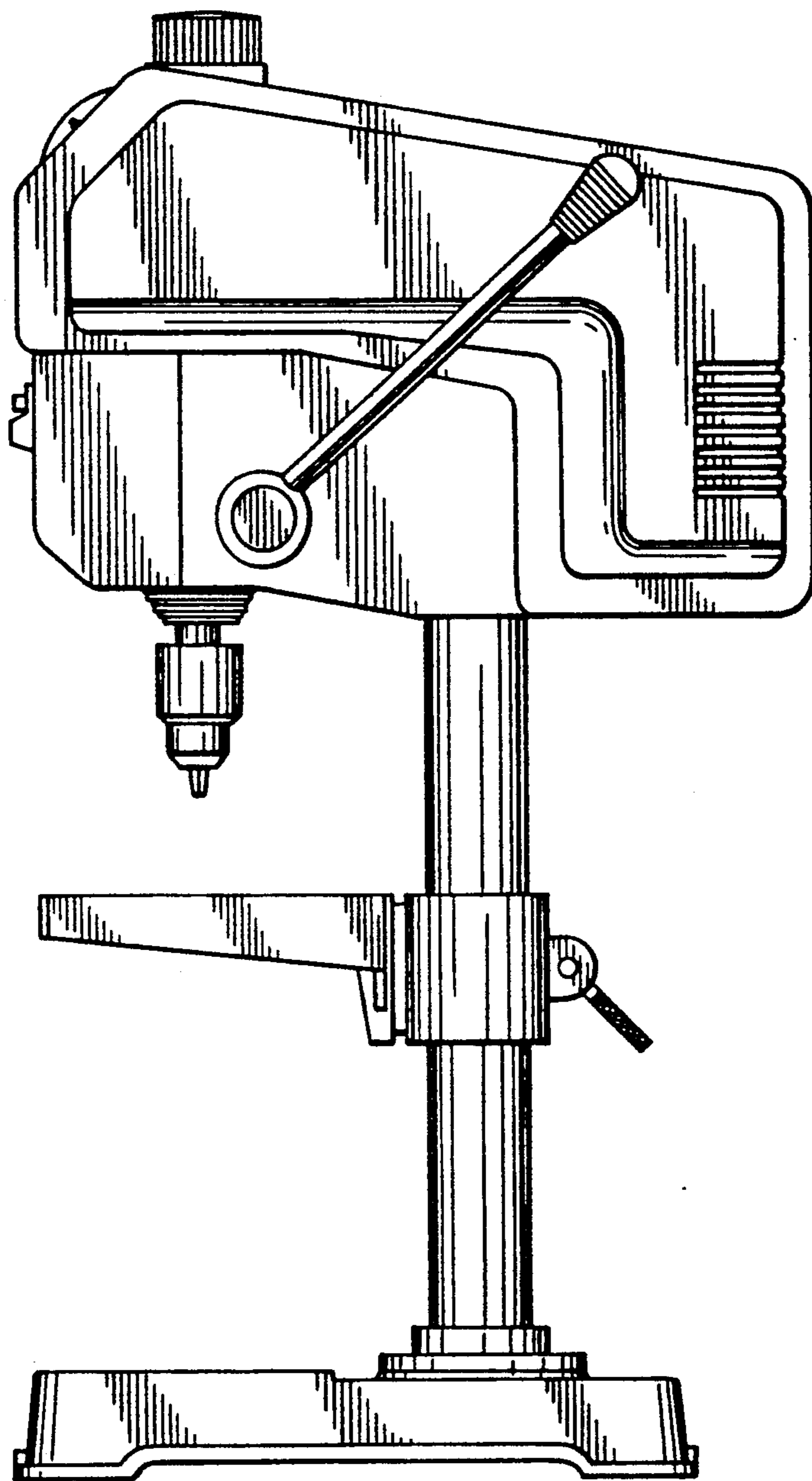


FIG. 3

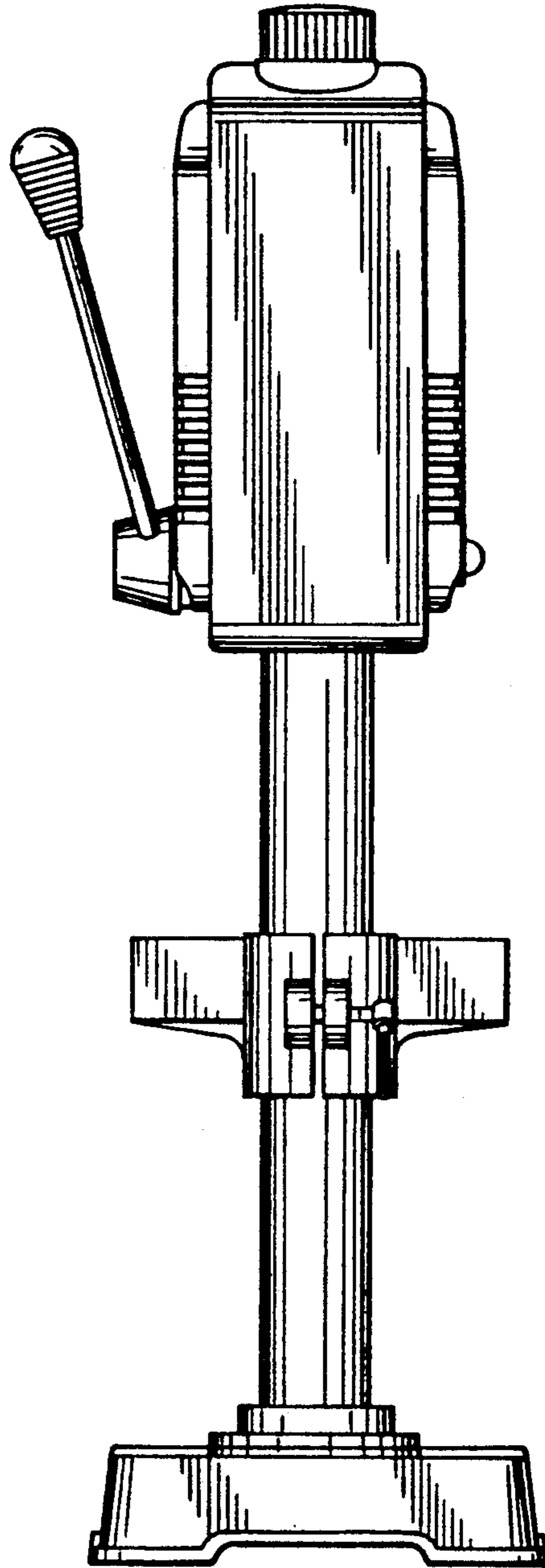


FIG. 4

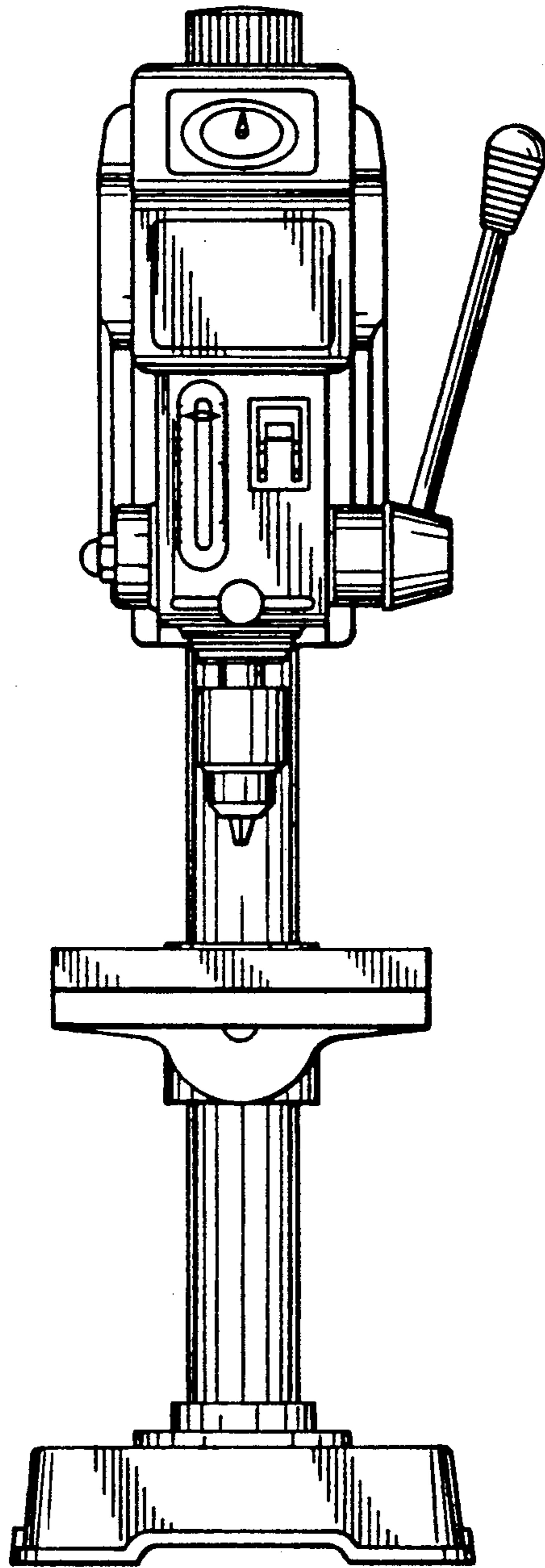


FIG. 5

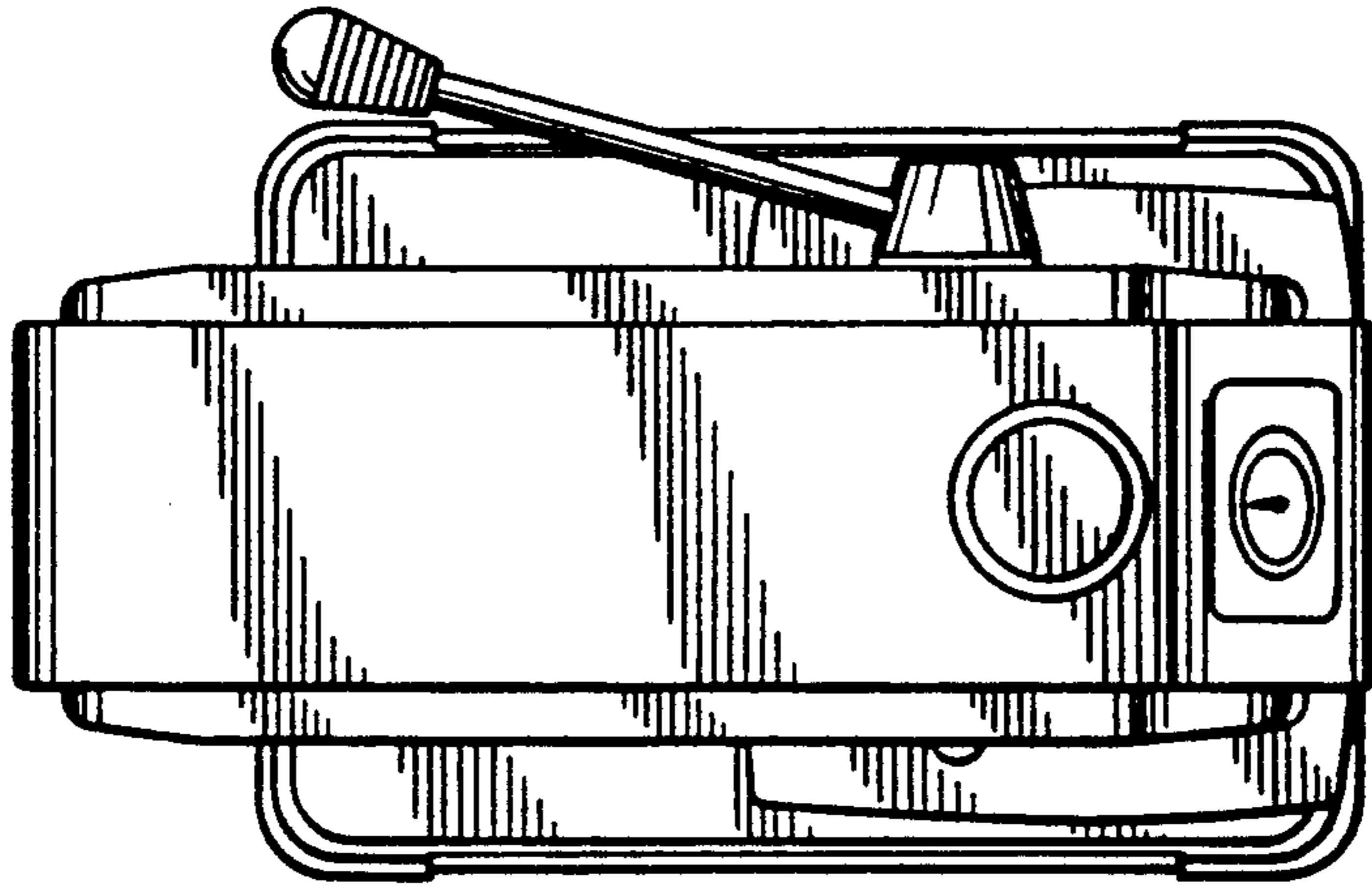


FIG. 6

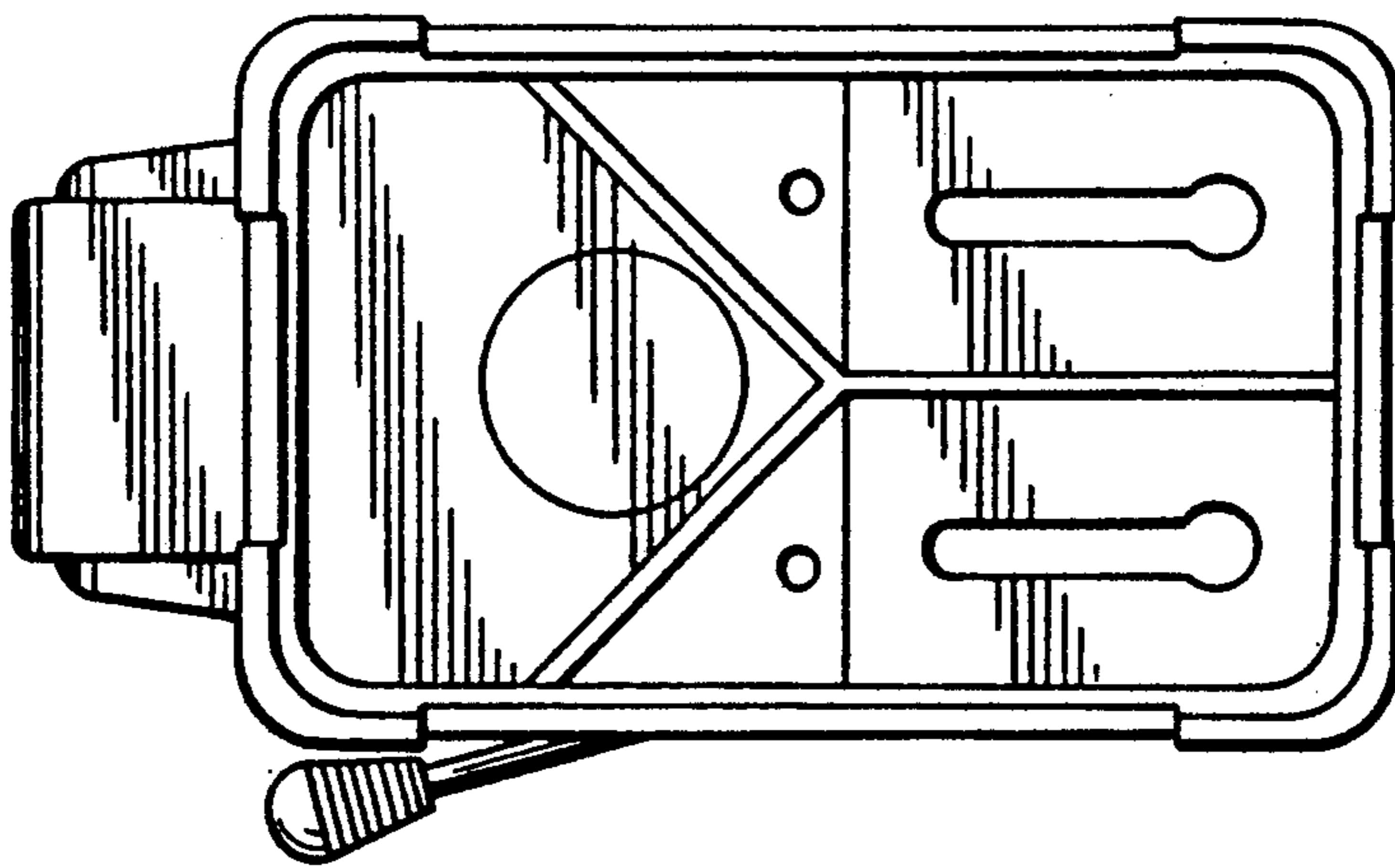


FIG. 7