



US00D330557S

United States Patent [19]

Smith

[11] Patent Number: **Des. 330,557**

[45] Date of Patent: **** Oct. 27, 1992**

[54] **FOOT OPERATED LAWN MOWER STARTER**

3,906,921 9/1975 Tillotson .
4,003,190 1/1977 Braun et al. 123/185.4
4,397,274 8/1983 Tarhedde 123/185.4

[76] Inventor: **Gary A. Smith, R.R. 4, Box 206, Demotte, Ind. 46310-9804**

Primary Examiner—Bernard Ansher
Assistant Examiner—Sandra Morris
Attorney, Agent, or Firm—Terry M. Gernstein

[**] Term: **14 Years**

[21] Appl. No.: **572,026**

[57] **CLAIM**

[22] Filed: **Aug. 24, 1990**

The ornamental design for a foot operated lawn mower starter, as shown and described.

[52] U.S. Cl. **D15/17**

[58] Field of Search **D15/14-17;**
56/10.5, 282, 255, 320.2; 123/185.4

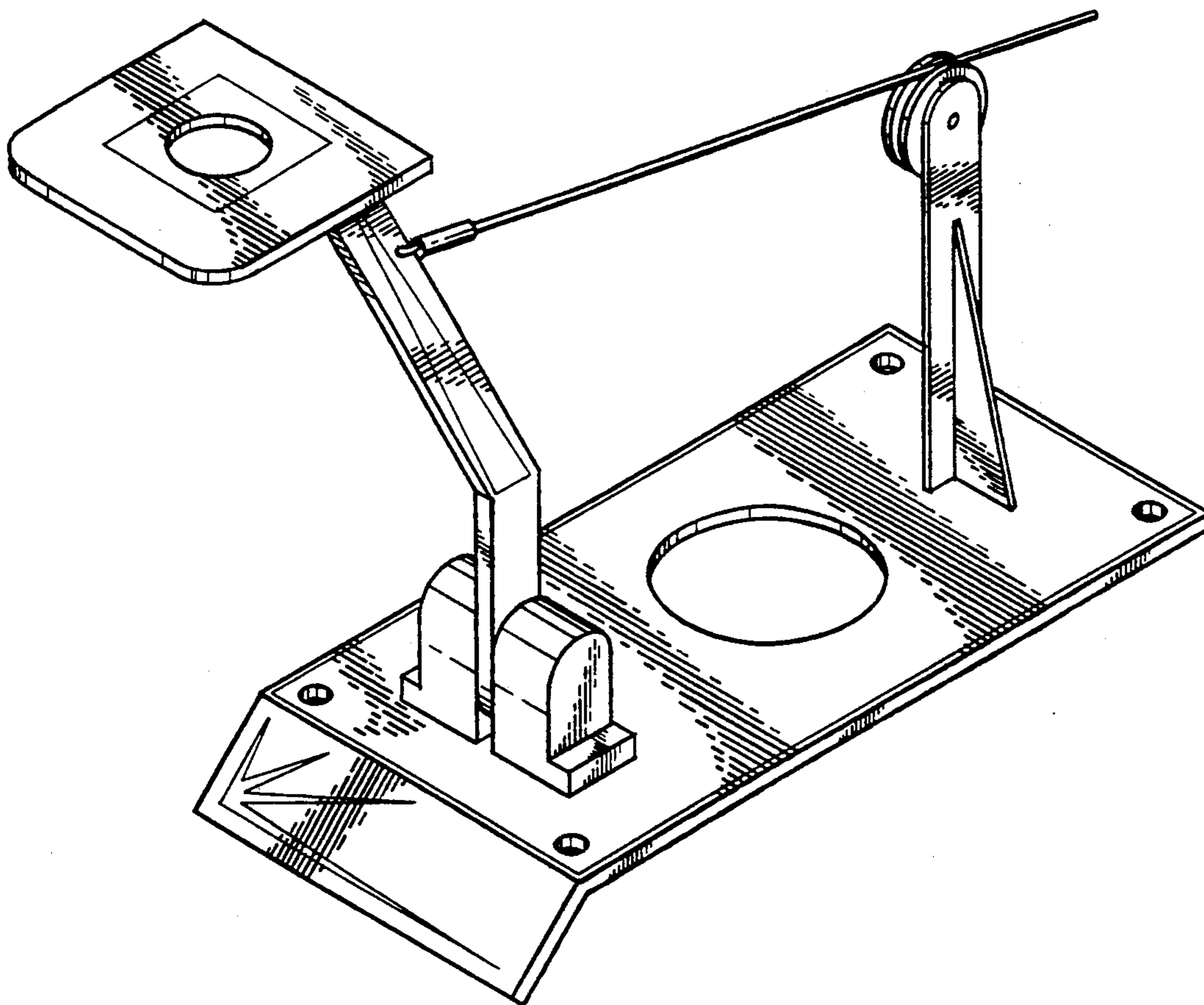
DESCRIPTION

[56] **References Cited**

U.S. PATENT DOCUMENTS

2,912,966 11/1959 Mitchell .
3,024,780 3/1962 Hamman .
3,324,842 6/1967 Haas .
3,857,377 12/1974 Christensen et al. 123/185.4

FIG. 1 is a rear perspective view of a foot operated lawn mower starter showing my new design; FIG. 2 is a front elevational view thereof; FIG. 3 is a rear elevational view thereof; FIG. 4 is a left side elevational view thereof; FIG. 5 is a right side elevational view thereof; FIG. 6 is a top plan view thereof; and, FIG. 7 is a bottom view thereof.



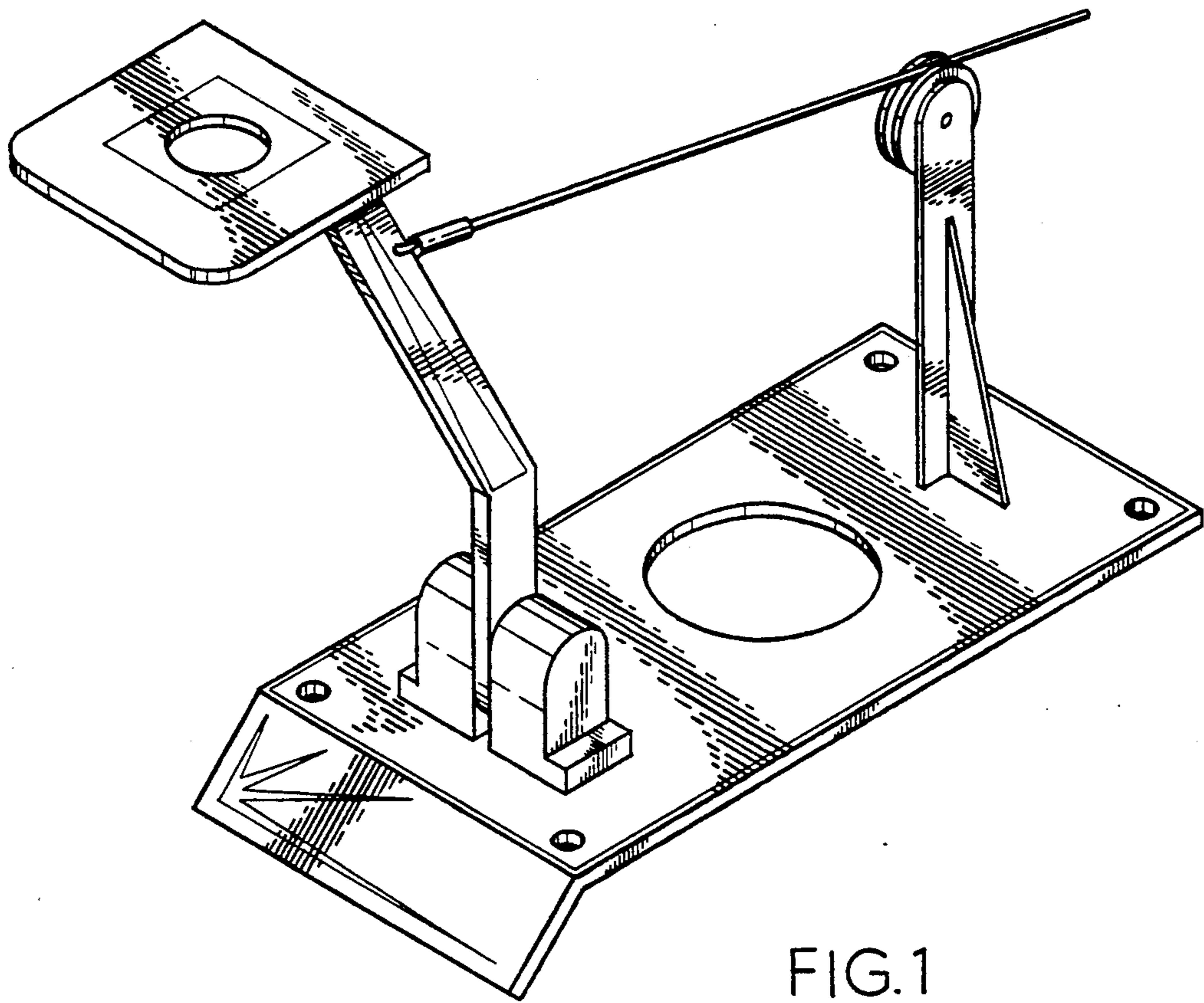


FIG. 1

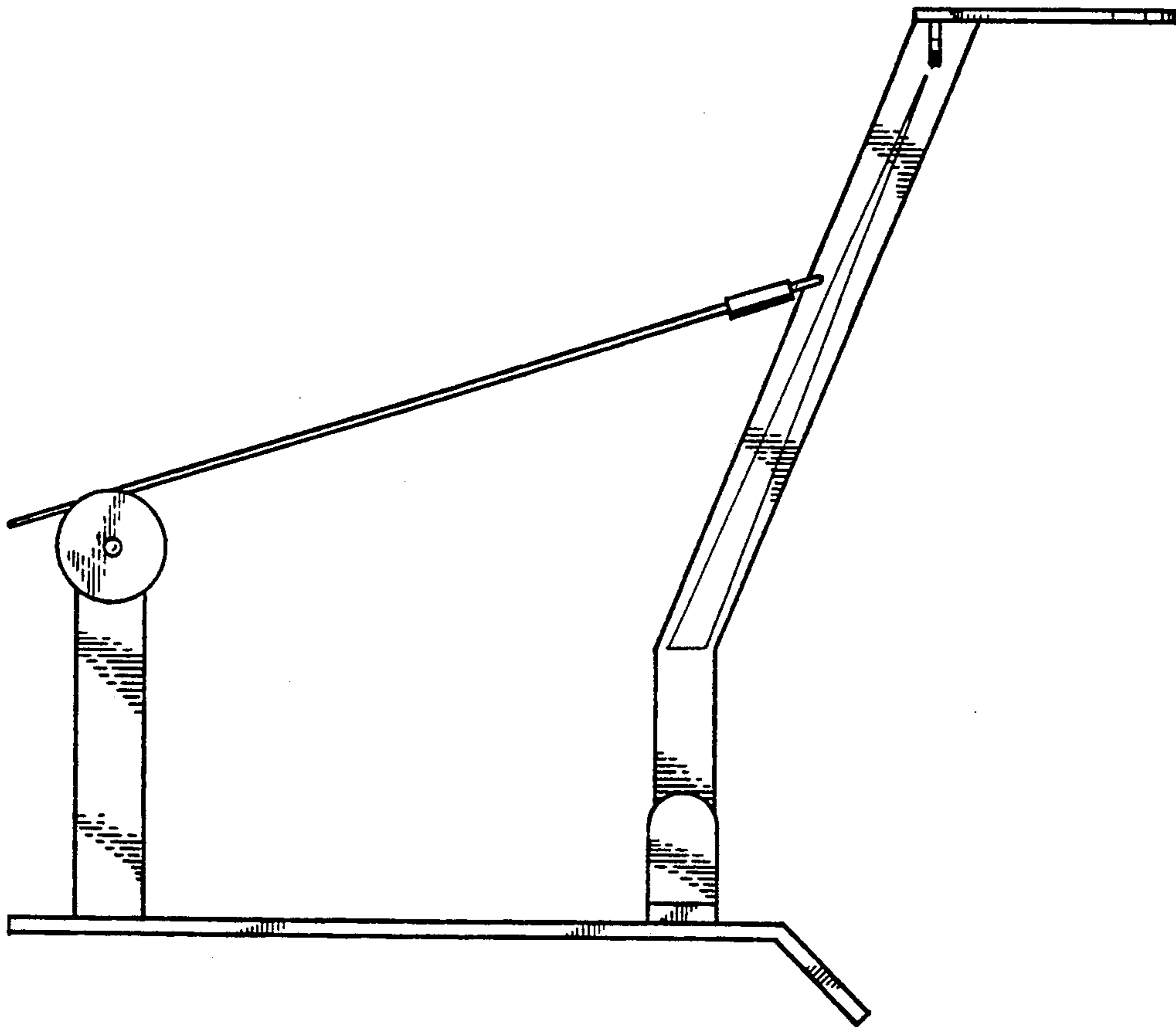


FIG. 2

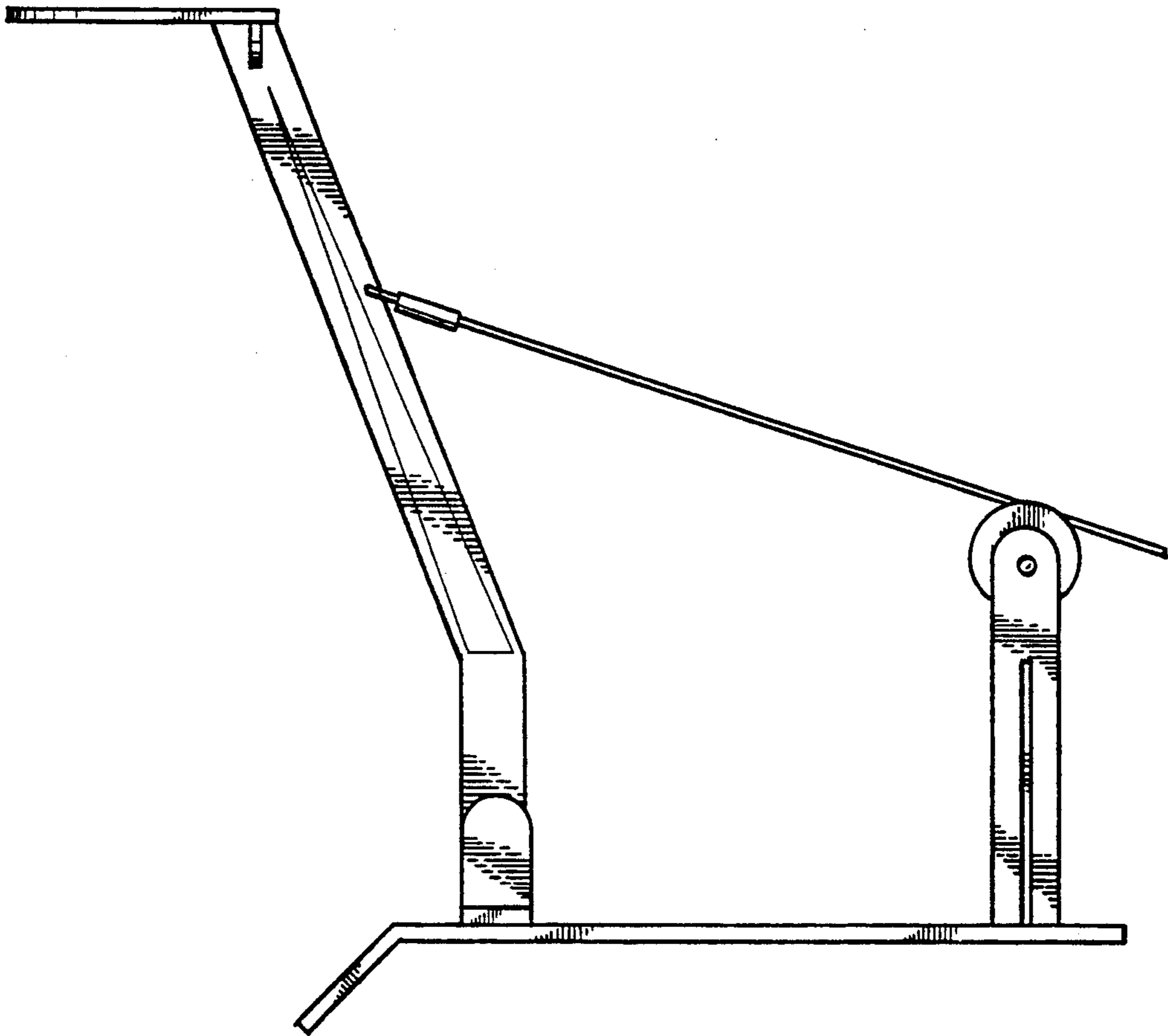


FIG. 3

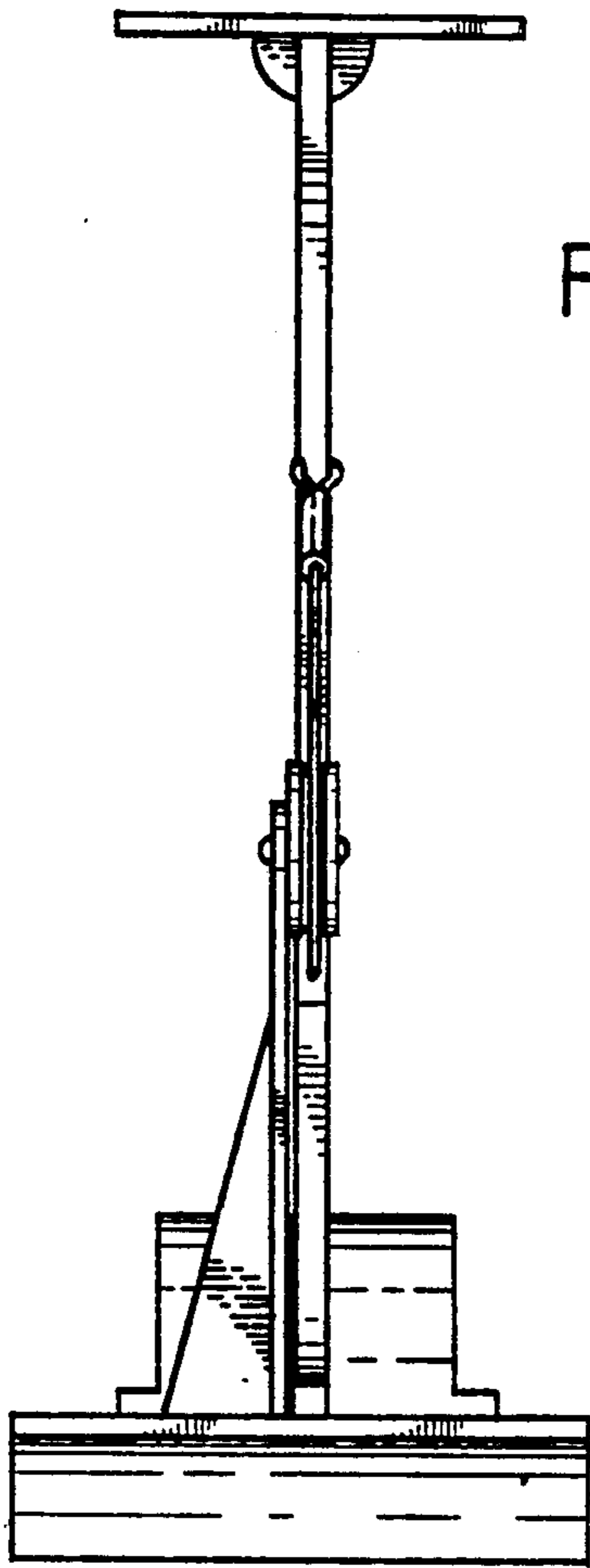


FIG. 4

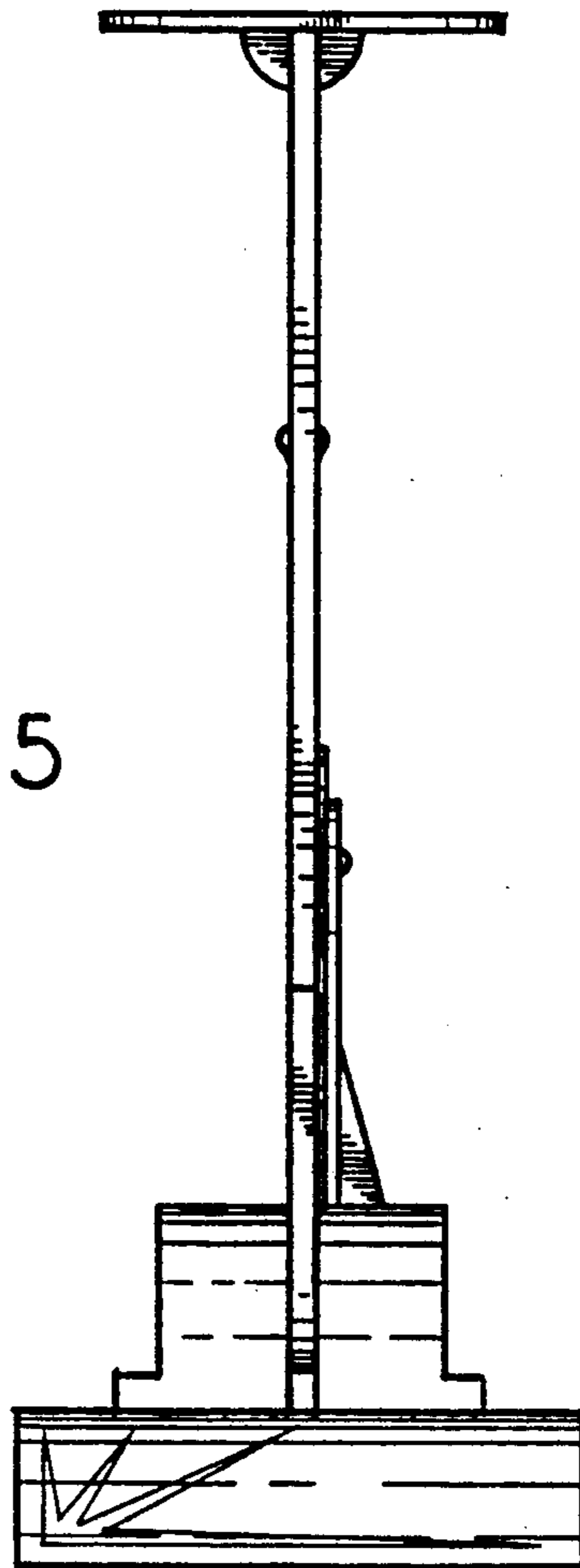


FIG. 5

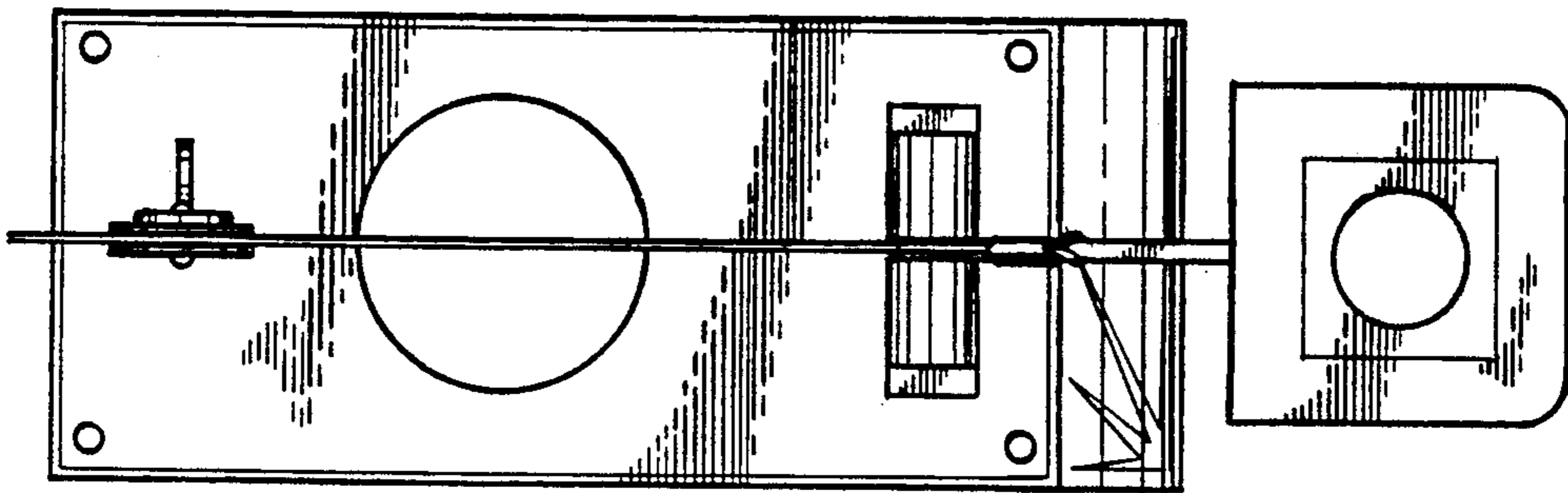


FIG. 6

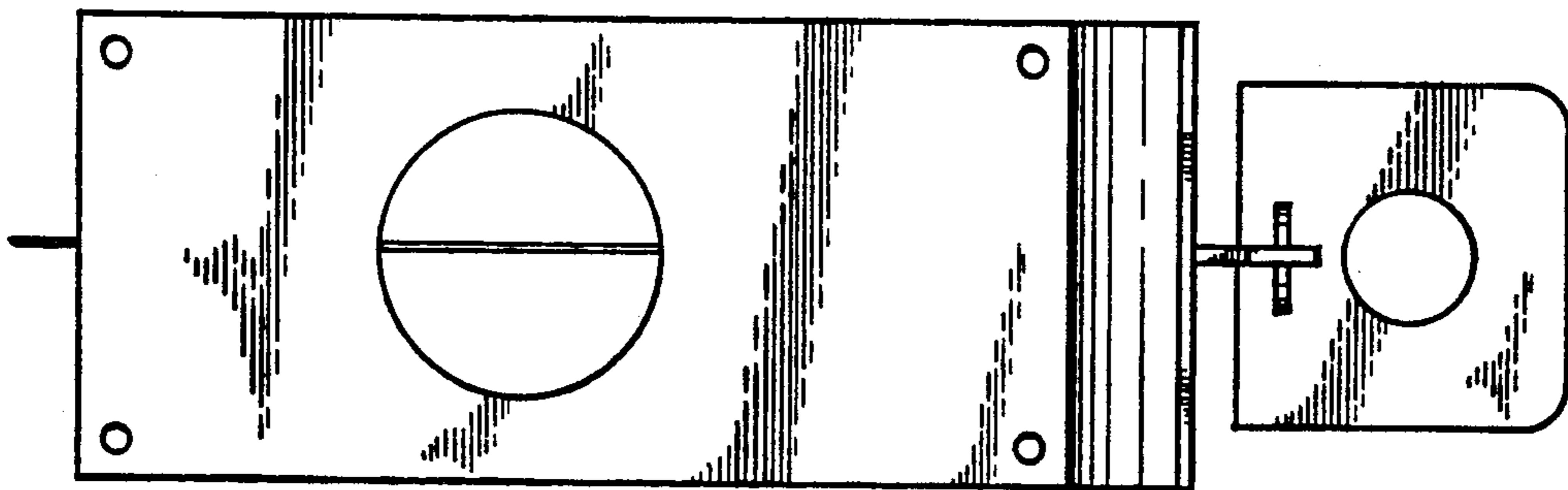


FIG. 7