



US00D330555S

United States Patent [19]

Lilly

[11] Patent Number: **Des. 330,555**

[45] Date of Patent: **** Oct. 27, 1992**

[54] ANTENNA RAILING MOUNT

[75] Inventor: **Matthew D. Lilly**, 25 Linden Pl., Port Jefferson Station, N.Y. 11776

[73] Assignee: **Matthew D. Lilly**, Port Jefferson Station, N.Y.

[**] Term: **14 Years**

[21] Appl. No.: **482,997**

[22] Filed: **Feb. 21, 1990**

[52] U.S. Cl. **D14/238**

[58] Field of Search D14/124, 230-238, D14/299; 343/713, 715, 880, 882; D8/396

[56] **References Cited**

U.S. PATENT DOCUMENTS

| | | | |
|------------|---------|----------------------|-----------|
| D. 281,779 | 12/1985 | Lilly | D14/230 |
| D. 294,702 | 3/1988 | Yoder | D14/238 |
| D. 321,886 | 11/1991 | Metivier | D14/238 |
| 4,115,779 | 9/1978 | Dantzler et al. | 343/882 X |

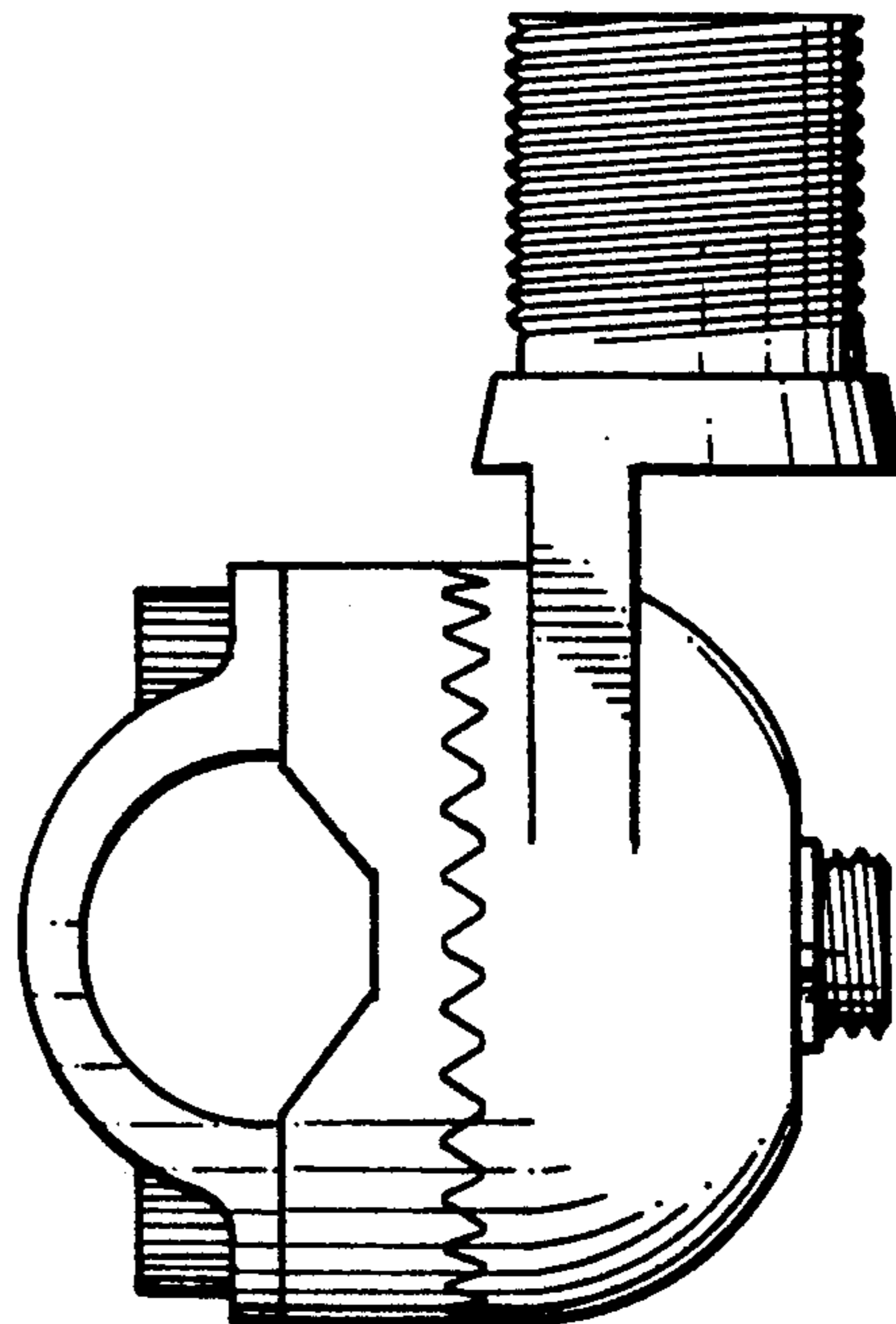
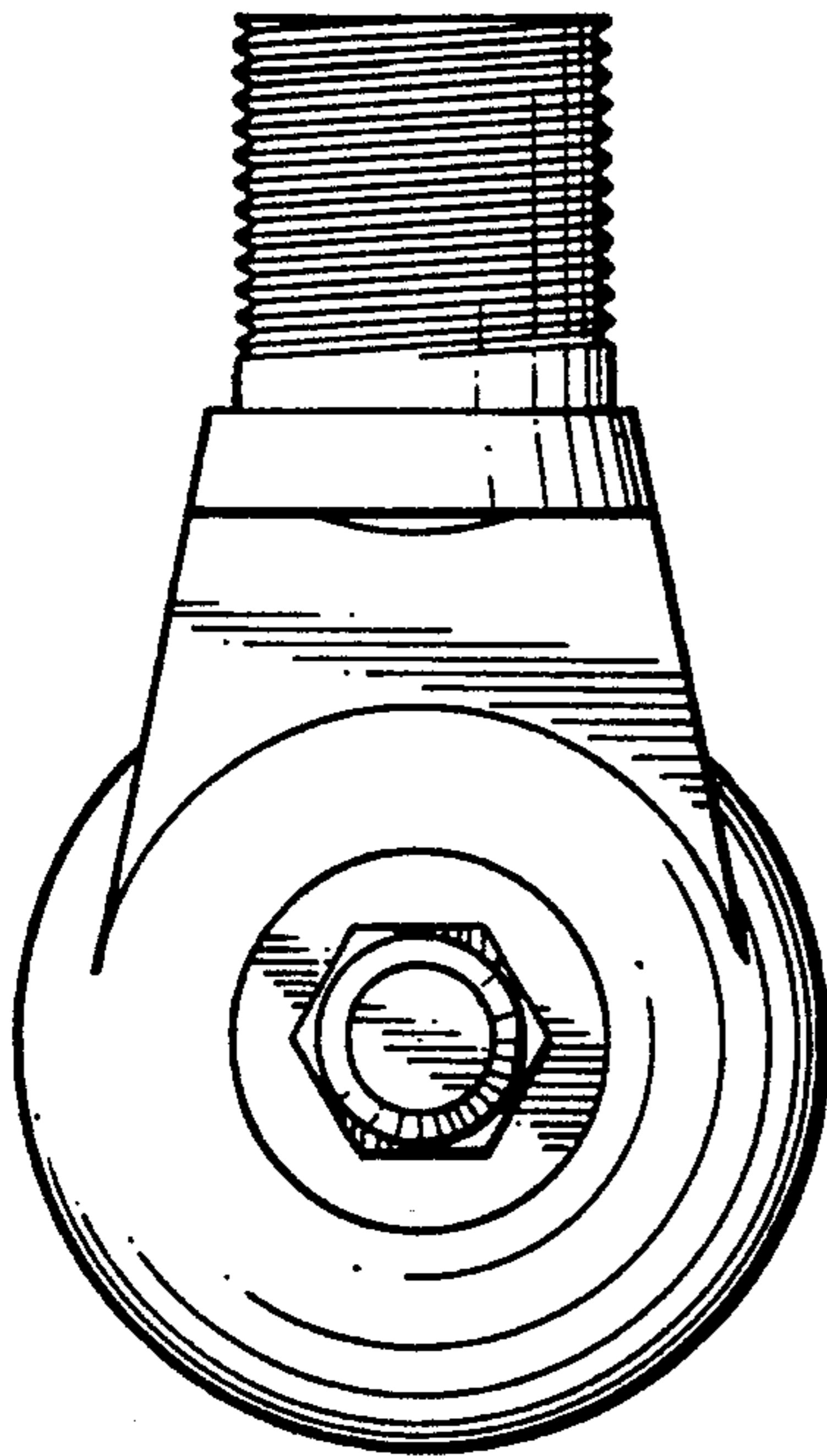
Primary Examiner—Theodore M. Shooman

[57] CLAIM

The ornamental design for antenna railing mount, as shown and described.

DESCRIPTION

FIG. 1 is a front elevational view of an antenna railing mount, showing my new design;
 FIG. 2 is a rear elevational view thereof;
 FIG. 3 is a left side elevational view thereof, the right side being a mirror image;
 FIG. 4 is a bottom plan view thereof; and,
 FIG. 5 is a top plan view thereof.



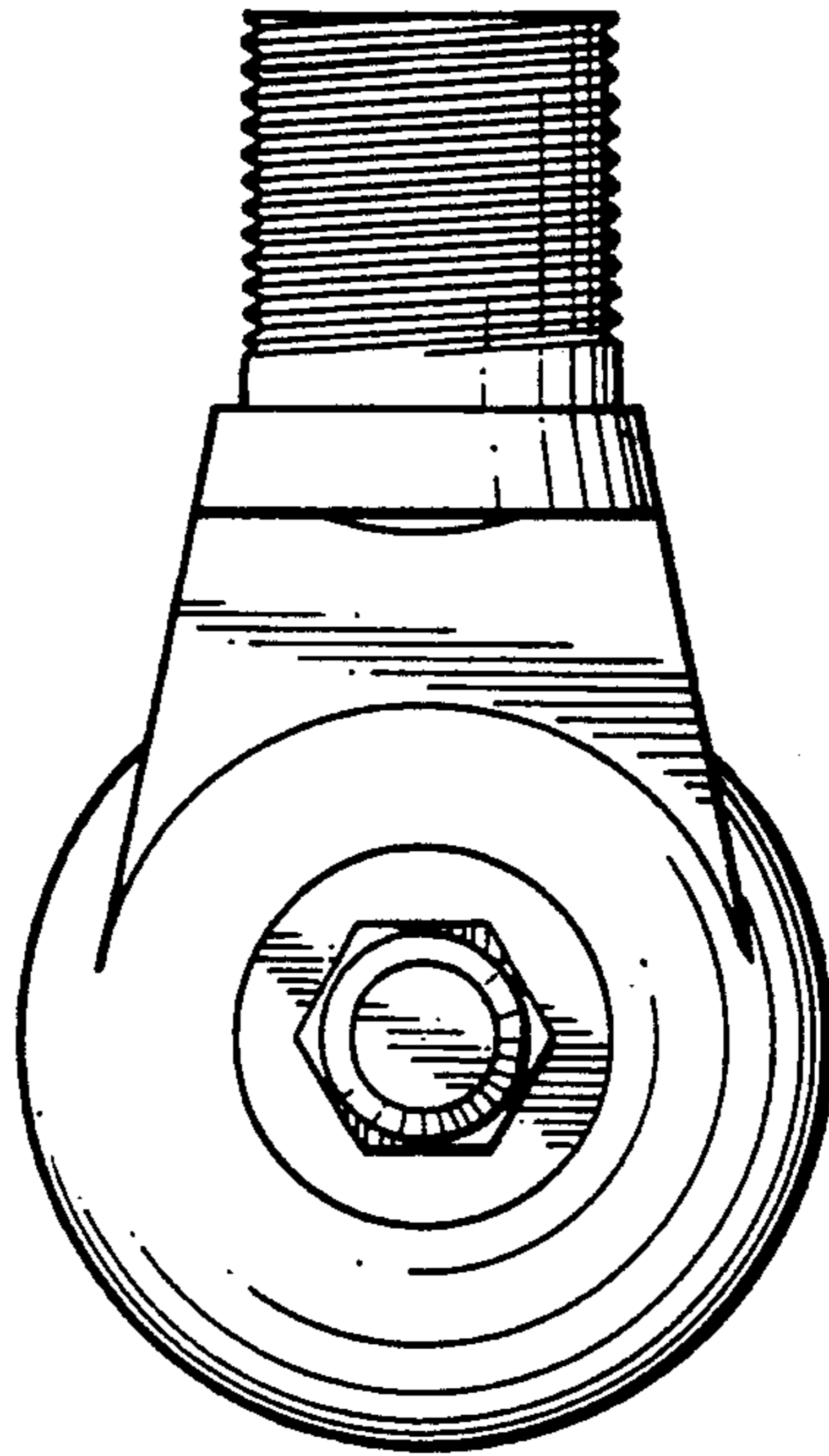


FIG. 1

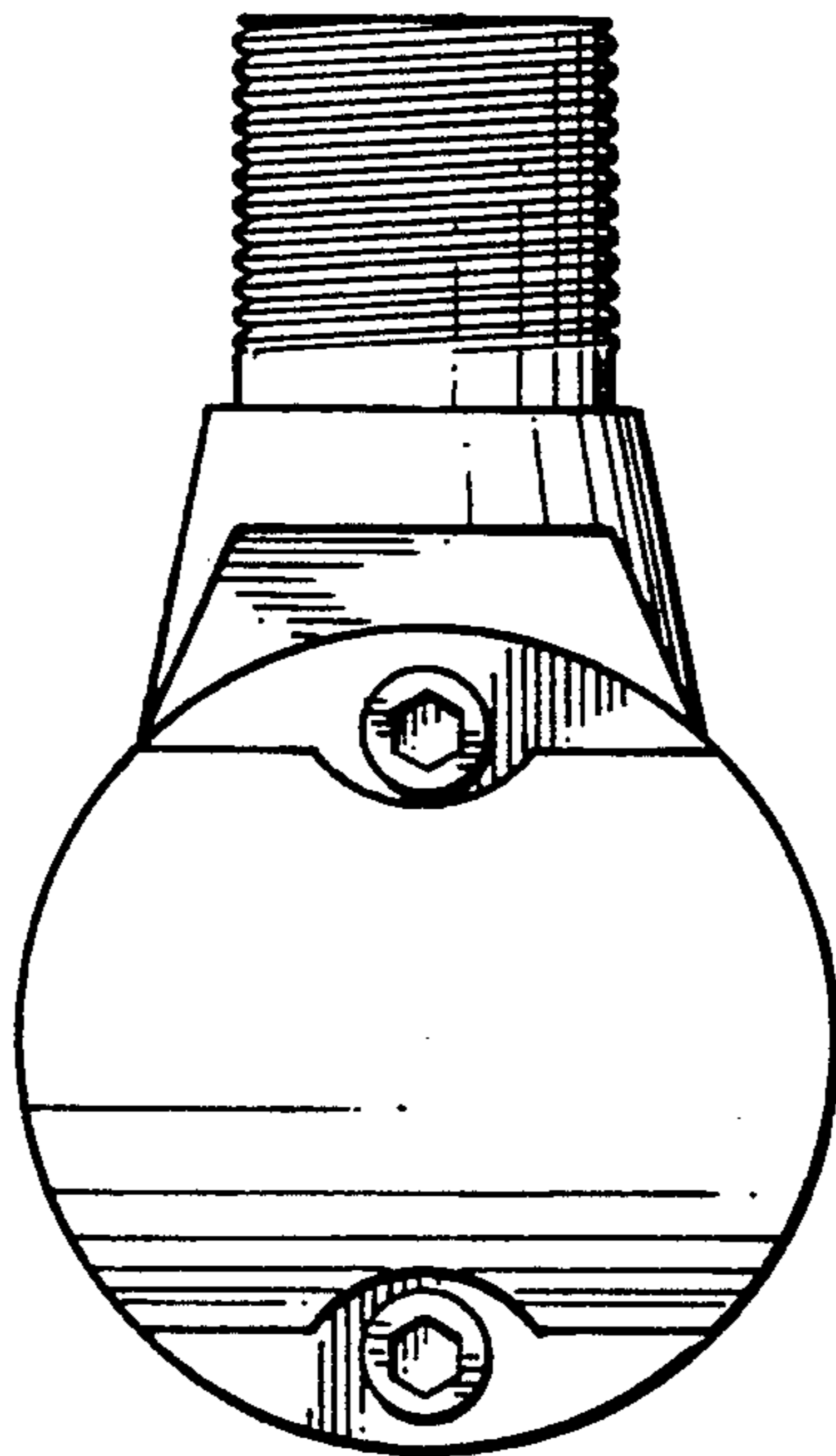


FIG. 2

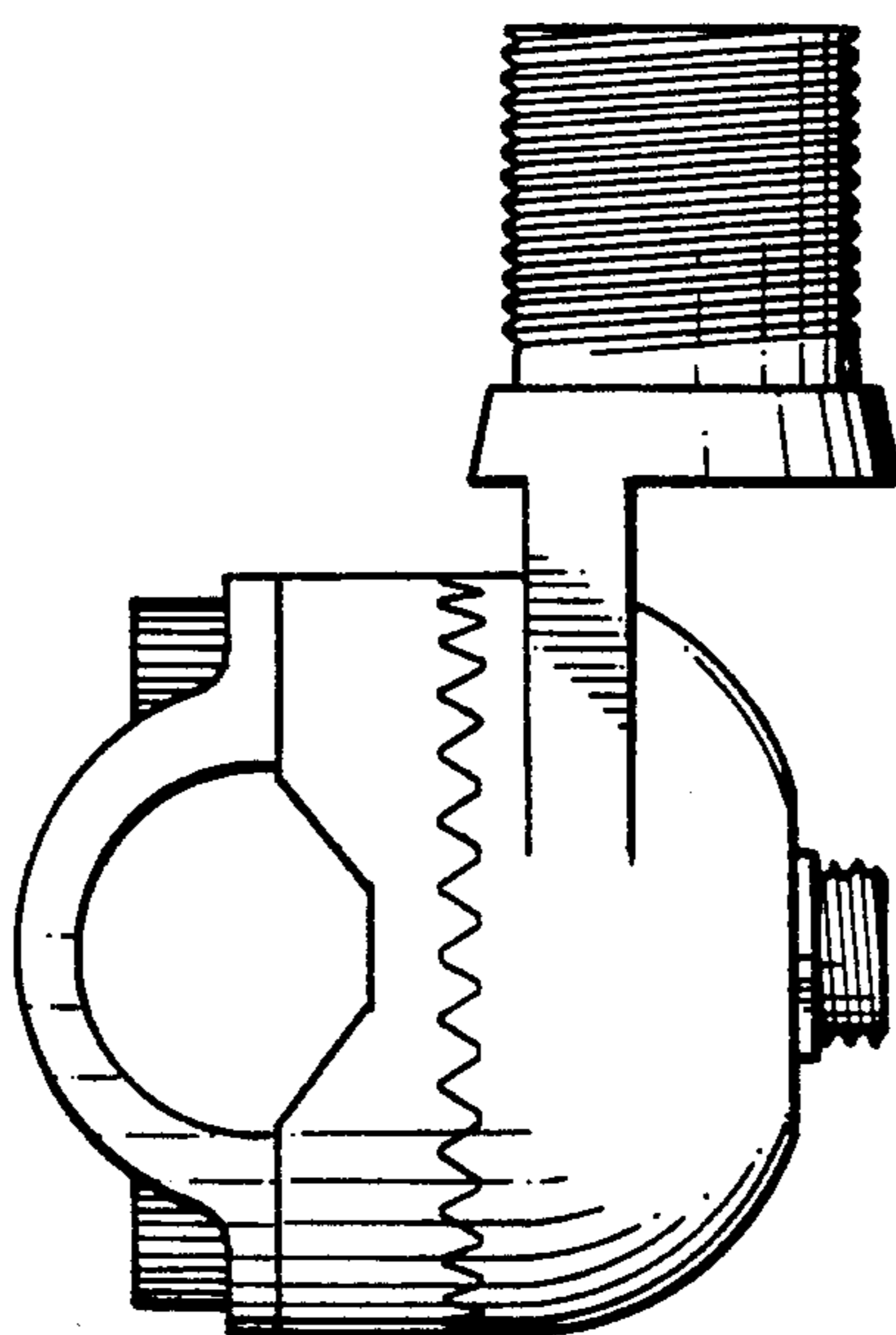


FIG. 3

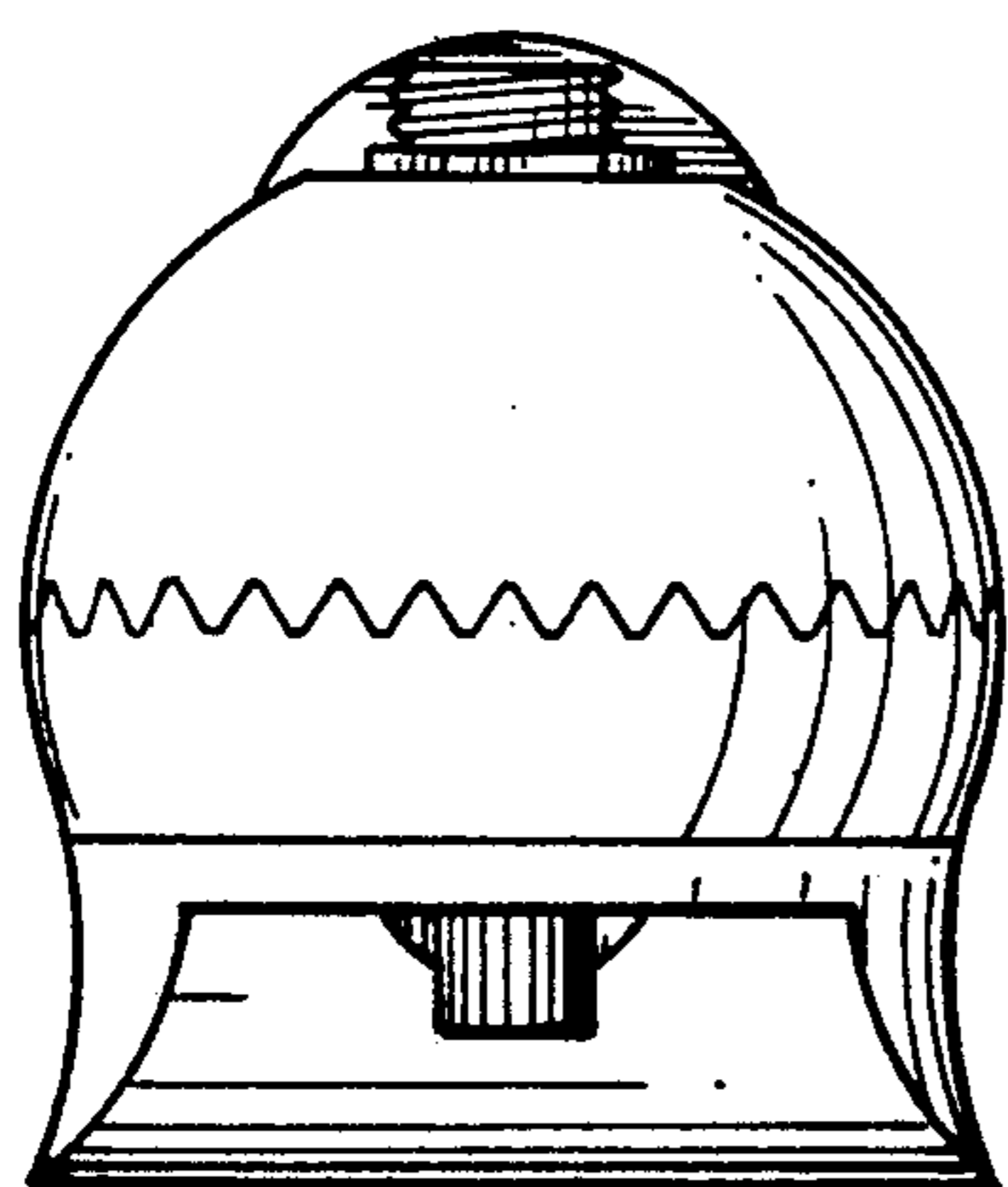


FIG. 4

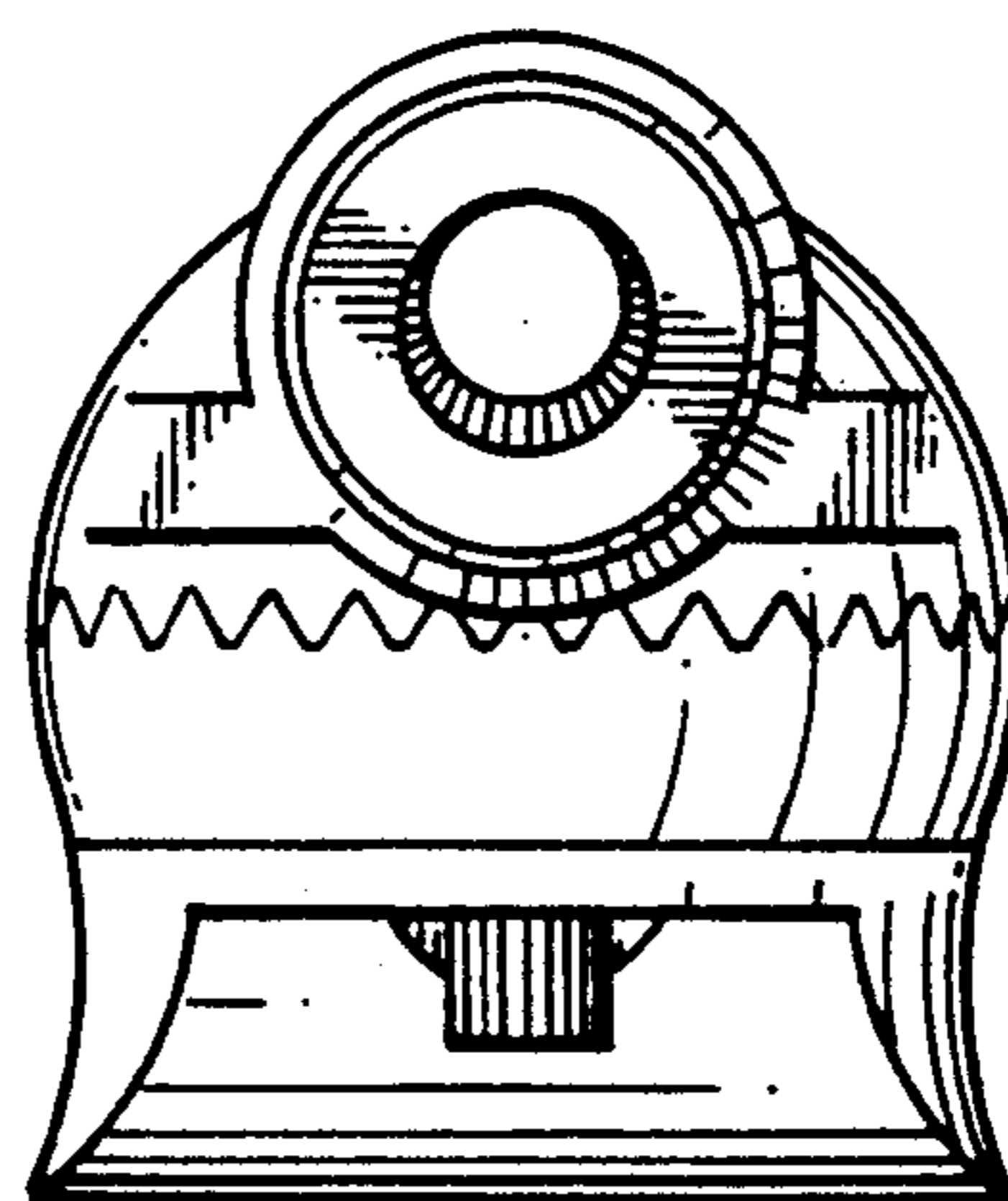


FIG. 5