



US00D330551S

United States Patent [19]

[11] Patent Number: **Des. 330,551**

Thacker et al.

[45] Date of Patent: **** Oct. 27, 1992**

[54] **WEIGHT BENCH COMBINED
RADIO/TELEPHONE SET**

2,475,656 7/1949 Bidak D21/196 X
4,341,378 7/1982 Agyagos D21/191 X

[76] Inventors: **Scott D. Thacker**, Rte. #7, Box 285
#15, Laredo, Tex. 78041; **Samuel
Rubio**, 1410 Wildrose, Laredo, Tex.
78044

OTHER PUBLICATIONS

Washington Post, Mar. 30, 1970: Advertisement: ①
Rowing Exerciser; ② Exercisers for Waistline, Thighs,
Calves, Arms & Upper Torso.

[**] Term: **14 Years**

Primary Examiner—Horace B. Fay, Jr.
Attorney, Agent, or Firm—Gunn, Lee & Miller

[21] Appl. No.: **766,150**

[57] CLAIM

[22] Filed: **Sep. 27, 1991**

The ornamental design of a weight bench combined
radio/telephone set, as shown and described.

[52] U.S. Cl. **D14/143; D21/191**

[58] Field of Search **D14/143; D21/191, 195,
D21/196; 379/454**

DESCRIPTION

[56] References Cited

U.S. PATENT DOCUMENTS

D. 257,707 9/1980 MacLaren-Taylor D21/191
D. 258,975 4/1981 Irvine D21/191 X
D. 290,148 6/1987 Wilson D21/191 X
D. 297,960 10/1988 Dyer D21/195
D. 300,048 2/1989 Grider D21/191 X
D. 321,389 11/1991 Jones D21/195

FIG. 1 is a top, front, left side perspective view of a
weight bench combined radio/telephone set showing
my new design;

FIG. 2 is a top plan view thereof;

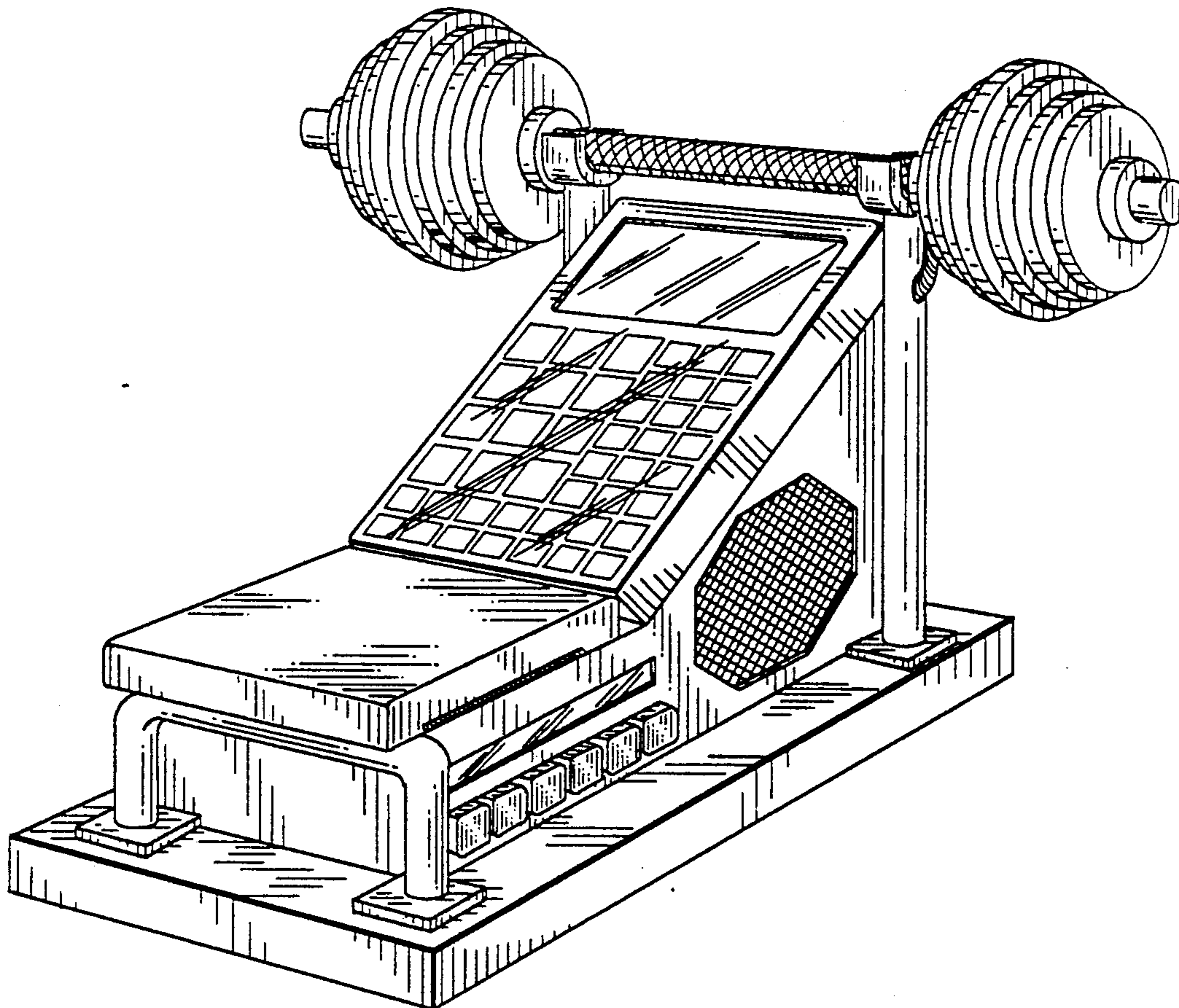
FIG. 3 is a front elevation view thereof;

FIG. 4 is a left side elevation view thereof;

FIG. 5 is a right side elevation view thereof;

FIG. 6 is a rear elevation view thereof; and,

FIG. 7 is a bottom plan view thereof.



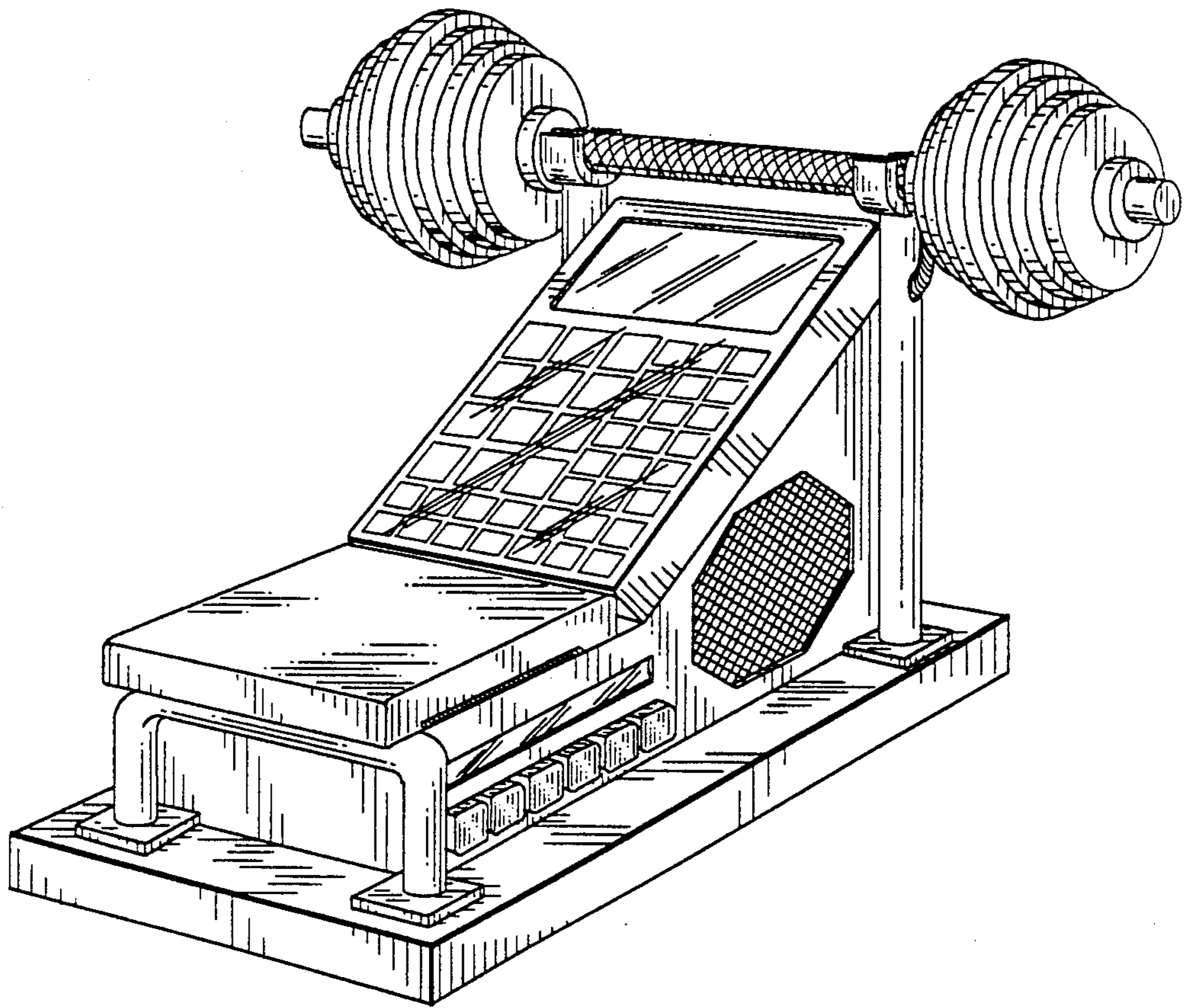


Fig. 1

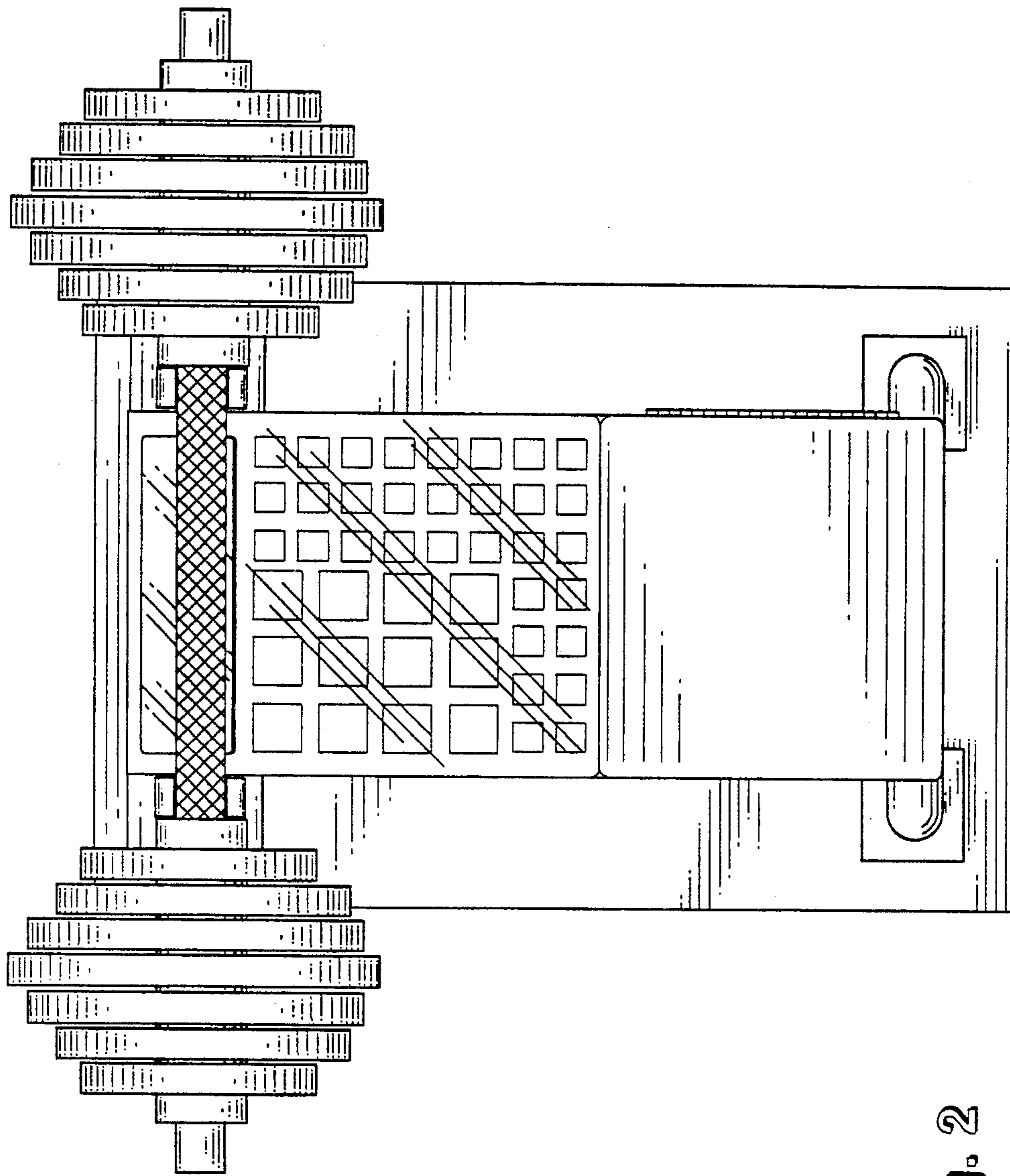


Fig. 2

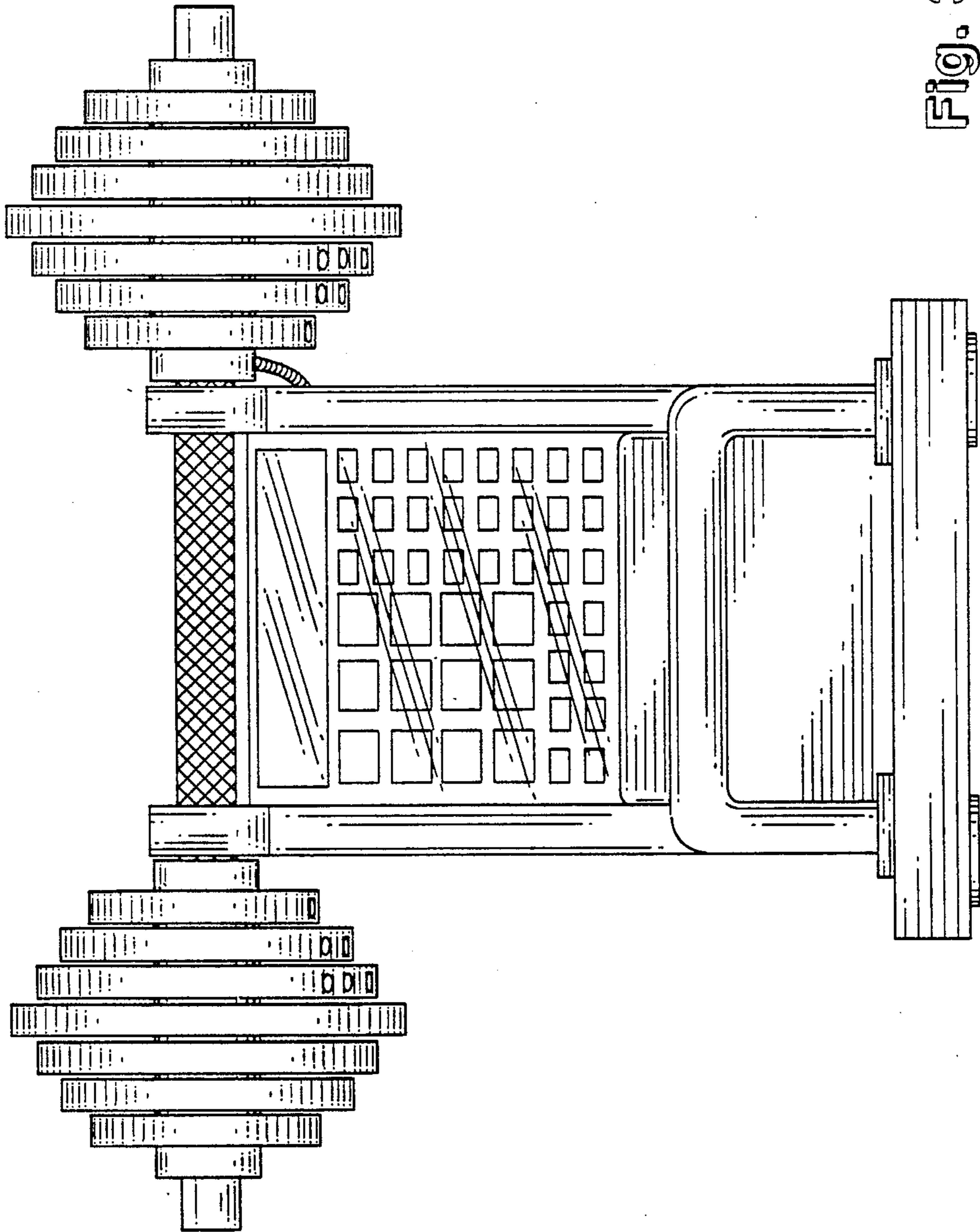


Fig. 3

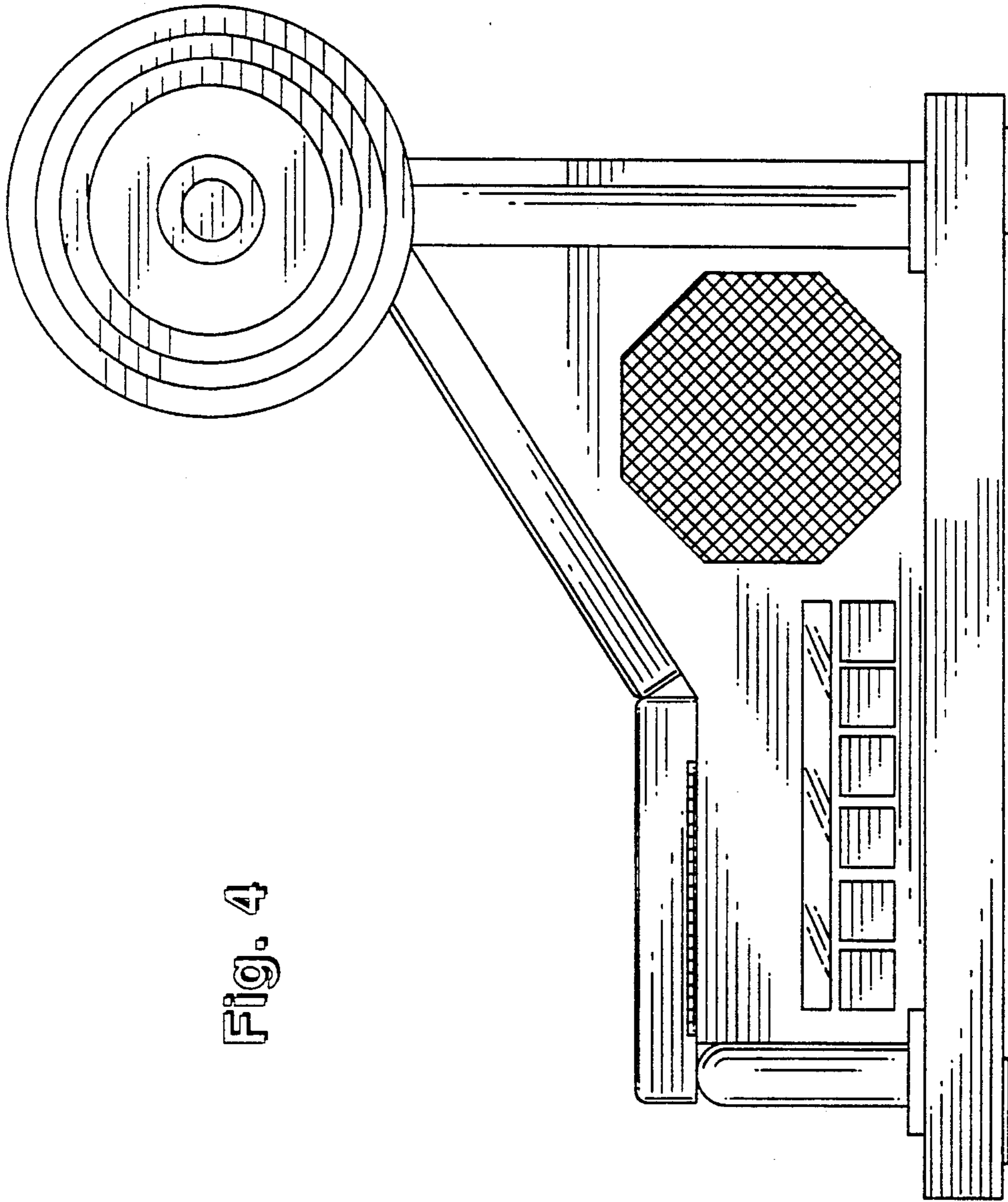
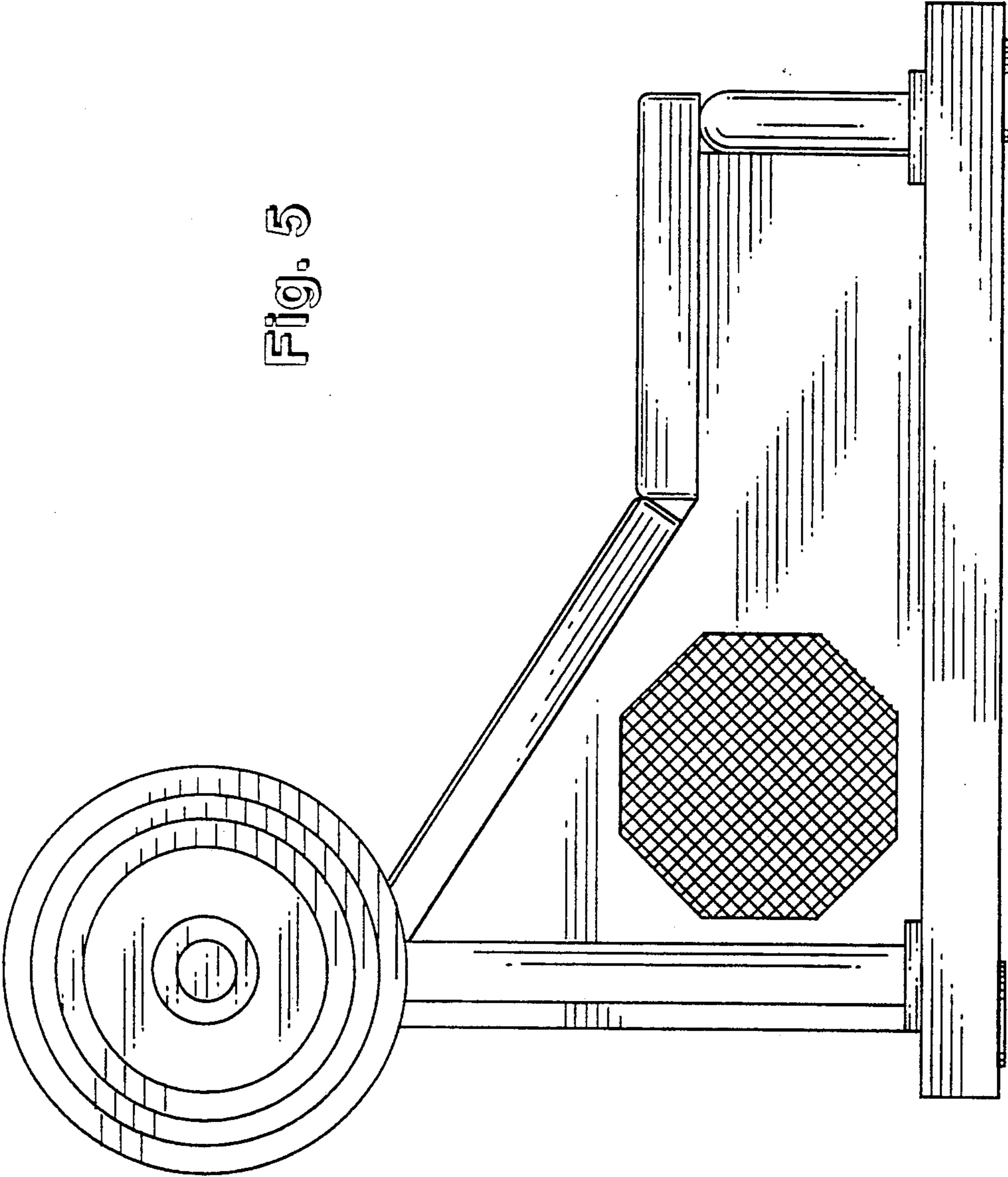


Fig. 4

Fig. 5



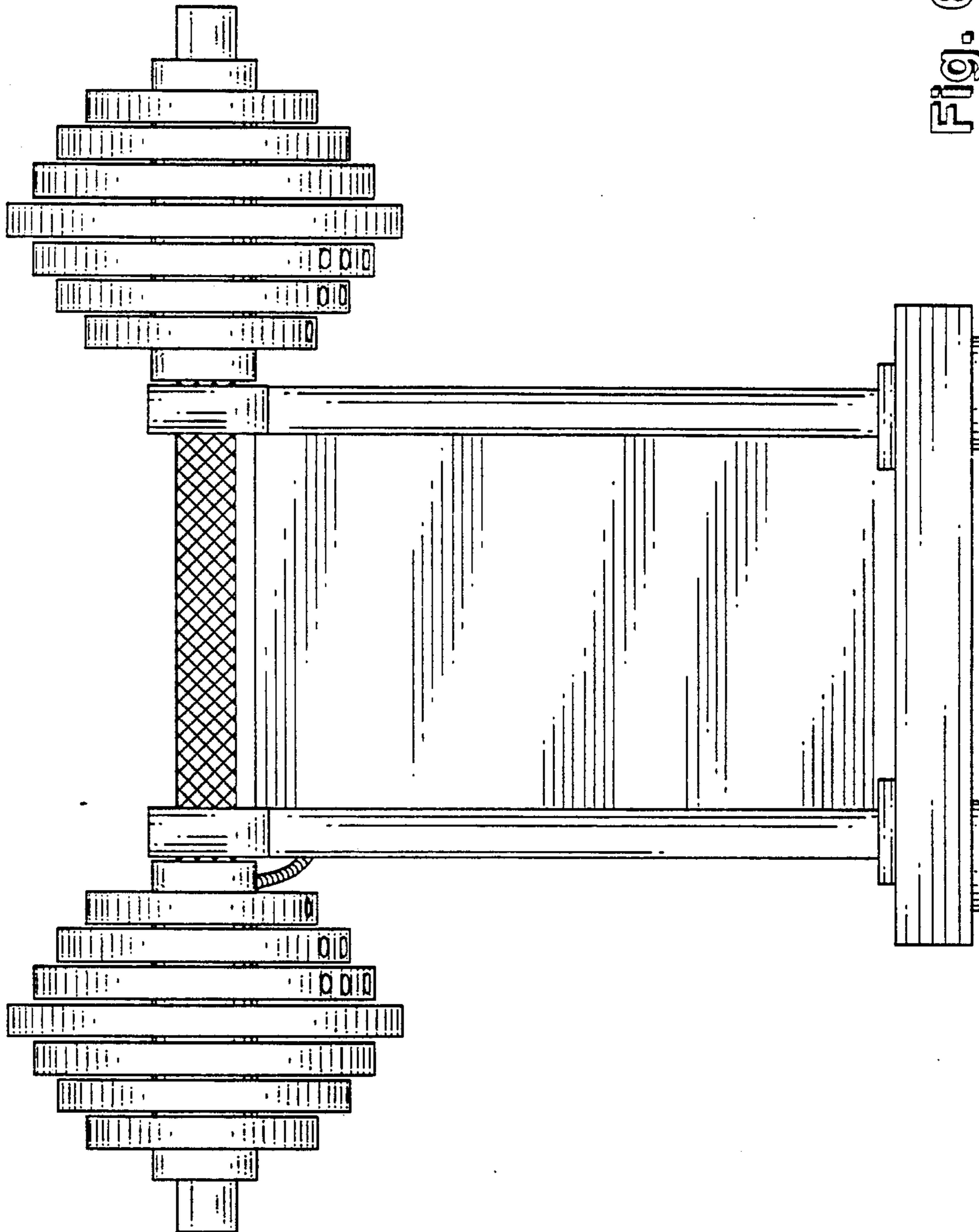


Fig. 6

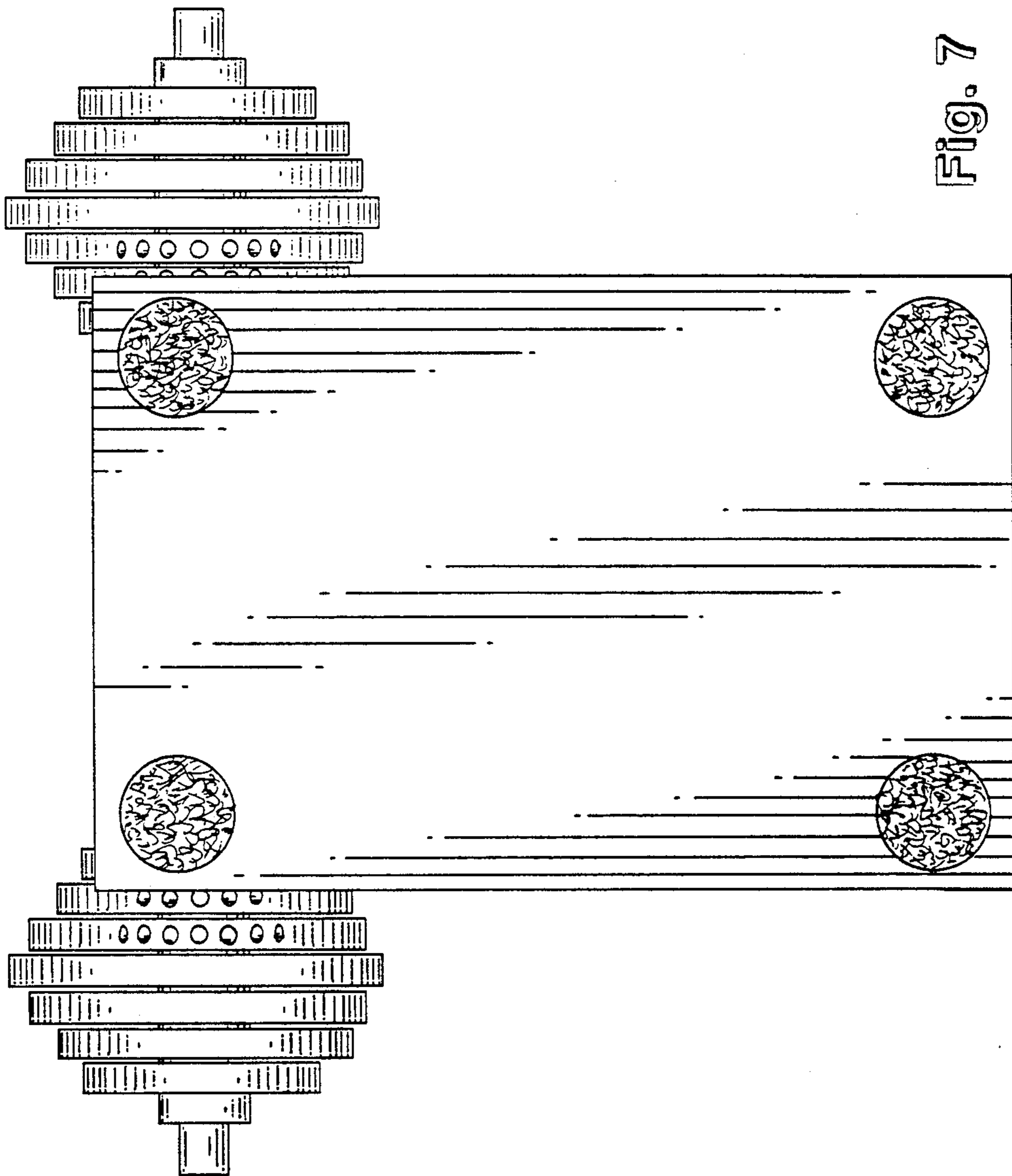


Fig. 7