



US00D330550S

United States Patent [19]

[11] Patent Number: **Des. 330,550**

Takahashi

[45] Date of Patent: **** Oct. 27, 1992**

[54] **PHOTOGRAPHIC FILM CASSETTE**

3,159,357 12/1964 Berlings 354/275
4,887,110 12/1989 Harvey 354/275

[75] Inventor: **Koichi Takahashi, Kanagawa, Japan**

Primary Examiner—Bernard Ansher
Assistant Examiner—Adir Aronovich
Attorney, Agent, or Firm—Young & Thompson

[73] Assignee: **Fuji Photo Film Co., Ltd., Kanagawa, Japan**

[**] Term: **14 Years**

[57] **CLAIM**

[21] Appl. No.: **513,580**

The ornamental design for a photographic film cassette, as shown and described.

[22] Filed: **Apr. 23, 1990**

DESCRIPTION

[30] **Foreign Application Priority Data**

Oct. 23, 1989 [JP] Japan 1-38609

[52] U.S. Cl. **D14/121; D16/250**

[58] Field of Search **D14/121; D16/237, 250; 242/71, 71.1; 354/275**

FIG. 1 is a perspective view of a photographic film cassette showing my new design;
FIG. 2 is a perspective view thereof from the side opposite that shown in FIG. 1;
FIG. 3 is an elevational view thereof;
FIG. 4 is an elevational view thereof from the side opposite that shown in FIG. 3;
FIG. 5 is a top plan view thereof;
FIG. 6 is a bottom plan view thereof;
FIG. 7 is a left side elevational view thereof; and,
FIG. 8 is a right side elevational view thereof.

[56] **References Cited**

U.S. PATENT DOCUMENTS

D. 200,505 3/1965 Zimmerman D14/121
2,731,894 1/1956 Leitz et al. 242/71.1

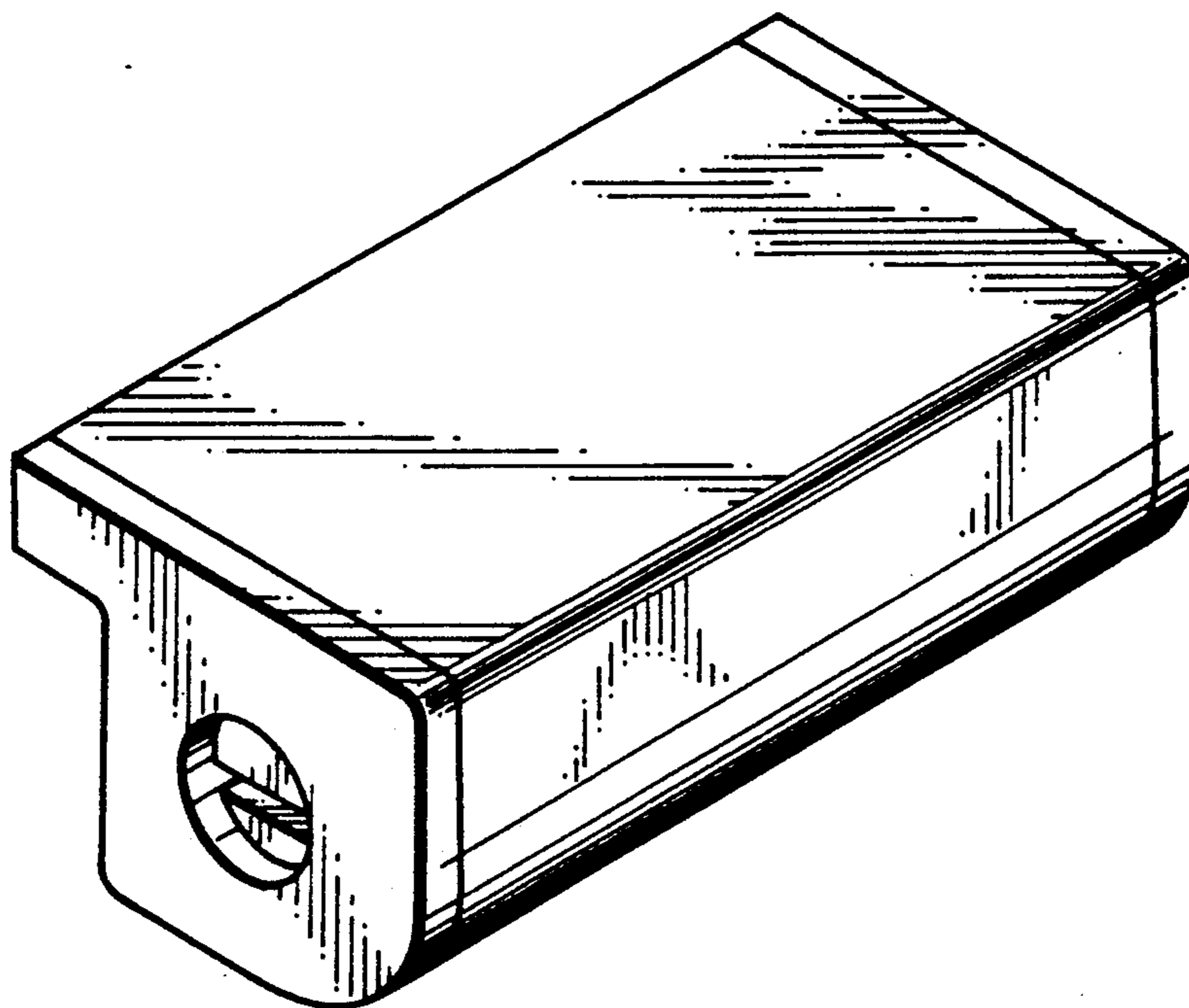


FIG. 1

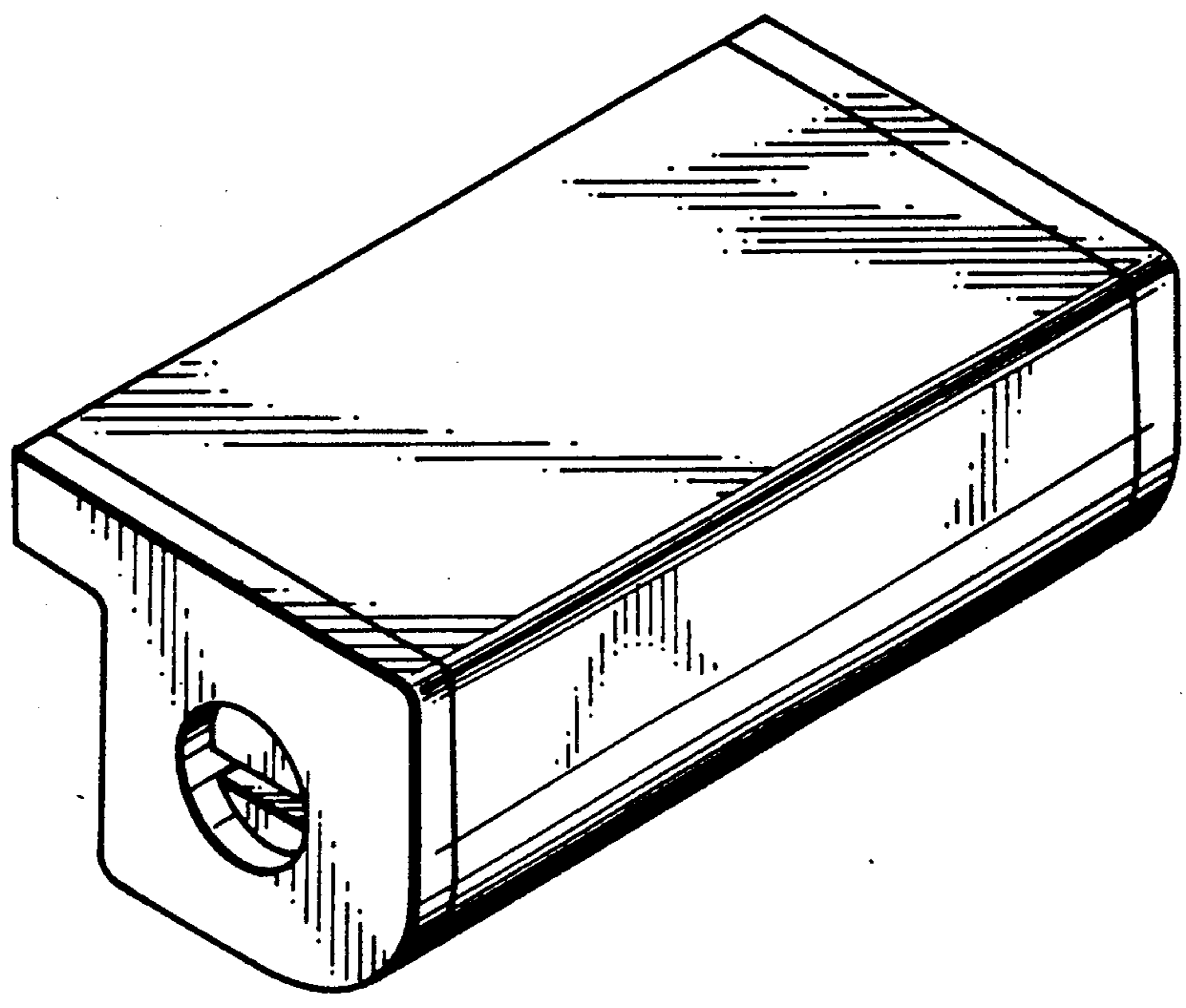


FIG. 2

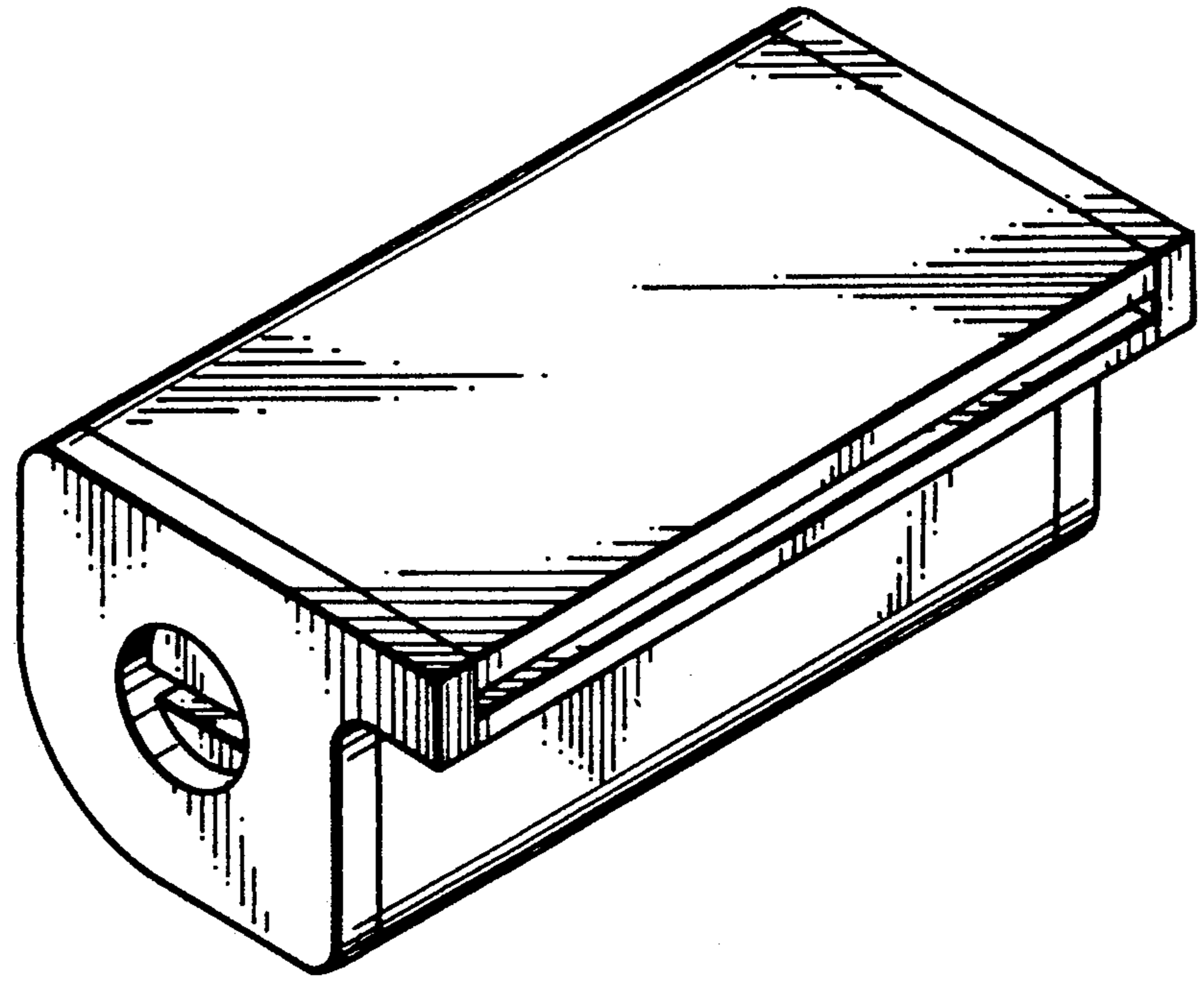


FIG. 3

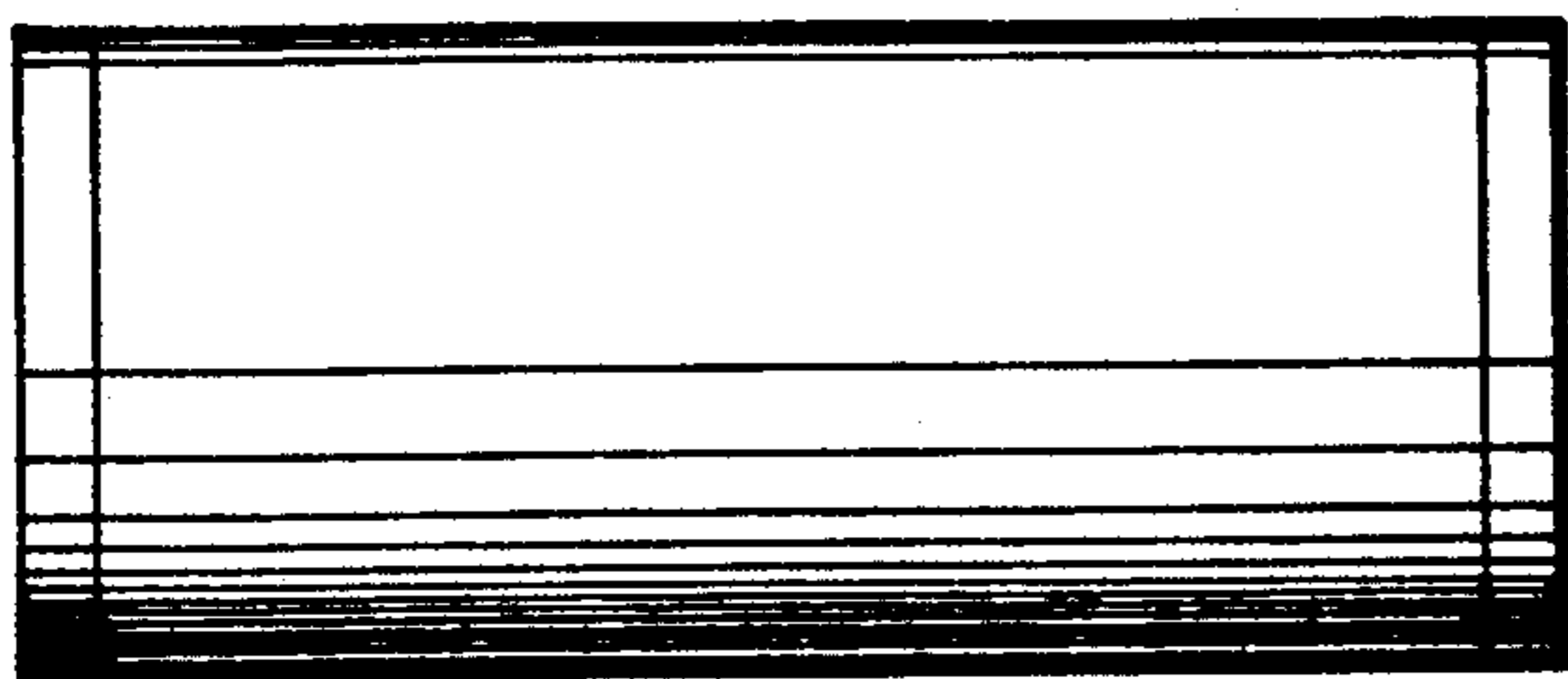


FIG. 7

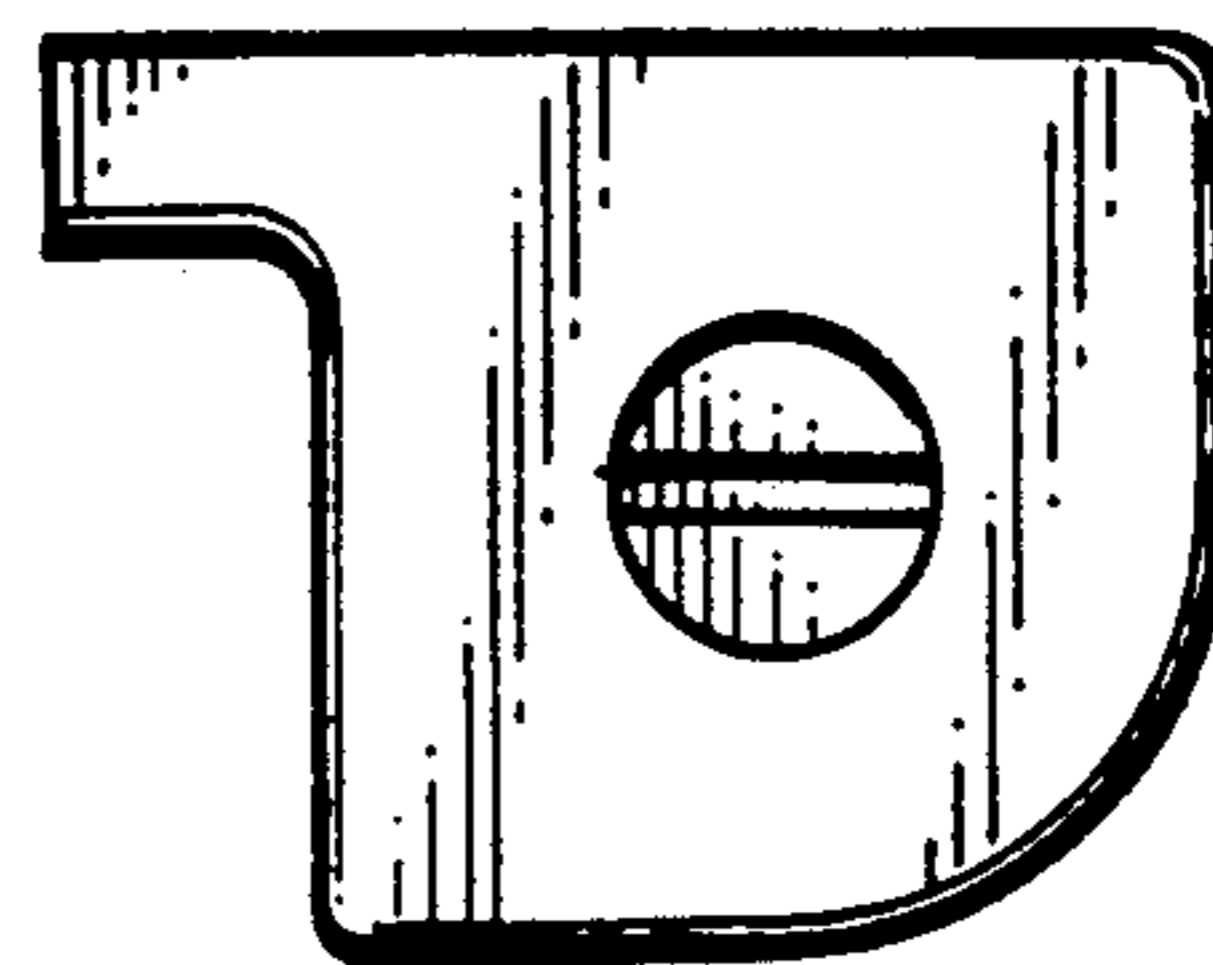


FIG. 4

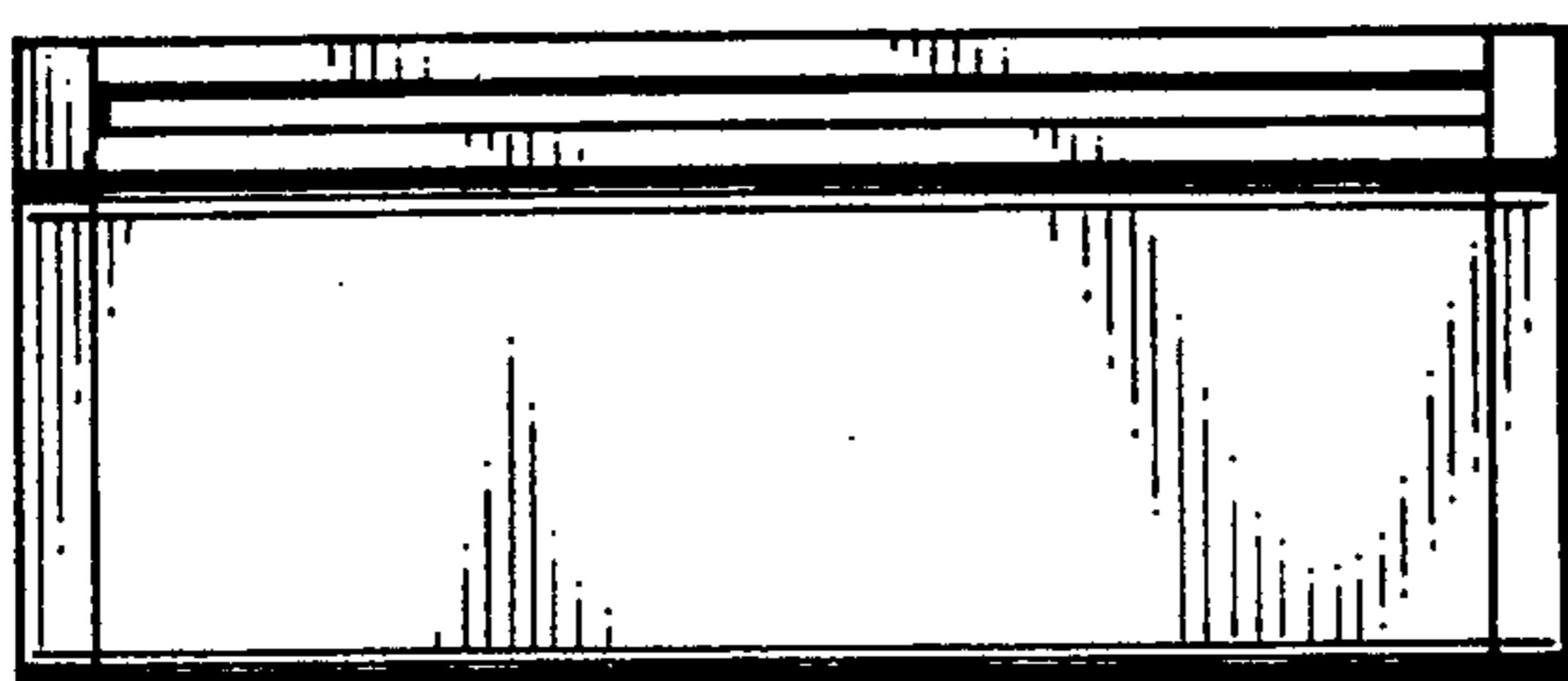


FIG. 8

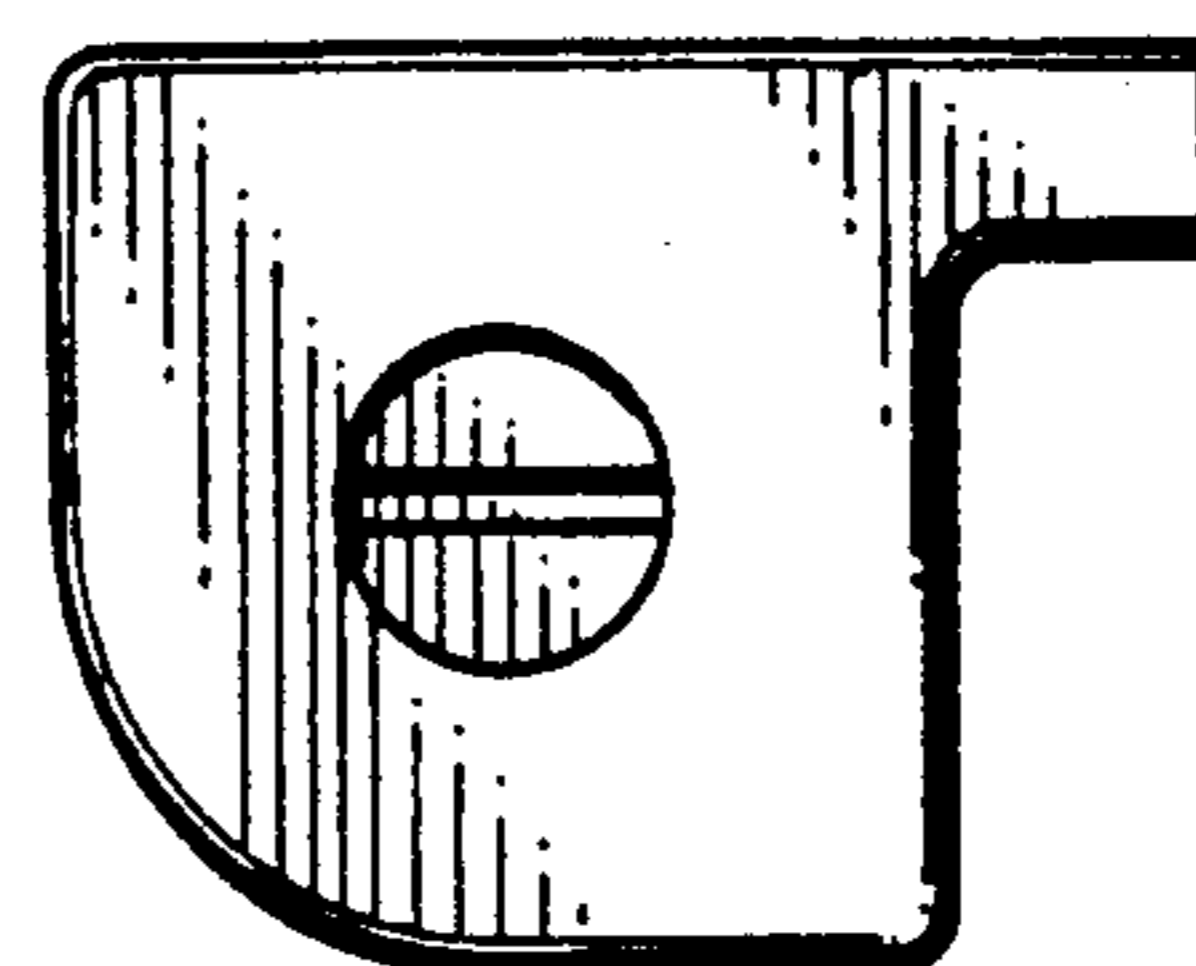


FIG. 5

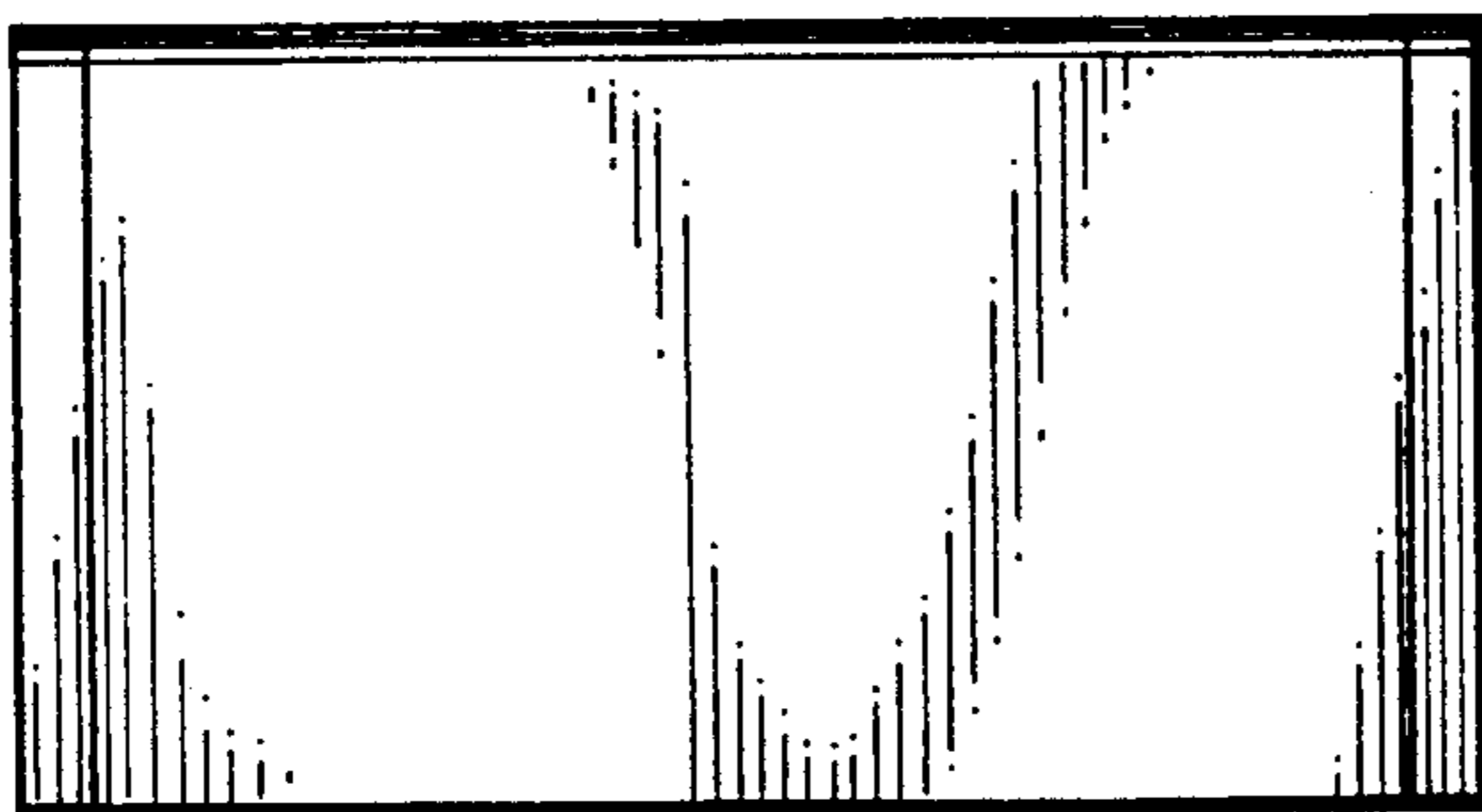


FIG. 6

