



US00D330549S

# United States Patent [19]

Takahashi

[11] Patent Number: **Des. 330,549**

[45] Date of Patent: **\*\* Oct. 27, 1992**

[54] **PHOTOGRAPHIC FILM CASSETTE**

[75] Inventor: **Koichi Takahashi, Kanagawa, Japan**

[73] Assignee: **Fuji Photo Film Co., Ltd., Kanagawa, Japan**

[\*\*] Term: **14 Years**

[21] Appl. No.: **513,579**

[22] Filed: **Apr. 23, 1990**

[30] **Foreign Application Priority Data**

Oct. 23, 1989 [JP] Japan ..... 1-38608

[52] U.S. Cl. .... **D14/121; D16/250**

[58] Field of Search ..... **D14/121; D16/237, 250; 242/71, 71.1; 354/275**

[56] **References Cited**

**U.S. PATENT DOCUMENTS**

D. 211,134	5/1968	Robbins et al. ....	D14/121
D. 276,439	11/1984	Raymond .....	D14/121
3,490,348	1/1970	Ariyasu et al. ....	242/71.1
4,221,479	9/1980	Harvey .....	354/275
4,962,401	10/1990	Takahashi .....	354/275

**FOREIGN PATENT DOCUMENTS**

506408 8/1937 United Kingdom ..... 354/275

*Primary Examiner*—Bernard Ansher  
*Assistant Examiner*—Adir Aronvich  
*Attorney, Agent, or Firm*—Young & Thompson

[57] **CLAIM**

The ornamental design for a photographic film cassette, as shown and described.

**DESCRIPTION**

FIG. 1 is a perspective view of a photographic film cassette showing my new design;  
FIG. 2 is a perspective view thereof from the side opposite that shown in FIG. 1;  
FIG. 3 is an elevational view thereof;  
FIG. 4 is an elevational view thereof from the side opposite that shown in FIG. 3;  
FIG. 5 is a top plan view thereof;  
FIG. 6 is a bottom plan view thereof;  
FIG. 7 is a left side elevational view thereof; and,  
FIG. 8 is a right side elevational view thereof.

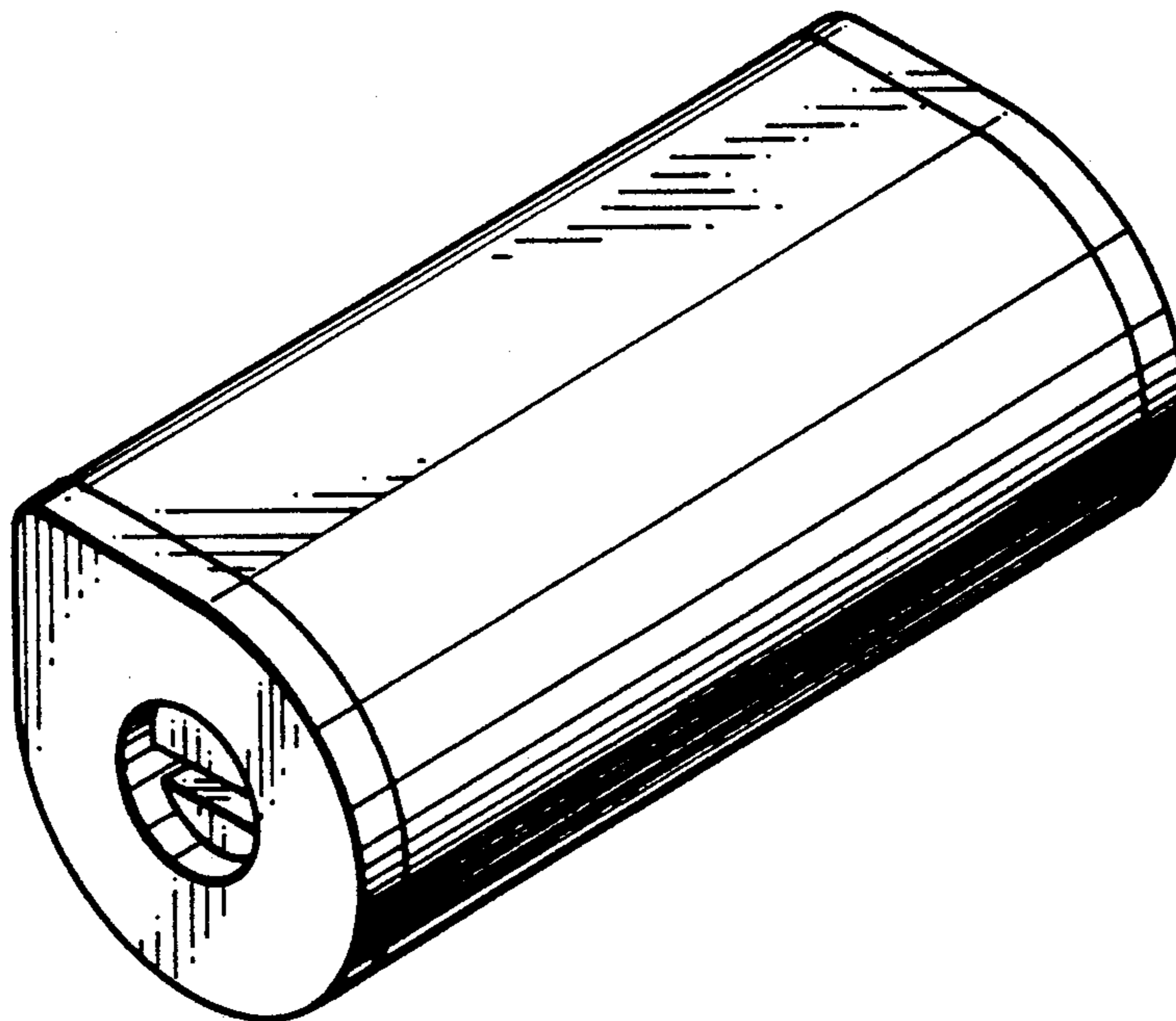


FIG. 1

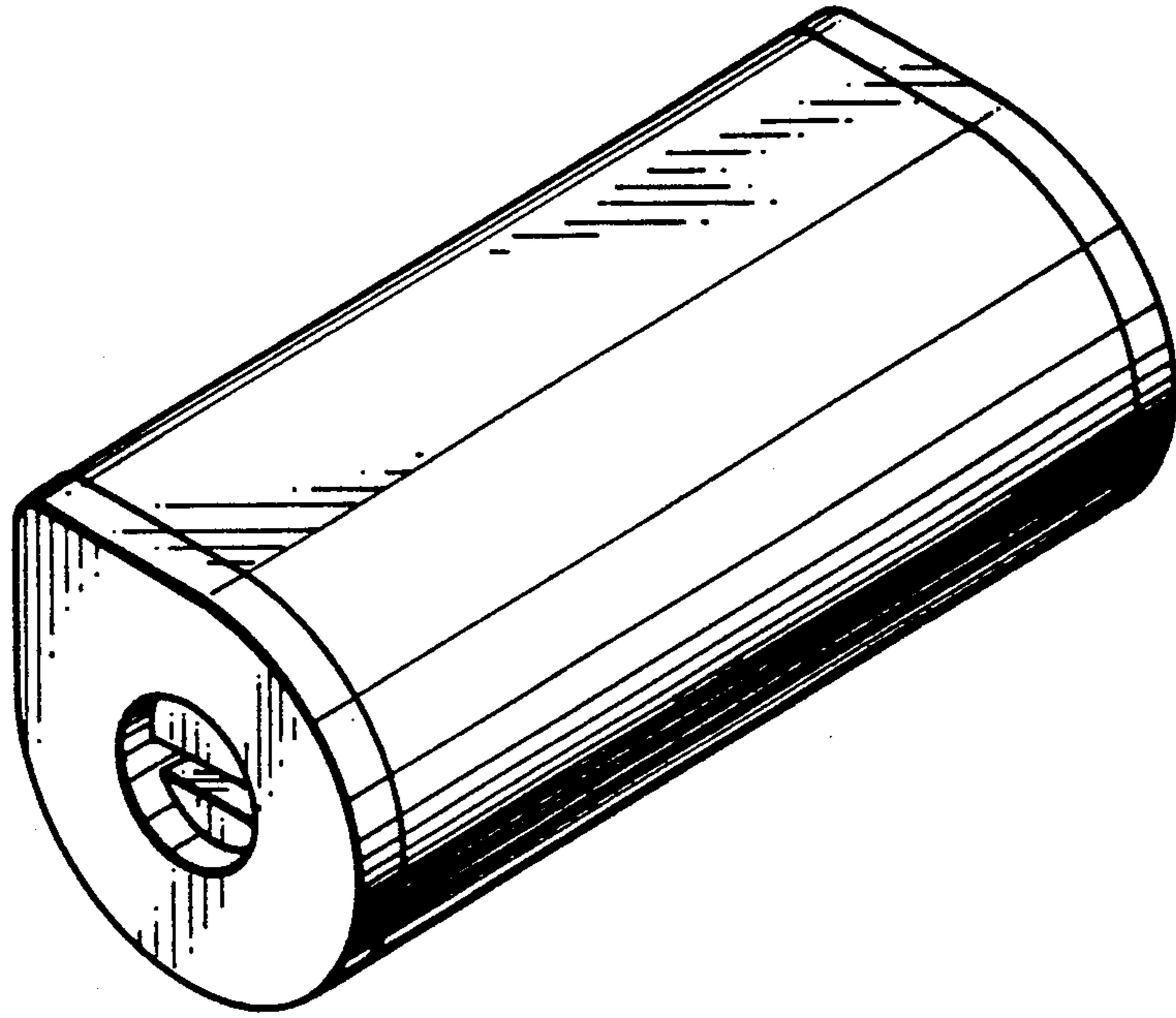


FIG. 2

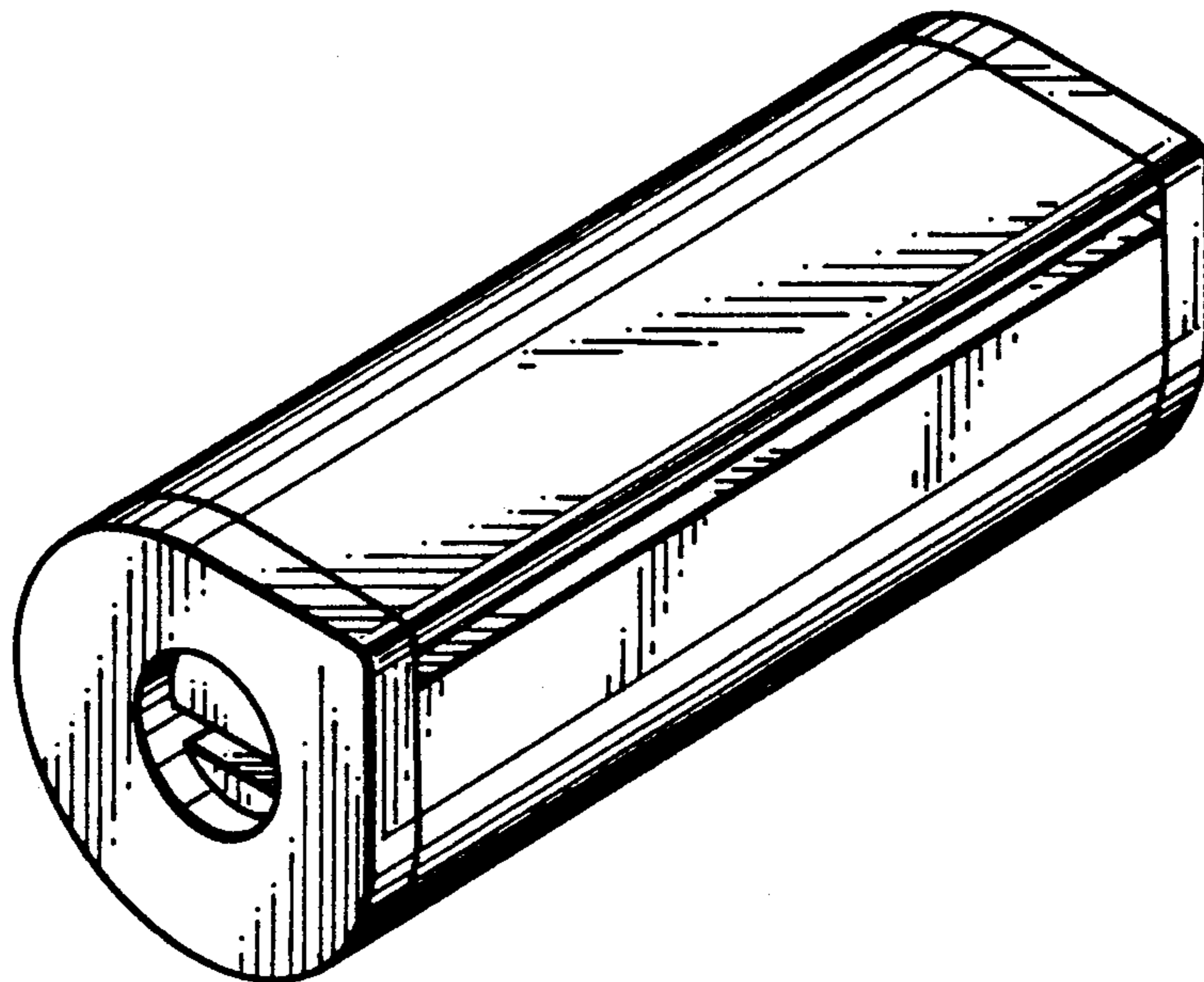


FIG. 3

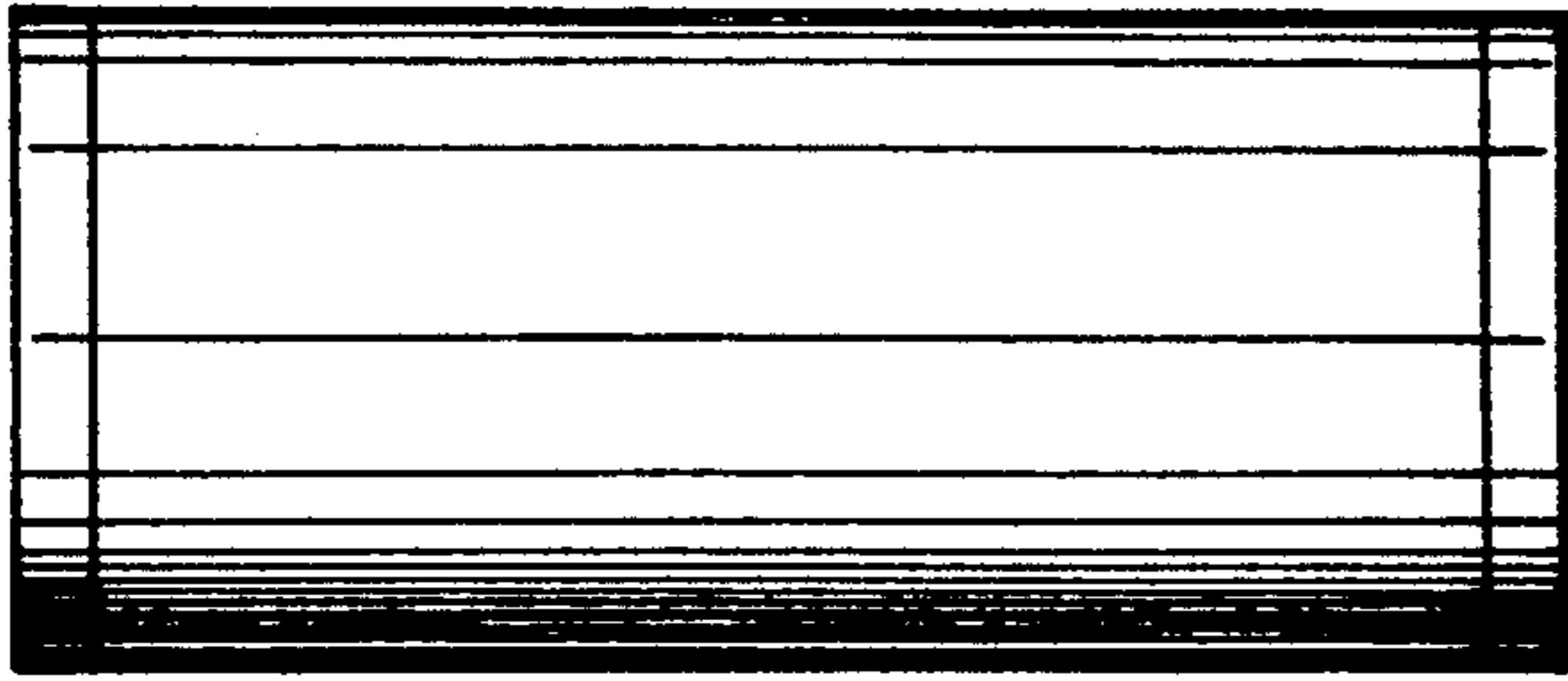


FIG. 7

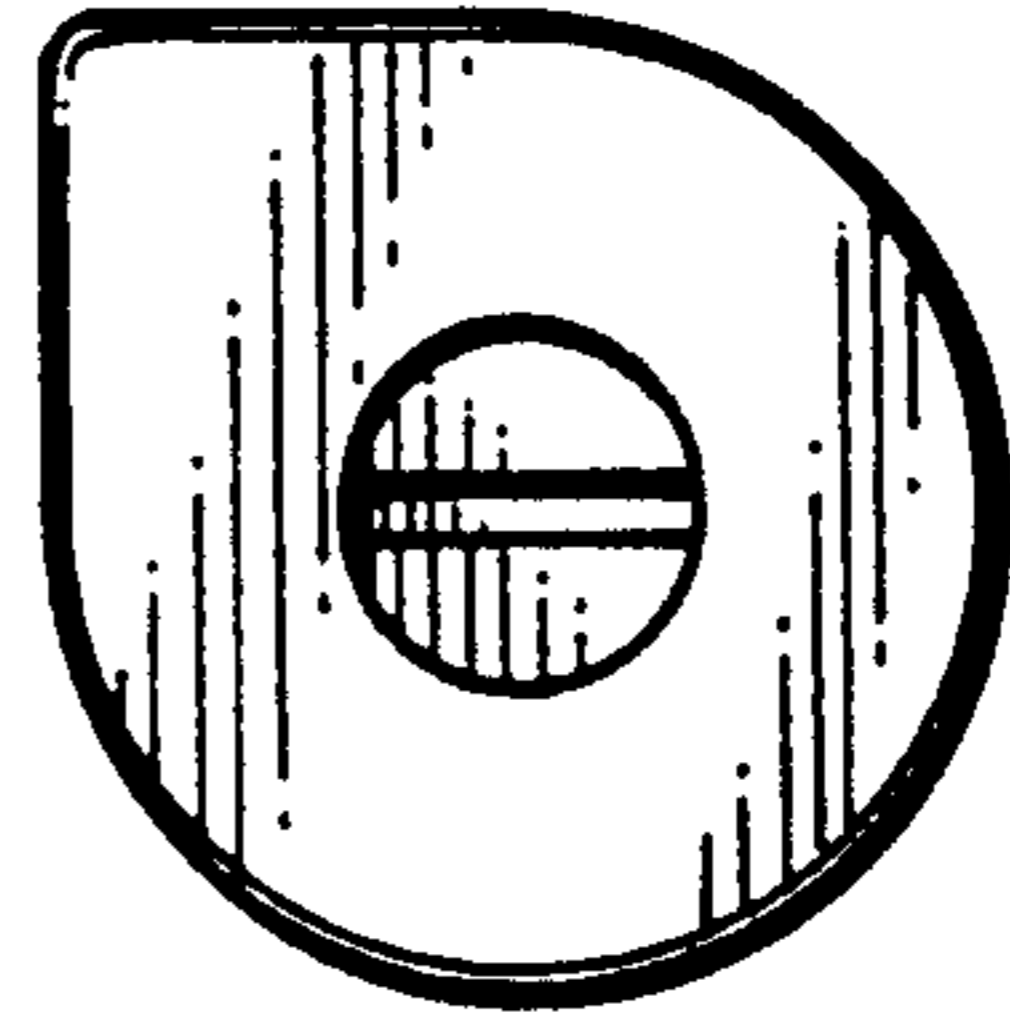


FIG. 4

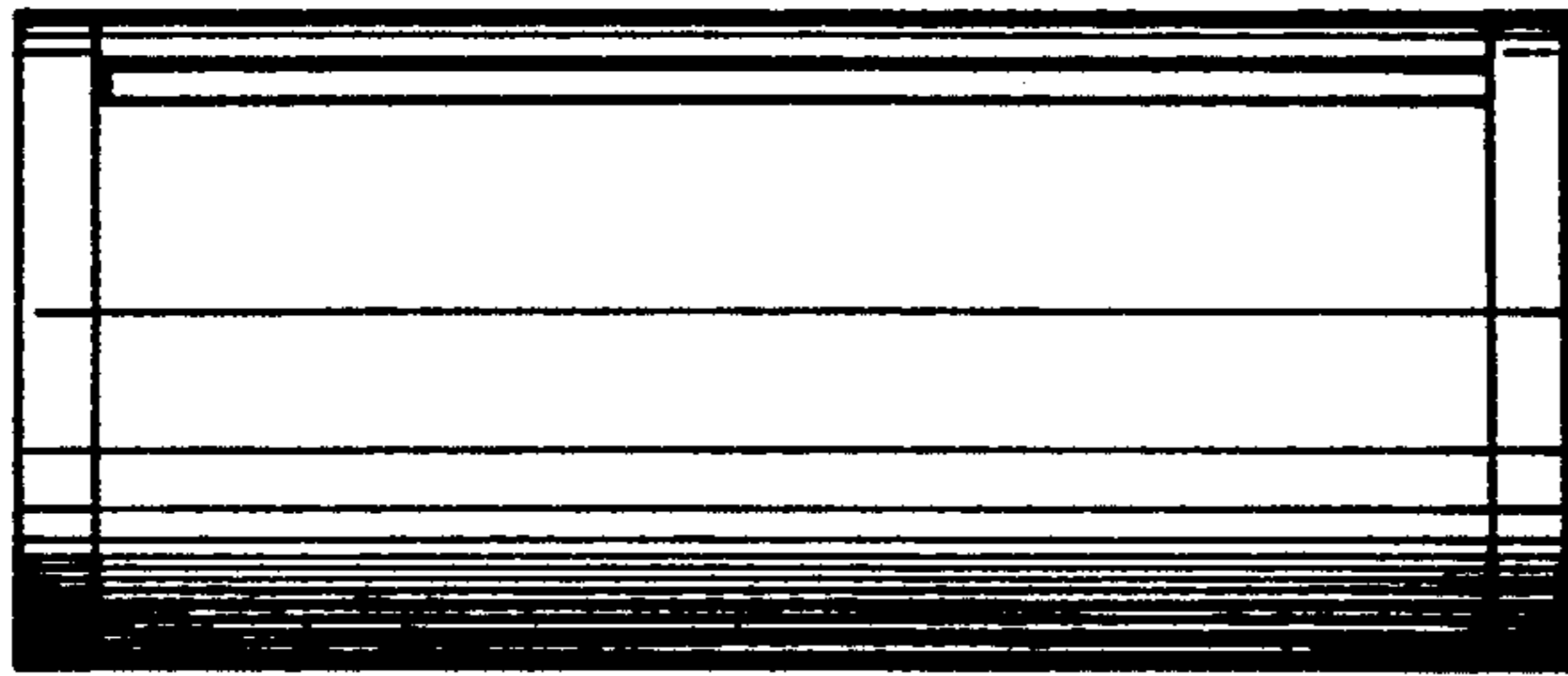


FIG. 8

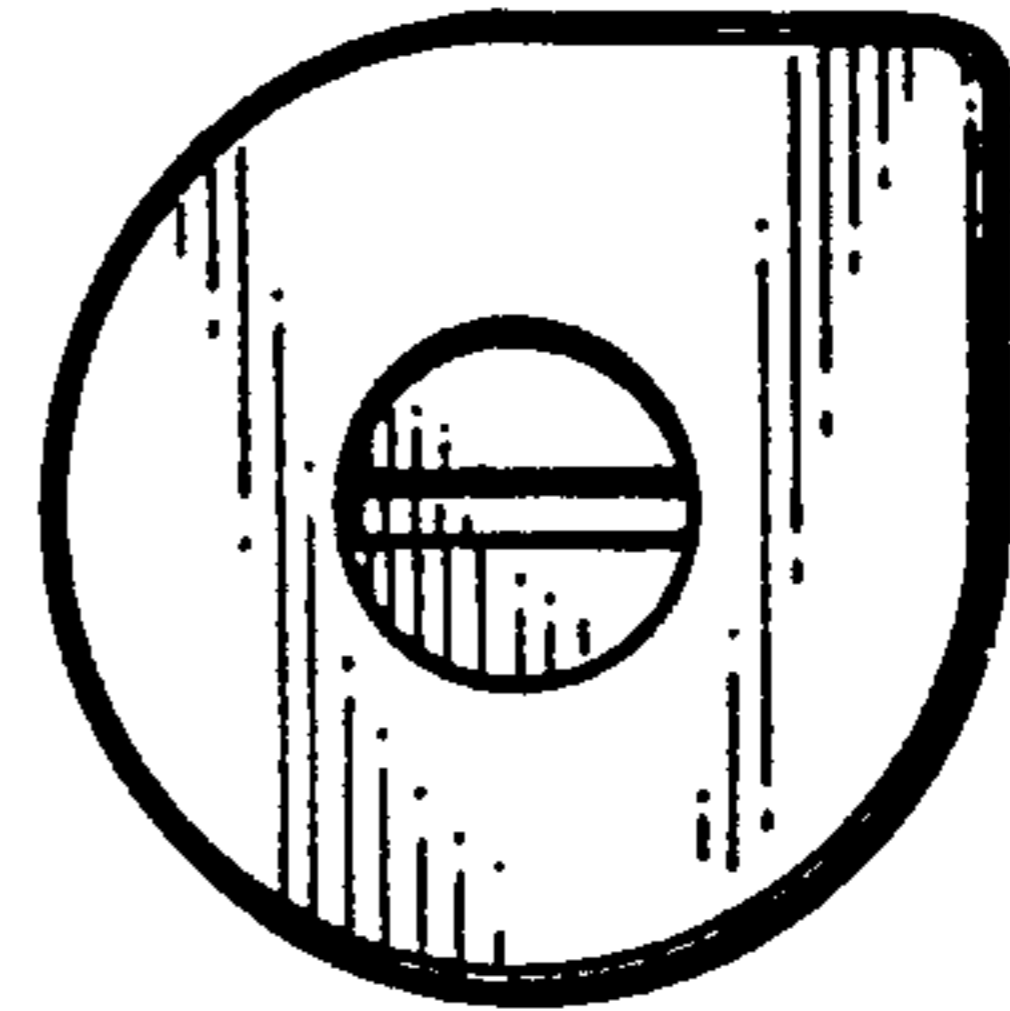


FIG. 5

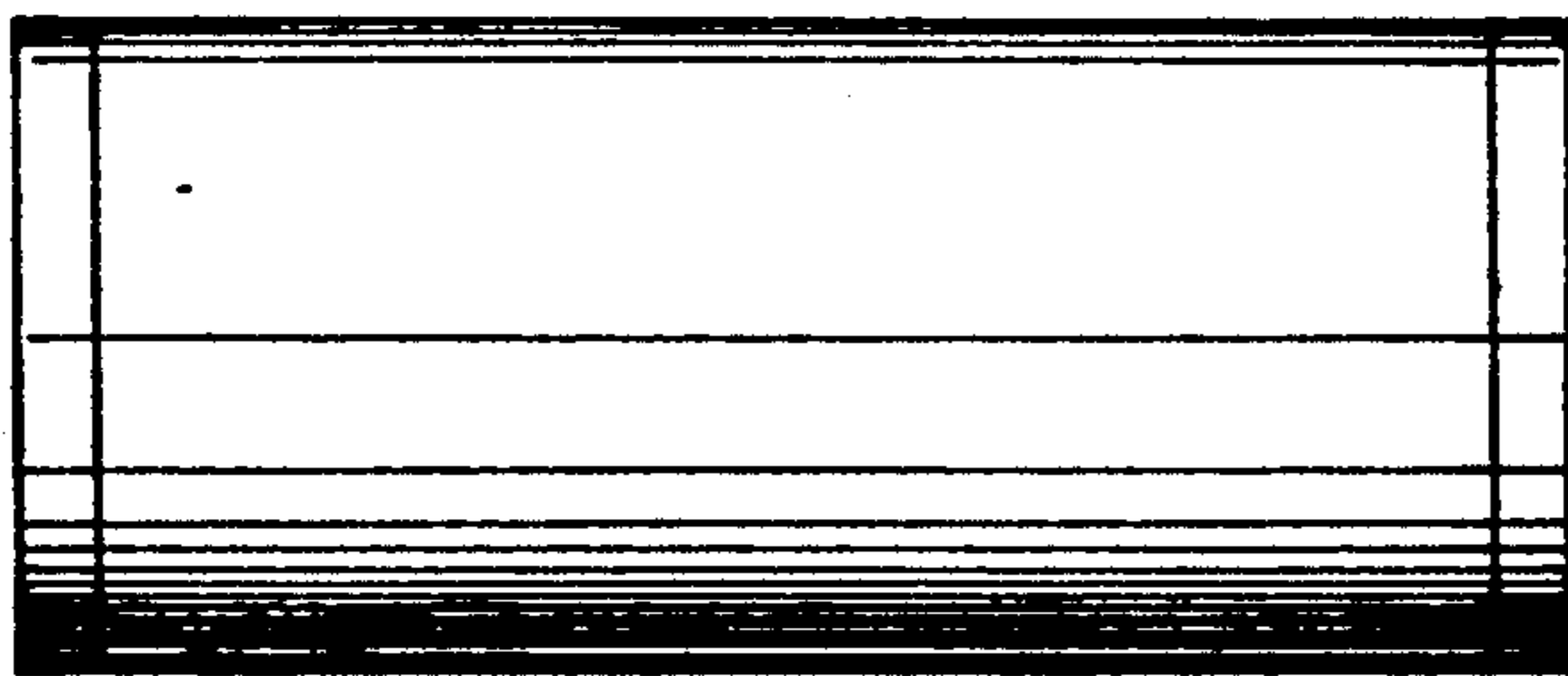


FIG. 6

