



US00D330548S

# United States Patent [19]

[11] Patent Number: **Des. 330,548**

**Takahashi**

[45] Date of Patent: **\*\* Oct. 27, 1992**

[54] **PHOTOGRAPHIC FILM CASSETTE**

[75] Inventor: **Koichi Takahashi, Kanagawa, Japan**

[73] Assignee: **Fuji Photo Film Co., Ltd., Kanagawa, Japan**

[\*\*] Term: **14 Years**

[21] Appl. No.: **513,578**

[22] Filed: **Apr. 23, 1990**

[30] **Foreign Application Priority Data**

Oct. 23, 1989 [JP] Japan ..... 1-38607

[52] U.S. Cl. .... **D14/121; D16/250**

[58] Field of Search ..... **D14/121; D16/237, 250; 354/275; 242/71, 71.1**

[56] **References Cited**

**U.S. PATENT DOCUMENTS**

- D. 211,134 5/1968 Robbins et al. .... D14/121
- D. 276,439 11/1984 Raymond ..... D14/121
- 4,221,479 9/1980 Harvey ..... 354/275
- 4,962,401 10/1990 Takahashi ..... 354/275

**FOREIGN PATENT DOCUMENTS**

3802525 8/1988 Fed. Rep. of Germany ..... 354/275

*Primary Examiner*—Bernard Ansher  
*Assistant Examiner*—Adir Aronovich  
*Attorney, Agent, or Firm*—Young & Thompson

[57] **CLAIM**

The ornamental design for a photographic film cassette, as shown and described.

**DESCRIPTION**

FIG. 1 is a perspective view of a photographic film cassette showing my new design; FIG. 2 is a perspective view thereof from the side opposite that shown in FIG. 1; FIG. 3 is an elevational view thereof; FIG. 4 is an elevational view thereof from the side opposite that shown in FIG. 3; FIG. 5 is a top plan view thereof; FIG. 6 is a bottom plan view thereof; FIG. 7 is a left side elevational view thereof; and, FIG. 8 is a right side elevational view thereof.

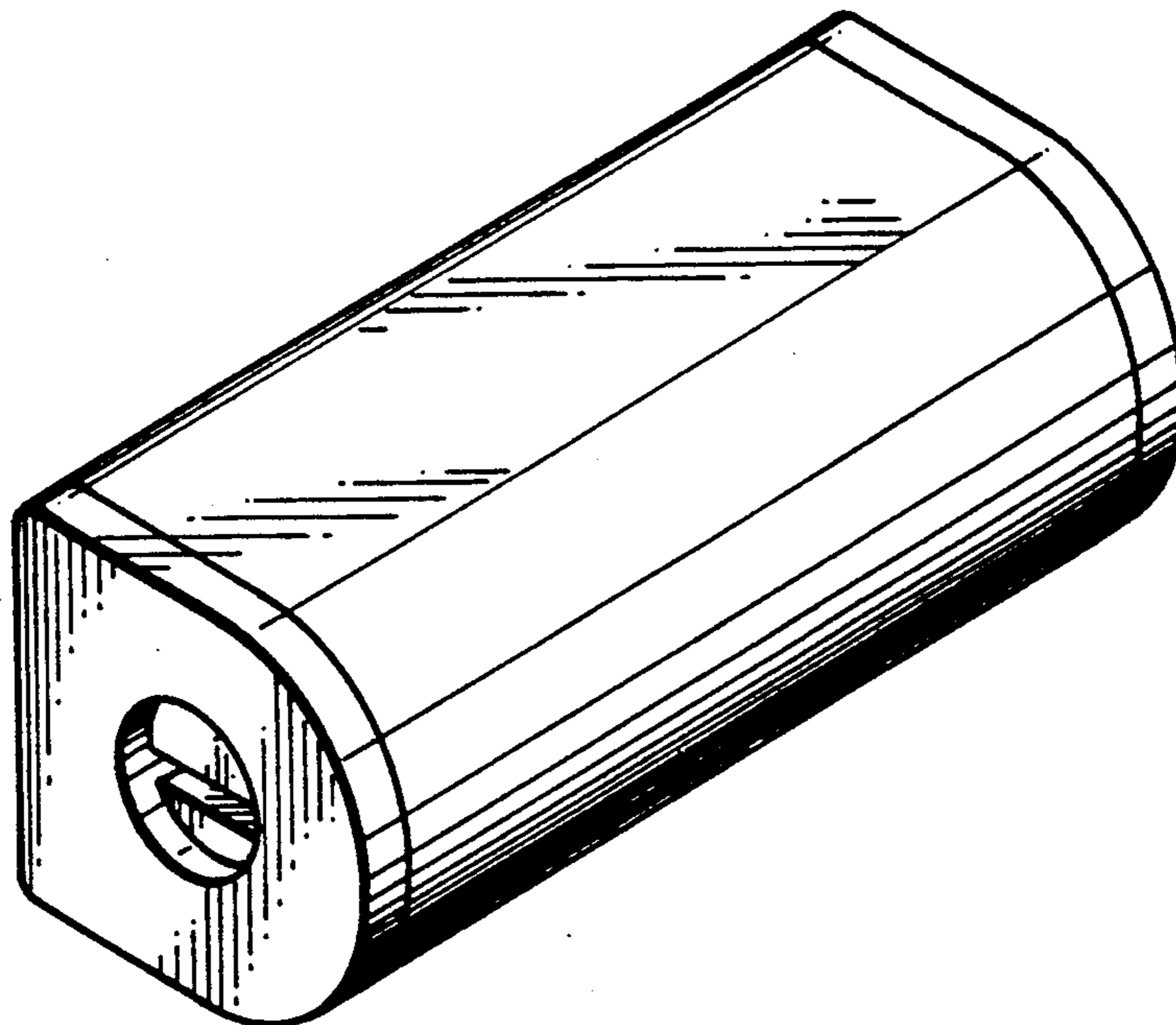


FIG. 1

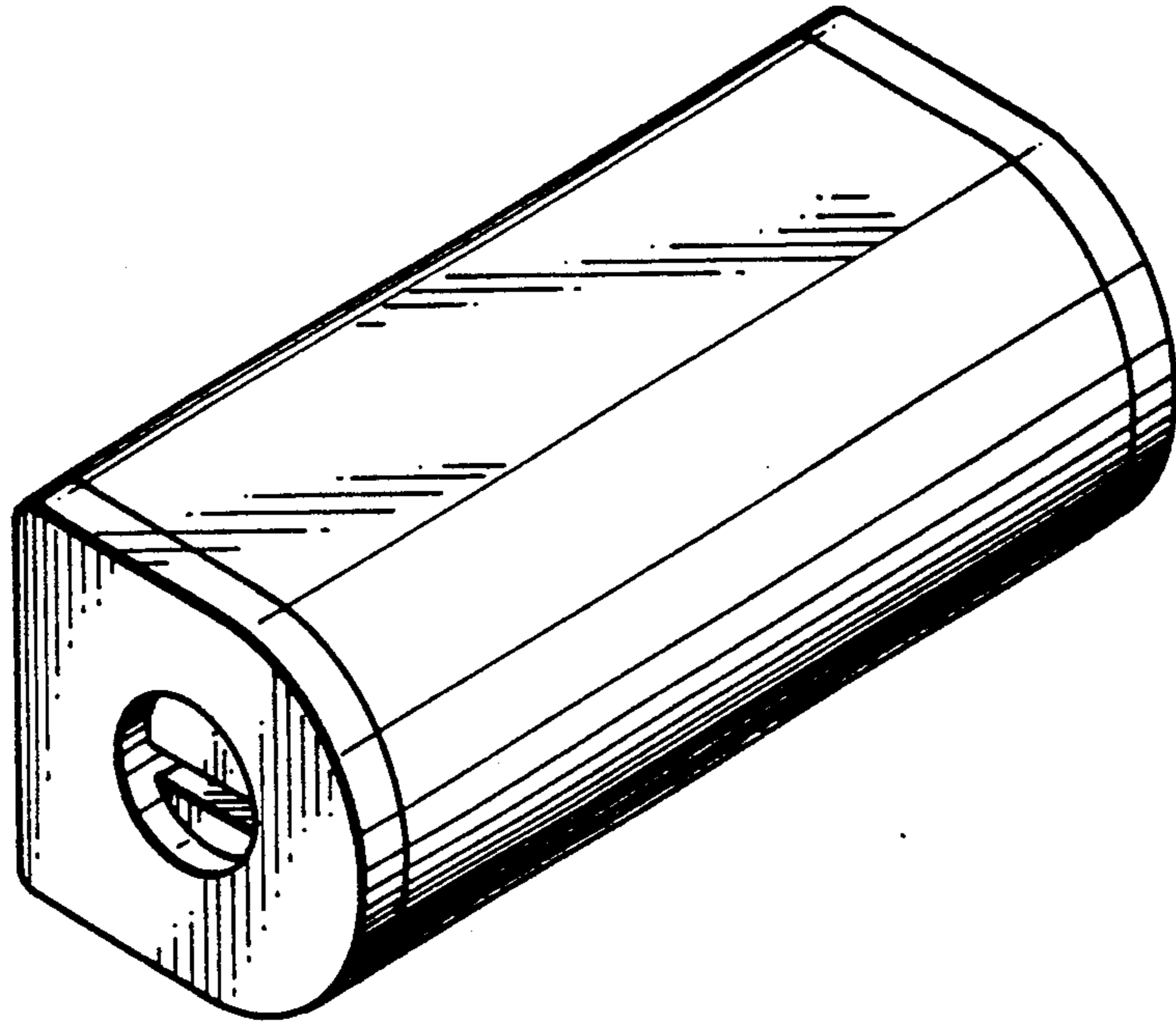


FIG. 2

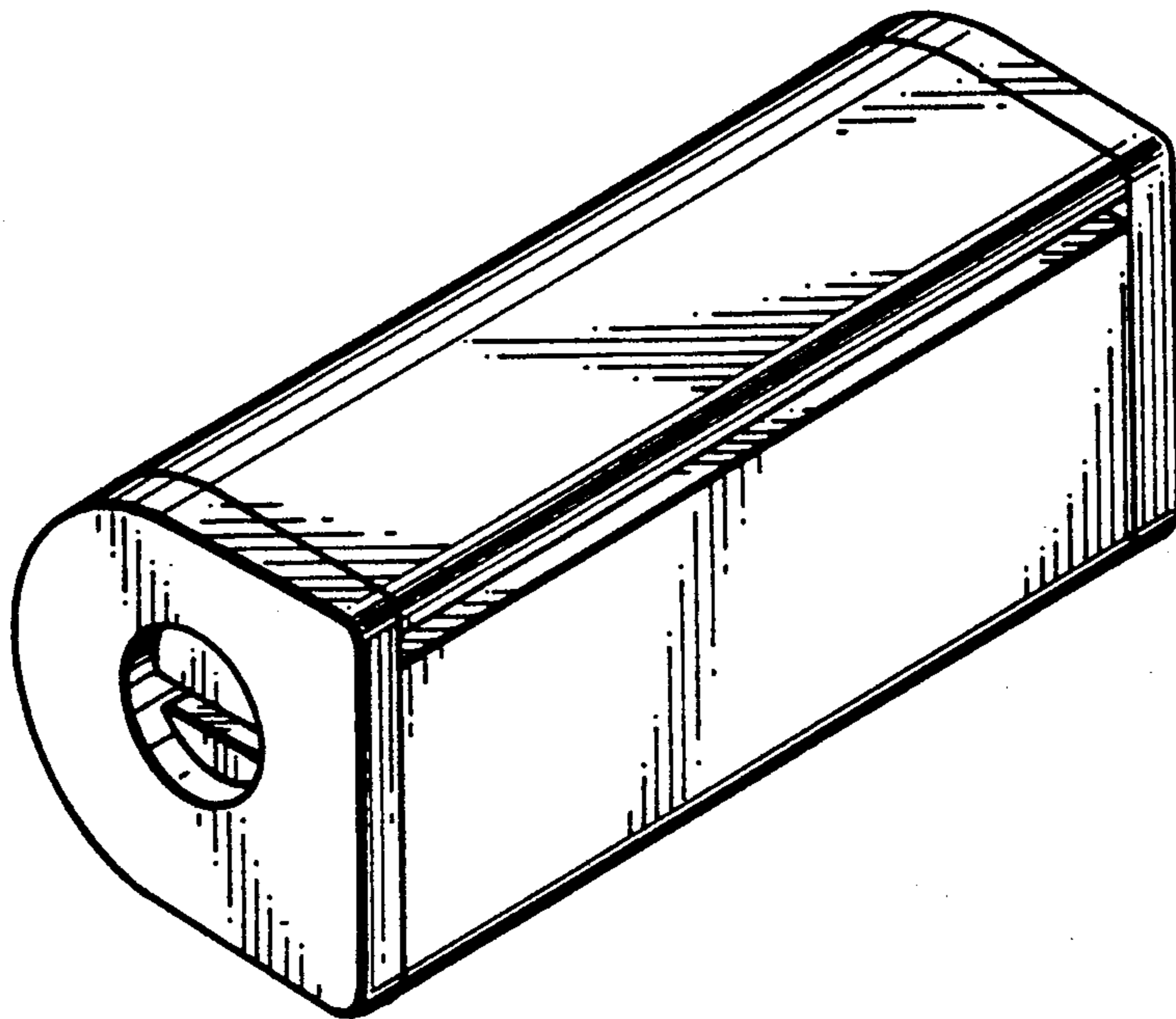


FIG. 3

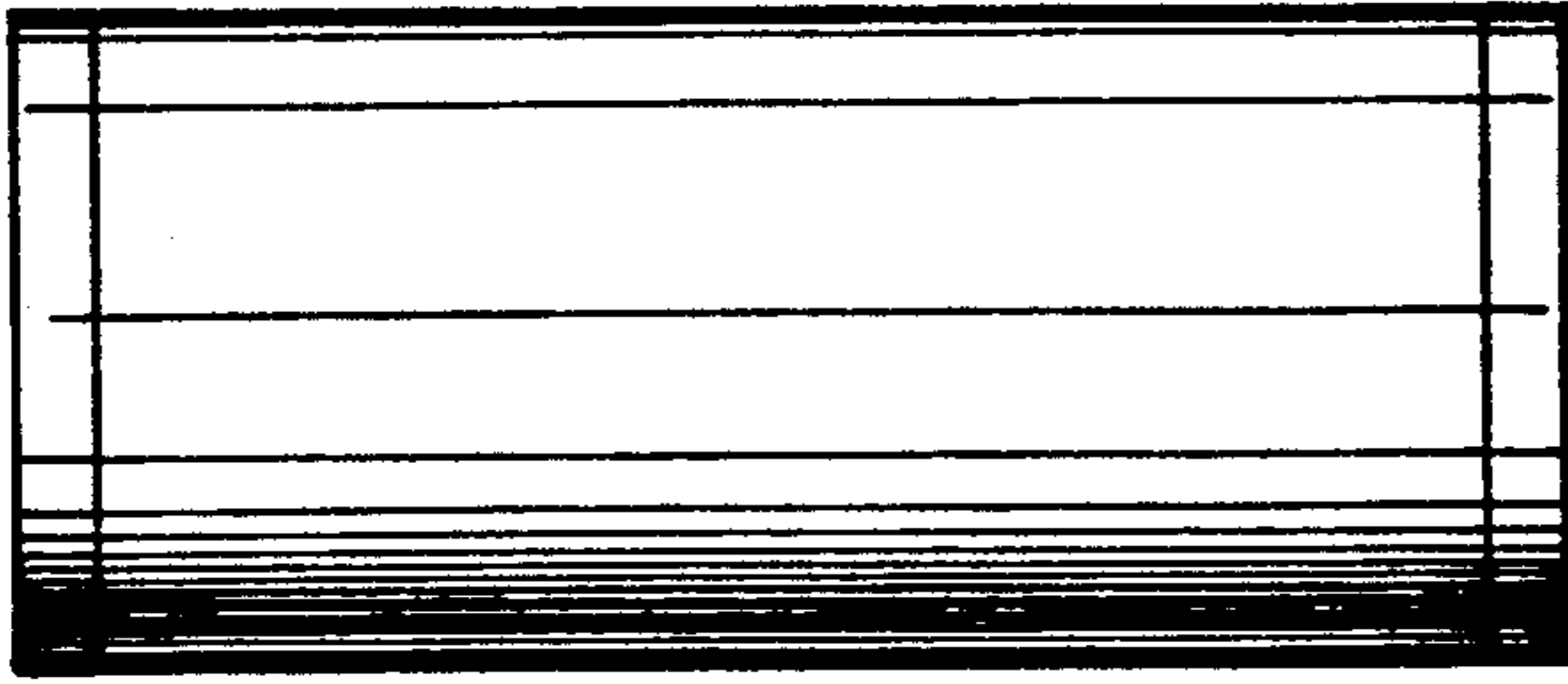


FIG. 7

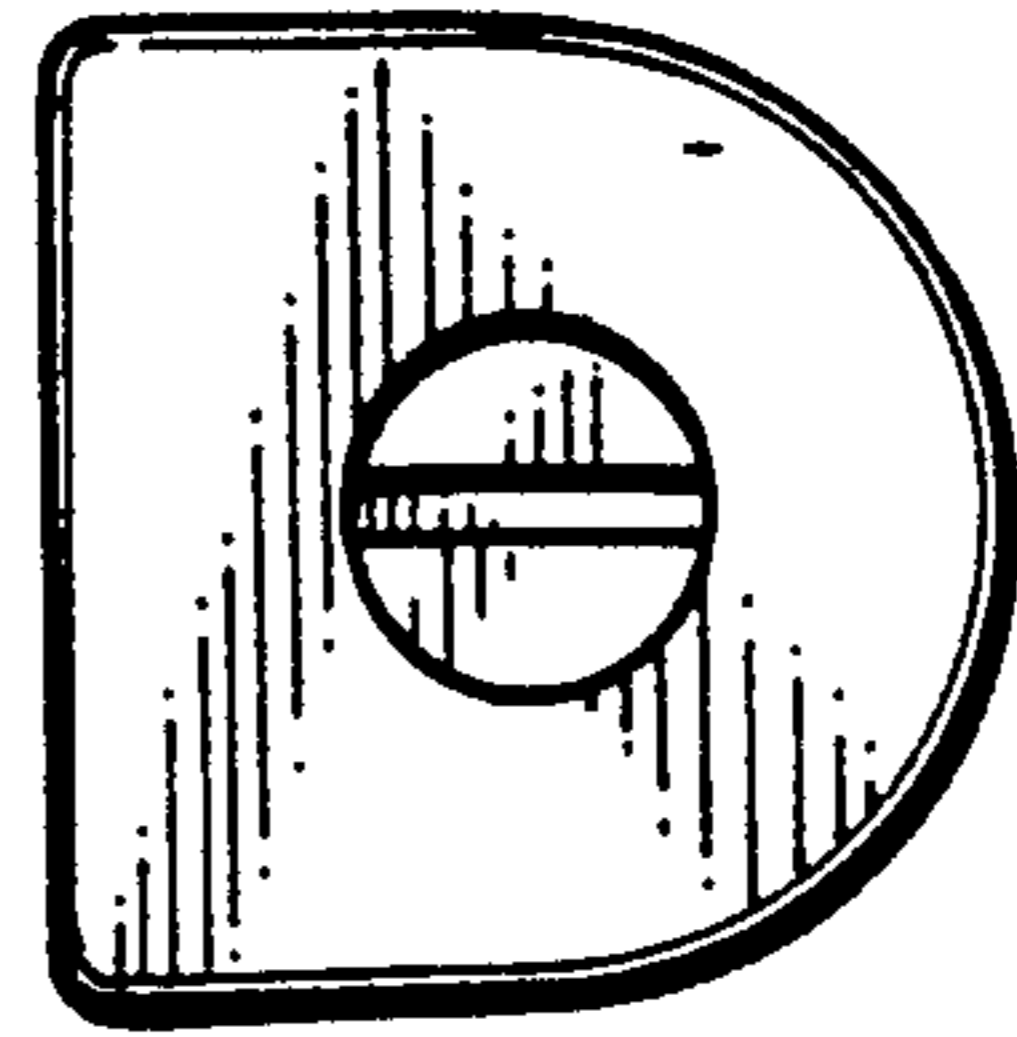


FIG. 4

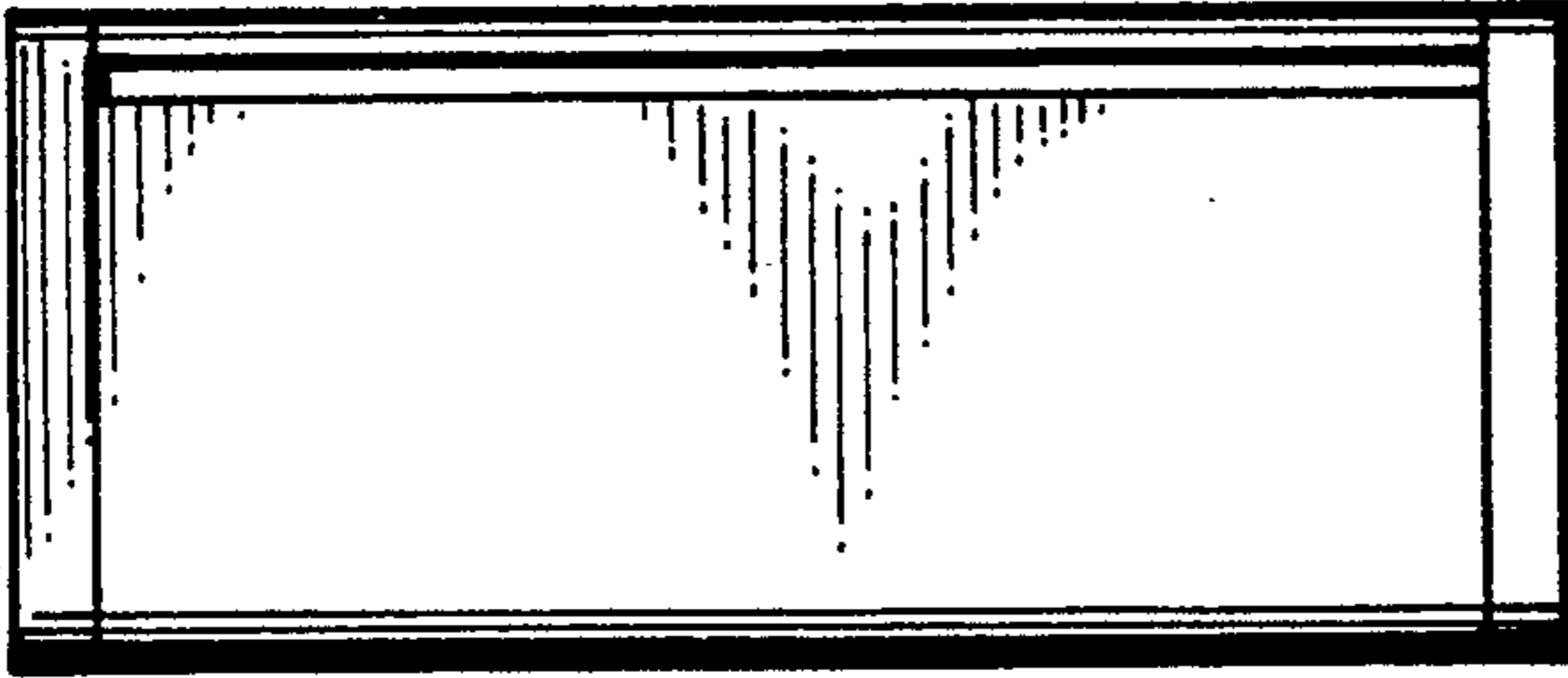


FIG. 8

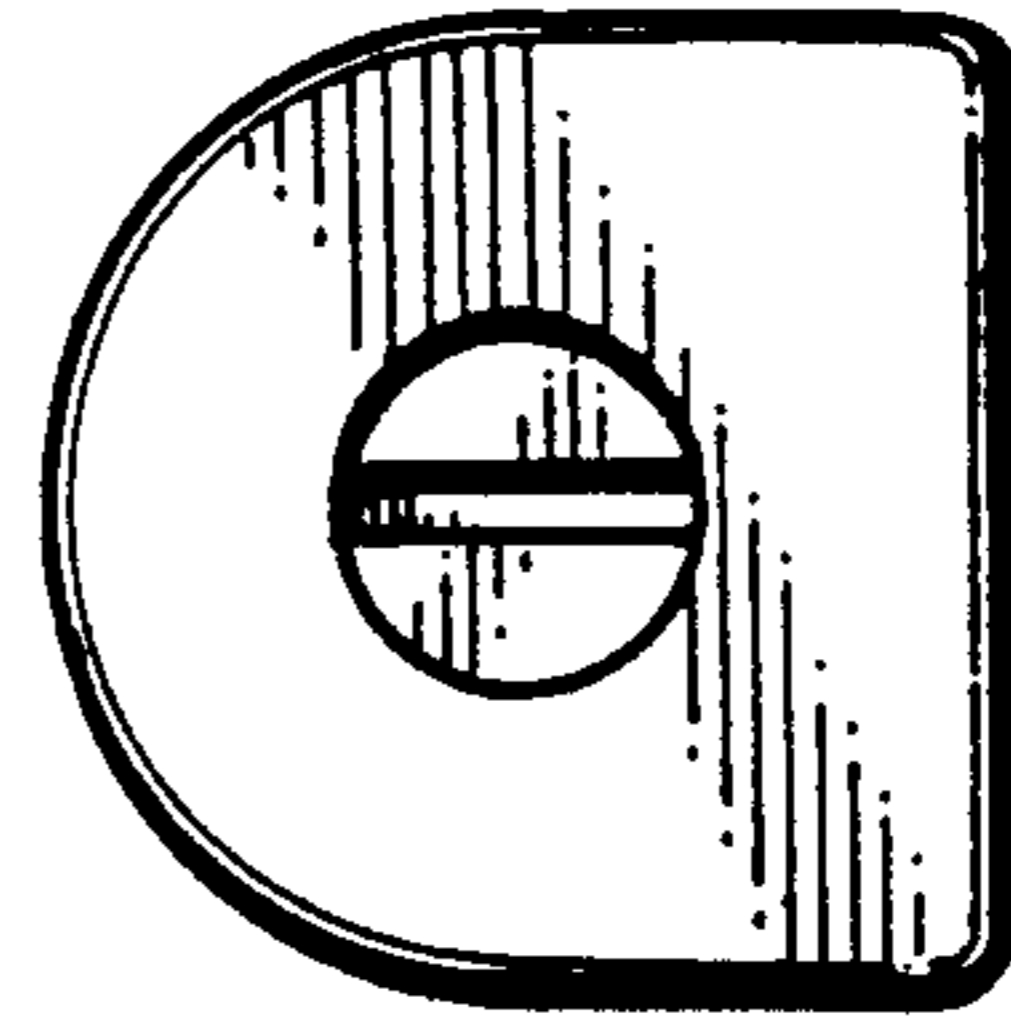


FIG. 5

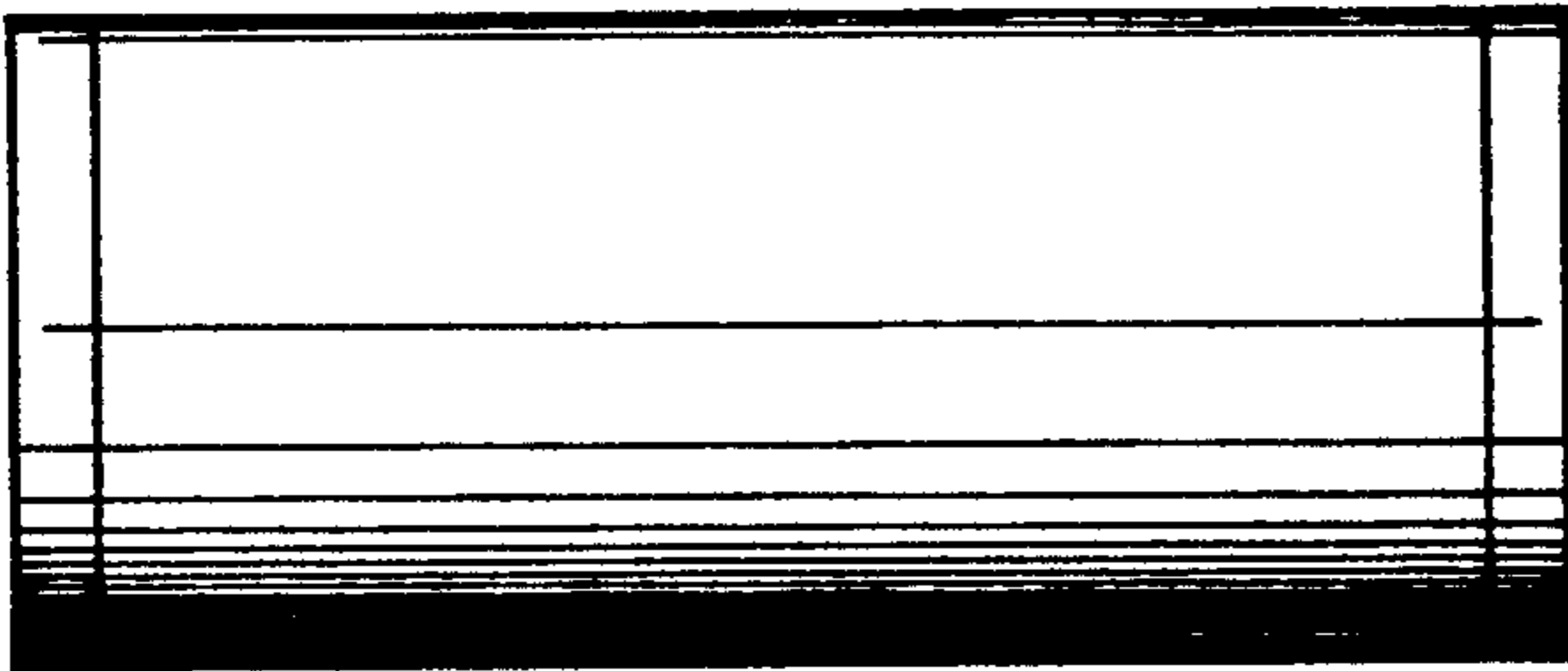


FIG. 6

