



US00D330545S

United States Patent [19]

[11] Patent Number: **Des. 330,545**

Ashihara

[45] Date of Patent: **** Oct. 27, 1992**

[54] DATA DISPLAY FOR COMPUTER

[75] Inventor: **Kazuhiko Ashihara, Osaka, Japan**

[73] Assignee: **Sharp Kabushiki Kaisha, Japan**

[**] Term: **14 Years**

[21] Appl. No.: **663,657**

[22] Filed: **Mar. 4, 1991**

[30] Foreign Application Priority Data

Sep. 18, 1990 [JP] Japan 2-31492

[52] U.S. Cl. **D14/113**

[58] Field of Search D14/100, 113, 126;
D18/11; 340/700, 706; 358/249, 254;
364/706-710

[56] References Cited

U.S. PATENT DOCUMENTS

- D. 289,873 5/1987 Gemmell et al. D14/113
- D. 294,699 3/1988 Ohzu D14/126
- D. 306,158 2/1990 Ashihara D14/113
- D. 308,363 6/1990 Ashihara D14/113
- D. 308,364 6/1990 Beasley, Jr. et al. D14/100 X

OTHER PUBLICATIONS

Computer Products, Jan. 1989, Inside Cover (front) Computer Box Group 290.

Primary Examiner—Wallace R. Burke

Assistant Examiner—Freda S. Nunn

Attorney, Agent, or Firm—Nixon & Vanderhye

[57] CLAIM

The ornamental design for a data display for computer, as shown and described.

DESCRIPTION

FIG. 1 is a top front and left side perspective view of a data display for computer showing my new design;

FIG. 2 is a bottom front and right side perspective view thereof;

FIG. 3 is a top plan view thereof on an enlarged scale;

FIG. 4 is a front elevational view thereof;

FIG. 5 is a right side elevational view thereof;

FIG. 6 is a rear elevational view thereof;

FIG. 7 is a left side elevational view thereof; and,

FIG. 8 is a bottom plan view thereof.

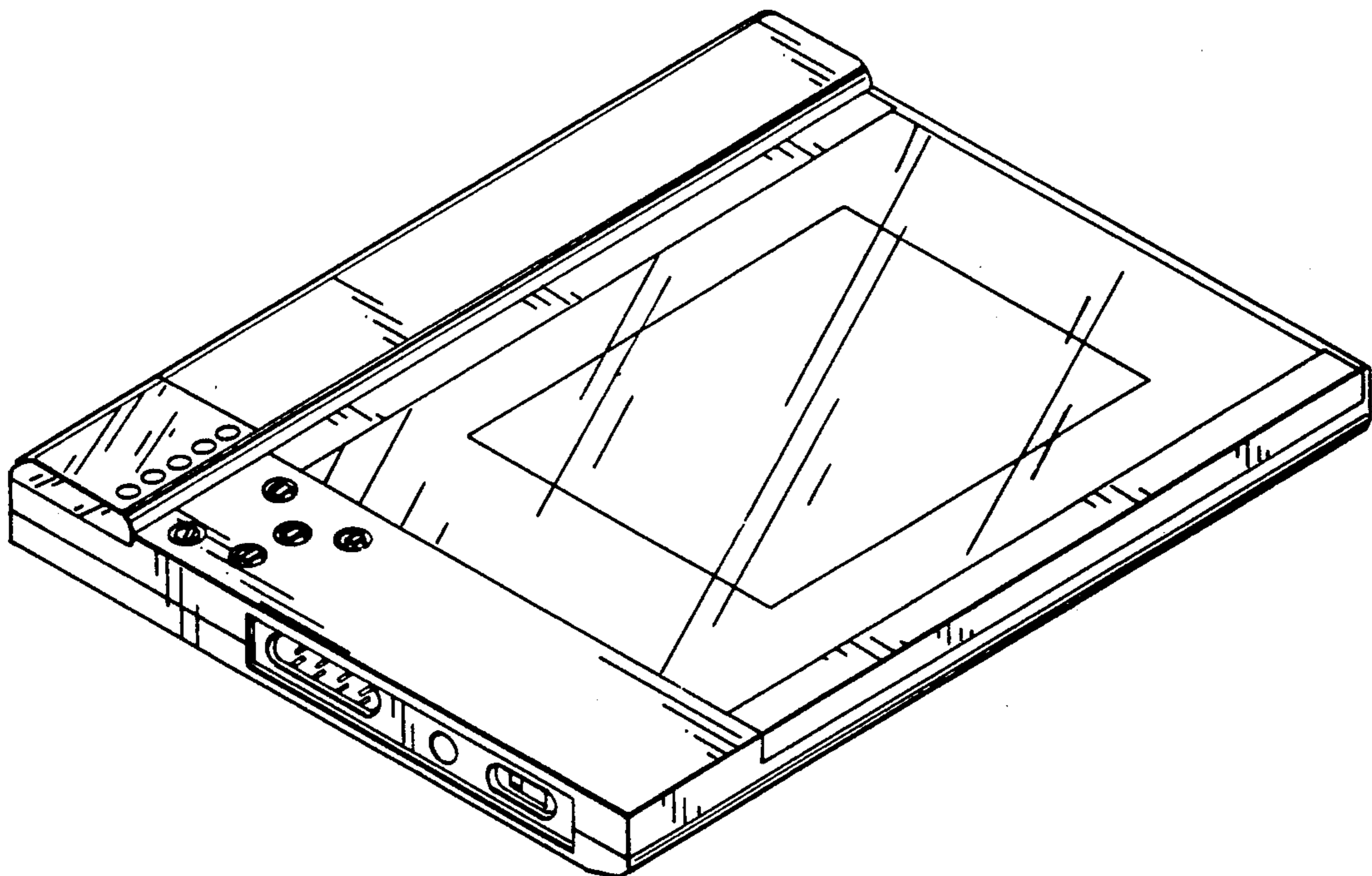


FIG. 1

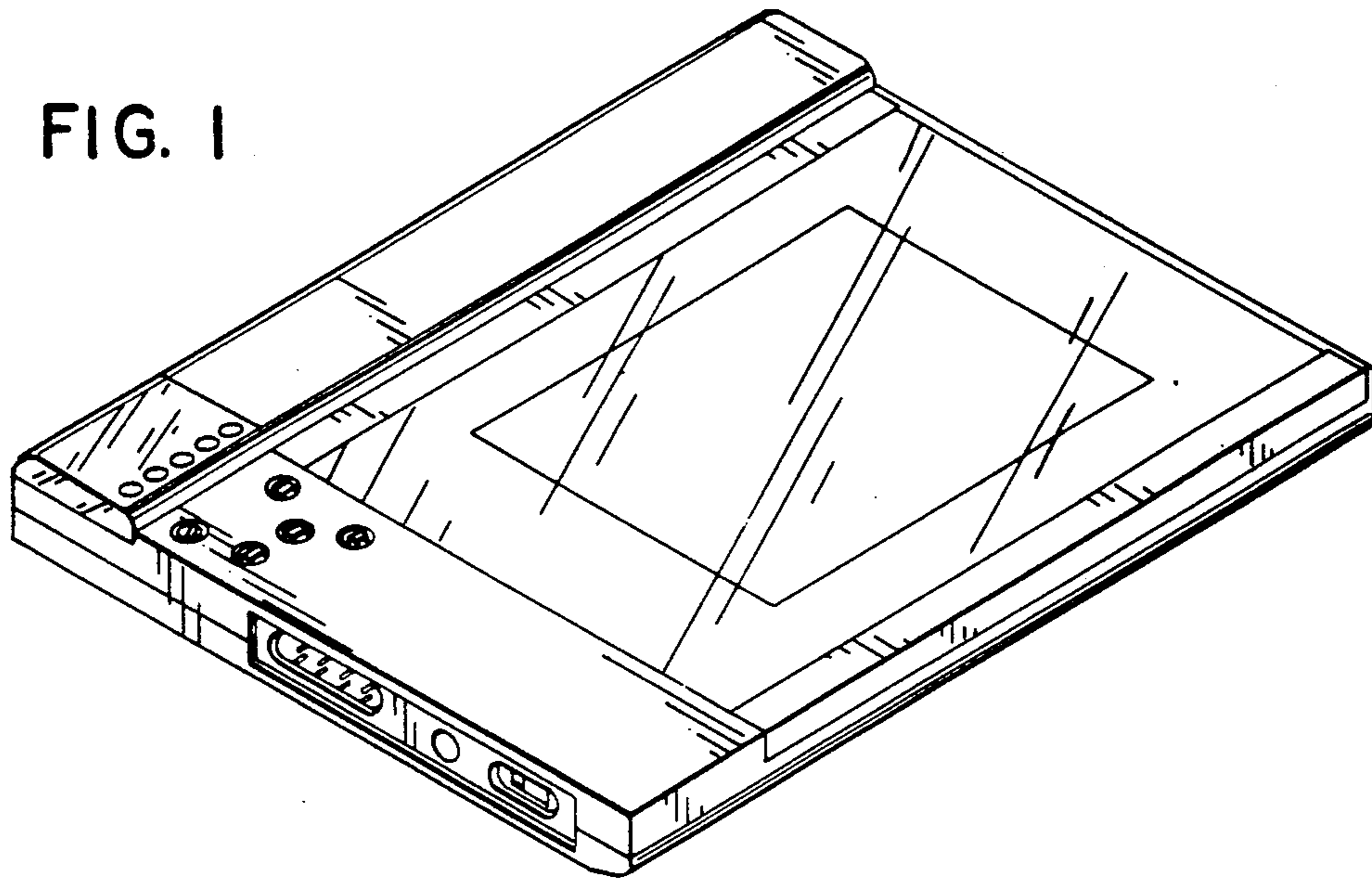


FIG. 2

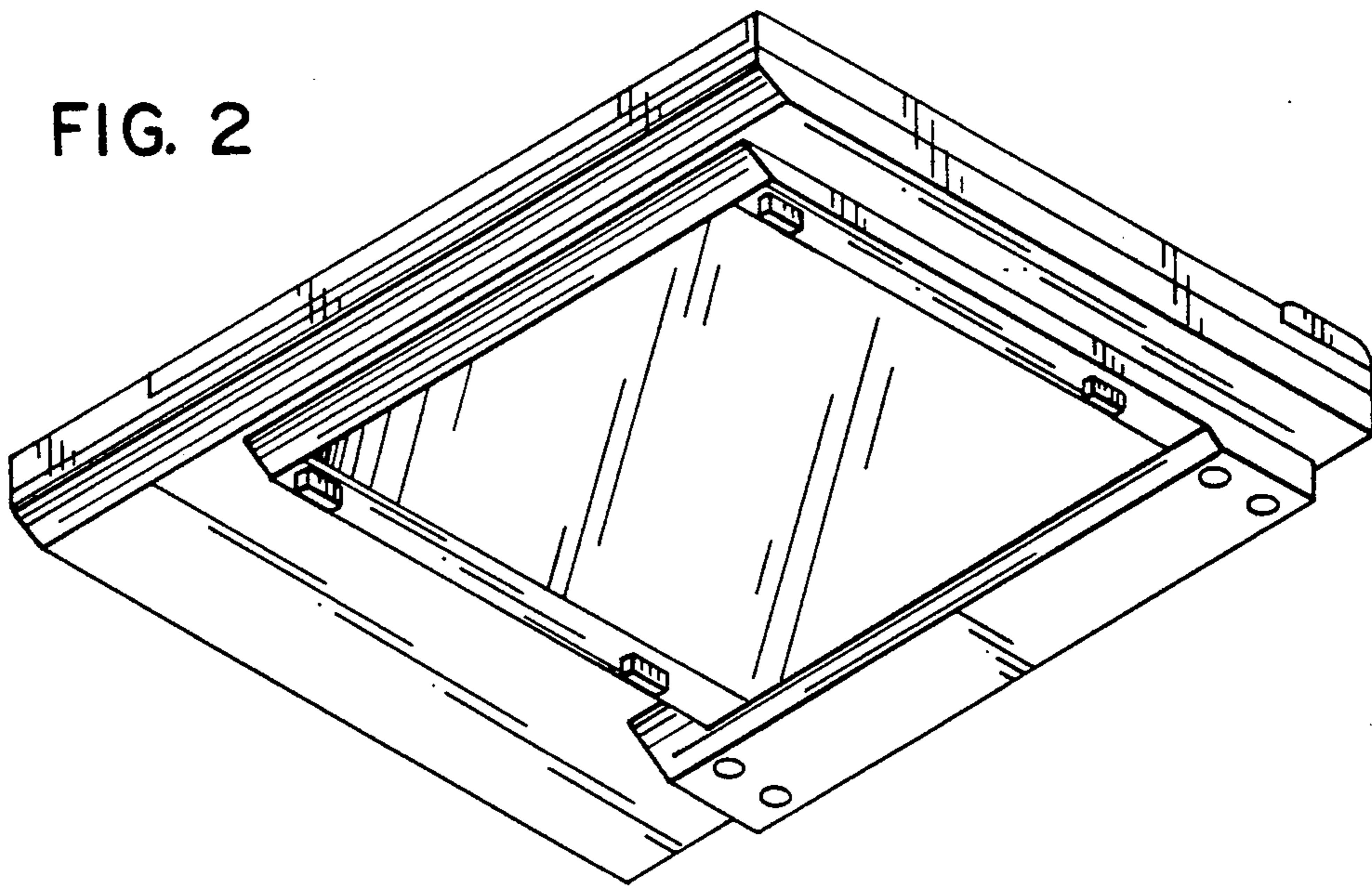


FIG. 3

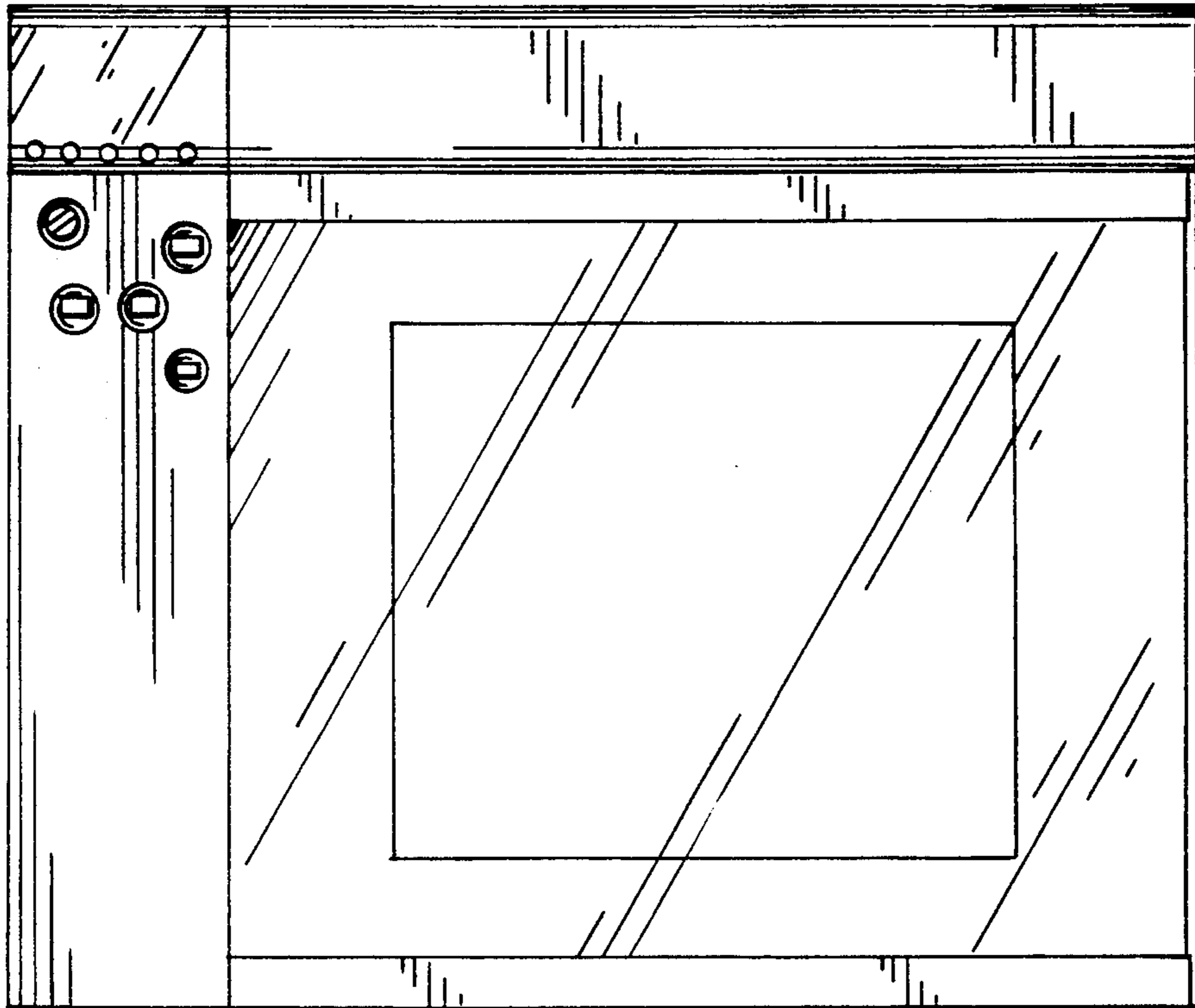


FIG. 4

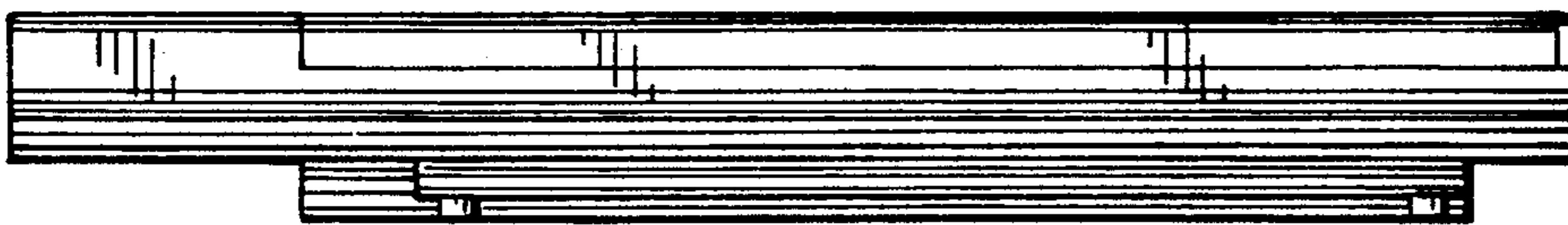


FIG. 5

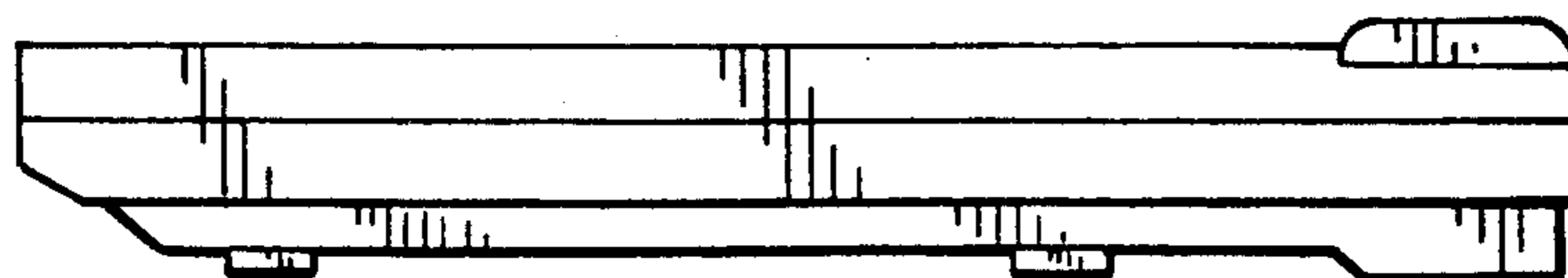


FIG. 6

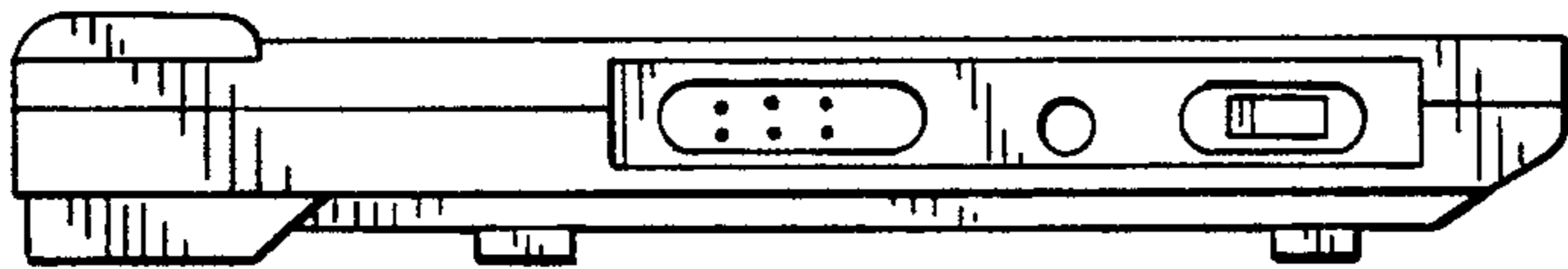
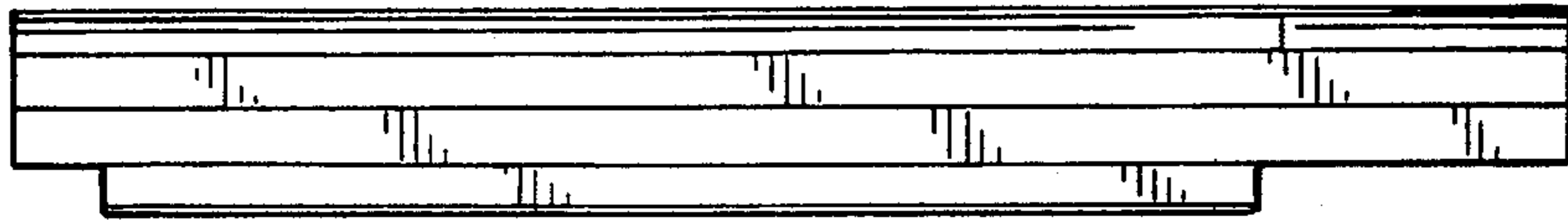


FIG. 7

FIG. 8

