



US00D330544S

United States Patent [19]

[11] Patent Number: **Des. 330,544**

Kane

[45] Date of Patent: **** Oct. 27, 1992**

[54] COMBINED ELECTRONIC EQUIPMENT CABINET AND CONTROLS

[75] Inventor: **Daniel S. Kane**, Haverford, Pa.
[73] Assignee: **Modular Instruments, Inc.**, Malvern, Pa.

[**] Term: **14 Years**

[21] Appl. No.: **628,757**

[22] Filed: **Dec. 17, 1990**

[52] U.S. Cl. **D14/103**

[58] Field of Search **D14/100, 102, 103, 108, D14/109; D6/432; D13/184, 199; 360/92; 361/390-395; 312/208**

[56] References Cited

U.S. PATENT DOCUMENTS

| | | | |
|------------|---------|----------------------|-----------|
| D. 236,623 | 9/1975 | Fossella et al. | D14/103 |
| D. 236,986 | 9/1975 | Schierholz | D14/103 |
| D. 237,976 | 12/1975 | Wolfe et al. | D14/103 |
| D. 284,194 | 6/1986 | Golden et al. | D14/103 |
| D. 305,686 | 1/1990 | Fischer | D14/103 X |
| D. 321,340 | 11/1991 | Savio | D14/100 |

OTHER PUBLICATIONS

Datamation, Jul. 1, 1989, p. 40, Intergraph System.

Primary Examiner—Wallace R. Burke

Assistant Examiner—Freda S. Nunn

Attorney, Agent, or Firm—Michael F. Petock

[57] CLAIM

The ornamental design for a combined electronic equipment cabinet and controls, as shown and described.

DESCRIPTION

FIG. 1 is a top front and left side perspective view of a combined electronic equipment cabinet and controls showing my new design;

FIG. 2 is a front elevational view thereof;

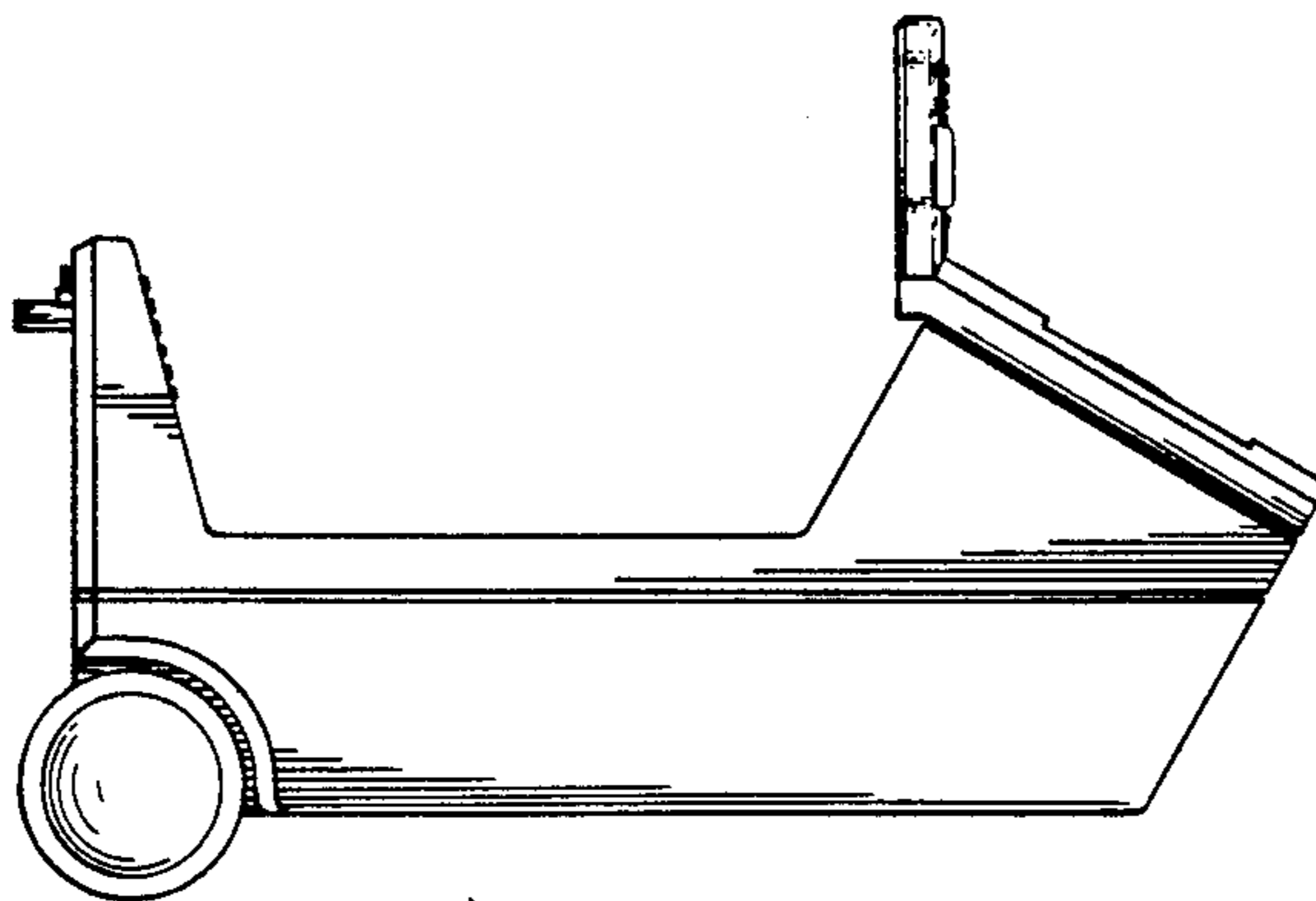
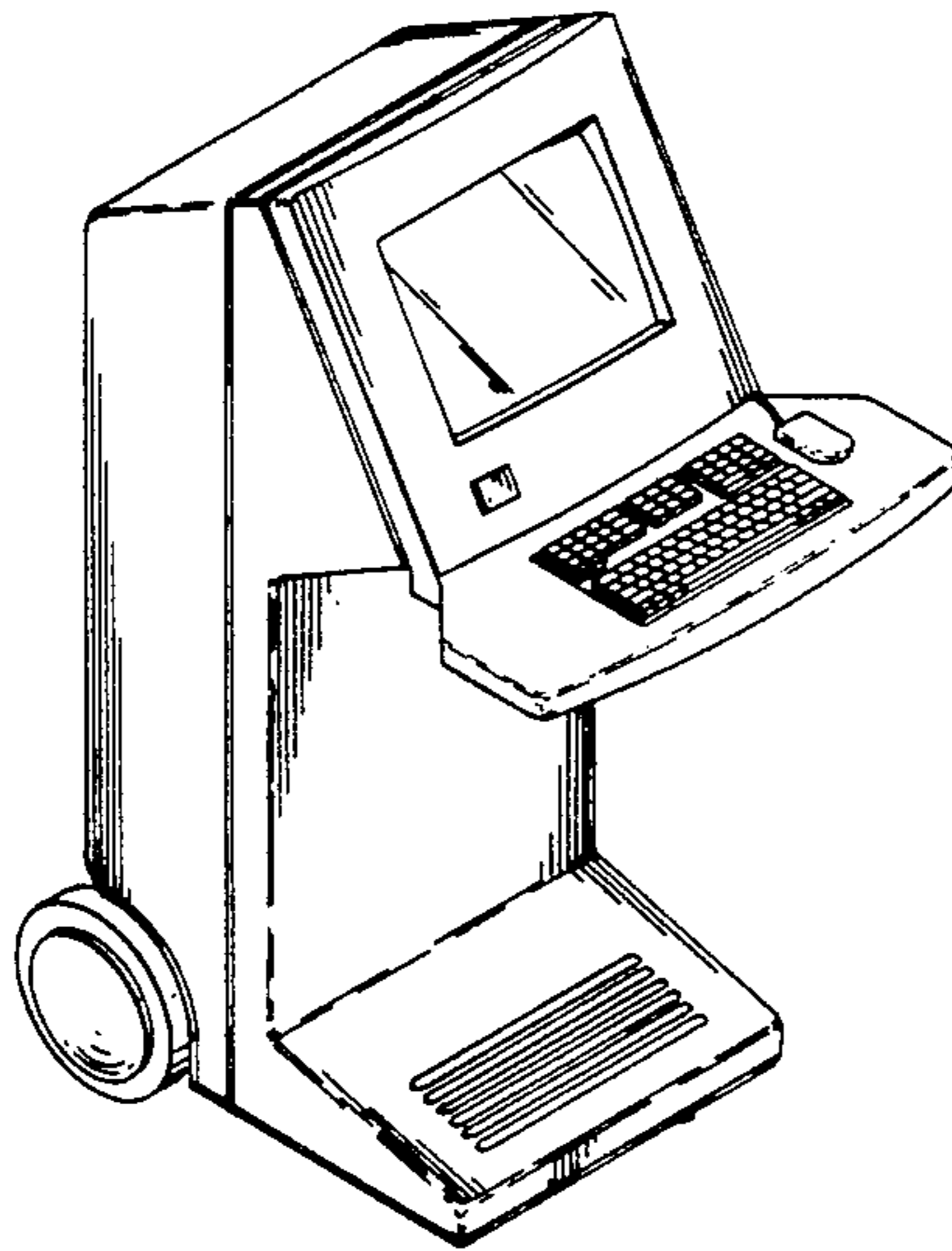
FIG. 3 is a rear elevational view thereof, the design elements are shown in broken lines for illustrative purposes only and form no part of the claimed design;

FIG. 4 is a right side elevational view thereof;

FIG. 5 is a left side elevational view thereof;

FIG. 6 is a top plan view thereof; and,

FIG. 7 is a bottom plan view thereof.



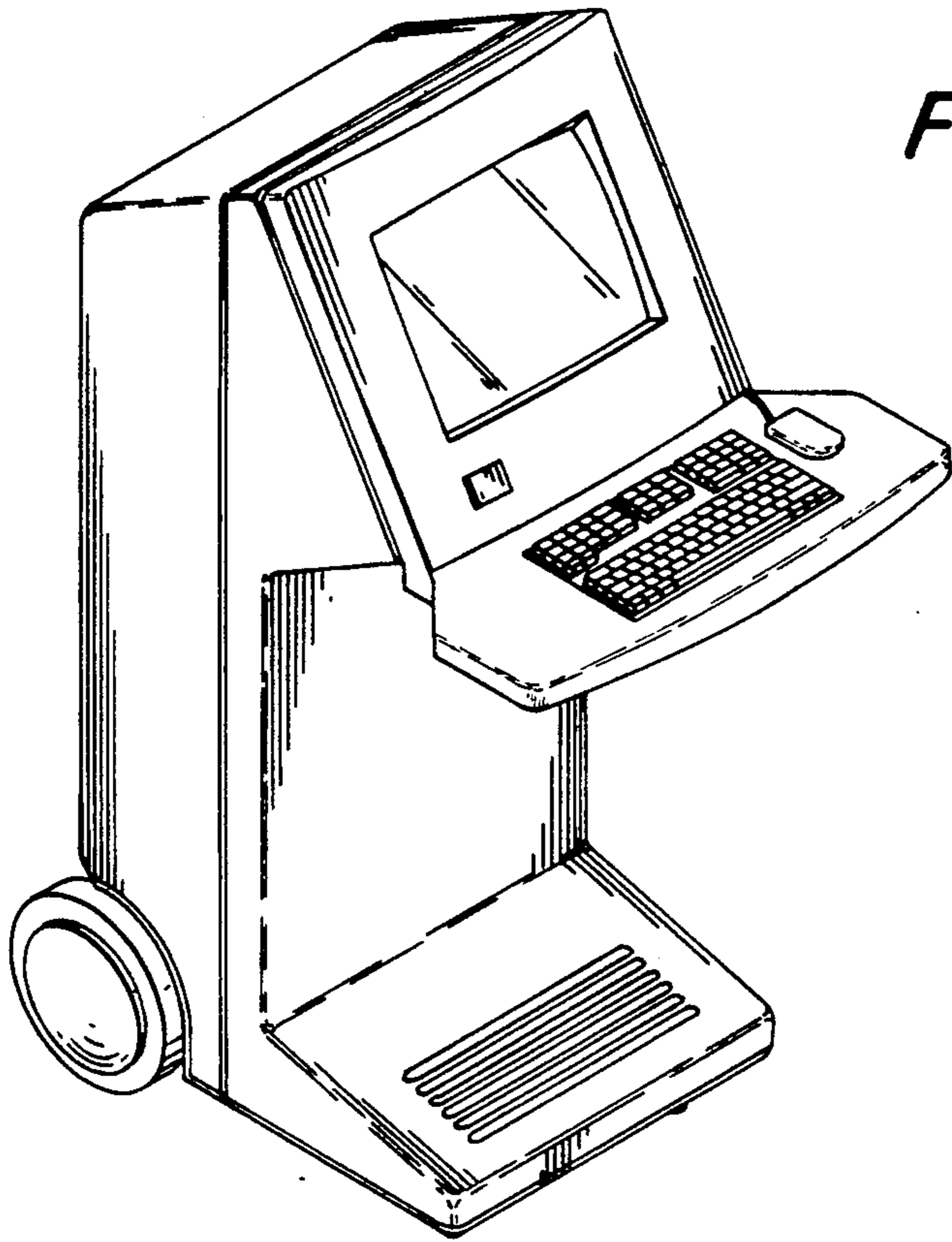


FIG. 1

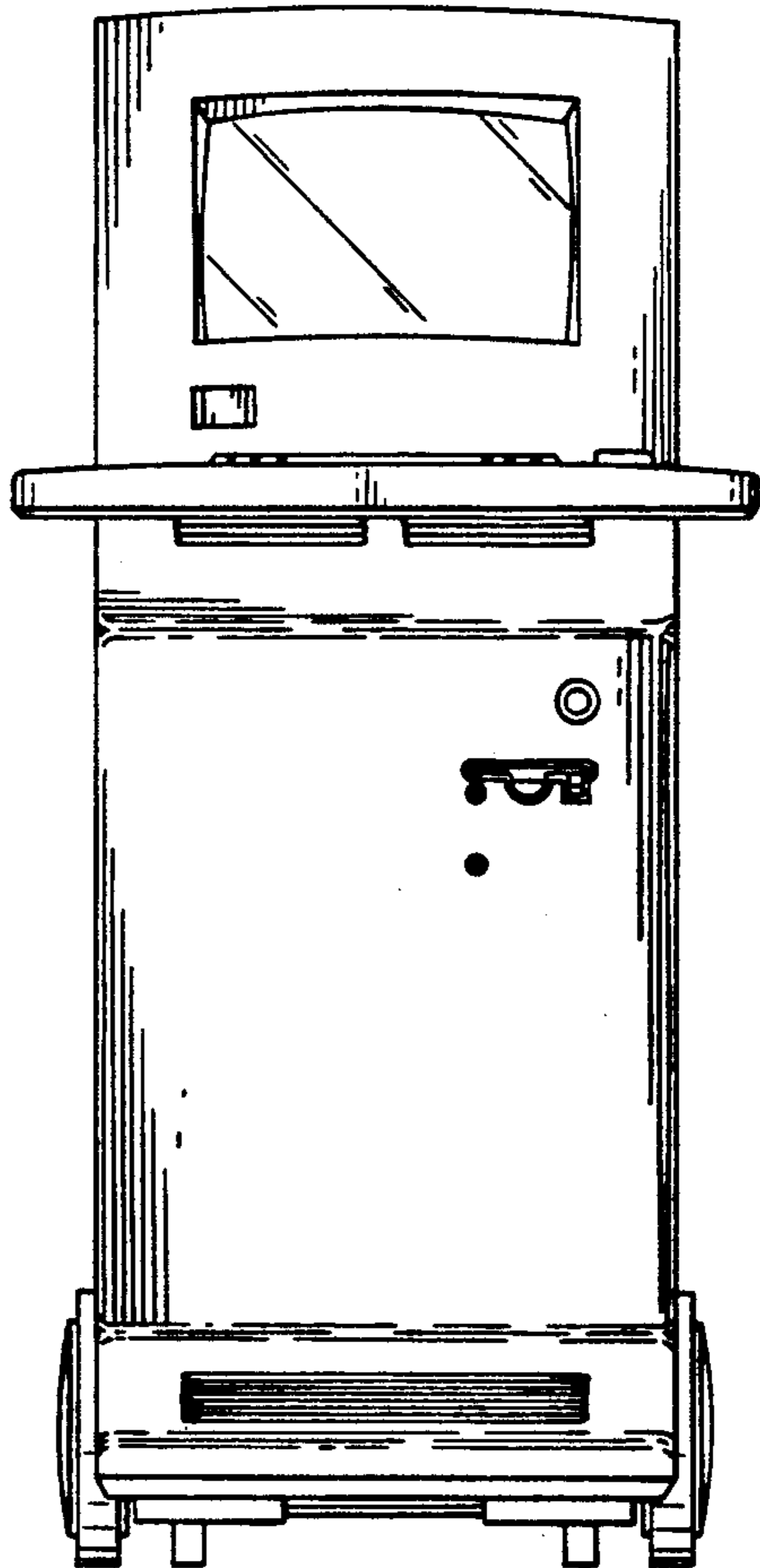


FIG. 2

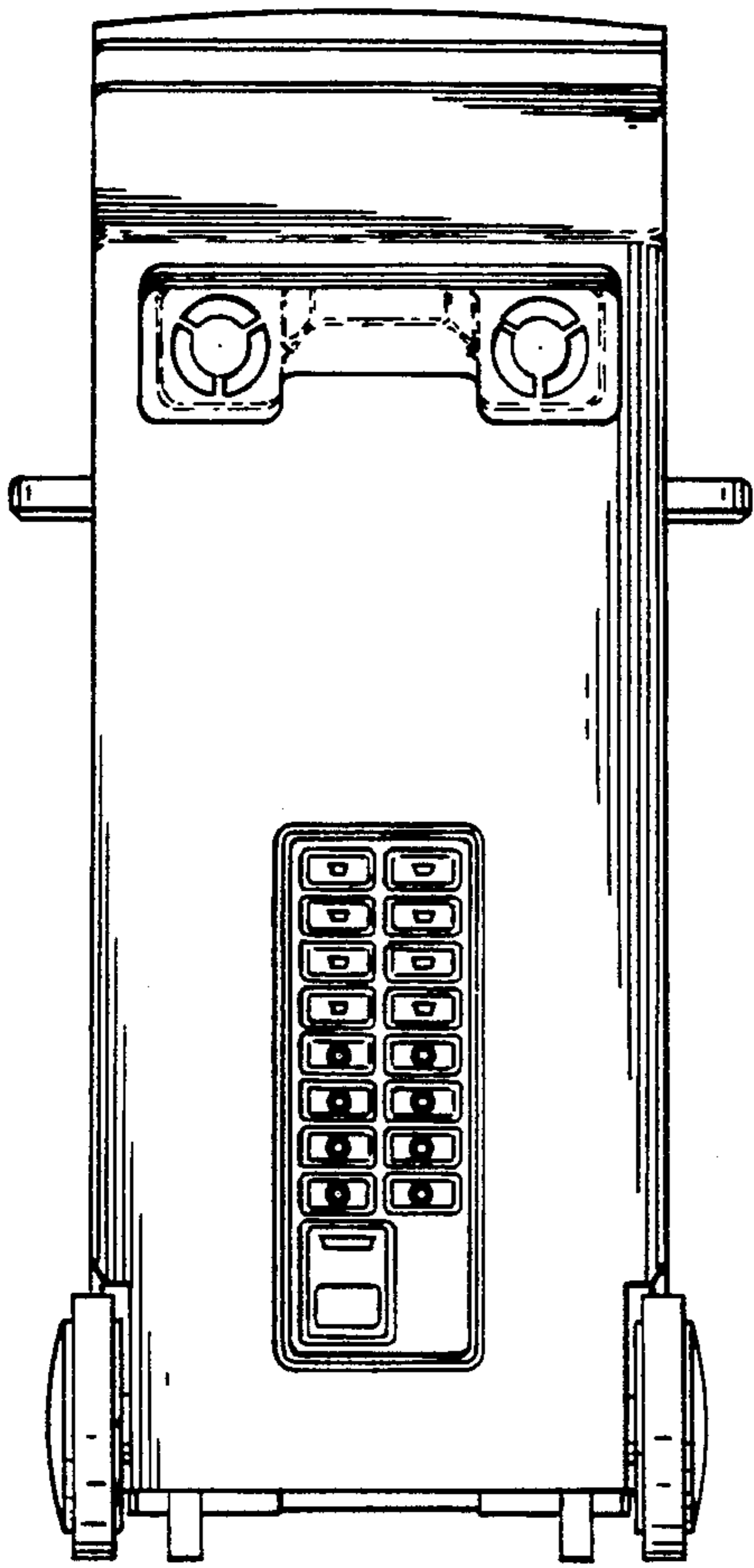


FIG. 3

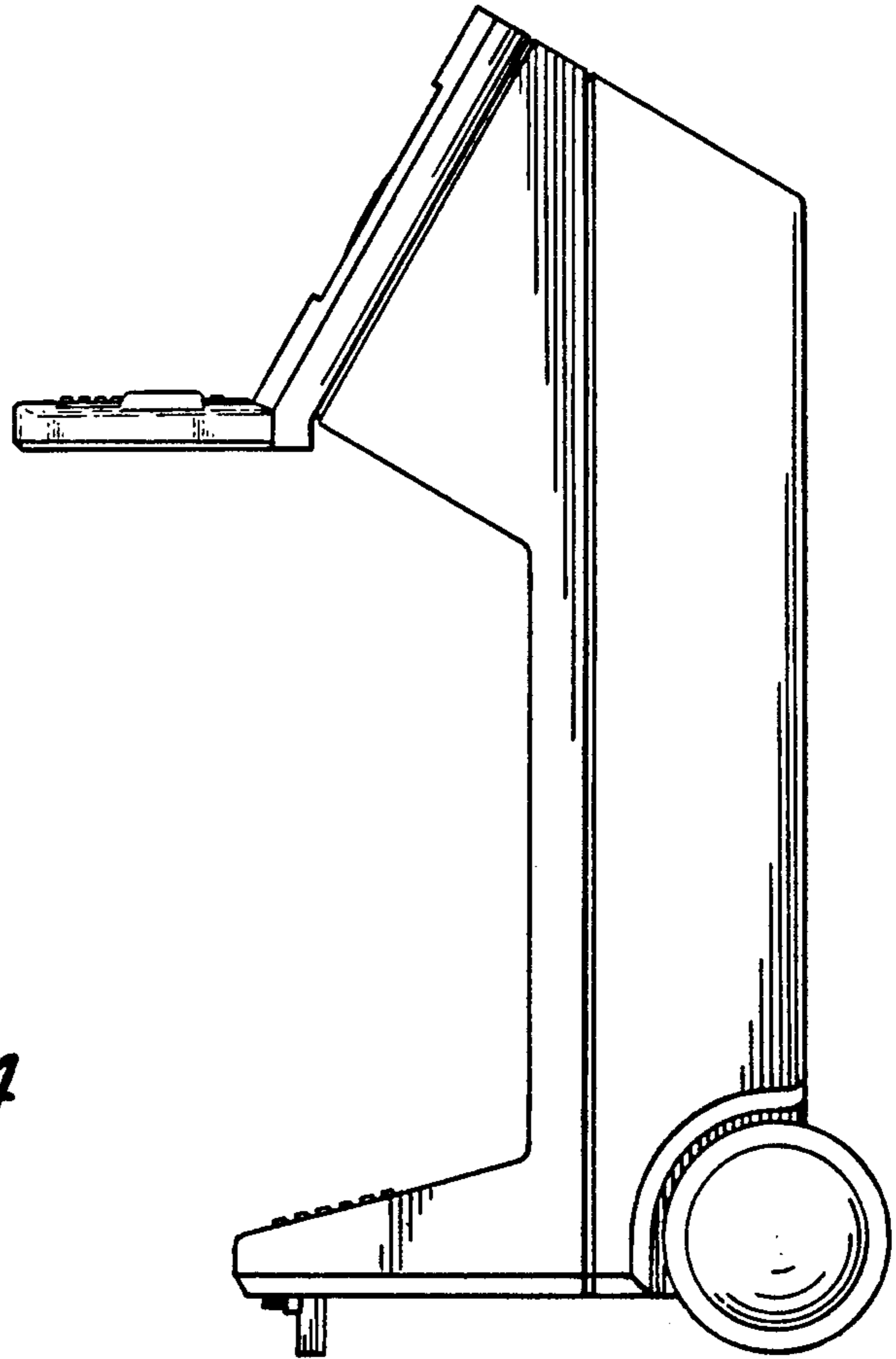


FIG. 4

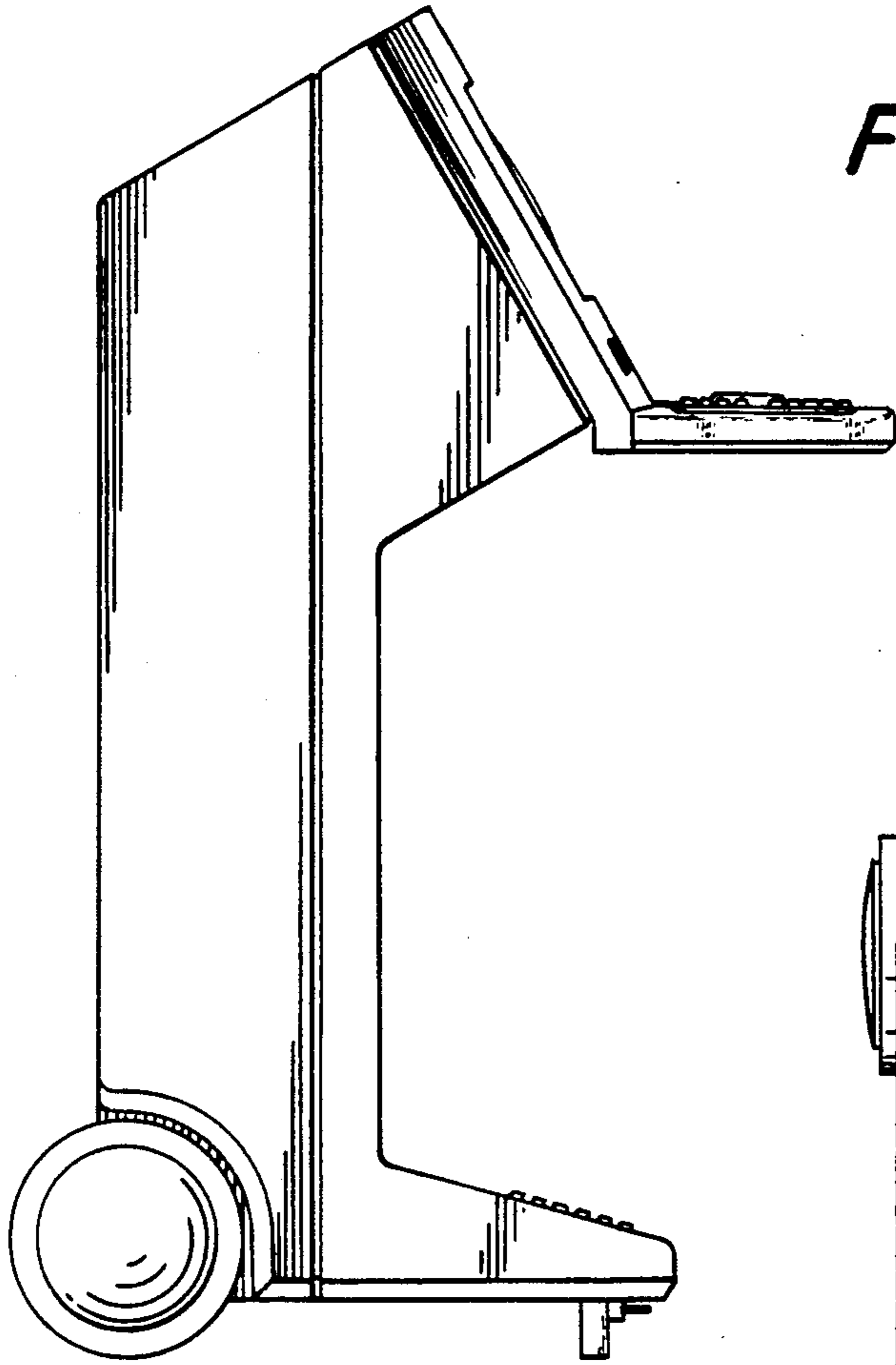


FIG. 5

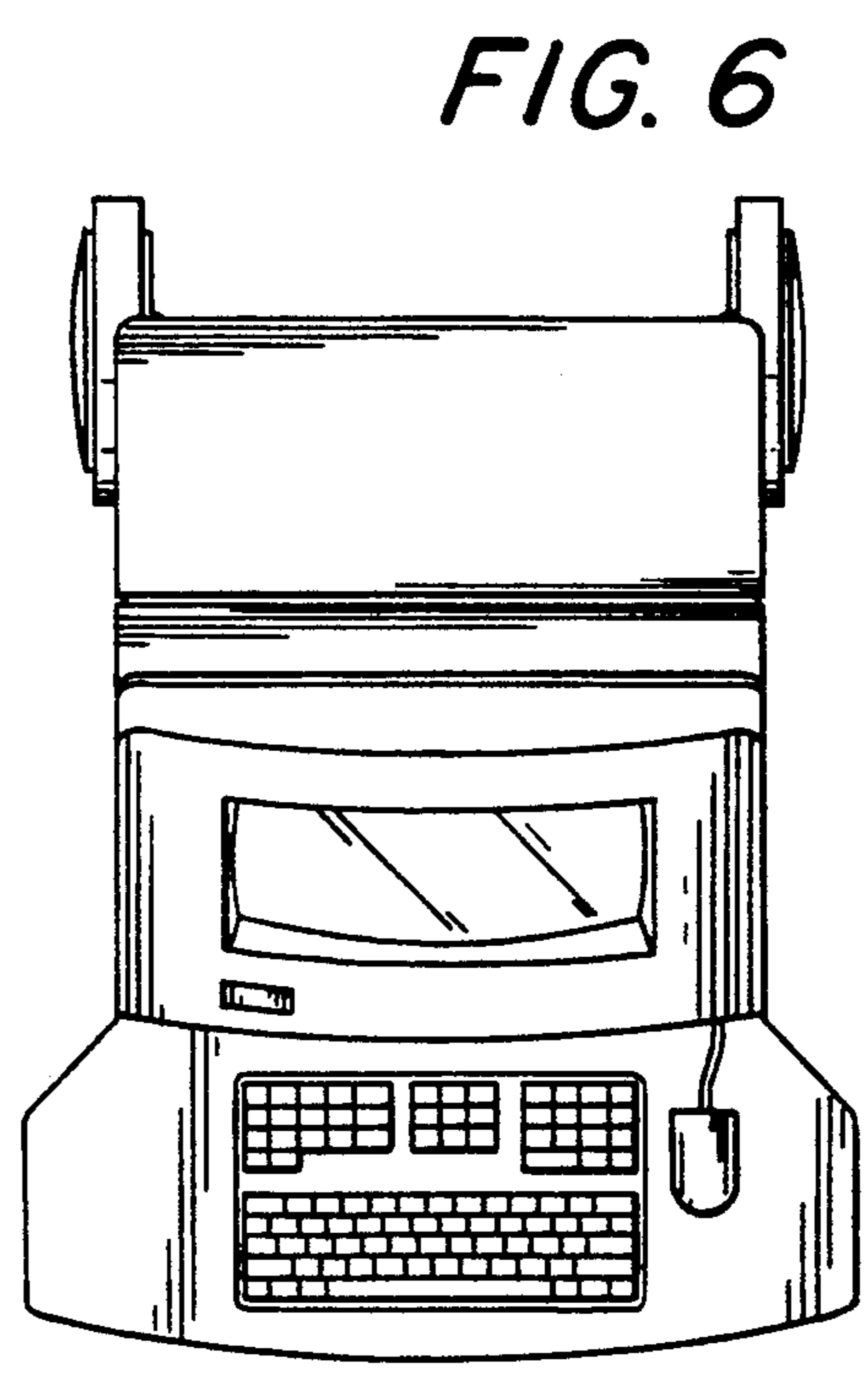


FIG. 6

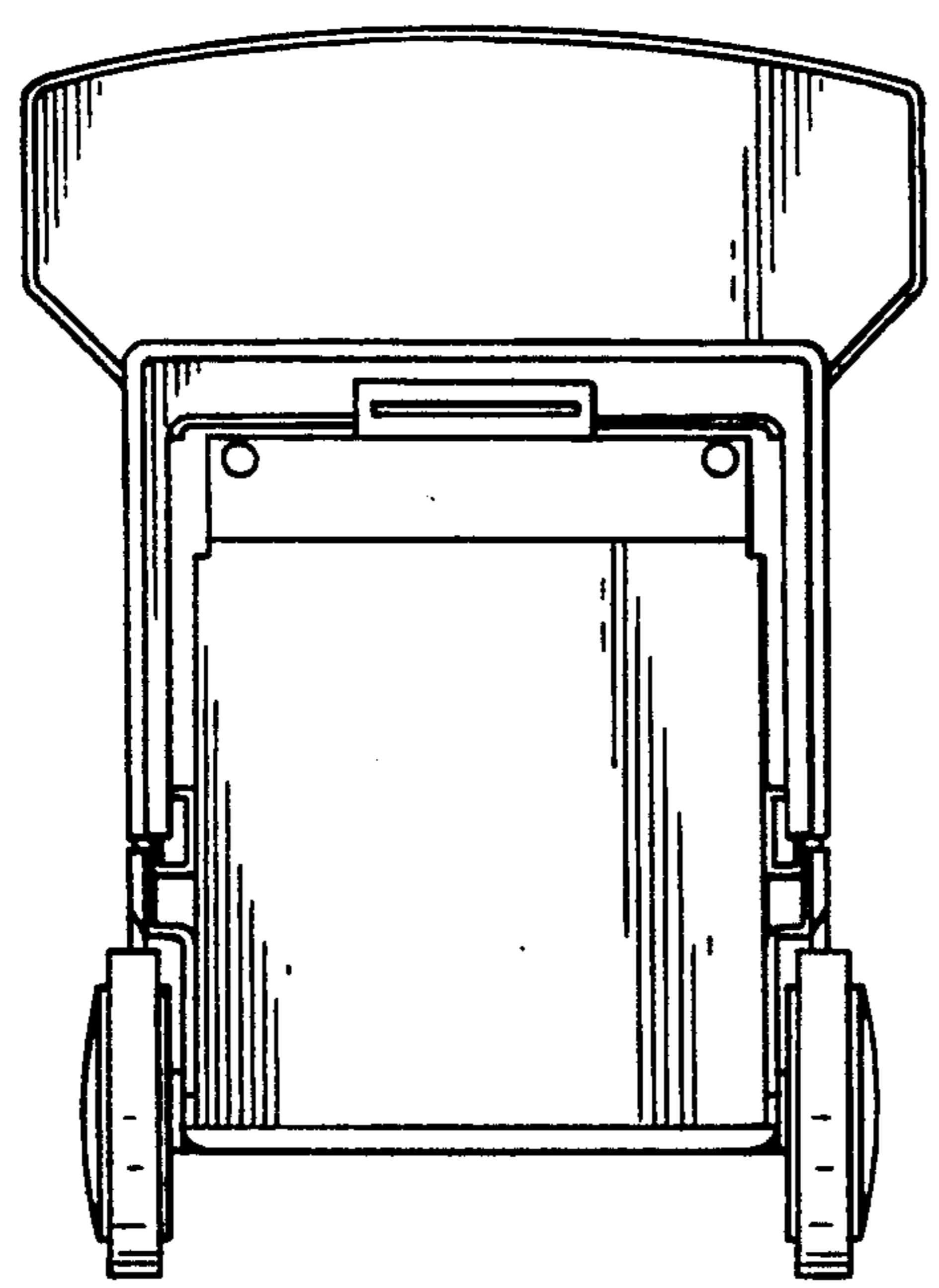


FIG. 7