



US00D330542S

# United States Patent [19]

[11] Patent Number: **Des. 330,542**

Matsui

[45] Date of Patent: **\*\* Oct. 27, 1992**

[54] **ABSORBER OF ELECTRICAL NOISE**

4,336,806 6/1982 Eldridge, Jr. .

[75] Inventor: **Kazuhiro Matsui, Toyoake, Japan**

4,610,738 9/1986 Jervis ..... 174/92 X

[73] Assignee: **Kitagawa Industries Co., Ltd., Nagoya, Japan**

4,656,418 4/1987 Boston et al. .

4,873,505 10/1989 Matsui ..... 336/176 X

4,882,561 11/1989 Fujioka .

4,885,559 12/1989 Nakano ..... 336/176 X

[\*\*] Term: **14 Years**

### FOREIGN PATENT DOCUMENTS

[21] Appl. No.: **388,369**

60-16404 1/1985 Japan .

61-38714 3/1986 Japan .

[22] Filed: **Aug. 2, 1989**

61-76626 5/1986 Japan .

61-97899 6/1986 Japan .

61-116021 7/1986 Japan .

62-14770 4/1987 Japan .

### Related U.S. Application Data

0713389 8/1954 United Kingdom ..... 174/92

[62] Division of Ser. No. 180,462, Apr. 11, 1988, Pat. No. 4,873,505.

2179502 3/1987 United Kingdom .

[52] U.S. Cl. .... **D13/199; D13/156**

*Primary Examiner*—Wallace R. Burke

[58] Field of Search ..... **D13/156, 199; D8/396; 220/3.8, 4.21; 439/350, 472; 174/52.1, 74 A, 74 R, 92, 135, 138 F; 336/90, 92, 176**

*Assistant Examiner*—Joel Sincavage

*Attorney, Agent, or Firm*—Oloff & Berridge

[56] **References Cited**

[57] **CLAIM**

### U.S. PATENT DOCUMENTS

The ornamental design for an absorber of electrical noise, as shown and described.

- D. 284,465 7/1986 Epley .
- D. 295,168 4/1988 Pisciotta ..... D13/156
- D. 310,020 8/1990 Fujioka ..... D8/396
- 3,018,455 1/1962 Brandon, Jr. et al. .
- 3,223,776 12/1965 Piasecki ..... 174/92
- 3,229,030 1/1966 Baermann .
- 3,241,198 8/1966 Baermann .
- 3,462,715 6/1969 Schor .
- 3,514,731 11/1971 Drake .
- 3,684,955 8/1972 Adams .
- 3,838,213 9/1974 Georgopoulos et al. .
- 3,846,725 11/1974 Mears, Jr. .
- 3,994,555 11/1976 Konno et al. .... D13/156 X
- 4,005,380 1/1977 Heilmann et al. .
- 4,071,824 1/1978 Kernander et al. .
- 4,283,677 8/1981 Niwa .
- 4,286,213 8/1981 Fowler .

### DESCRIPTION

FIG. 1 is a front and upper left perspective view of an absorber of electrical noise showing my new design mounted on a ribbon cable. The broken line showing of the ribbon cable is included for the purpose of illustrating environmental elements only and forms no part of the claimed design;

FIG. 2 is a front and upper left perspective view of an absorber of electrical noise showing the design;

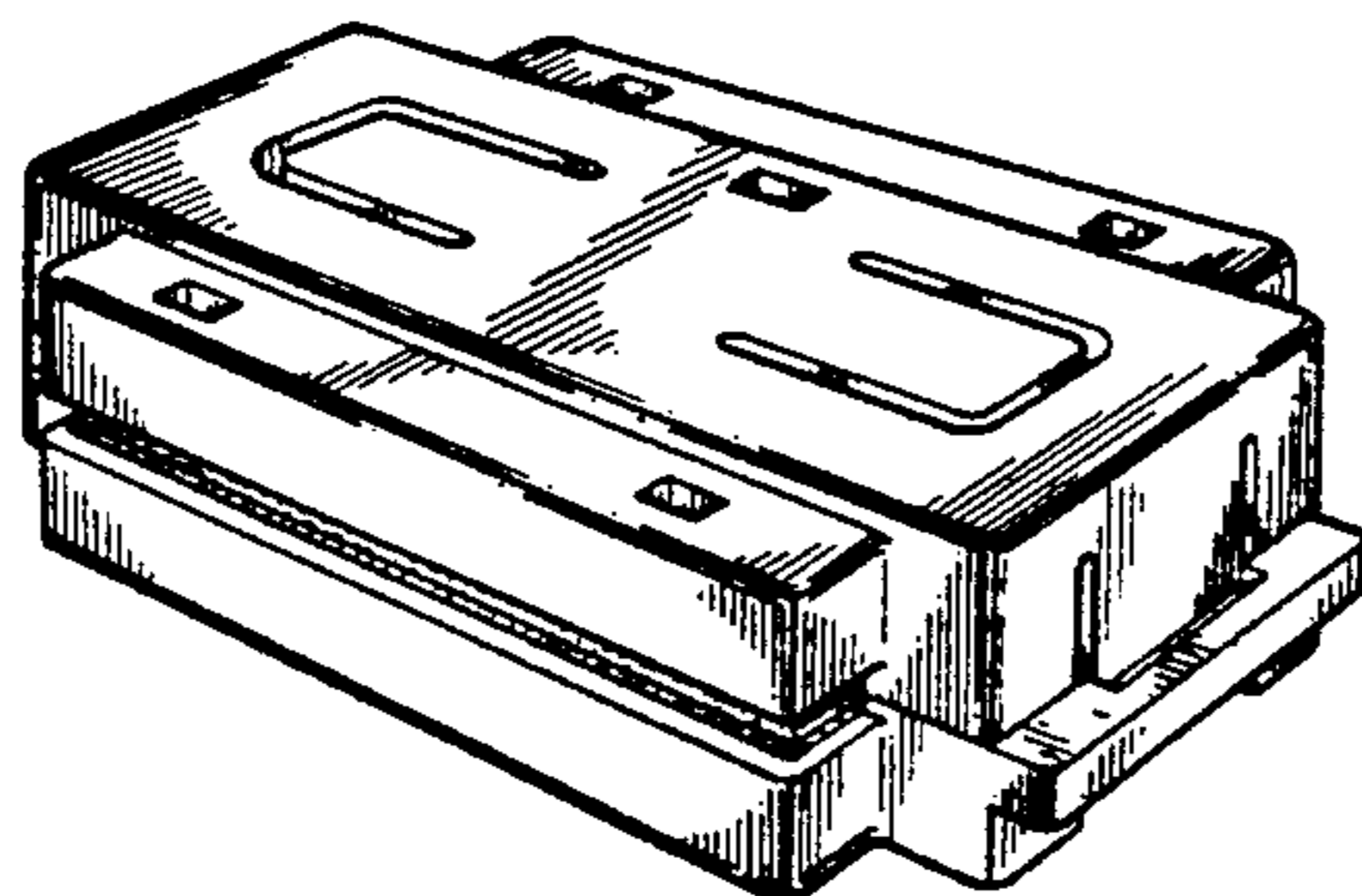
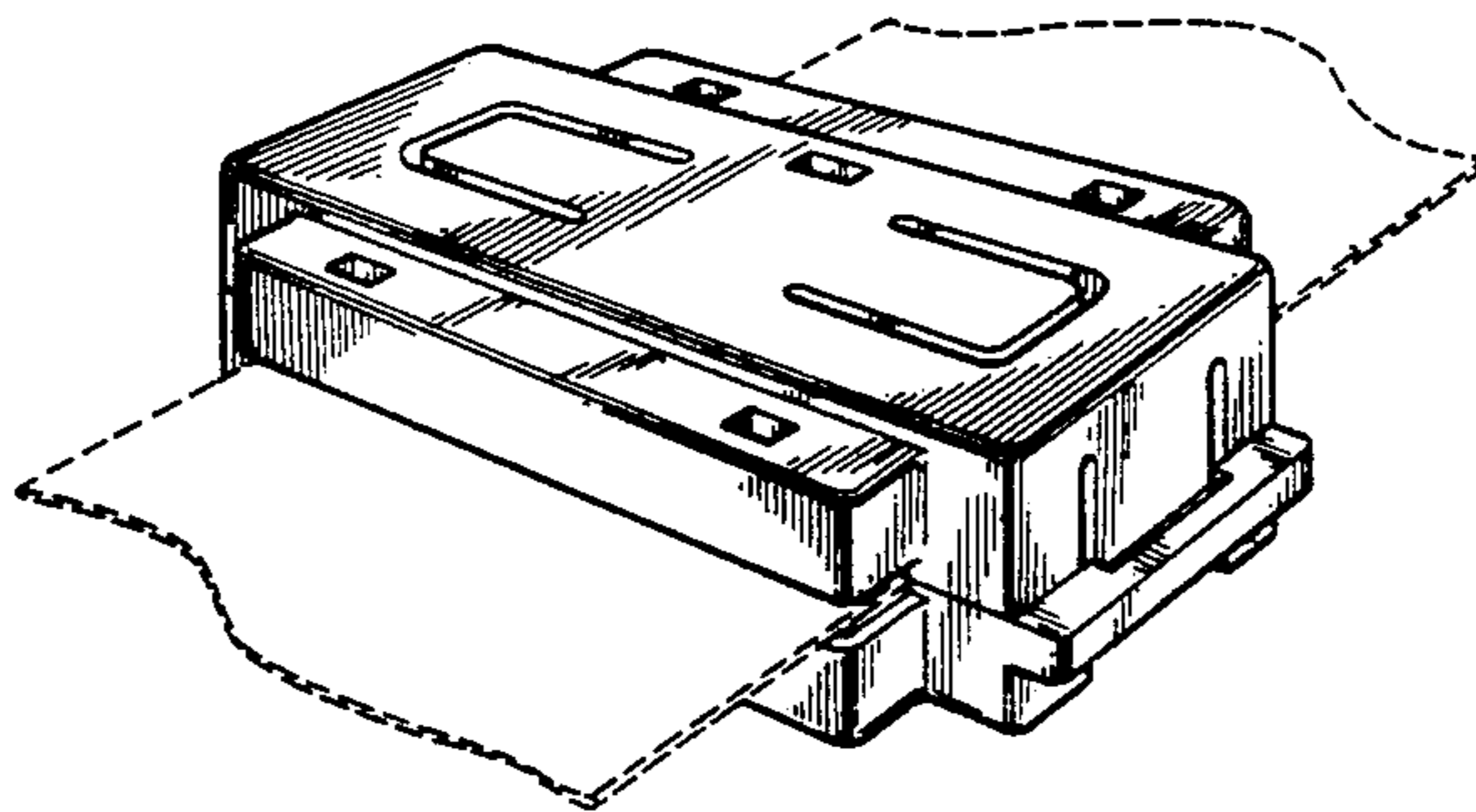
FIG. 3 is a front elevational view thereof;

FIG. 4 is a rear elevational view thereof;

FIG. 5 is a top plan view thereof;

FIG. 6 is a bottom plan view thereof; and,

FIG. 7 is a right side elevational view thereof, the left side elevational view thereof being a mirror image.



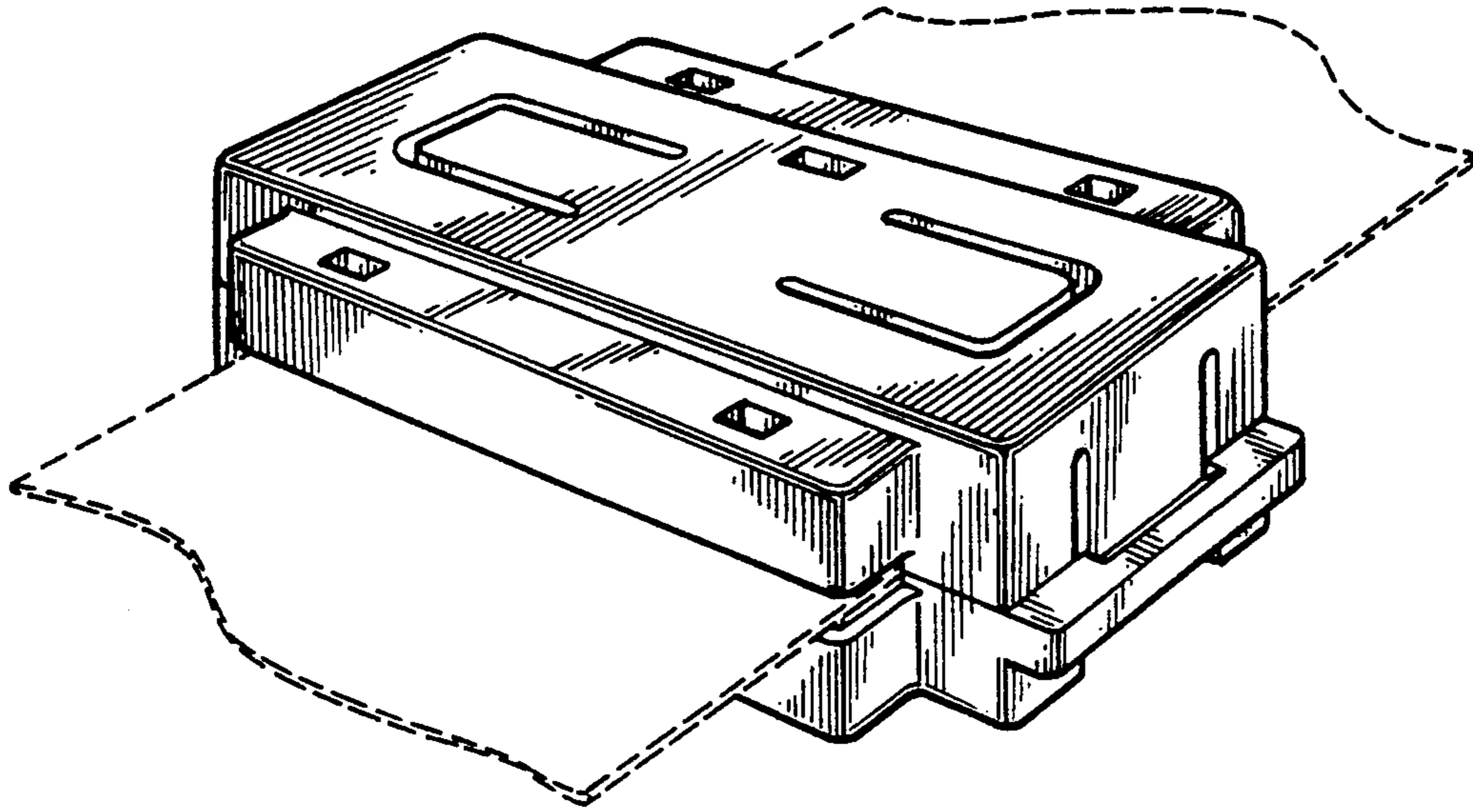


FIG. 1

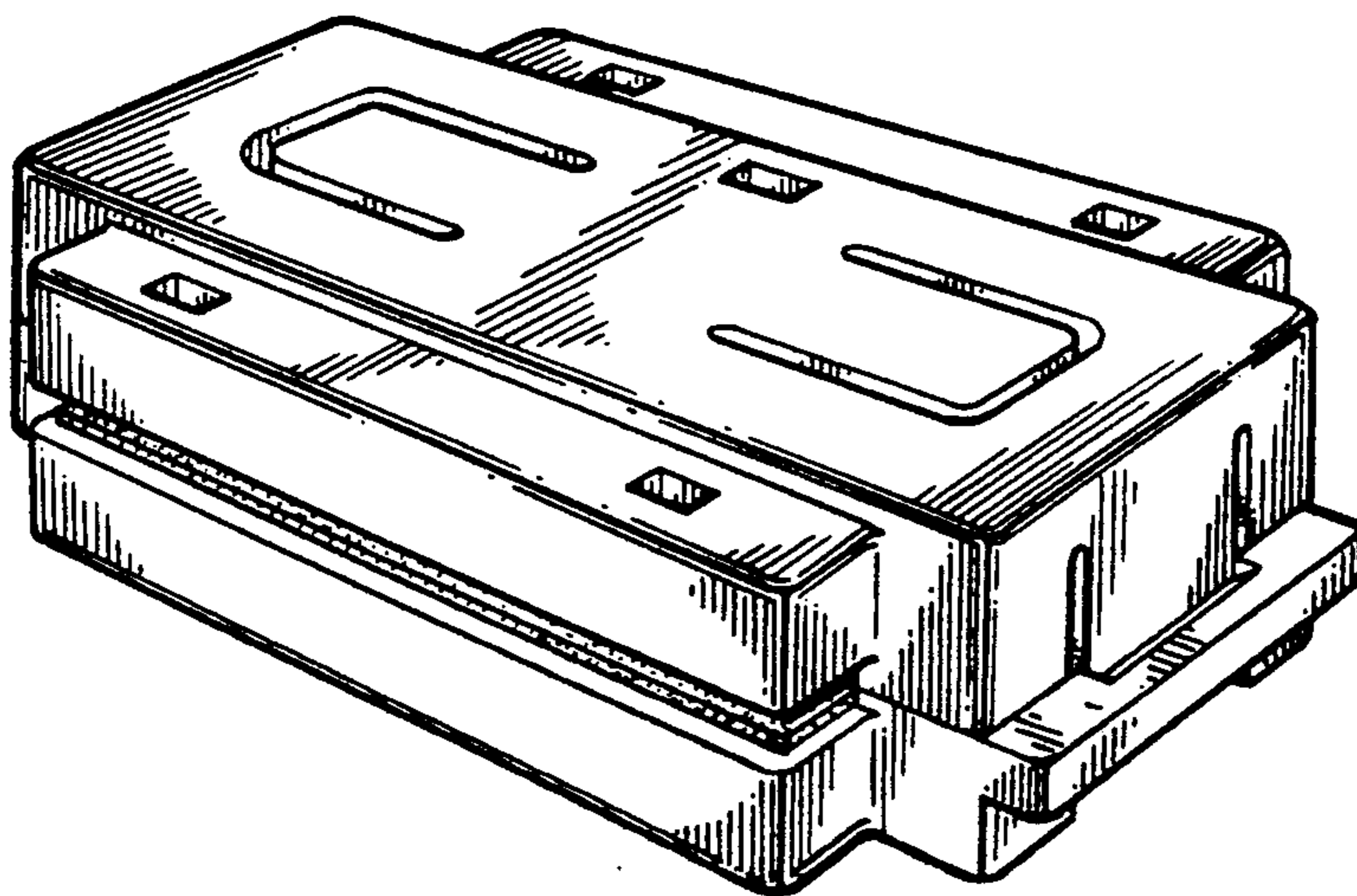


FIG. 2

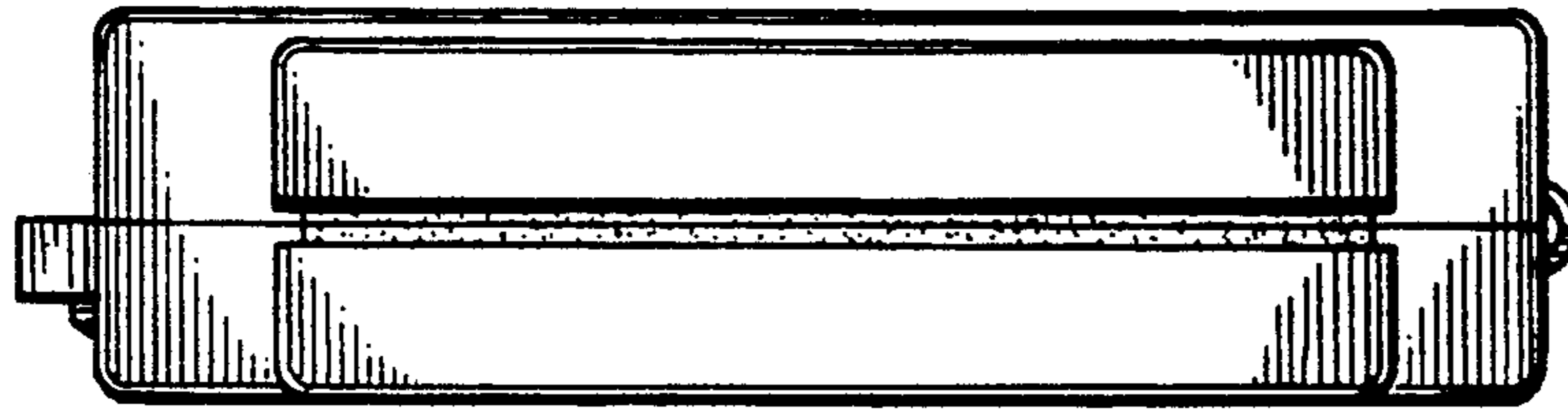


FIG. 7

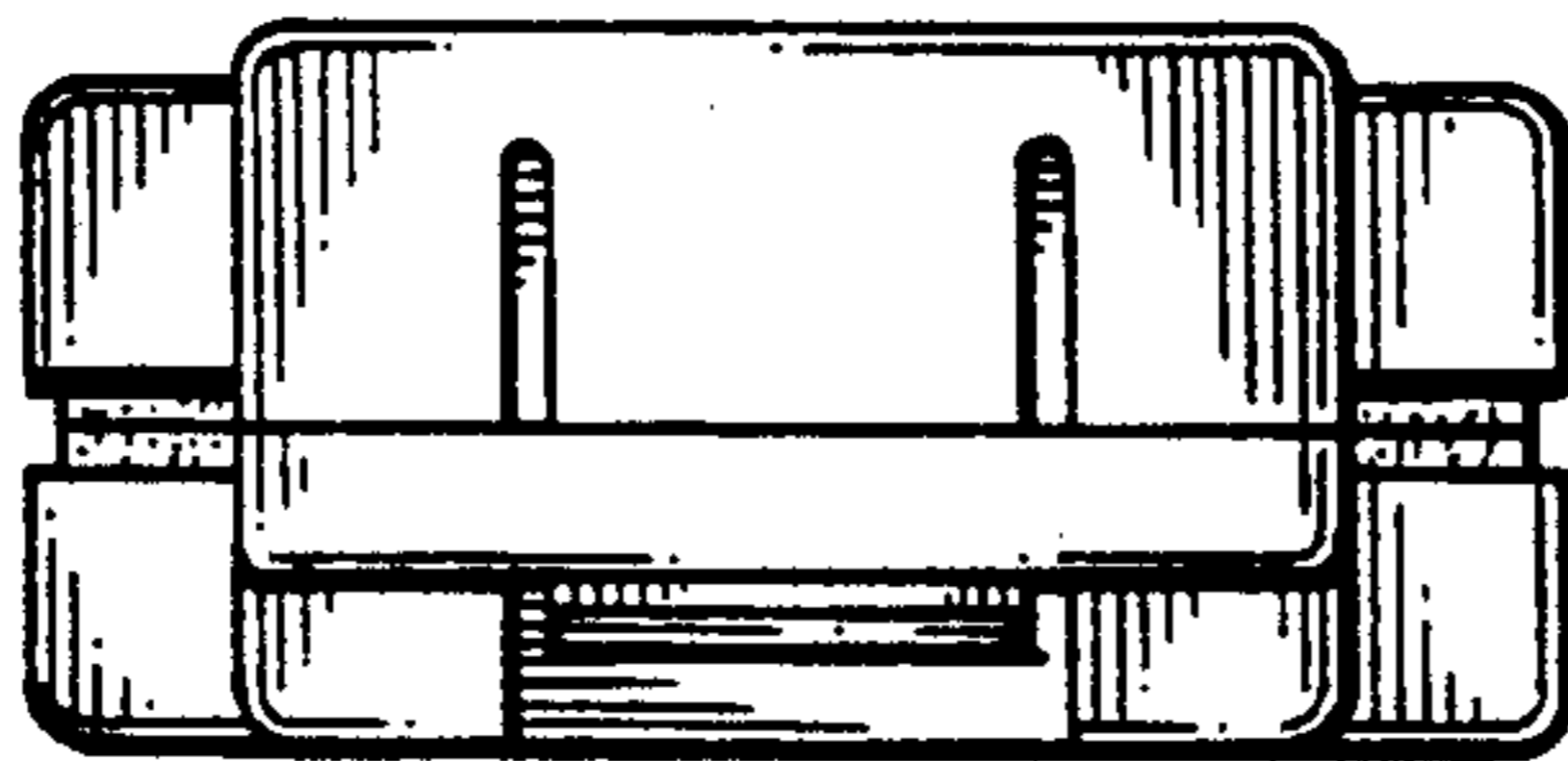


FIG. 3

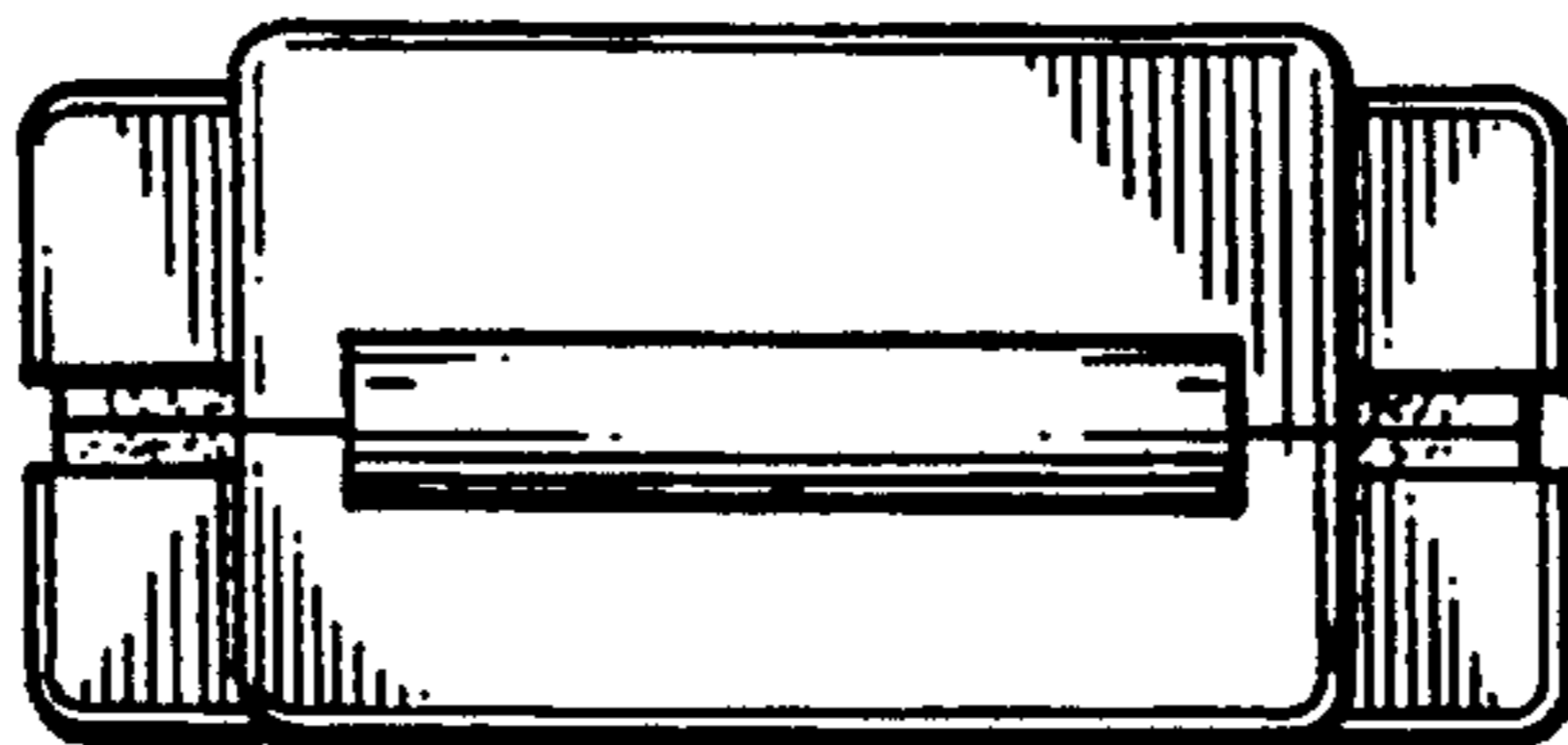


FIG. 4

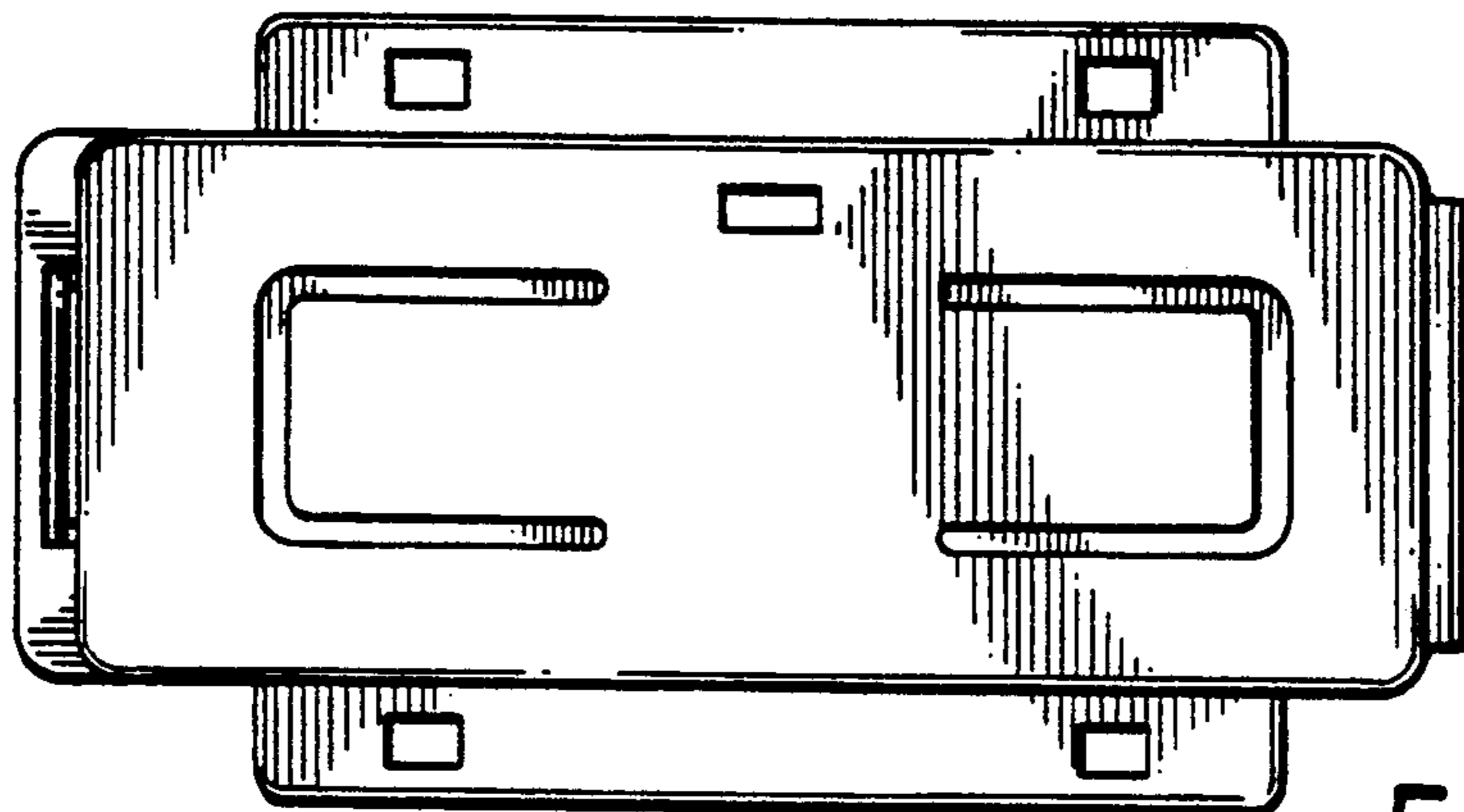


FIG. 5

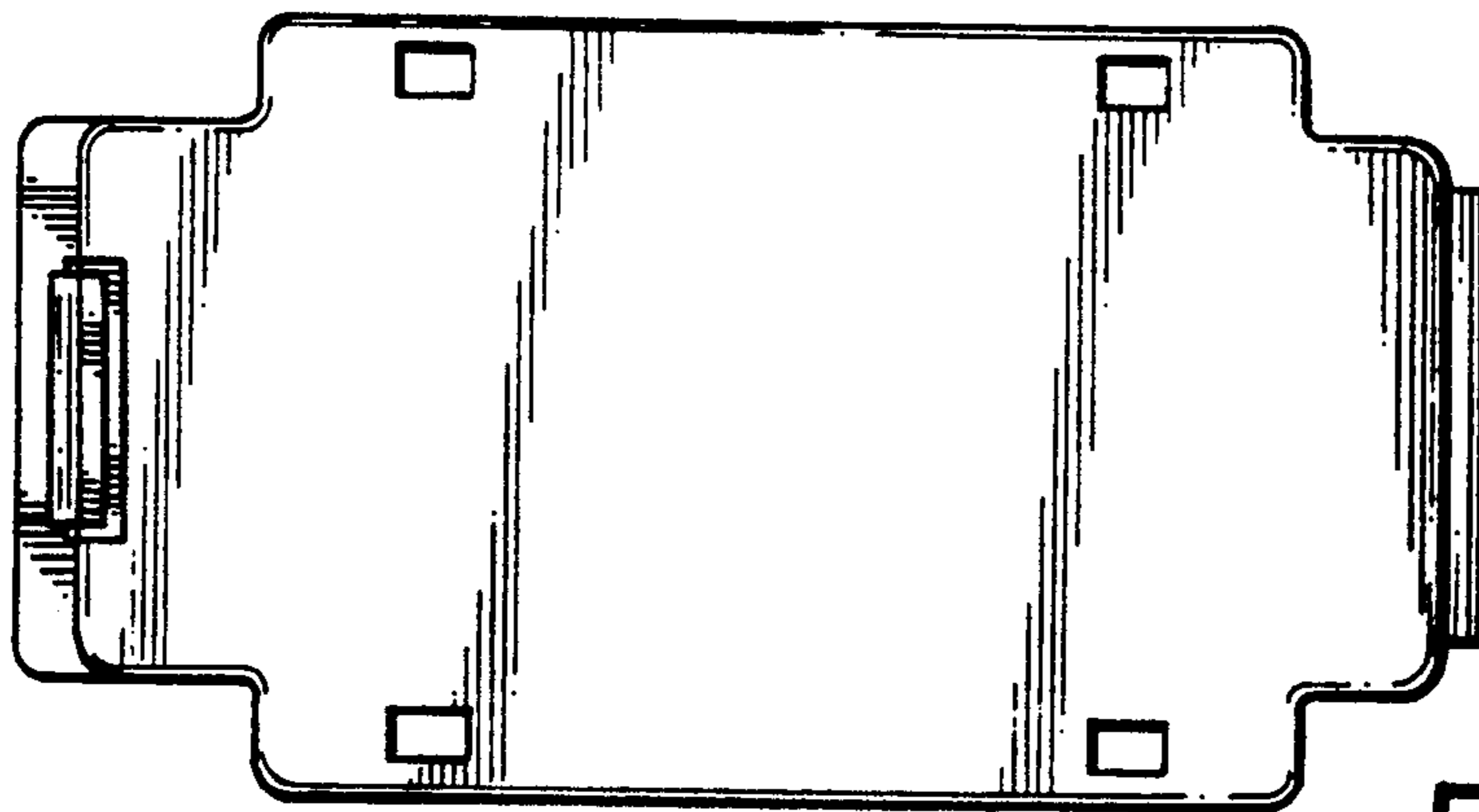


FIG. 6