



US00D330540S

# United States Patent [19]

[11] Patent Number: **Des. 330,540**

**Tanaka**

[45] Date of Patent: **\*\* Oct. 27, 1992**

[54] **ELECTRICAL CONNECTOR**

4,641,908	2/1987	Steffinger .....	439/600 X
4,832,614	5/1989	Jenkins .....	439/595 X
4,900,261	2/1990	Gentry et al. ....	439/680 X

[75] Inventor: **Hideo Tanaka, Tokyo, Japan**

[73] Assignee: **Hirose Electric Co., Ltd., Tokyo, Japan**

[\*\*] Term: **14 Years**

[21] Appl. No.: **624,252**

[22] Filed: **Dec. 7, 1990**

[30] **Foreign Application Priority Data**

Jun. 21, 1990 [JP] Japan ..... 2-20834

[52] U.S. Cl. .... **D13/147**

[58] Field of Search ..... D13/133, 146, 147;  
439/282, 345, 350, 353, 354, 355, 357, 586, 587,  
595, 596, 597, 598, 600, 607, 625, 629, 680, 682,  
752

[56] **References Cited**

**U.S. PATENT DOCUMENTS**

D. 271,685	12/1983	Casciotti et al. ....	D13/147
D. 318,266	7/1991	Matsuzaki .....	D13/147
4,623,211	11/1986	Dambach et al. ....	439/607
4,640,566	2/1987	Matsusaka .....	439/350

**OTHER PUBLICATIONS**

25 Pin receptacle shown on p. 2 of TEC Electronic Components, Inc. catalog.

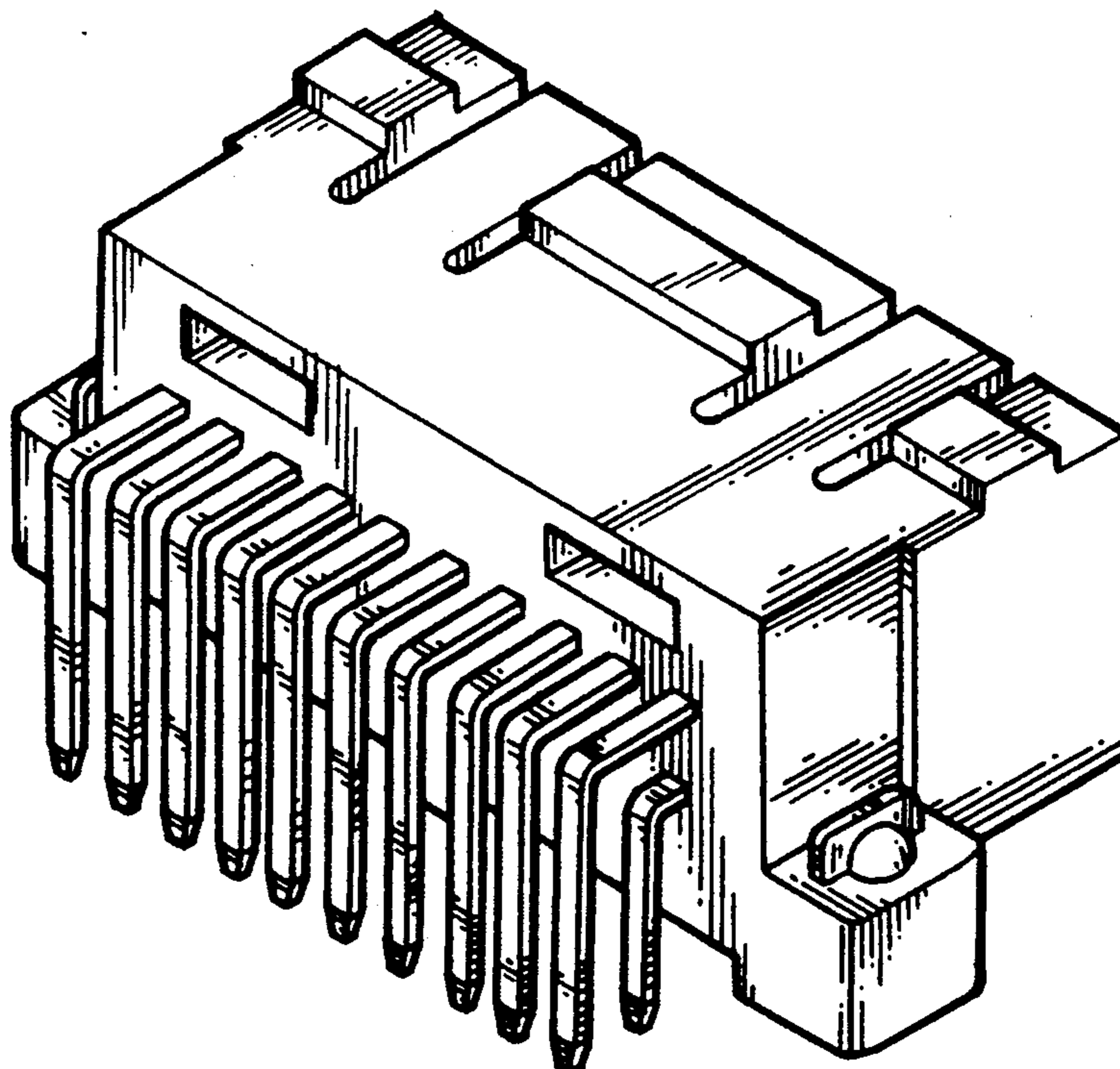
*Primary Examiner*—Wallace R. Burke  
*Assistant Examiner*—Joel Sinkavage  
*Attorney, Agent, or Firm*—Kanesaka & Takeuchi

[57] **CLAIM**

The ornamental design for an electrical connector, as shown and described.

**DESCRIPTION**

FIG. 1 is a rear and upper left perspective view of an electrical connector showing my new design. The lower row of leads, except for the lead on the near end, has been omitted for clarity of illustration; FIG. 2 is a rear elevational view thereof; FIG. 3 is a top plan view thereof; FIG. 4 is a right side elevational view thereof, the left side elevational view thereof being a mirror image; FIG. 5 is a front elevational view thereof; and, FIG. 6 is a bottom plan view thereof.



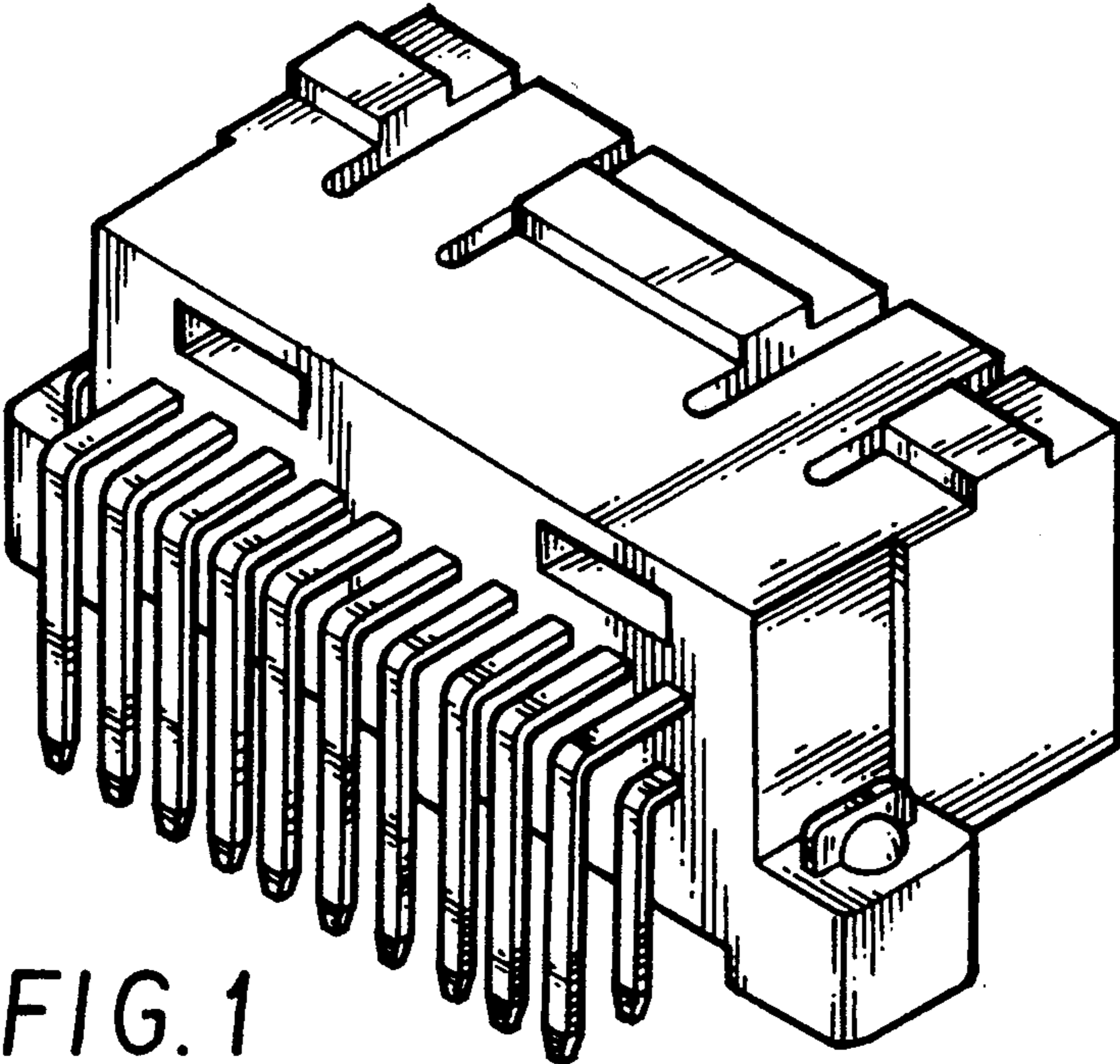


FIG. 1

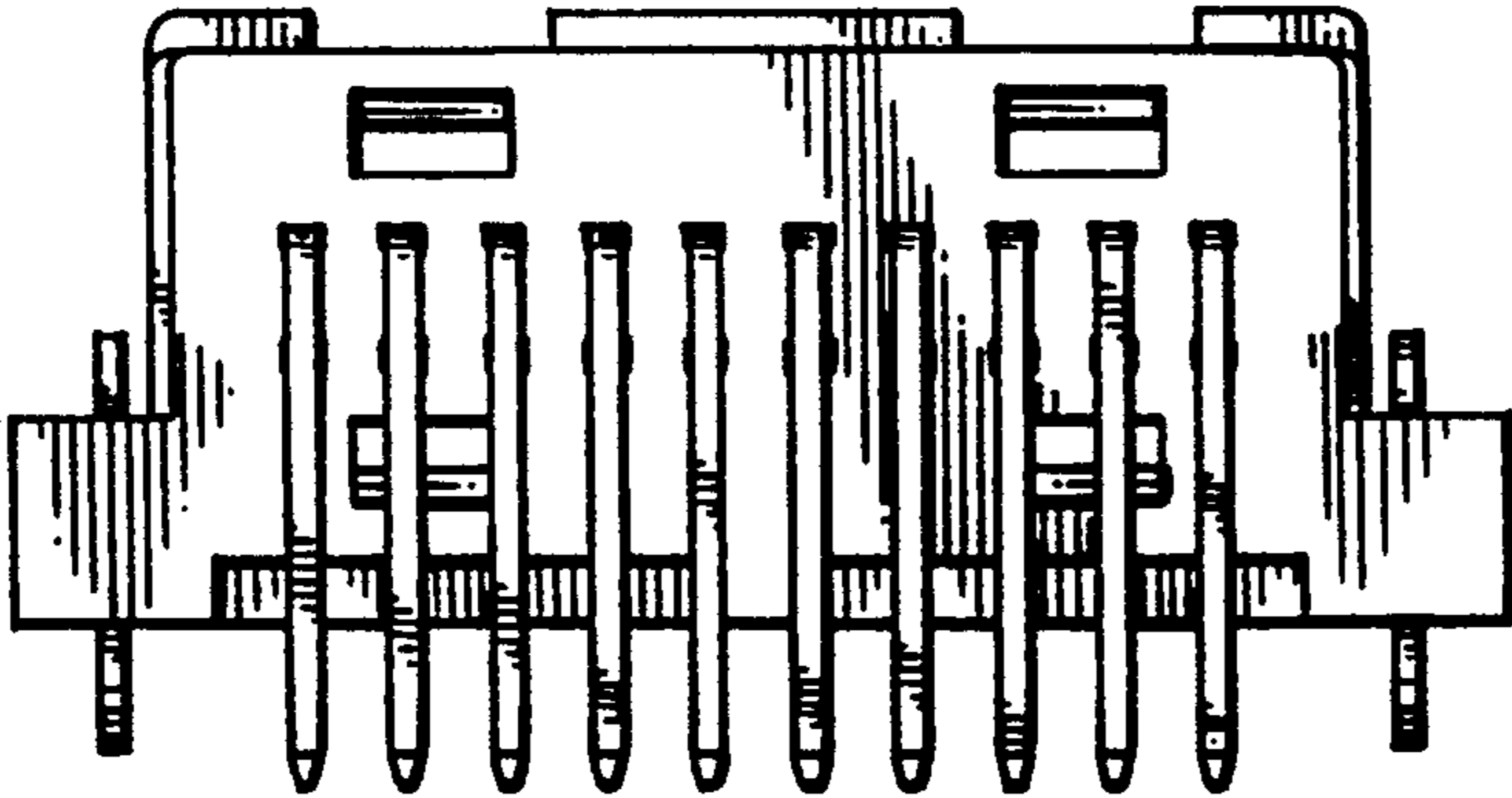


FIG. 2

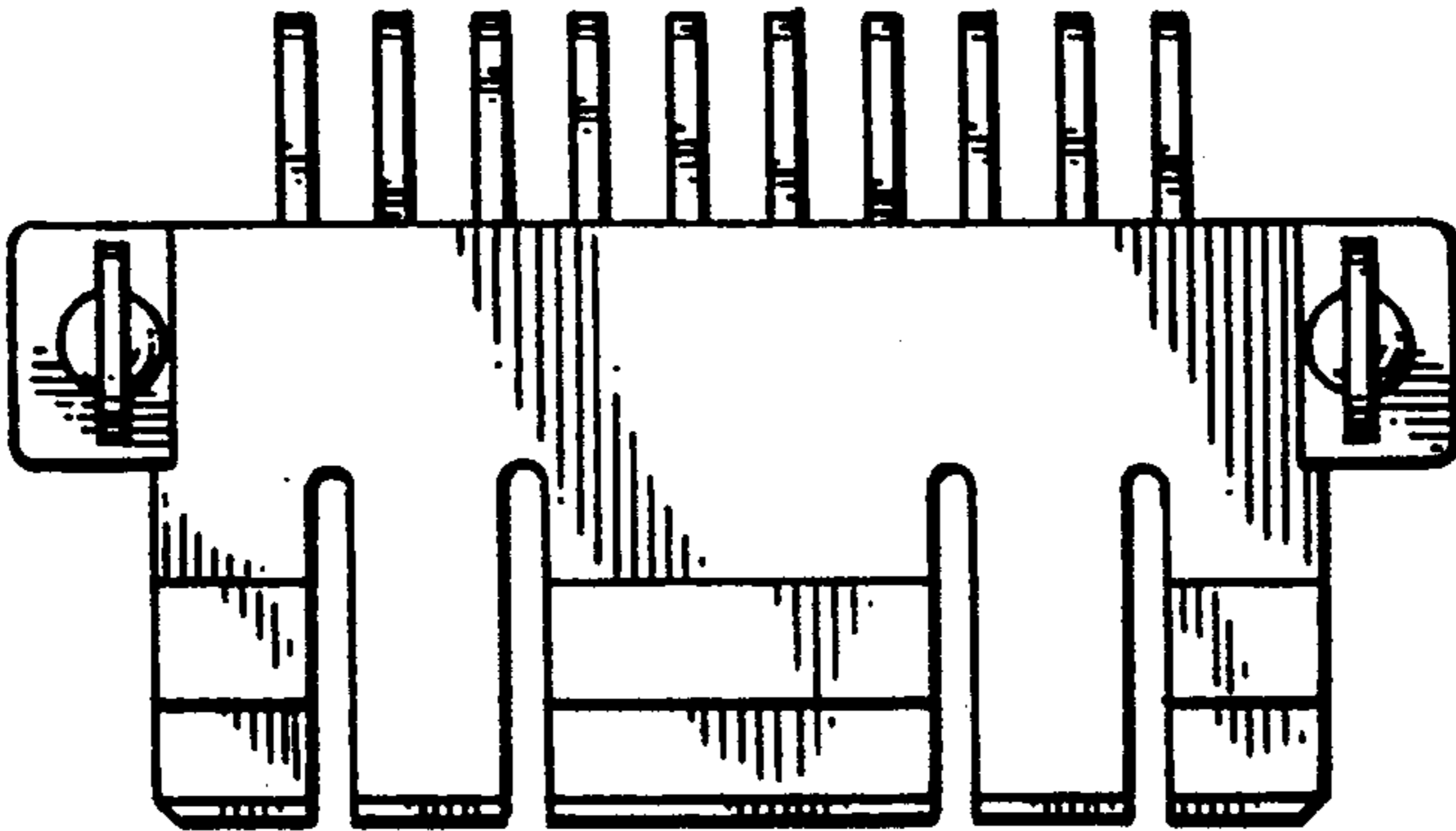


FIG. 3

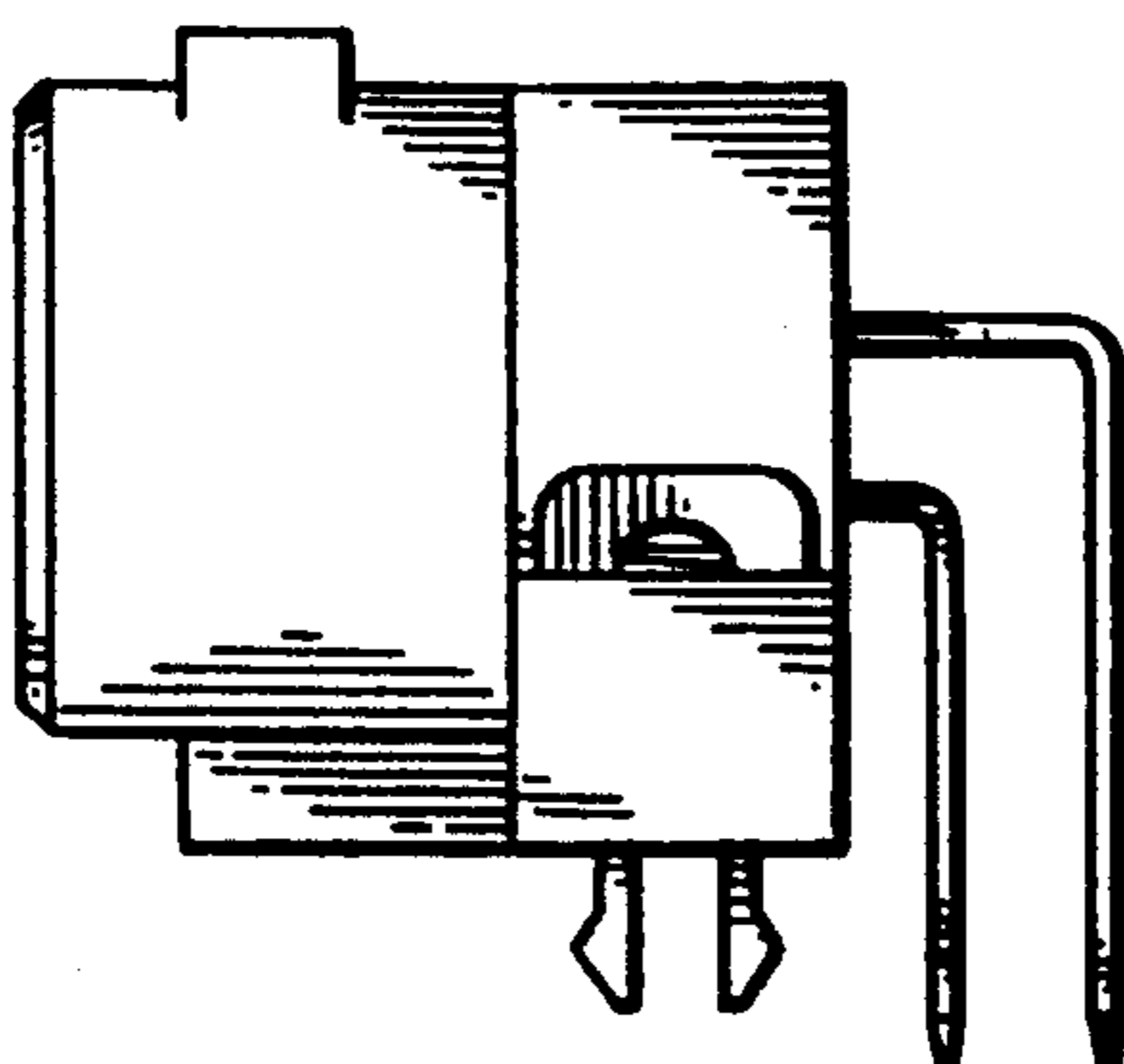


FIG. 4

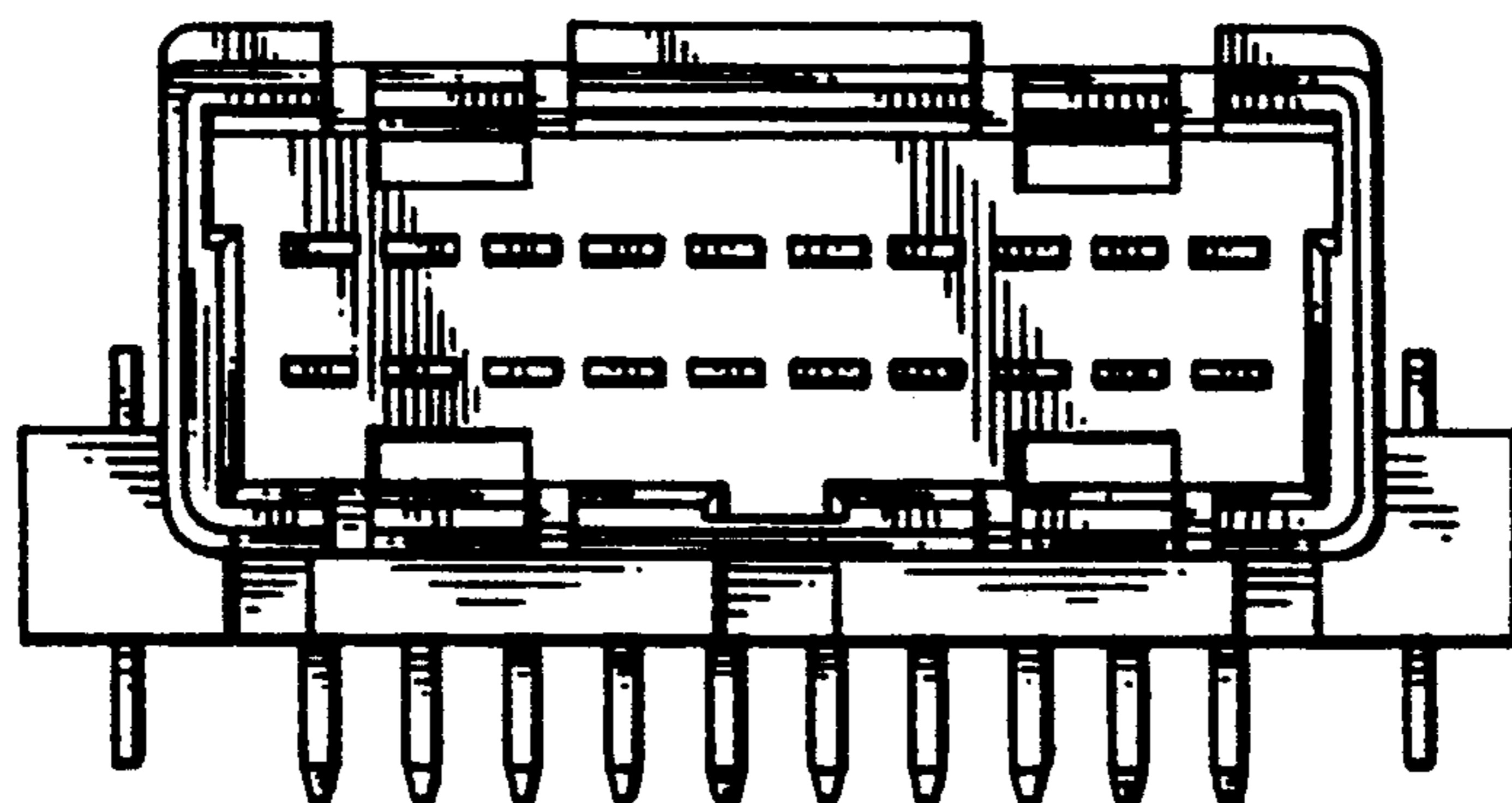


FIG. 5

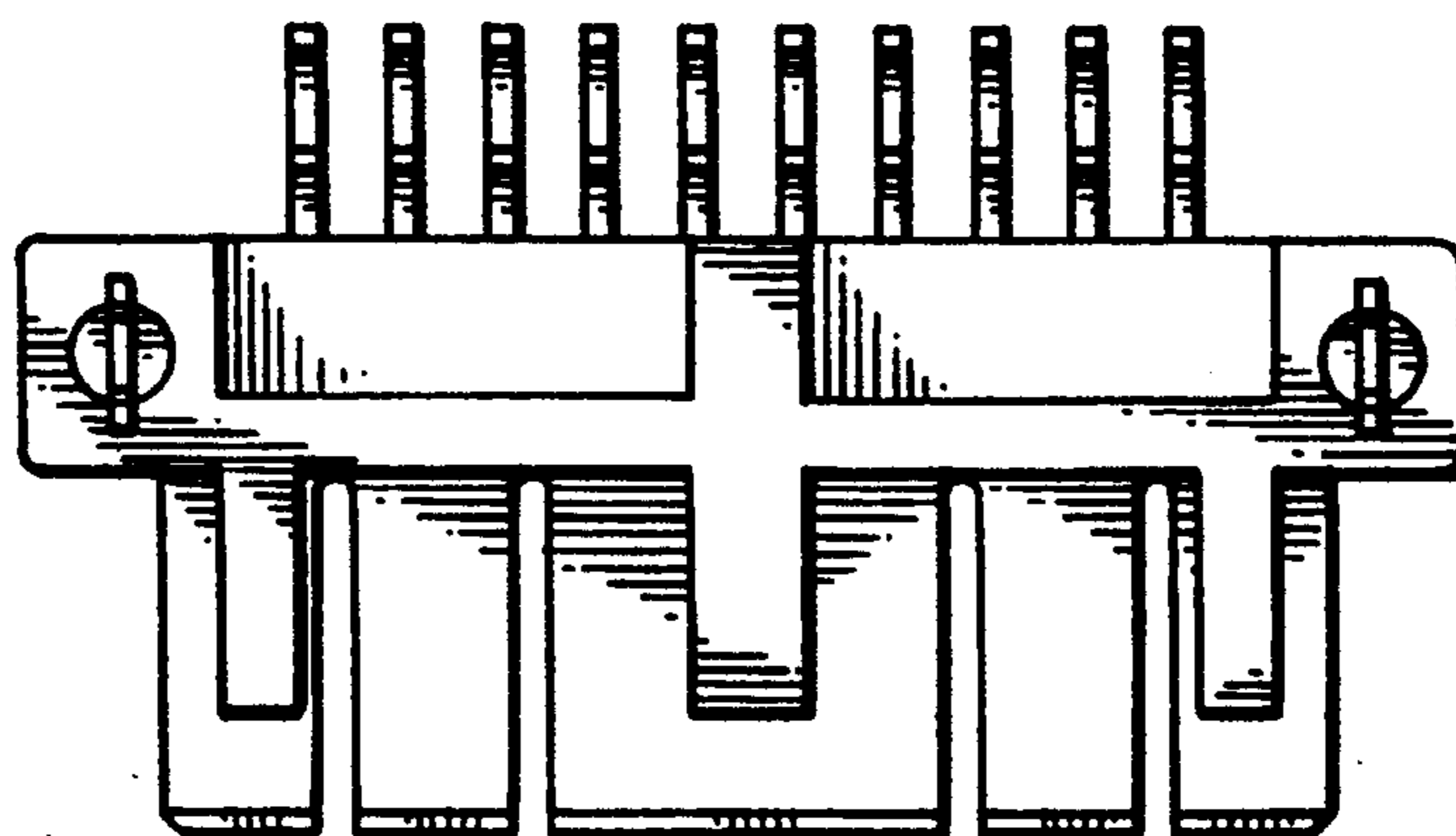


FIG. 6