



US00D330538S

United States Patent [19] Meyer

[11] Patent Number: **Des. 330,538**

[45] Date of Patent: **** Oct. 27, 1992**

[54] **OPTICAL COUPLING CONNECTOR**

[76] Inventor: **Hans U. Meyer, 42, rue de Lausanne, 1110 Morges, Switzerland**

[**] Term: **14 Years**

[21] Appl. No.: **528,799**

[22] Filed: **May 25, 1990**

[30] **Foreign Application Priority Data**

Nov. 29, 1989 [IB] Int'l Pat. Institute **DM/015 192**

[52] U.S. Cl. **D13/133**

[58] Field of Search **D13/133; 439/55, 329, 439/924; 250/227.11; 385/31, 44, 47, 78, 87, 88**

[56] **References Cited**

U.S. PATENT DOCUMENTS

- 3,407,378 10/1968 Siders et al. 439/924 X
- 4,736,100 4/1988 Vastagh 250/227.11
- 4,798,430 1/1989 Johnson et al. 385/78
- 4,944,568 7/1990 Danbach et al. 385/88

- 4,982,083 1/1991 Graham et al. 250/227.11
- 5,013,247 5/1991 Watson 439/329 X

FOREIGN PATENT DOCUMENTS

- 0056476 4/1982 Japan 439/329

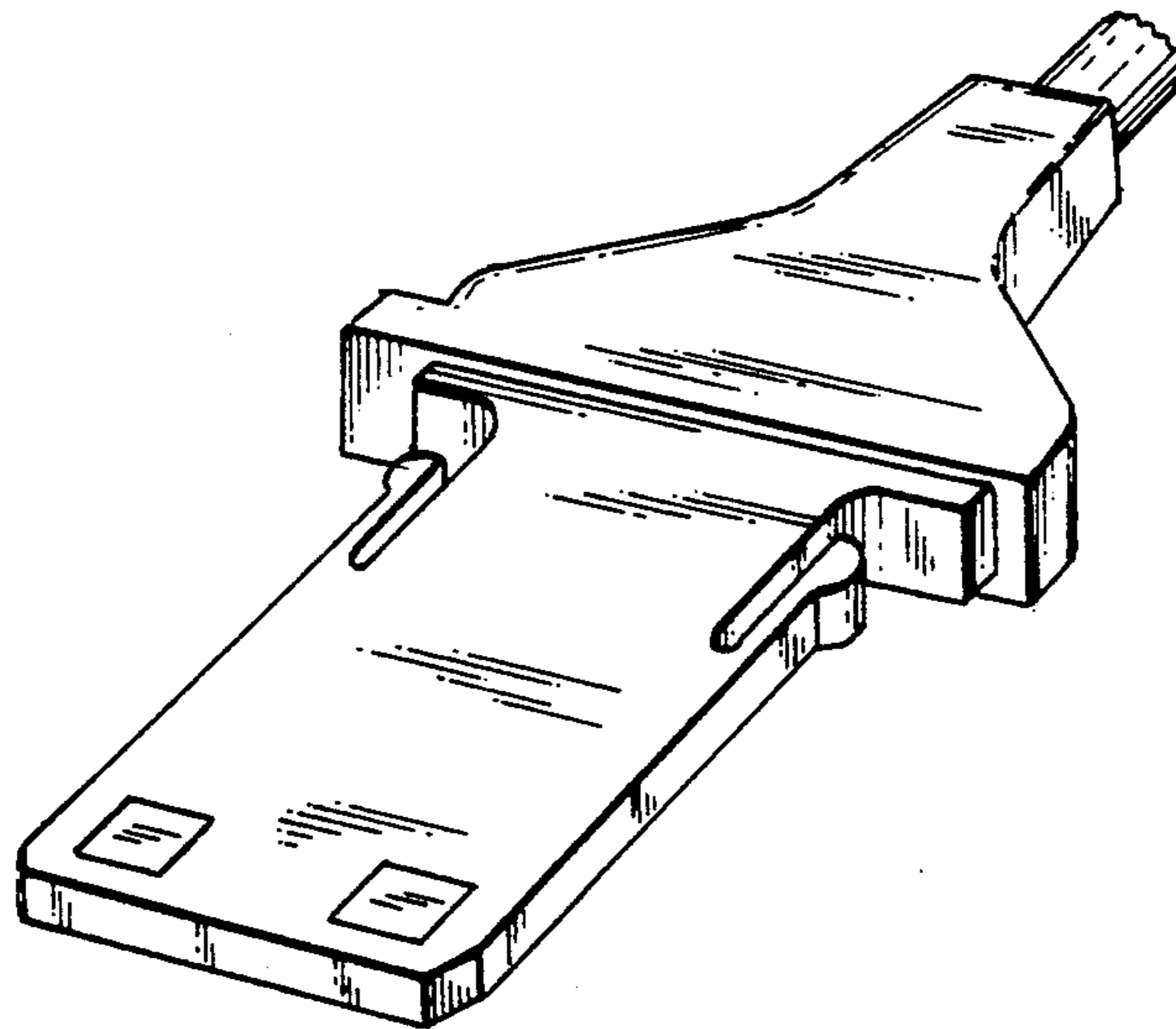
Primary Examiner—Wallace R. Burke
Assistant Examiner—Joel Sincavage
Attorney, Agent, or Firm—Young & Thompson

[57] **CLAIM**

The ornamental design for an optical coupling connector, as shown.

DESCRIPTION

FIG. 1 is a front and upper right perspective view of an optical coupling connector showing my new design; **FIG. 2** is a rear elevational view thereof; **FIG. 3** is a front elevational view thereof; **FIG. 4** is a top plan view thereof; **FIG. 5** is a right side elevational view thereof; **FIG. 6** is a bottom plan view thereof; and, **FIG. 7** is a left side elevational view thereof.



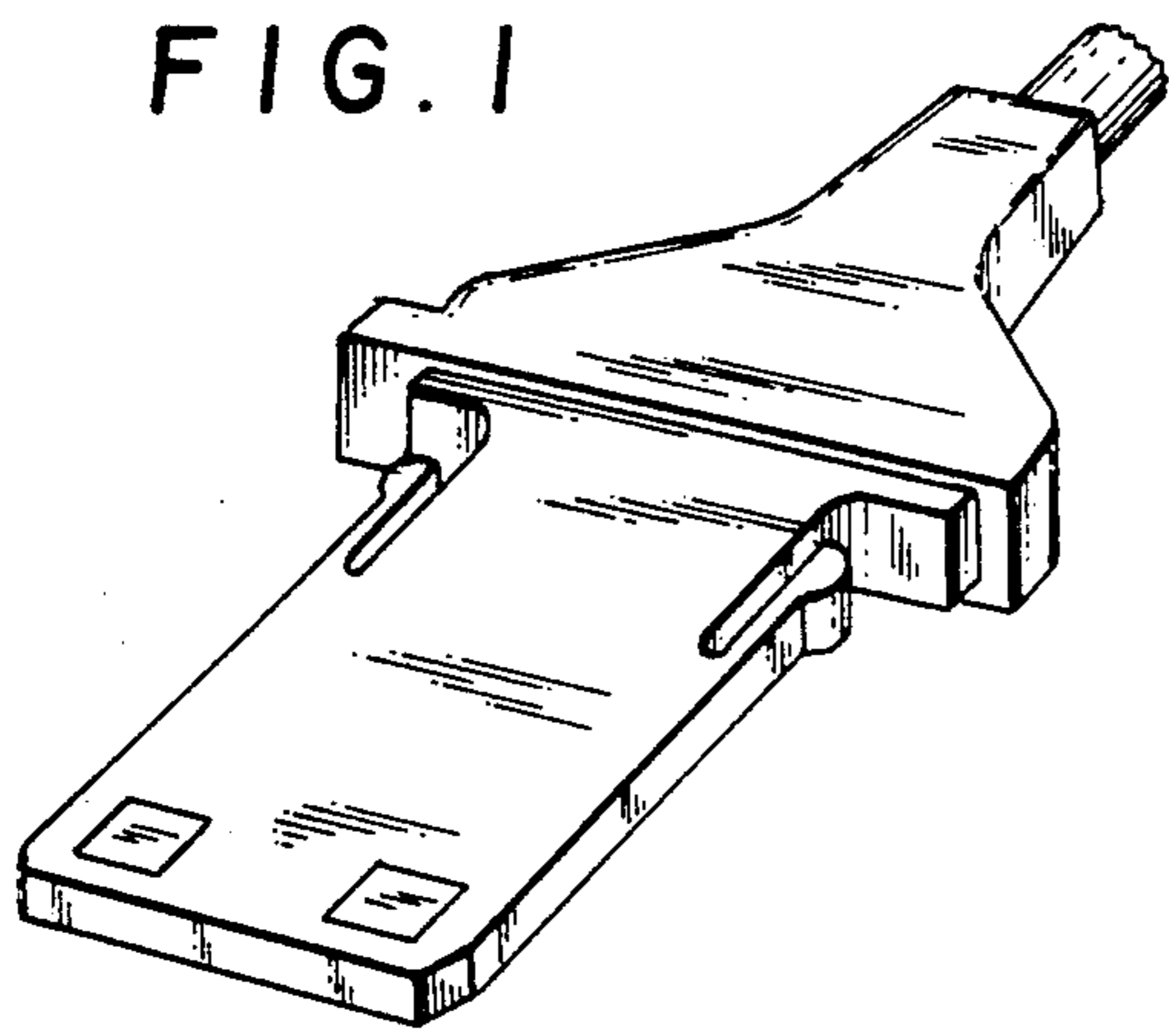


FIG. 2



FIG. 3

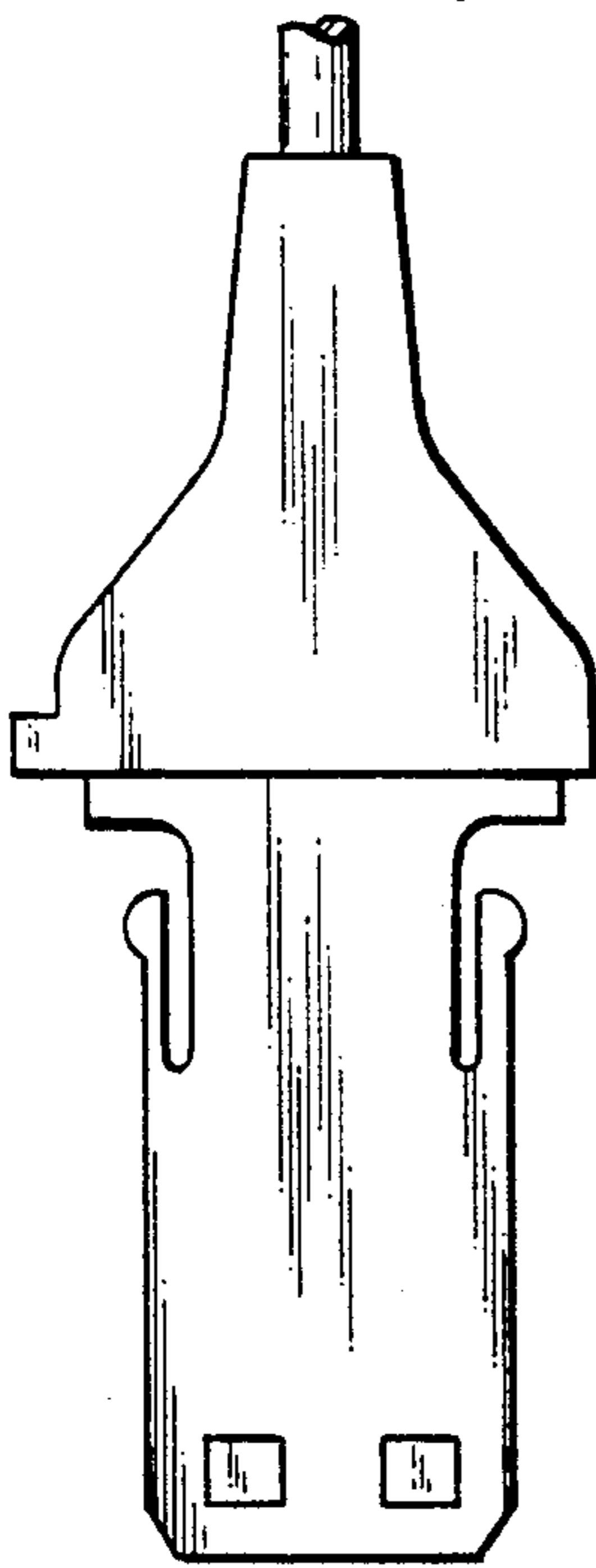


FIG. 4



FIG. 5

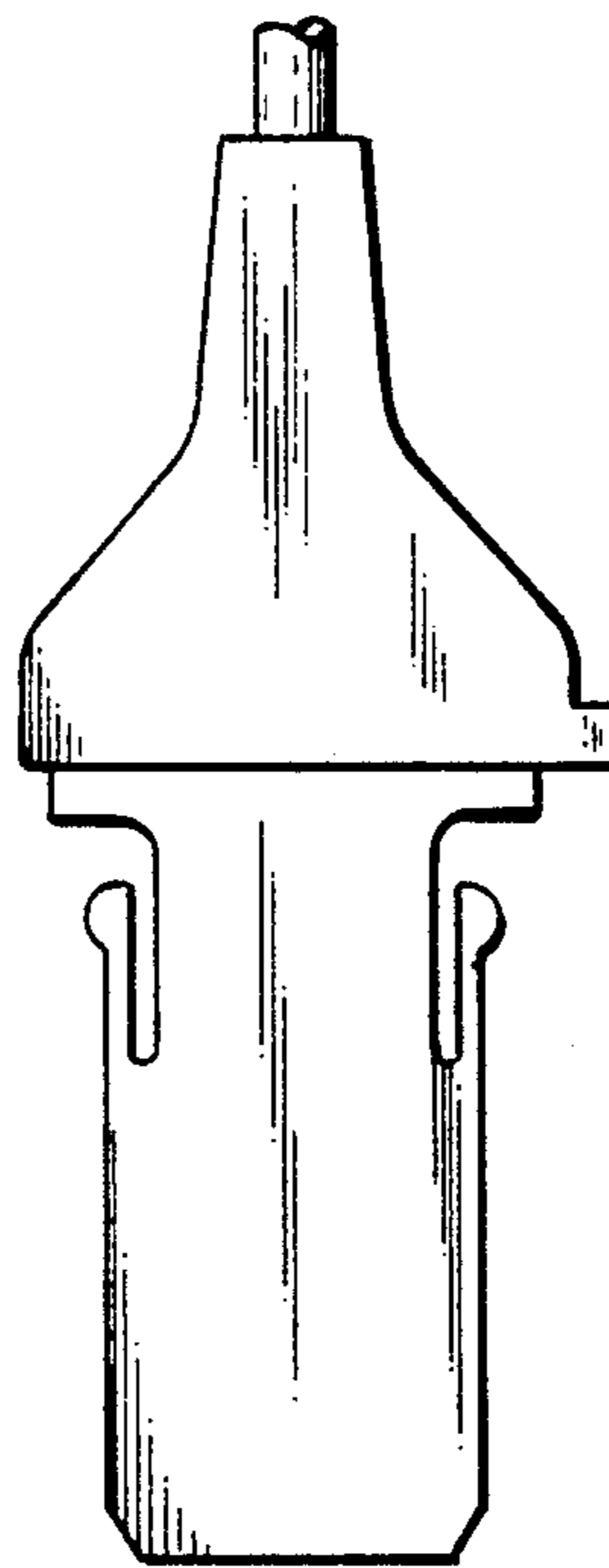


FIG. 6



FIG. 7