



US00D330526S

United States Patent [19]

[11] Patent Number: **Des. 330,526**

Williams

[45] Date of Patent: **** Oct. 27, 1992**

[54] HOVERCRAFT

[76] Inventor: **Chris D. Williams, 2912 North Ave.
#5, Grand Junction, Colo. 81504**

[**] Term: **14 Years**

[21] Appl. No.: **570,701**

[22] Filed: **Aug. 22, 1990**

[52] U.S. Cl. **D12/5**

[58] Field of Search **D12/5, 37, 36;
104/115-121; 105/141, 144-147; 180/116, 117,
123, 125, 127, 128**

3,412,689	11/1968	Hawes	104/118
3,669,026	6/1972	Mouritzen	104/118
3,768,417	10/1973	Thornton	104/148
4,356,772	11/1982	van der Heode	104/282
4,646,651	3/1987	Yamamura	104/281

Primary Examiner—Wallace R. Burke
Assistant Examiner—Melody Brown
Attorney, Agent, or Firm—Terry M. Gernstein

[57] CLAIM

The ornamental design for a hovercraft, as shown.

DESCRIPTION

FIG. 1 is a perspective view of a hovercraft showing my new design;

FIG. 2 is a front end elevational view thereof;

FIG. 3 is a rear end elevational view thereof;

FIG. 4 is a side elevational view thereof;

FIG. 5 is an opposite side elevational view thereof;

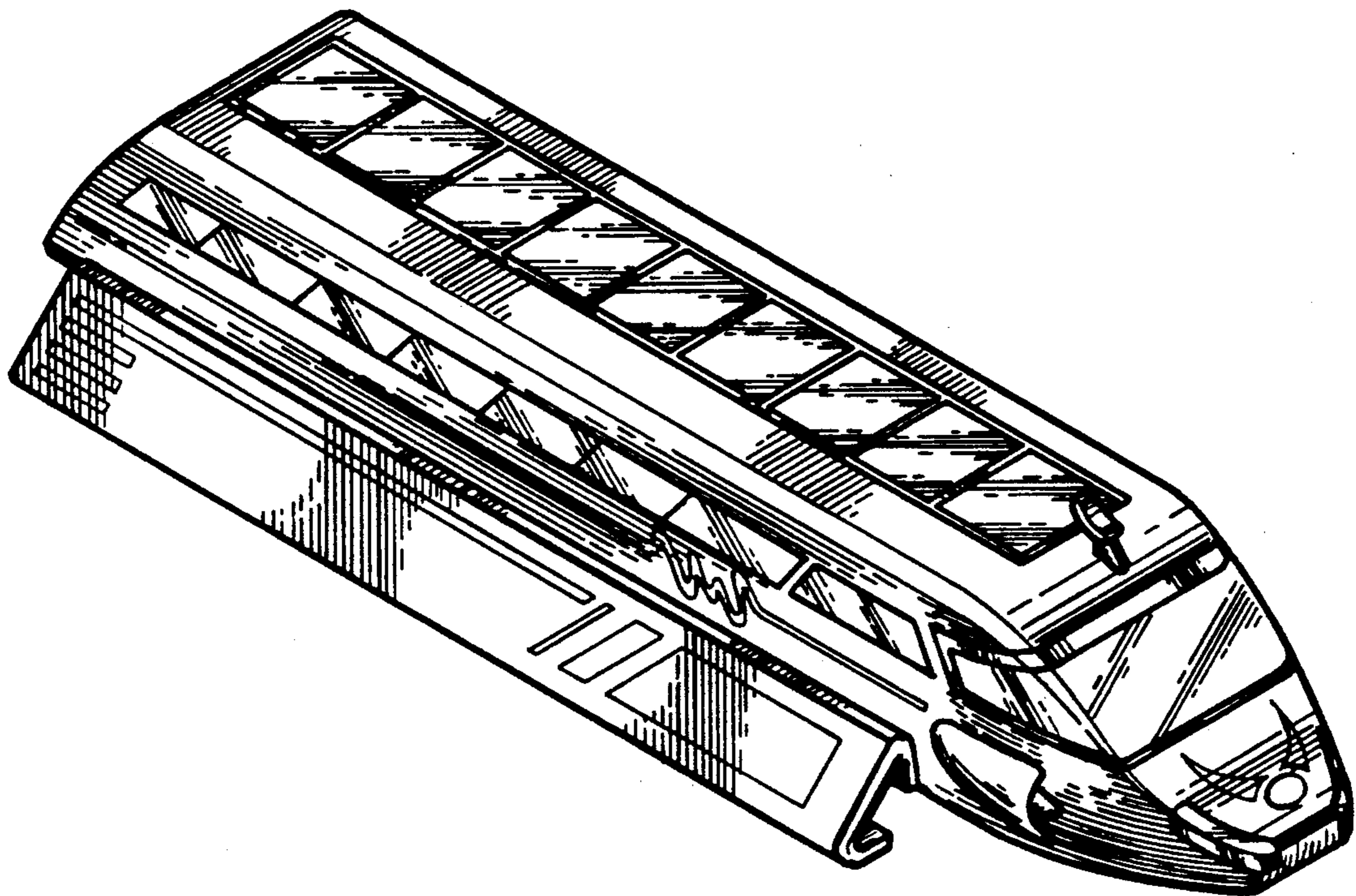
FIG. 6 is a top plan view thereof; and,

FIG. 7 is a bottom plan view thereof.

[56] References Cited

U.S. PATENT DOCUMENTS

D. 188,475	7/1960	Gurr	D12/36
D. 189,461	12/1960	Statler	D12/37
D. 277,657	2/1985	Chaplin	D12/5
D. 292,971	12/1987	Frech et al.	D12/37
D. 320,581	10/1991	Gallitzendorfer	D12/37



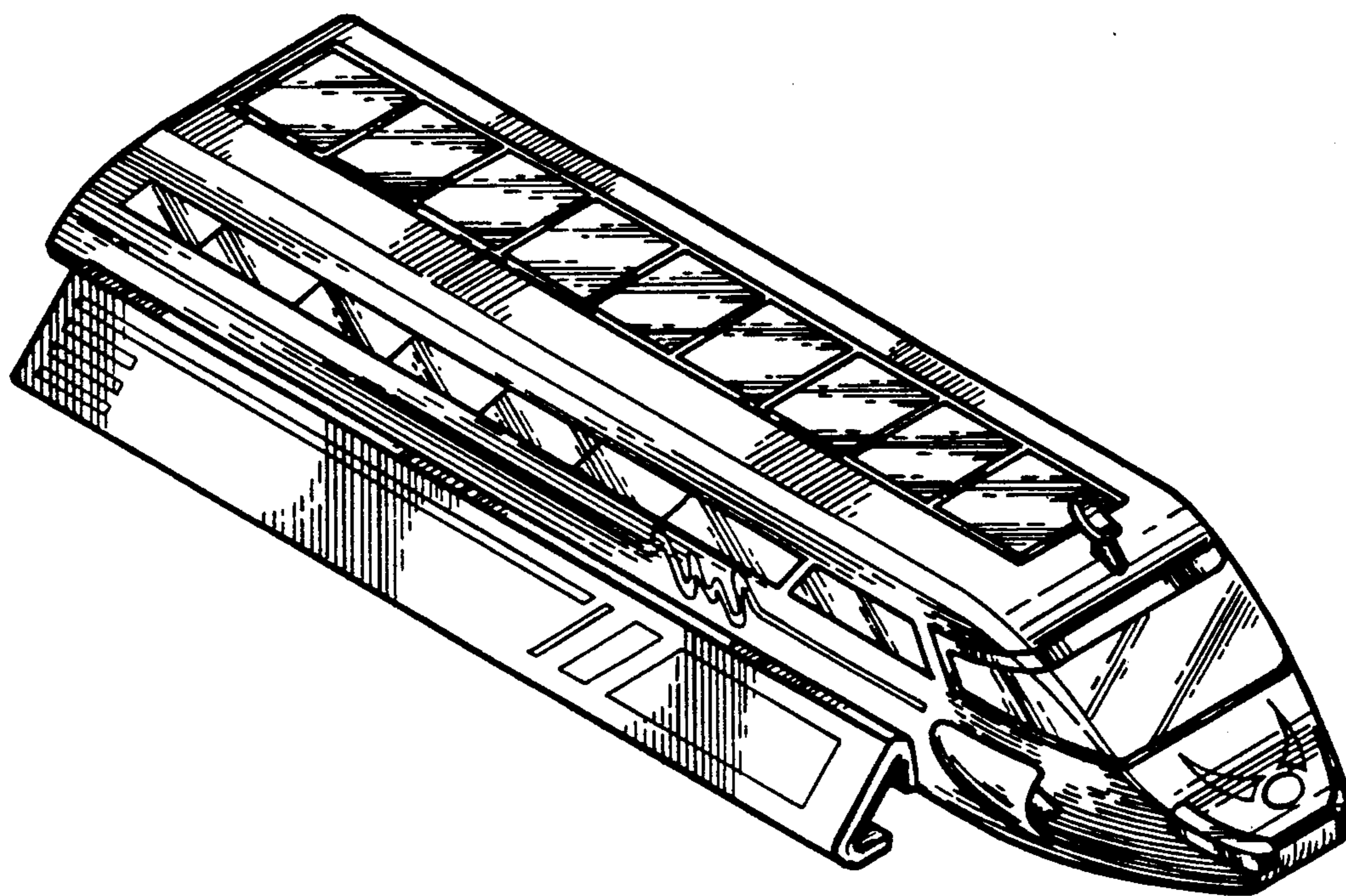


FIG. 1

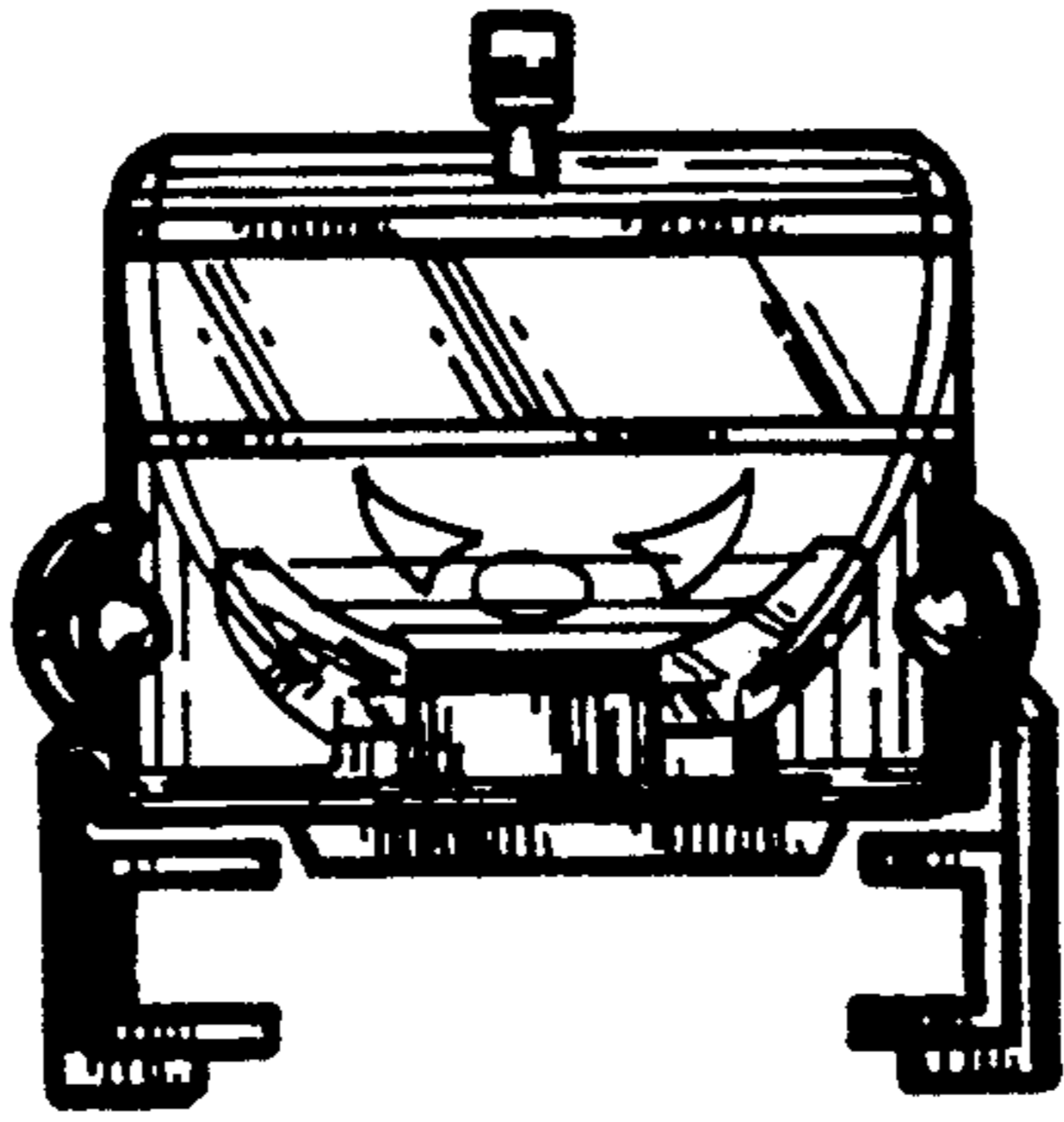


FIG. 2

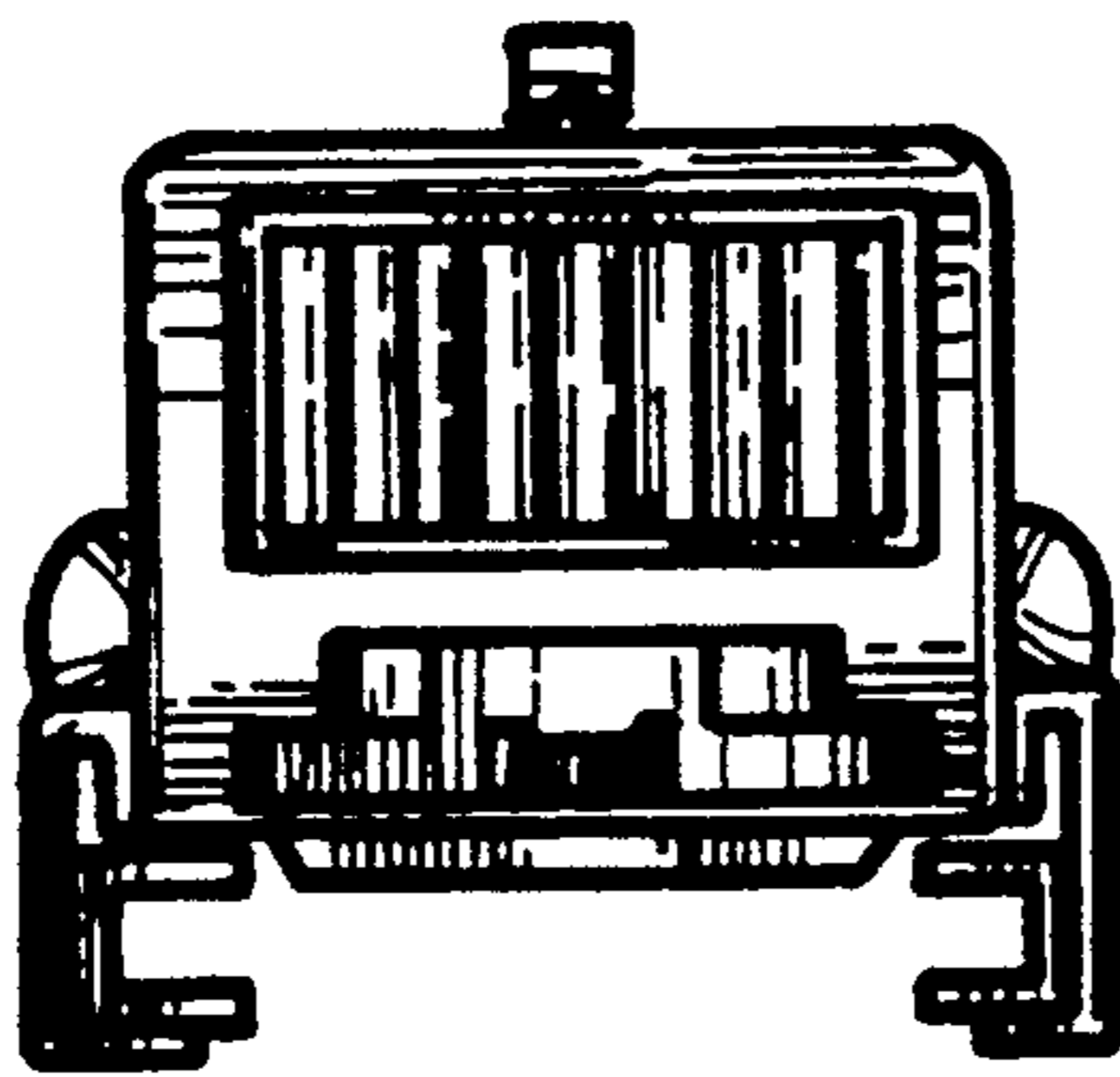


FIG. 3

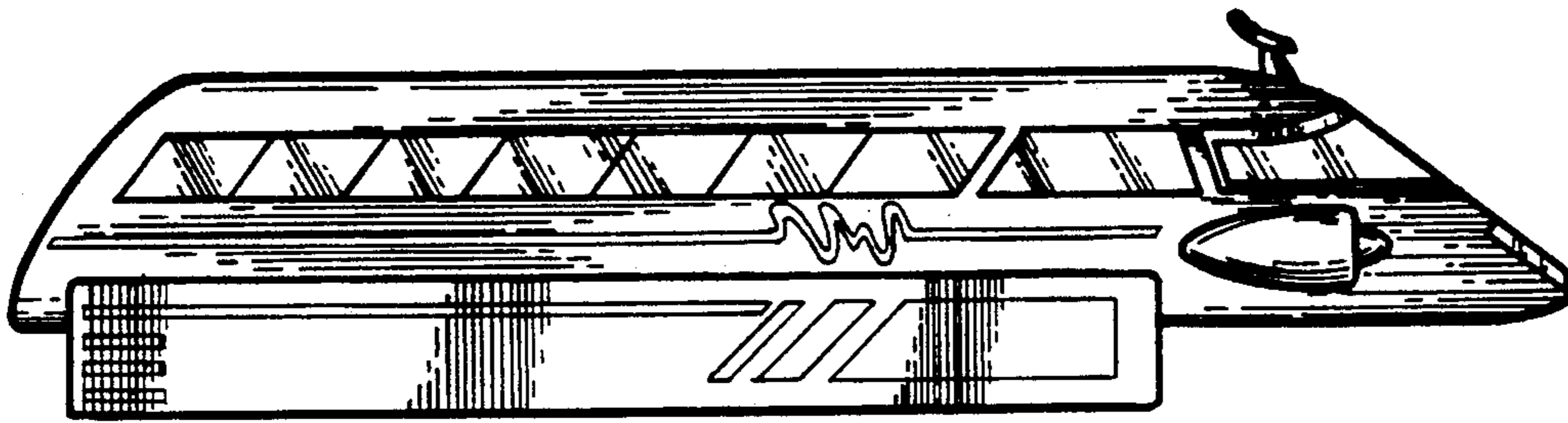


FIG. 4

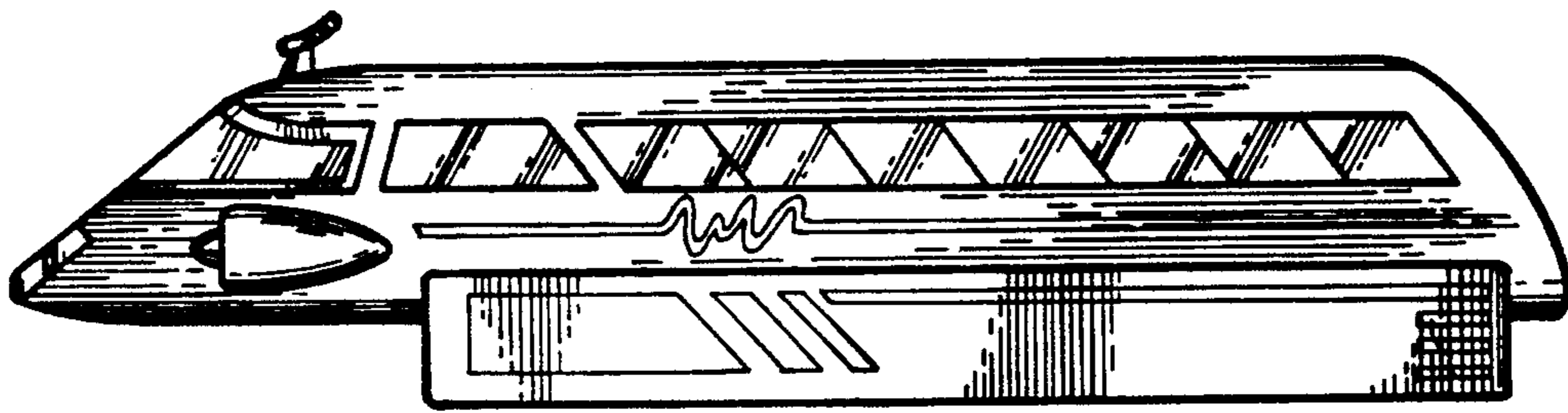


FIG. 5

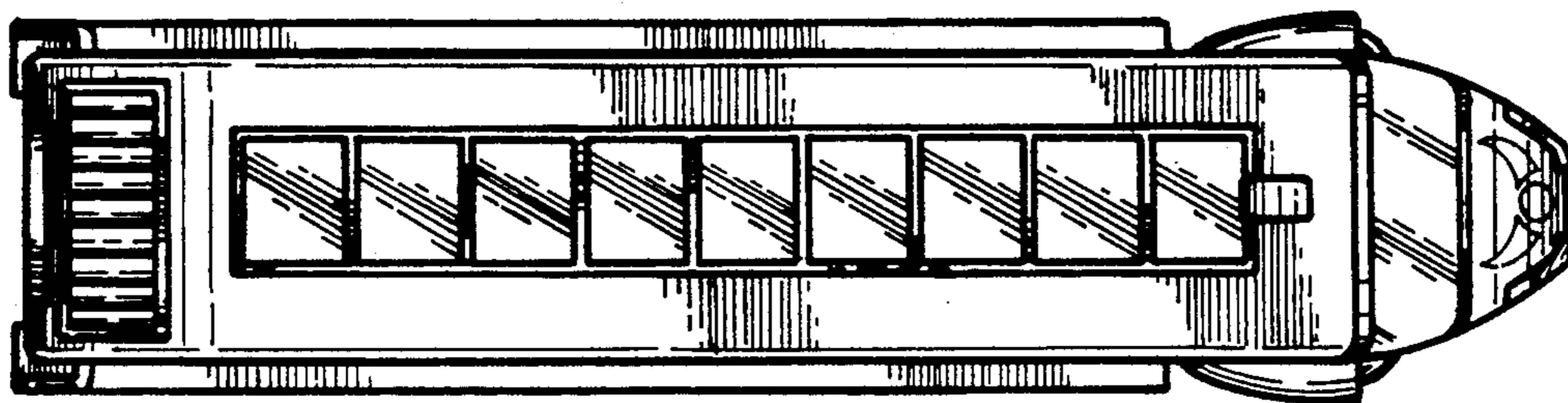


FIG. 6

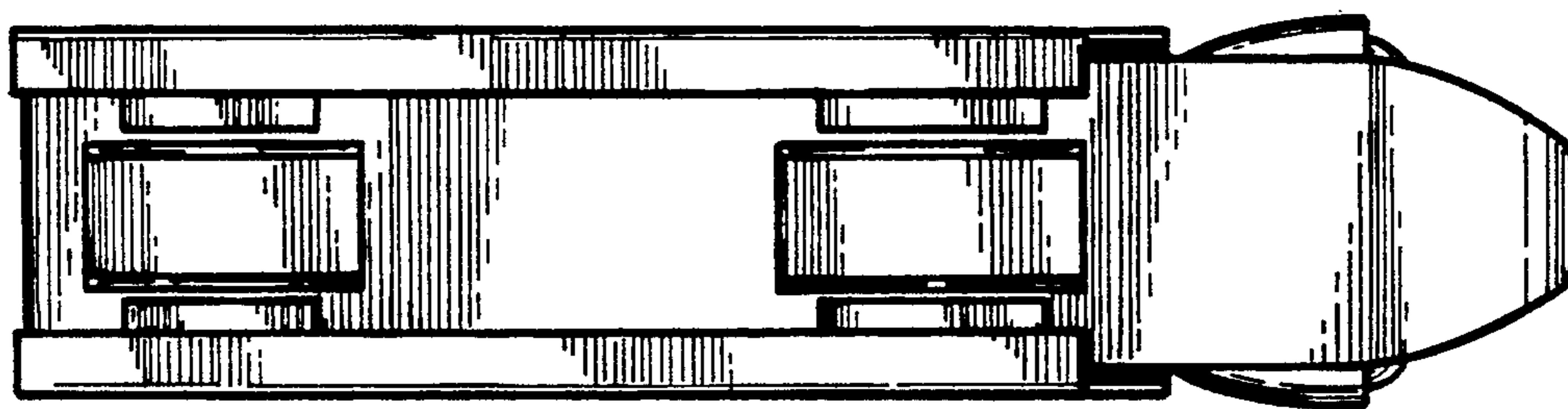


FIG. 7