



US00D330523S

United States Patent [19] Killion

[11] Patent Number: **Des. 330,523**

[45] Date of Patent: **** Oct. 27, 1992**

[54] TOY WHISTLE

3,738,056 6/1973 Schultz 446/202

[76] Inventor: **Bernard J. Killion**, 10875 NW. 17th
Manor, Coral Springs, Fla. 33071

Primary Examiner—Wallace R. Burke
Assistant Examiner—Marcus Jackson
Attorney, Agent, or Firm—Malin, Haley, McHale,
DiMaggio & Crosby

[**] Term: **14 Years**

[21] Appl. No.: **648,379**

[57] **CLAIM**

[22] Filed: **Jan. 31, 1991**

The ornamental design for a toy whistle, as shown and described.

[52] U.S. Cl. **D10/119**

[58] Field of Search D10/104, 116, 119;
446/202, 203, 204, 205, 206, 207, 208, 209

DESCRIPTION

[56] **References Cited**

U.S. PATENT DOCUMENTS

61,846	2/1867	McClain	446/204
D. 140,756	2/1945	Thompson	D10/119
D. 241,539	9/1976	Iverson	D20/22
805,817	11/1905	Pardoe	446/204

FIG. 1 is a top perspective view of a toy whistle showing the new design;

FIG. 2 is a bottom perspective view thereof;

FIG. 3 is a right side elevational view thereof, the left side elevational view being a mirror image thereof;

FIG. 4 is a front elevational view thereof; and,

FIG. 5 is a rear elevational view thereof.

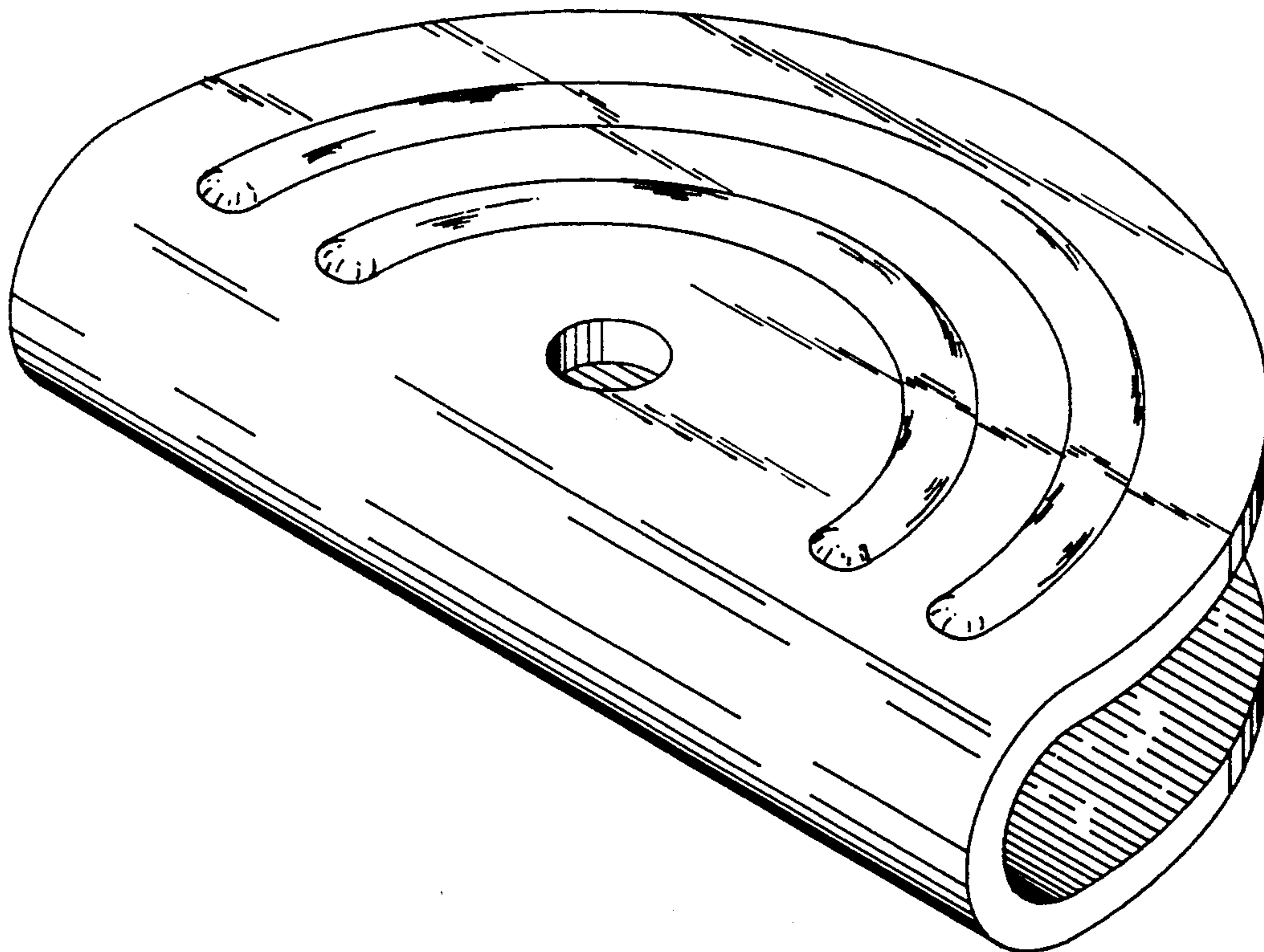


FIG. 1

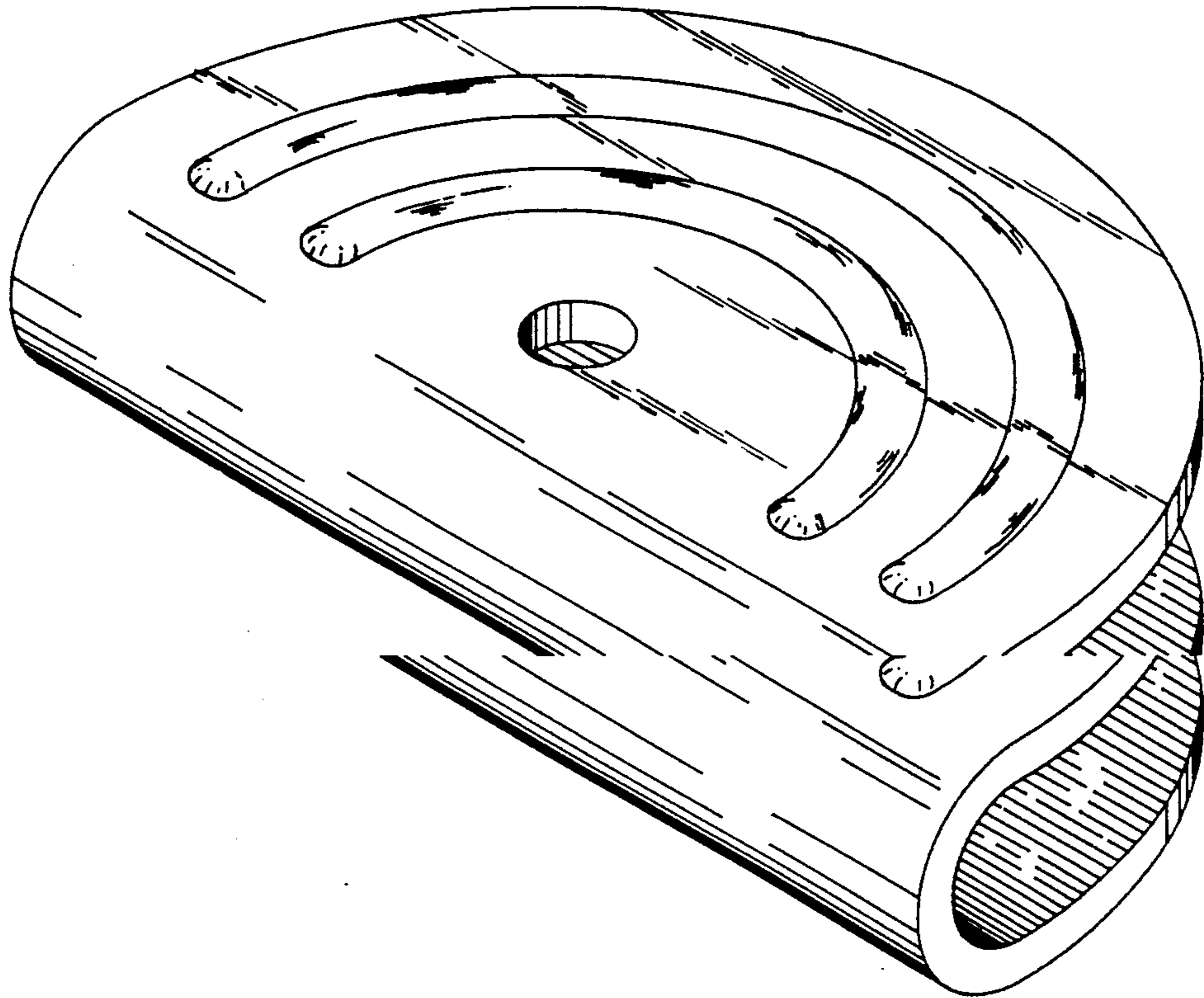


FIG. 2

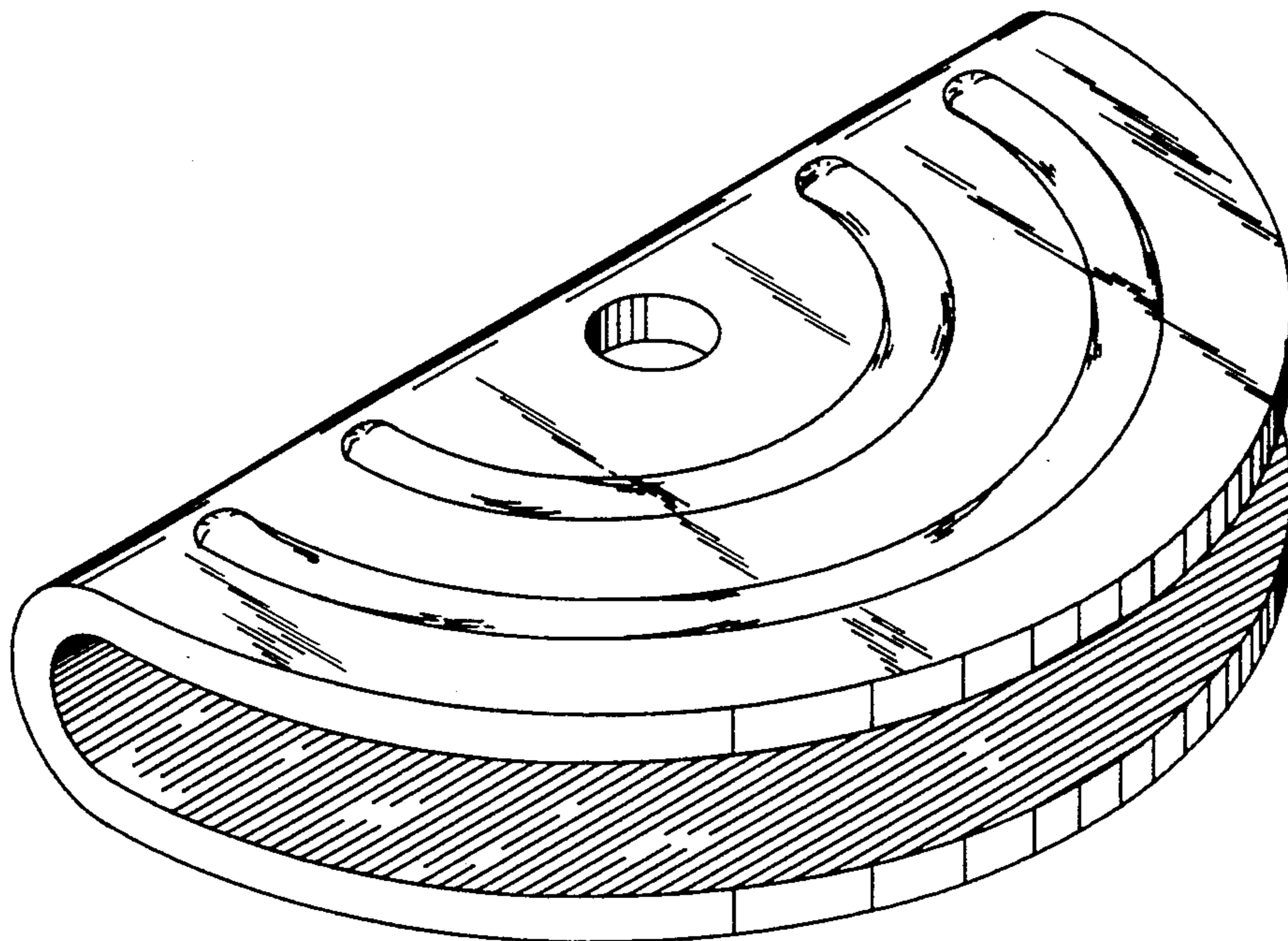


FIG. 3

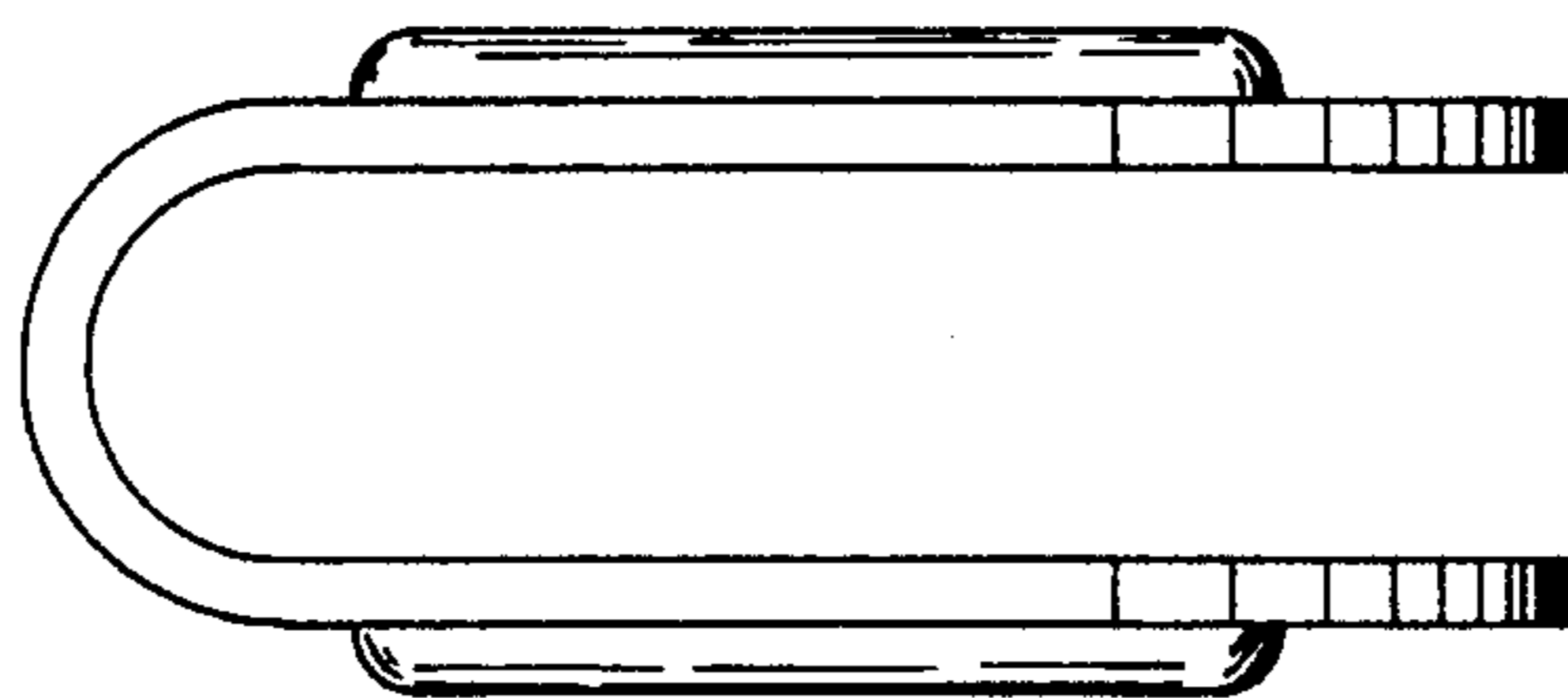


FIG. 4

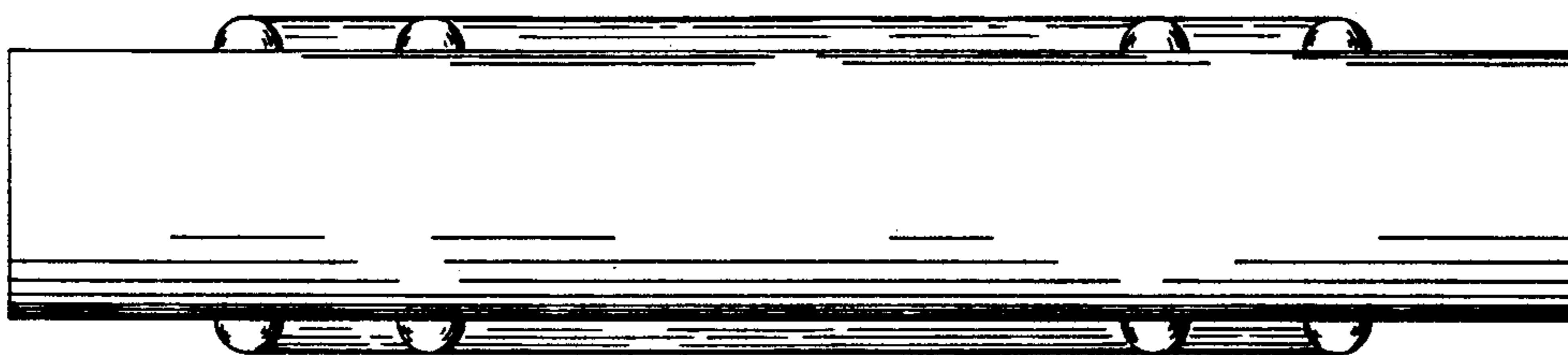


FIG. 5

