



US00D330516S

**United States Patent** [19]  
**Cavazza**

[11] **Patent Number: Des. 330,516**  
[45] **Date of Patent: \*\* Oct. 27, 1992**

[54] **COMBINED PERFUME BOTTLE AND CAP**

[75] **Inventor: Paolo Cavazza, Rome, Italy**

[73] **Assignee: Avantgarde S.P.A., Rome, Italy**

[\*] **Notice: The portion of the term of this patent subsequent to Aug. 4, 2006 has been disclaimed.**

[\*\*] **Term: 14 Years**

[21] **Appl. No.: 446,713**

[22] **Filed: Dec. 6, 1989**

[30] **Foreign Application Priority Data**

Jun. 20, 1989 [IT] Italy ..... 35831/89[U]

[52] **U.S. Cl. .... D9/571**

[58] **Field of Search ..... D9/403-413, D9/435, 454, 384; 215/1 R, 1 C**

[56] **References Cited**

**U.S. PATENT DOCUMENTS**

D. 15,213 8/1884 Miller ..... D9/412  
D. 25,402 4/1896 Nelson ..... D9/412

D. 85,925 1/1932 Fuerst ..... D9/412  
D. 89,223 2/1933 Straub et al. .... D9/413  
D. 93,117 8/1934 Leach ..... D9/410  
D. 135,803 6/1948 Loewy ..... D9/412  
D. 229,607 12/1973 Casey ..... D9/412  
D. 293,944 1/1988 Trabattoni ..... D9/403 X  
D. 300,119 3/1989 Pacquin ..... D9/412

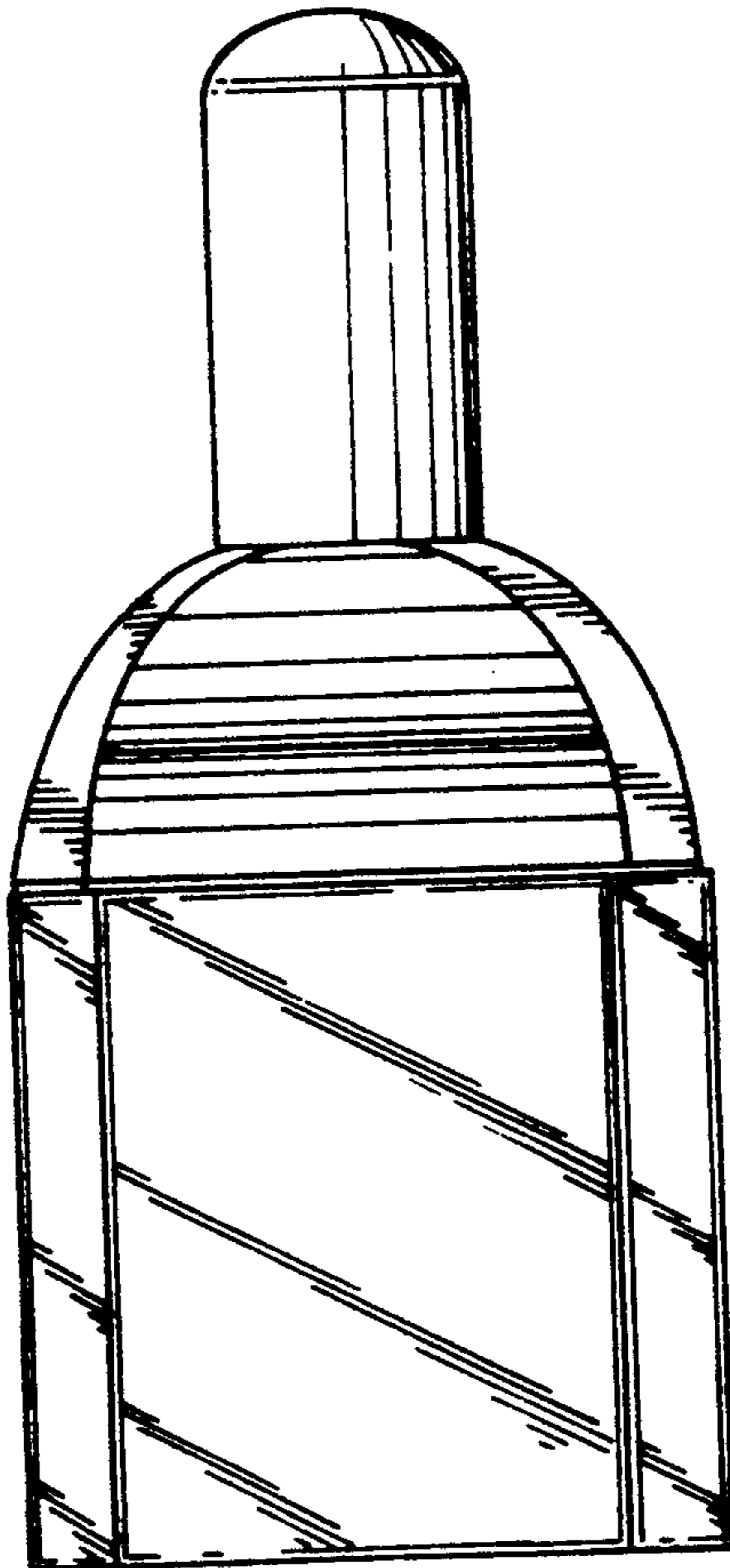
*Primary Examiner*—Bernard Ansher  
*Assistant Examiner*—Lucy Lieberman  
*Attorney, Agent, or Firm*—Oblon, Spivak, McClelland, Maier & Neustadt

[57] **CLAIM**

The ornamental design for a combined perfume bottle and cap, as shown and described.

**DESCRIPTION**

FIG. 1 is a front elevational view of a combined perfume bottle and cap showing my new design, the rear elevational view is the same;  
FIG. 2 is a side elevational view thereof, the opposite side is the same;  
FIG. 3 is a perspective view thereof; and,  
FIG. 4 is a top plan view thereof.



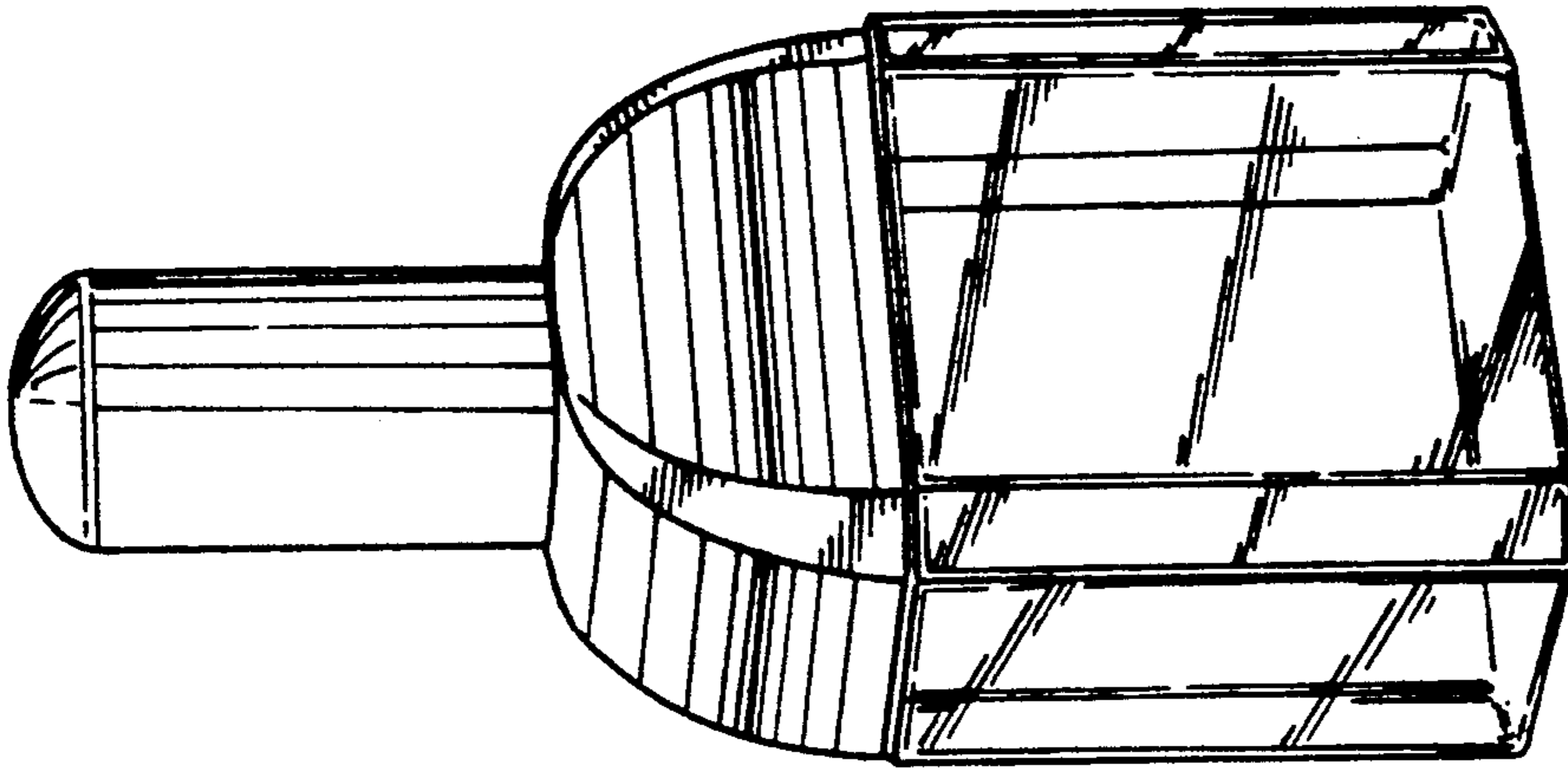


FIG. 3

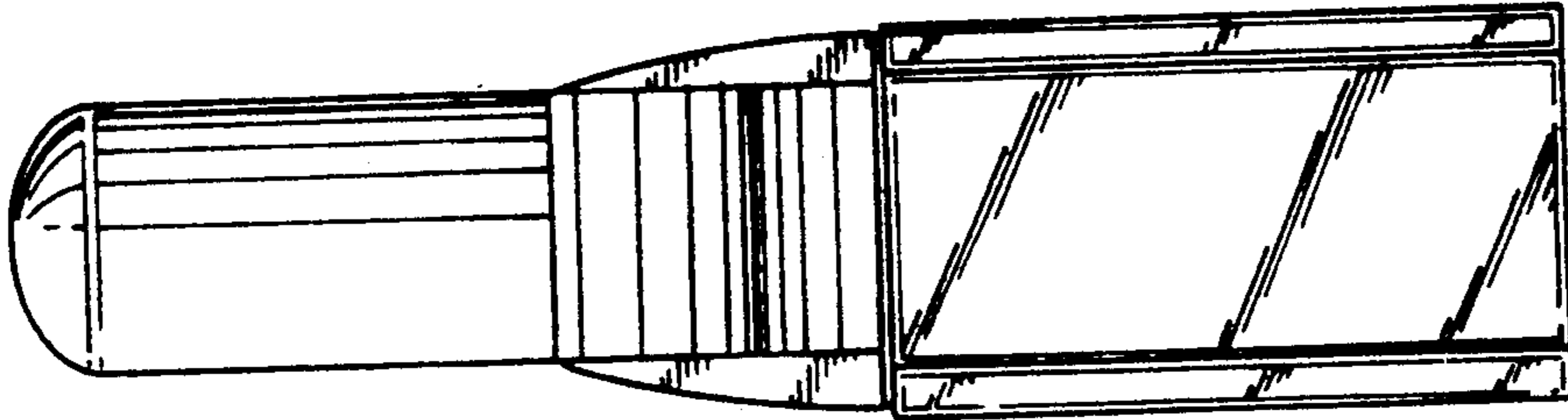


FIG. 2

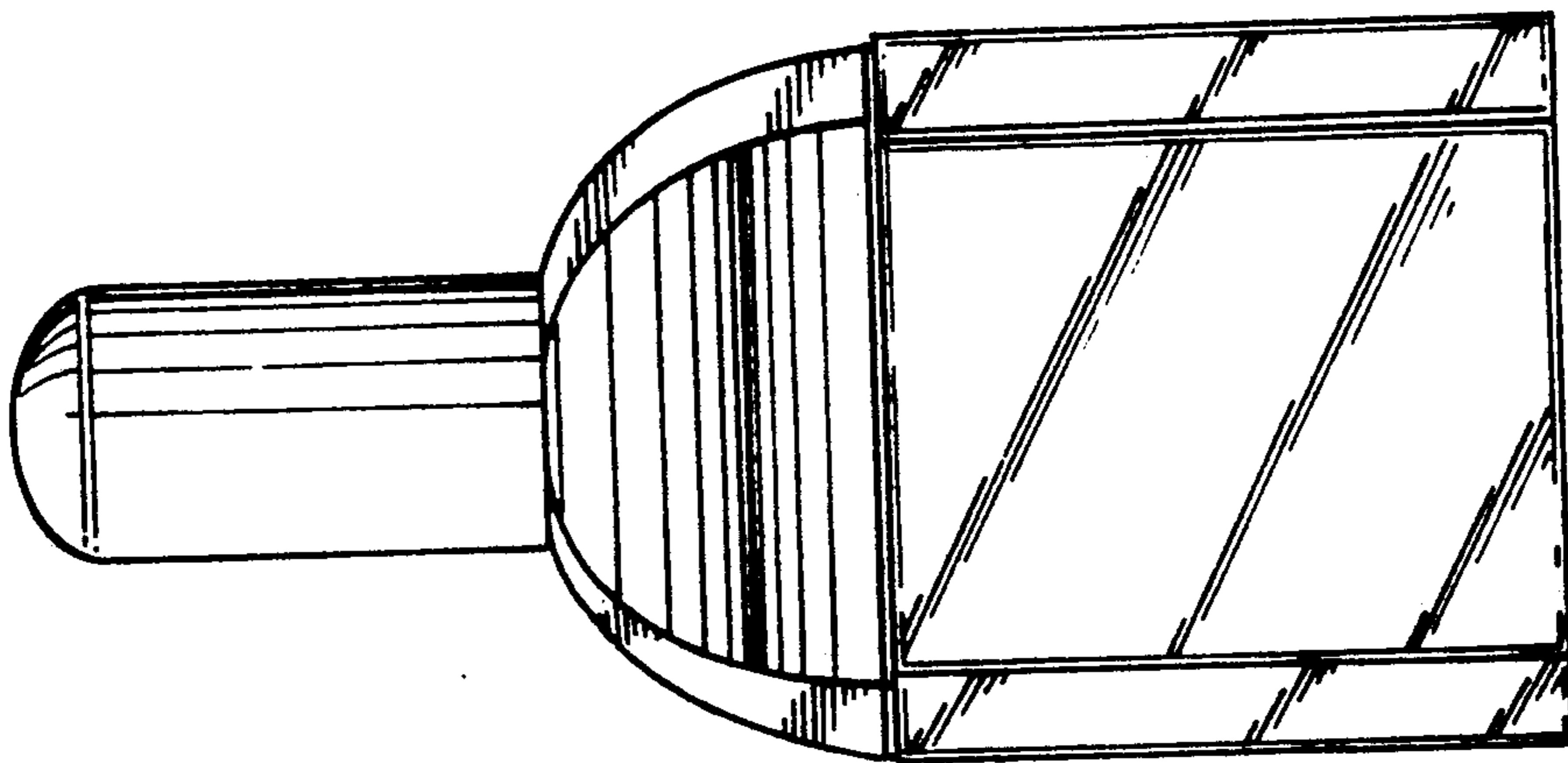


FIG. 1

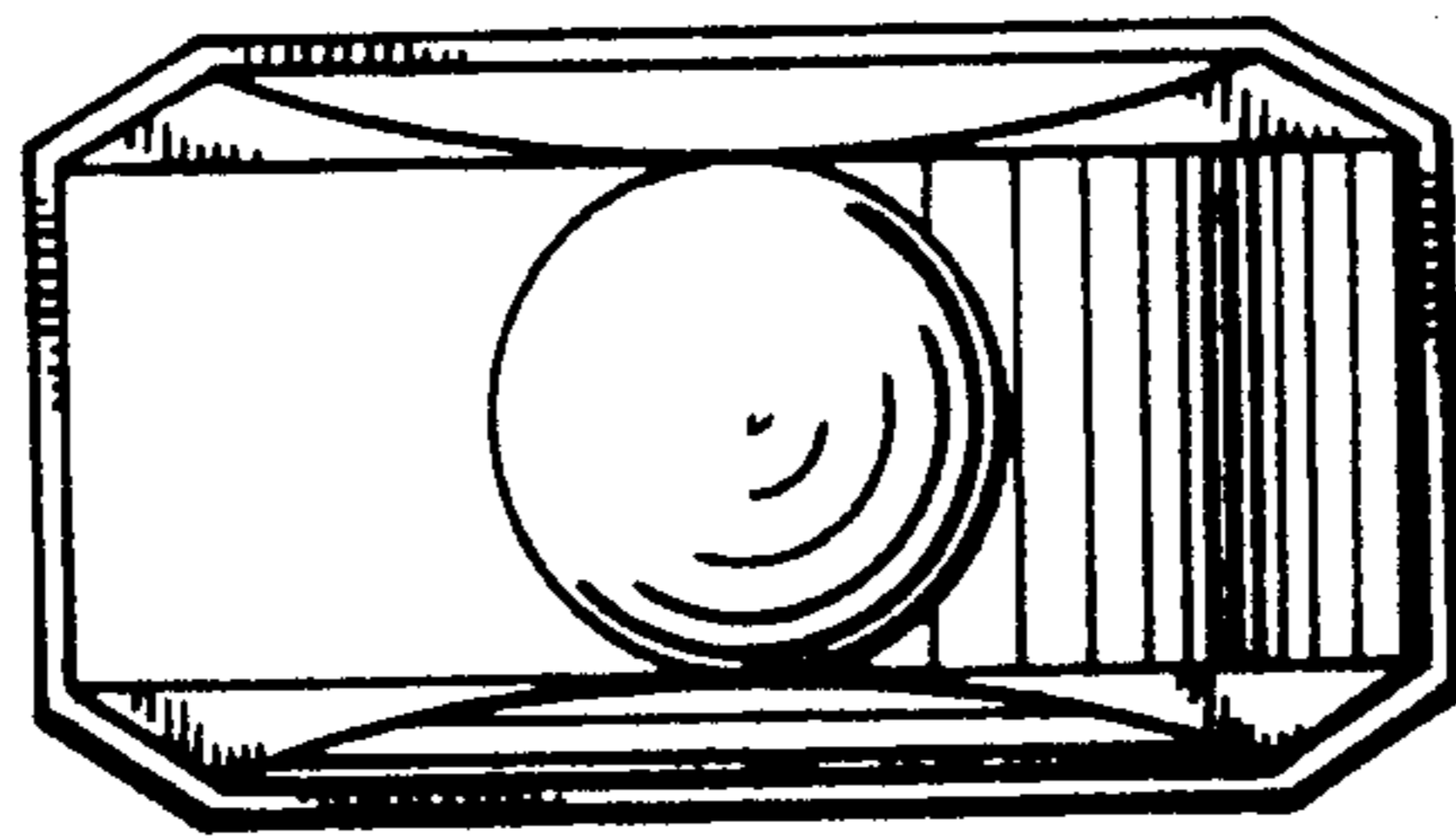


FIG.4