



US00D330514S

United States Patent [19]

[11] Patent Number: **Des. 330,514**

Edwards

[45] Date of Patent: **** Oct. 27, 1992**

[54] CONTAINER

[75] Inventor: **Brian Edwards, Oakham, England**

[73] Assignee: **Reed Packaging Limited, Kent, England**

[**] Term: **14 Years**

[21] Appl. No.: **601,588**

[22] Filed: **Oct. 23, 1990**

[30] Foreign Application Priority Data

Apr. 24, 1990 [GB] United Kingdom 2006363

[52] U.S. Cl. **D9/431; D9/425; D7/603**

[58] Field of Search D9/430, 431, 425, 424, D9/455, 389; D7/603, 604; 206/499, 502; 229/4.5, 1.5 B; 222/902, 904, 912

[56] References Cited

U.S. PATENT DOCUMENTS

D. 204,640 5/1966 Reifers et al. D9/425

D. 280,075 8/1985 Haag, Sr. D9/428 X
D. 303,337 9/1989 Holma D7/629 X
D. 305,967 2/1990 Durand D7/603
2,606,586 8/1952 Hill D7/629 X
3,703,255 11/1972 Wade 229/1.5 B

Primary Examiner—Bernard Ansher
Assistant Examiner—Prabhakar Deshmukh
Attorney, Agent, or Firm—Bacon & Thomas

[57] CLAIM

The ornamental design for a container, as shown and described.

DESCRIPTION

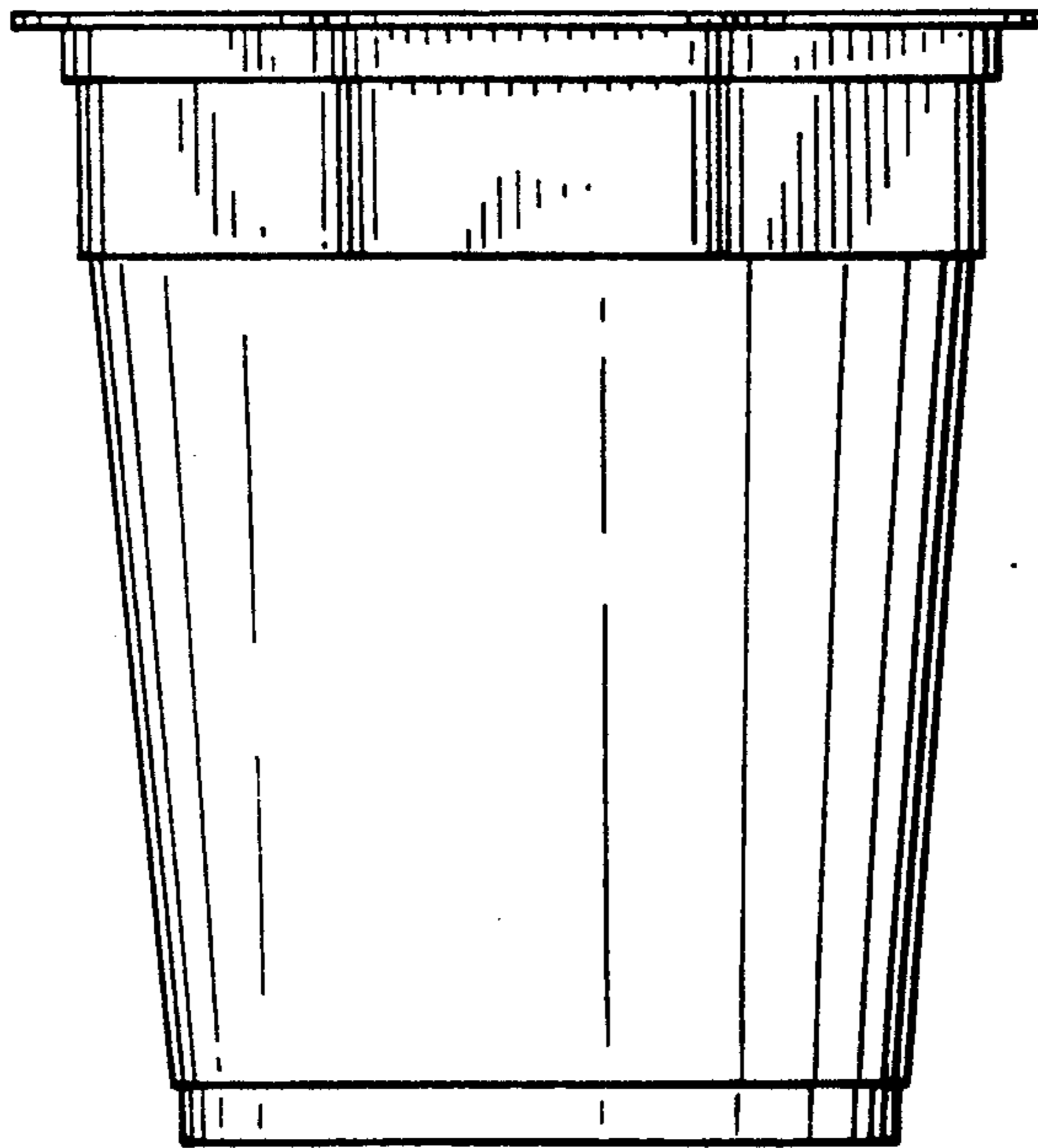
FIG. 1 is a front elevational view of a container showing my new design; taken in the direction of arrow-1 of FIG. 2;

FIG. 2 is a top plan view thereof;

FIG. 3 is a side elevational view thereof; taken in the direction of arrow-3 of FIG. 2;

FIG. 4 is a bottom plan view thereof; and,

FIG. 5 is a sectional elevational view thereof; taken along line 5—5 of FIG. 2.



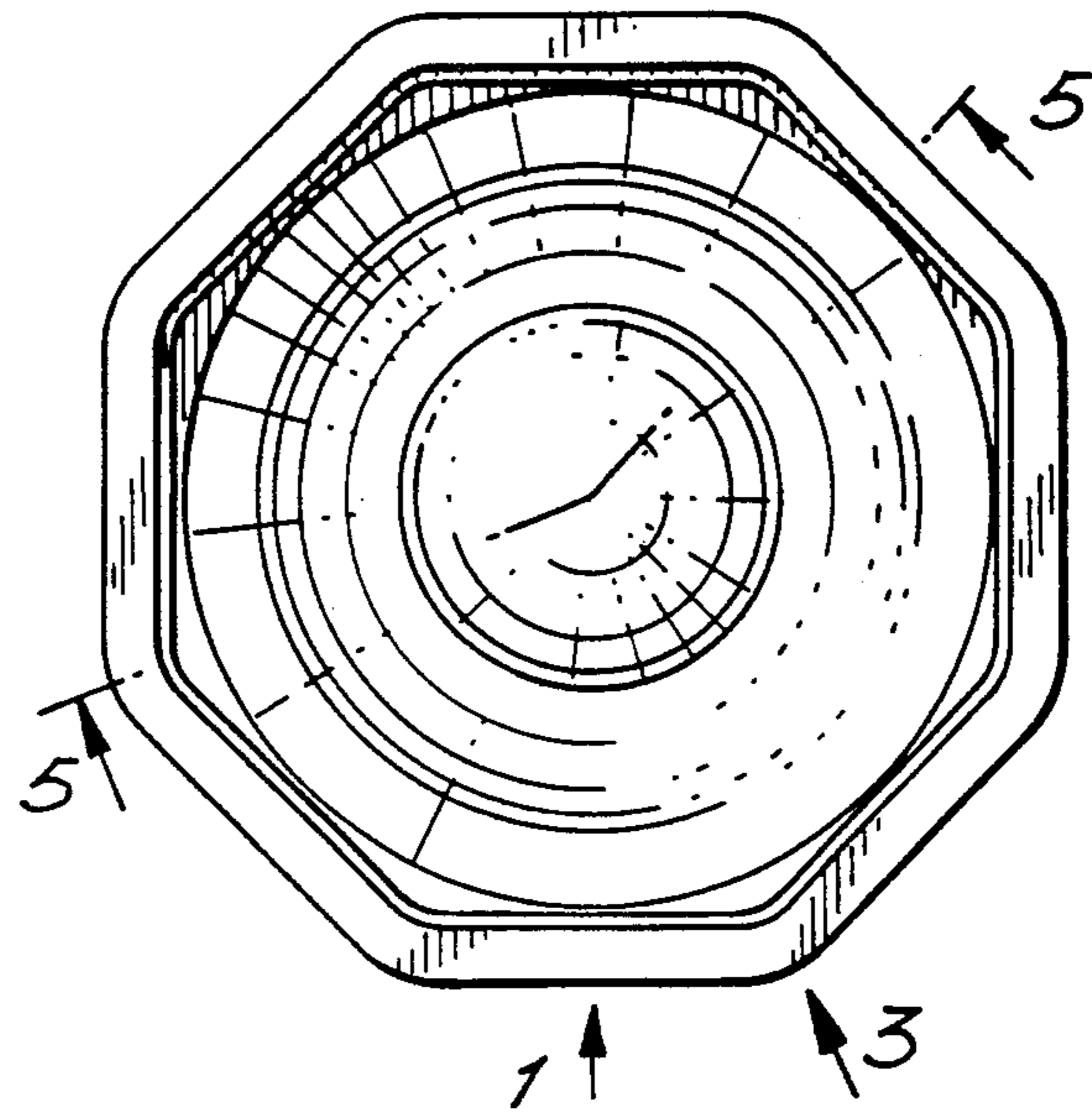
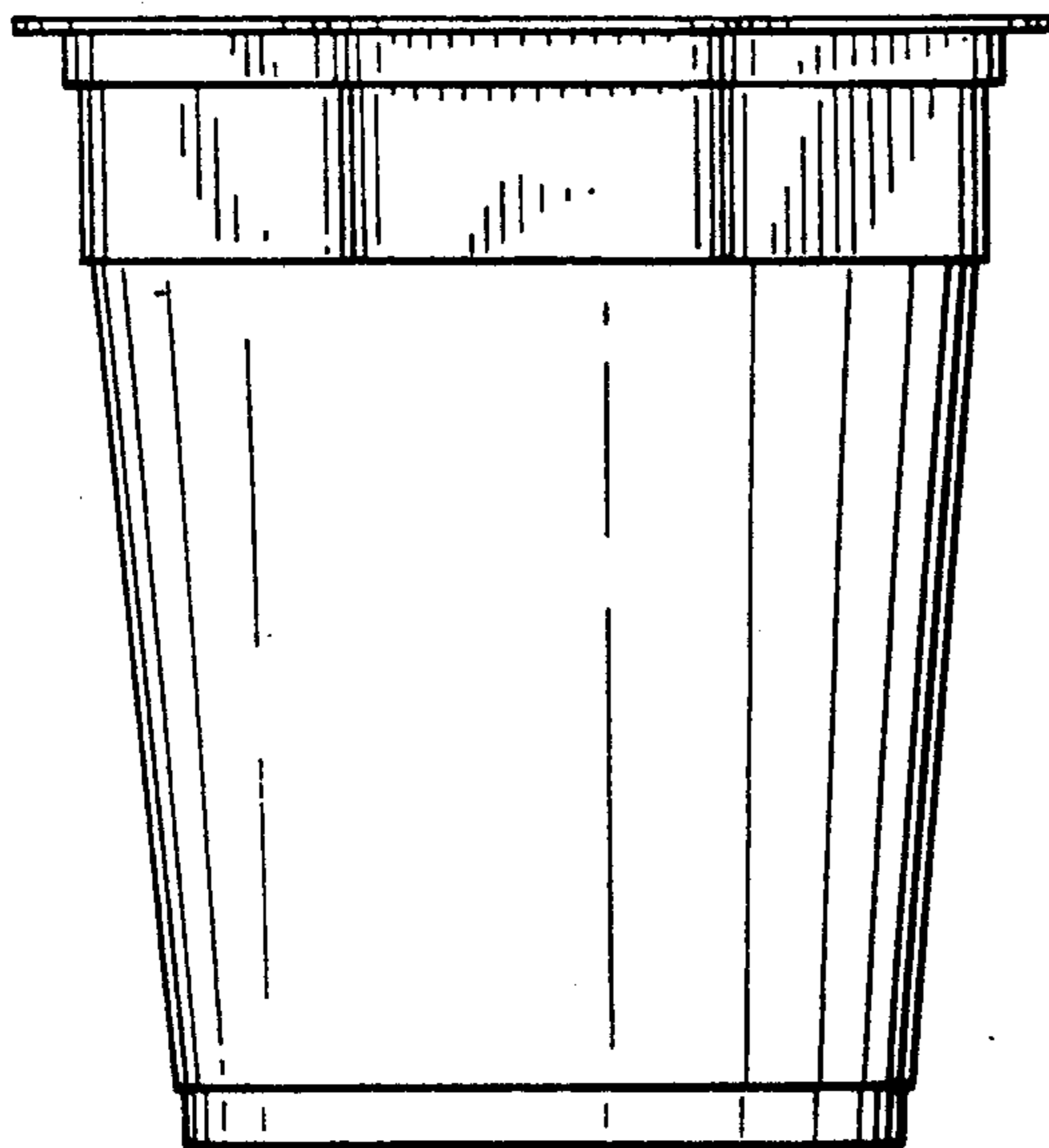


FIG. 1.

FIG. 2.



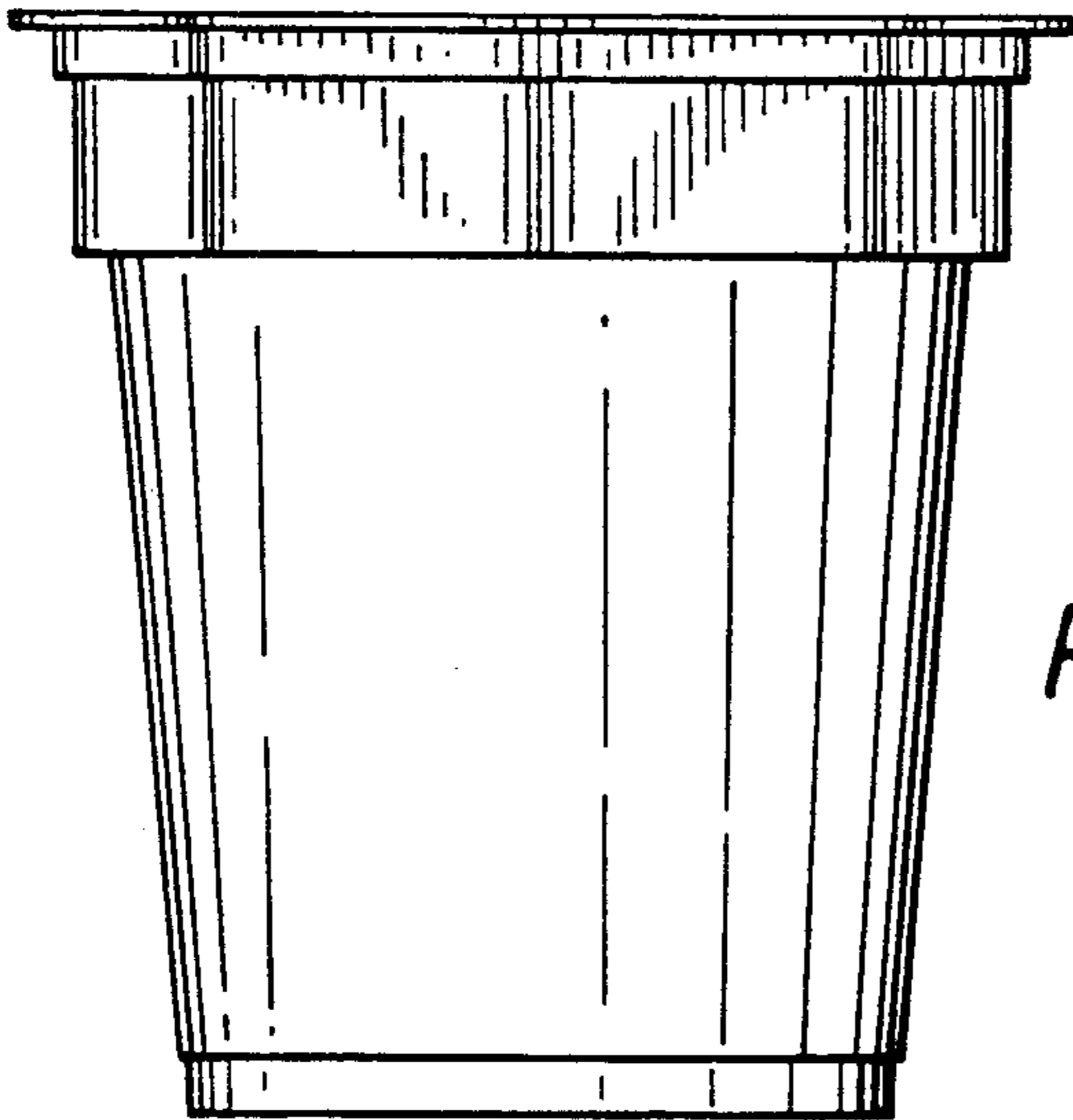


FIG. 3.

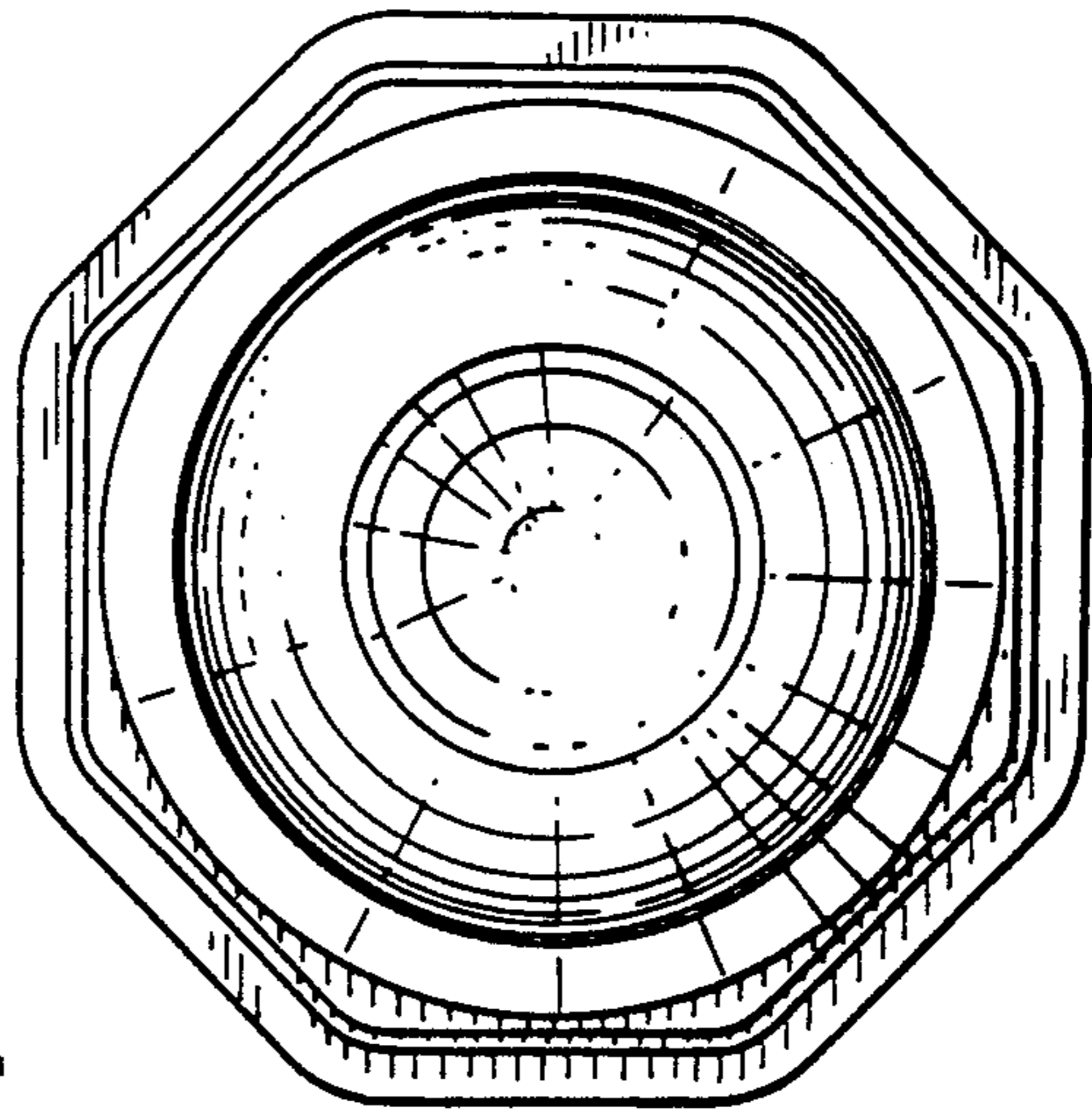


FIG. 4.

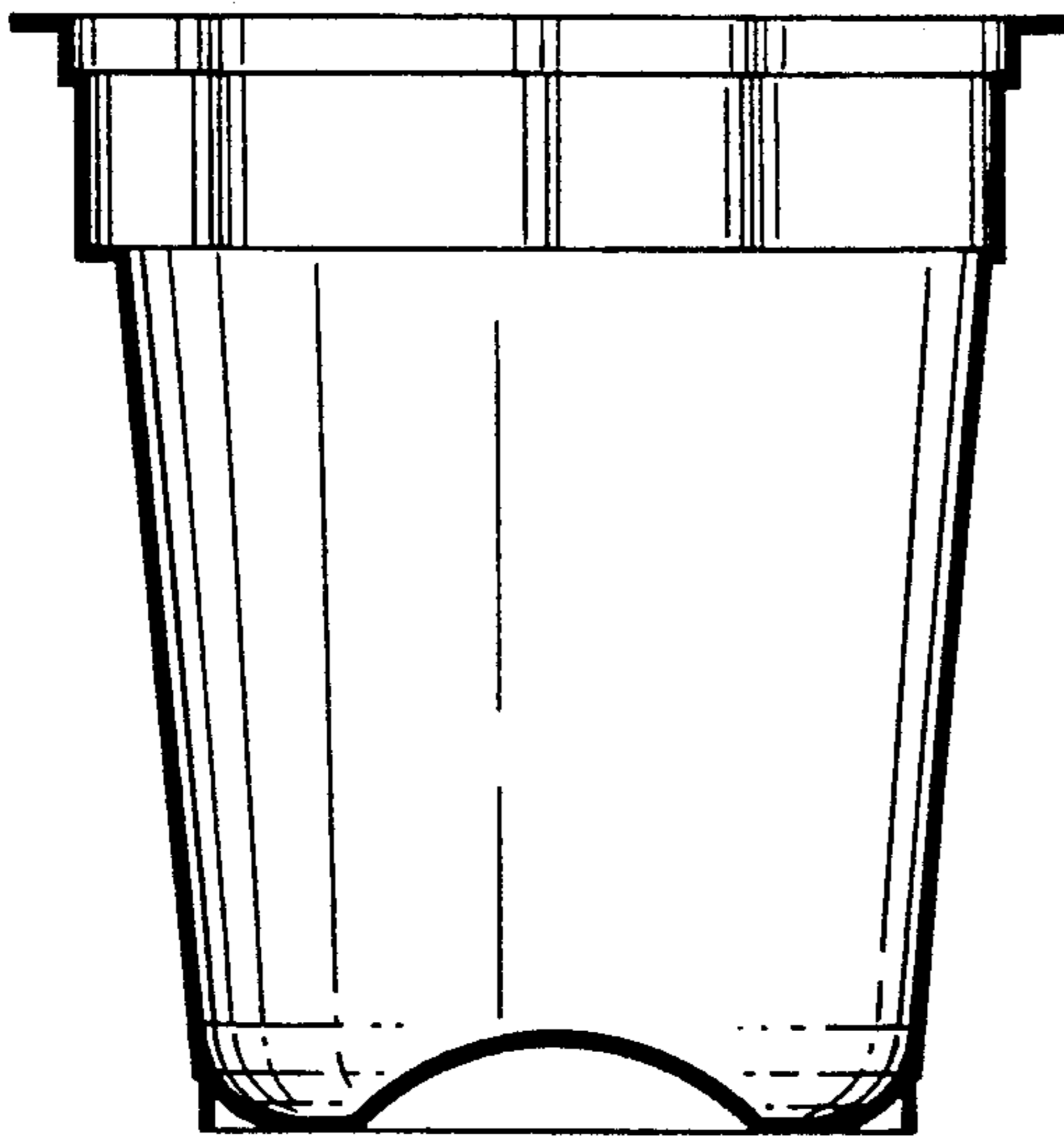


FIG. 5.