



US00D330513S

# United States Patent [19] Gilchrist

[11] Patent Number: **Des. 330,513**

[45] Date of Patent: **\*\* Oct. 27, 1992**

[54] BEVERAGE CONTAINER

[76] Inventor: **Gayland Gilchrist, 3131 Hayes Rd.  
Apt. 1202, Houston, Tex. 77082**

[\*\*] Term: **14 Years**

[21] Appl. No.: **418,408**

[22] Filed: **Oct. 5, 1989**

[52] U.S. Cl. .... **D9/341; D34/46**

[58] Field of Search ..... **D9/341, 344, 346, 347,  
D9/337; 206/549, 167, 169, 203, 428, 162, 192,  
427; 229/117.25, 117.23; 220/4.26, 4.24, 94 R**

[56] **References Cited**

### U.S. PATENT DOCUMENTS

2,598,710	6/1952	Murphy .....	206/167
3,219,233	11/1965	Whiteford .....	206/203
3,262,283	7/1966	Taylor .	
3,561,594	2/1971	Jorgensen .....	206/162 X
3,700,160	10/1972	Farrell .....	229/117.25
3,734,336	5/1973	Rankow et al. ....	220/94 R X
3,955,745	5/1976	Forrer .....	206/428 X
3,974,658	8/1976	Starrett .	
4,019,340	4/1977	Conklin .	
4,173,286	11/1979	Stanko .....	220/4.24 X
4,299,100	11/1981	Crisman et al. .	
4,344,301	8/1982	Taylor .	
4,351,165	9/1982	Gottsegen et al. .	

4,544,022 10/1985 Tomac .  
4,884,837 4/1988 Nakazawa ..... 229/117.25 X

### OTHER PUBLICATIONS

"Year-round Products that are Out of This World", a sales brochure of DIVAJEX, printed in USA bearing a copyright notice of 1983.

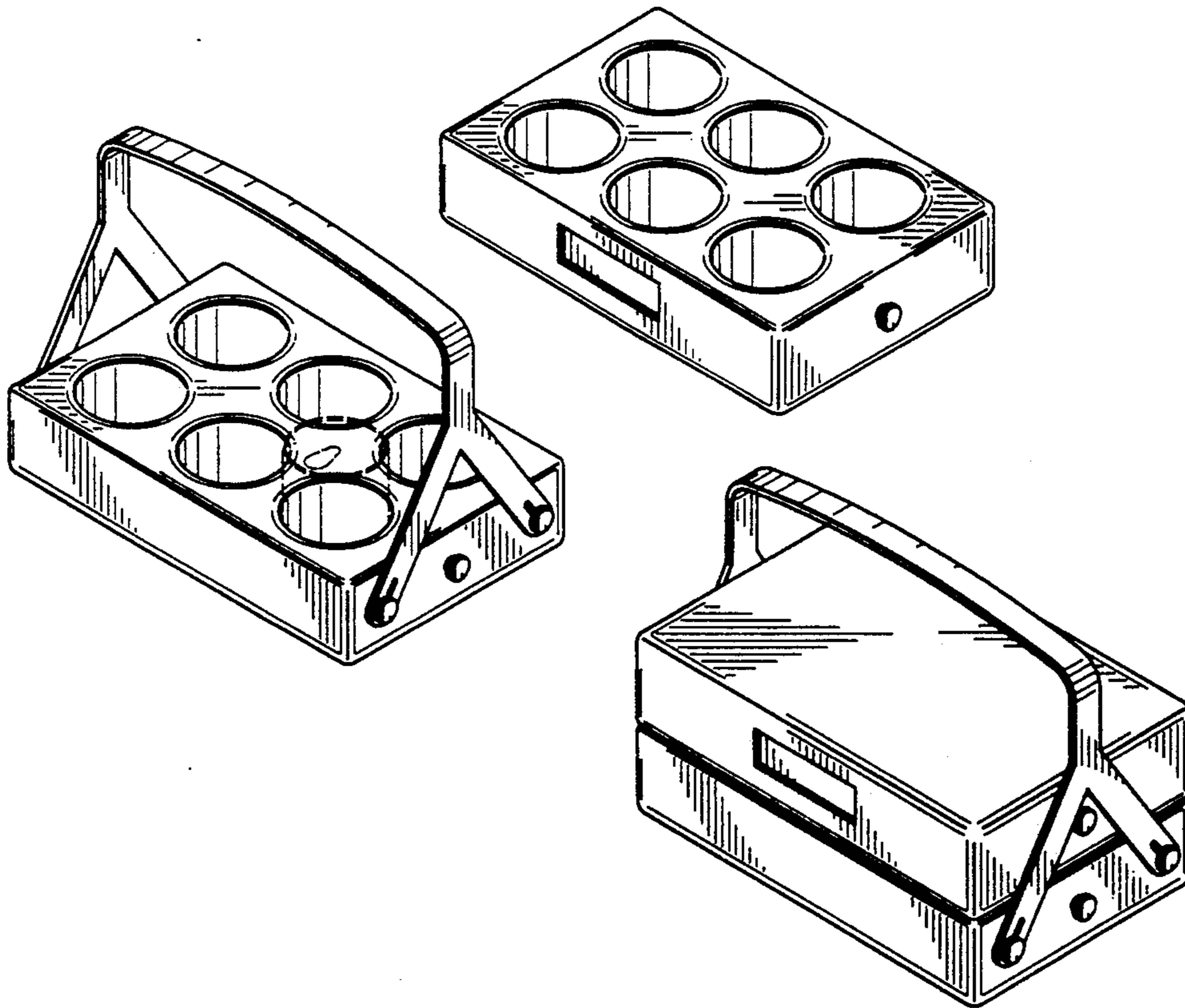
*Primary Examiner*—Bernard Ansher  
*Assistant Examiner*—Prabhakar Deshmukh  
*Attorney, Agent, or Firm*—John J. Ryberg

### [57] CLAIM

The ornamental design for a beverage container, as shown and described.

### DESCRIPTION

FIG. 1 is an exploded perspective view of a beverage container showing my new design;  
FIG. 2 is a perspective view thereof; in assembled position;  
FIG. 3 is a right side elevation of FIG. 2, the left side elevation being a mirror image thereof;  
FIG. 4 is a front elevation of FIG. 2, the rear elevation being a mirror image thereof;  
FIG. 5 is a top plan view of FIG. 2 thereof; and,  
FIG. 6 is a bottom plan view of FIG. 2 thereof.  
The broken line showing of a can is for illustrative purposes only and forms no part of the claim.



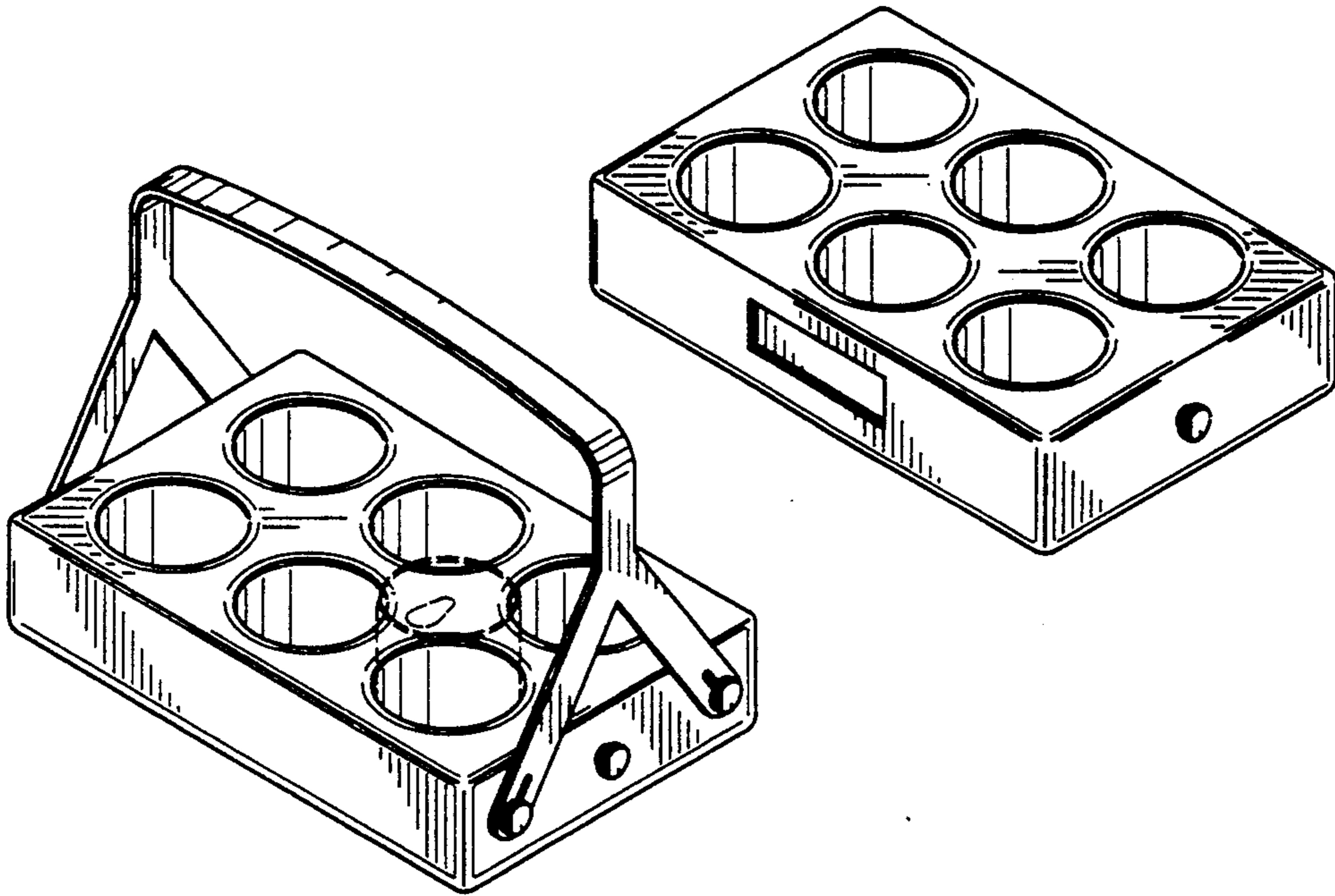


FIG. 1

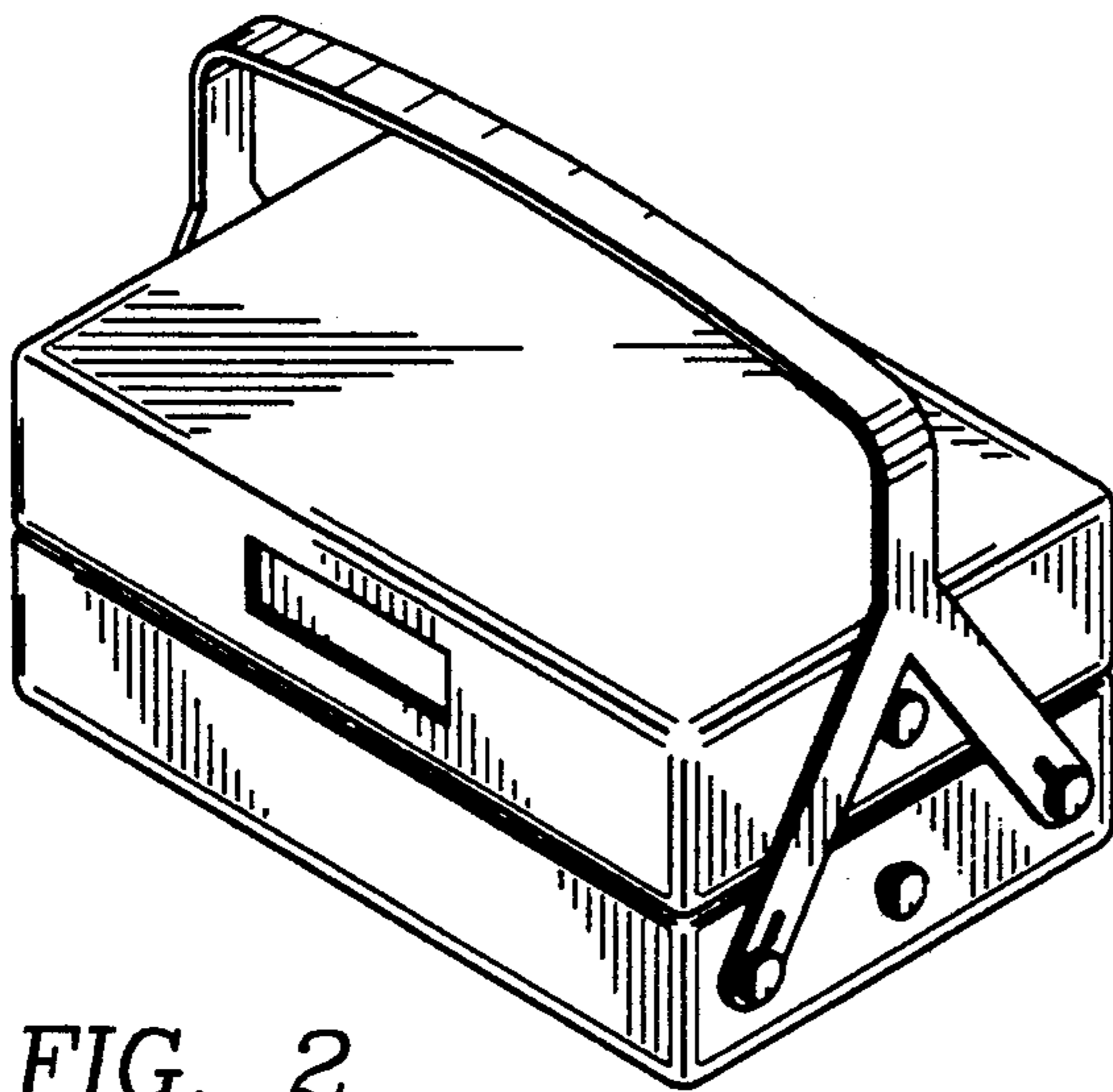


FIG. 2

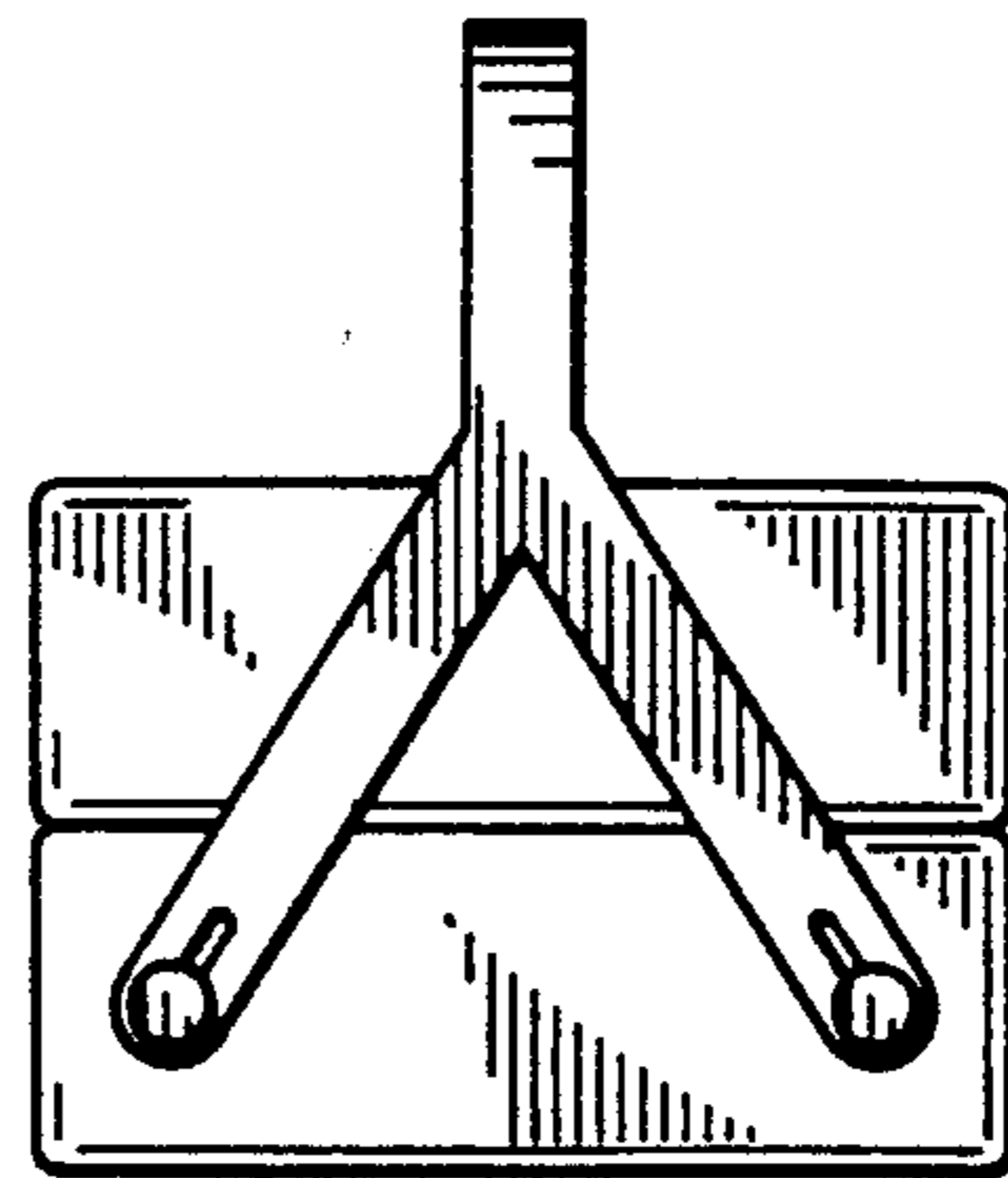


FIG. 3

FIG. 4

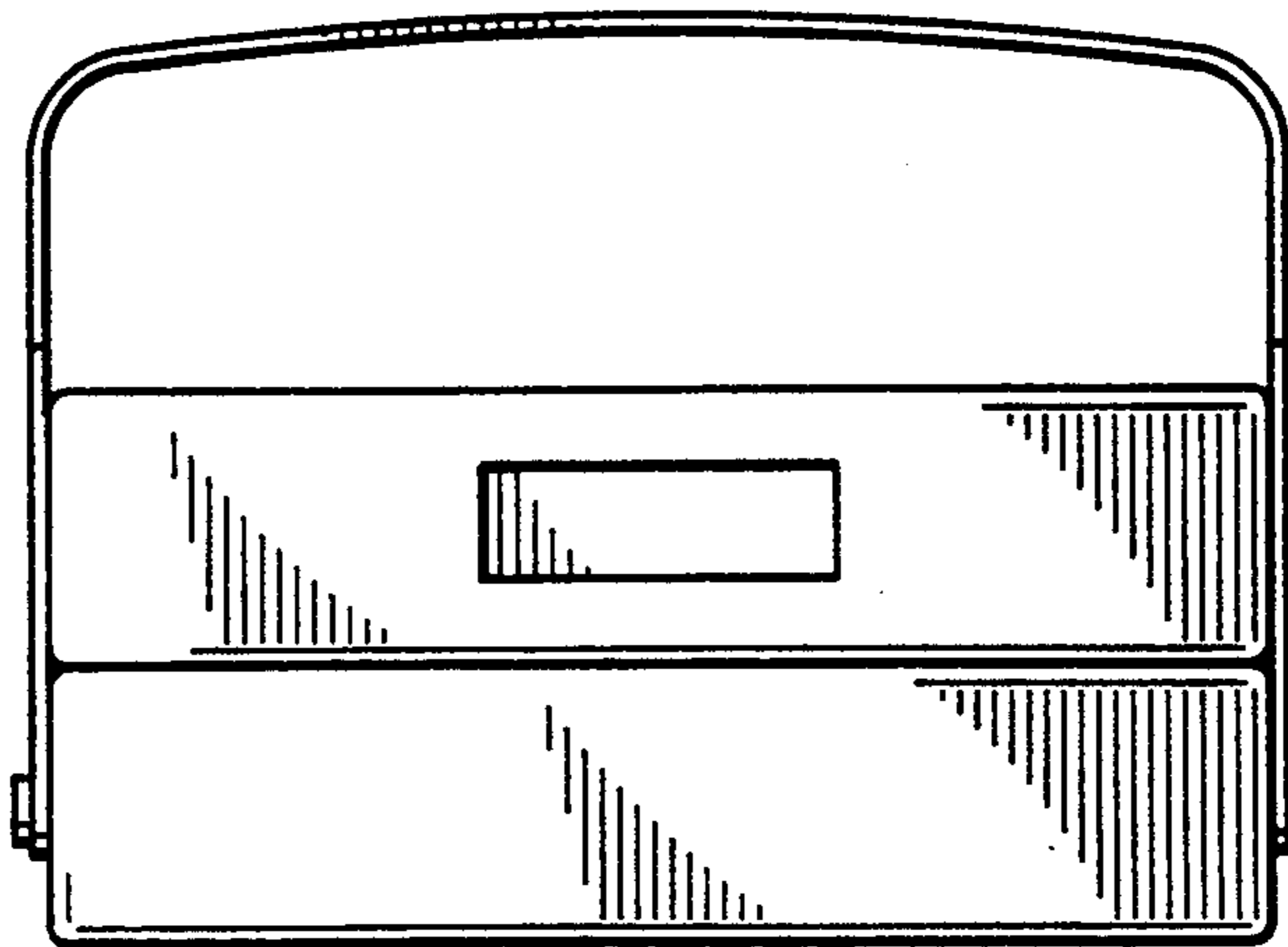


FIG. 5

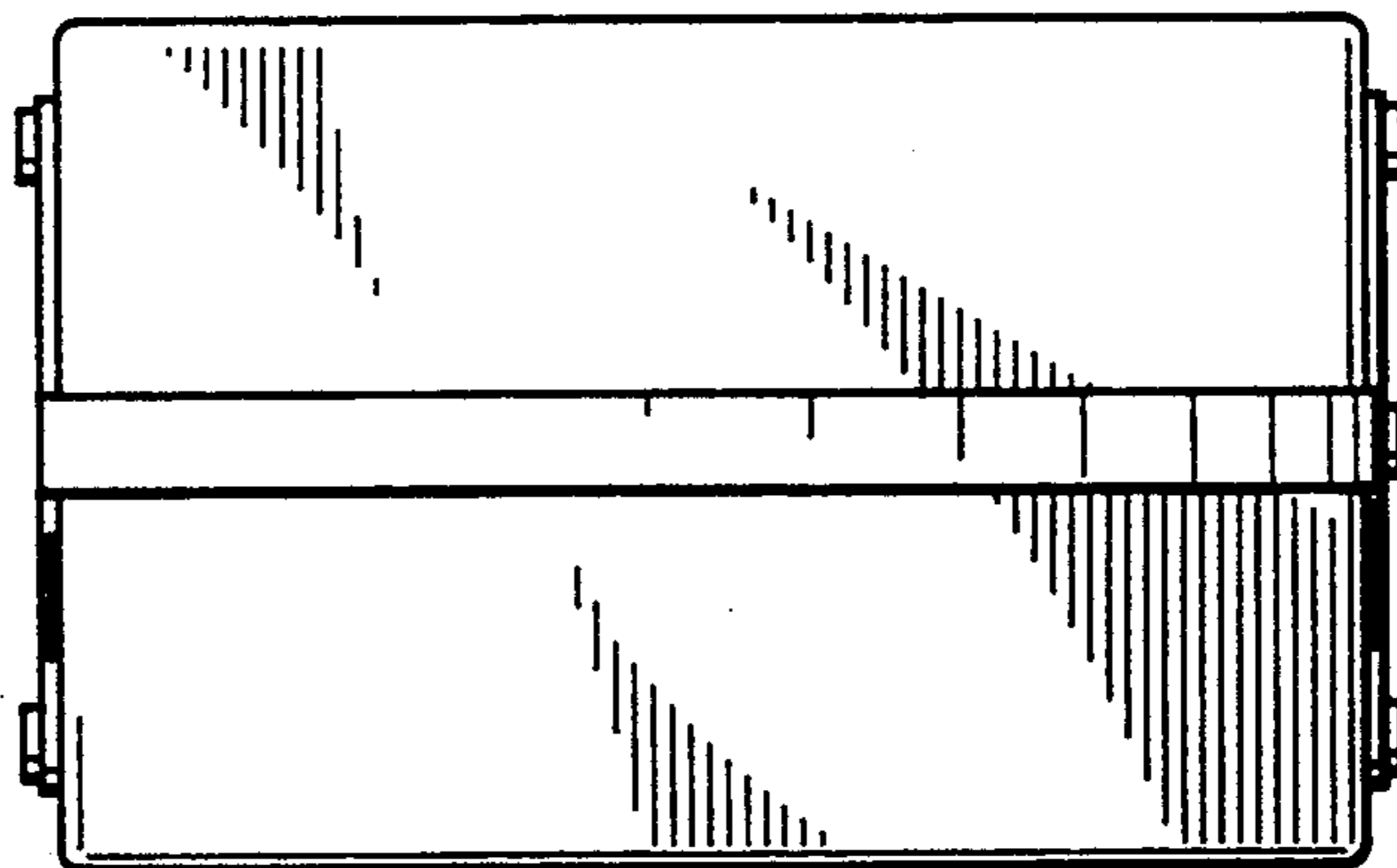


FIG. 6

