



US00D330506S

United States Patent [19]

[11] Patent Number: **Des. 330,506**

Clivio

[45] Date of Patent: **** Oct. 27, 1992**

[54] HOSE REEL

[75] Inventor: **Franco Clivio**, Zurich, Switzerland

[73] Assignee: **GARDENA Kress + Kastner GmbH**, Fed. Rep. of Germany

[**] Term: **14 Years**

[21] Appl. No.: **578,324**

[22] Filed: **Sep. 6, 1990**

[30] Foreign Application Priority Data

Jul. 11, 1990 [XH] Hague DM 07123

[52] U.S. Cl. **D8/359; D8/358**

[58] Field of Search **D8/358, 359; D34/26; 242/86, 86.2**

[56] References Cited

U.S. PATENT DOCUMENTS

D. 294,456	3/1988	Nelson	D8/359
D. 303,446	9/1989	Kitts et al.	D34/26
4,137,939	2/1979	Chow	.	
4,512,361	4/1985	Tisbo et al.	.	
4,768,546	9/1988	Brusadin et al.	D34/26 X
4,974,627	12/1990	Nelson	242/86.2
5,007,598	4/1991	Spear et al.	242/86 X

OTHER PUBLICATIONS

Clapper's Spring Garden Catalog, 1989, p. 33, hose trolley, item B on right of page.
 Suncast Corporation 1987 Lawn and Garden Catalog, Claber S.p.A., Reflexion Catalog, 1989.
 Gardena Gardening Equipment Catalog, 1989, p. 27.
 Ames Home, Farm and Industry Catalog No. 8825, May 1988.
 Ames New Product Supplement No. 9020, Jun. 1989.
 Melnor International Lawn and Garden Catalog, 1990.

Primary Examiner—Wallace R. Burke
Assistant Examiner—H. Baynham
Attorney, Agent, or Firm—Quarles & Brady

[57] CLAIM

The ornamental design for a hose reel, as shown and described.

DESCRIPTION

FIG. 1 is a perspective view of a hose reel showing my new design;
 FIG. 2 is a left side elevational view thereof;
 FIG. 3 is a front elevational view thereof.
 FIG. 4 is a right side elevational view thereof;
 FIG. 5 is a rear elevational view thereof;
 FIG. 6 is a top plan view thereof; and,
 FIG. 7 is a bottom plan view thereof.

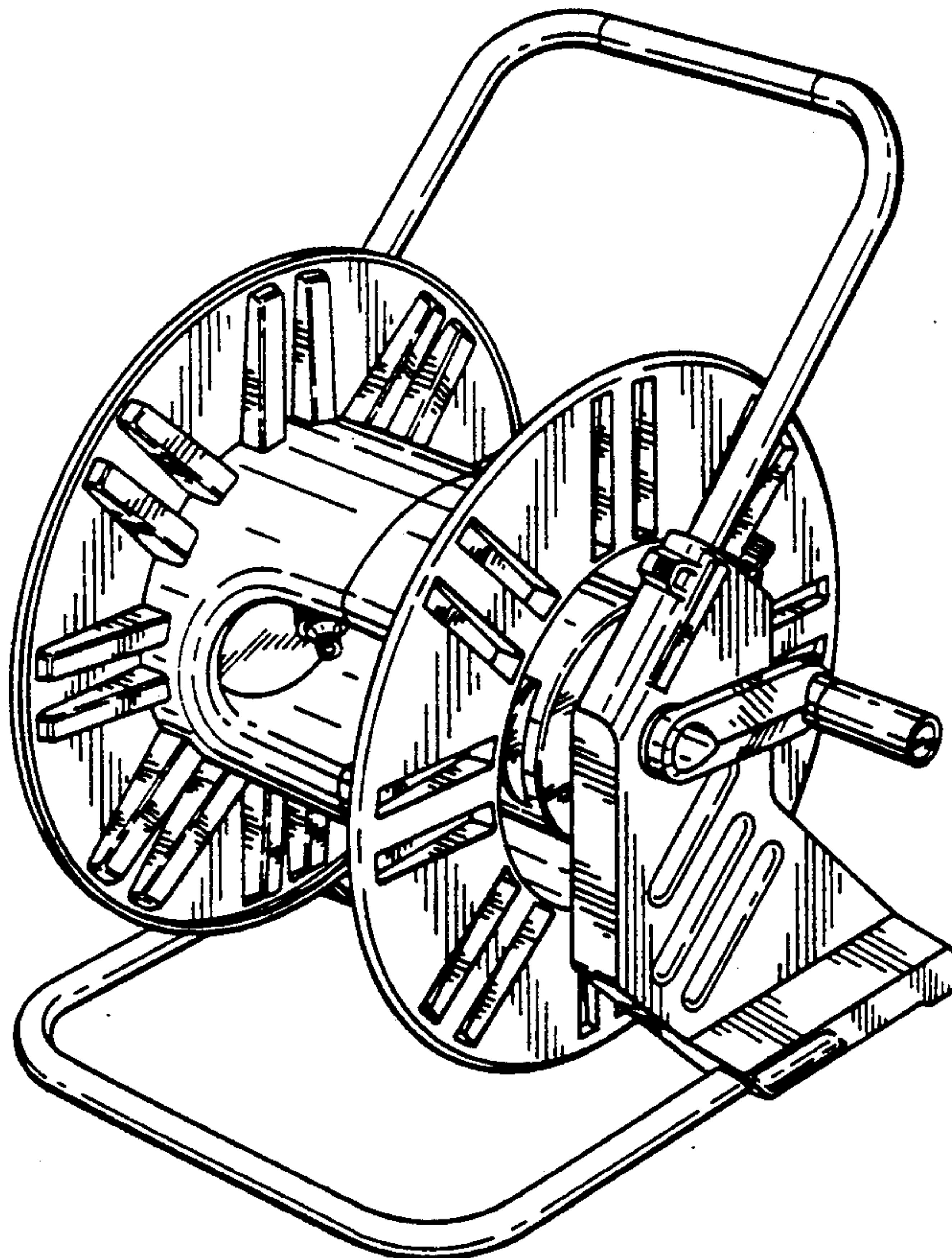


FIG. 1

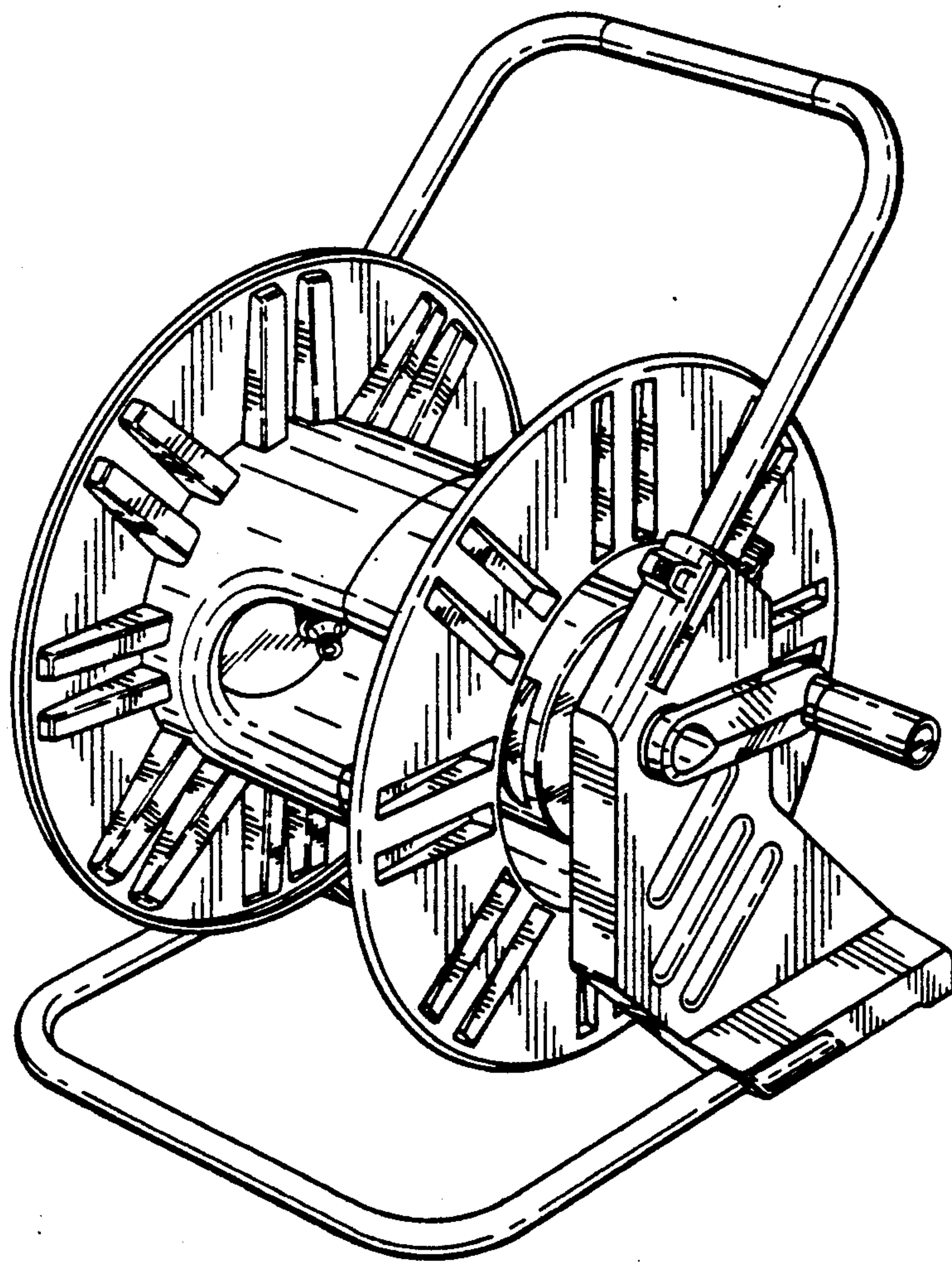


FIG. 2

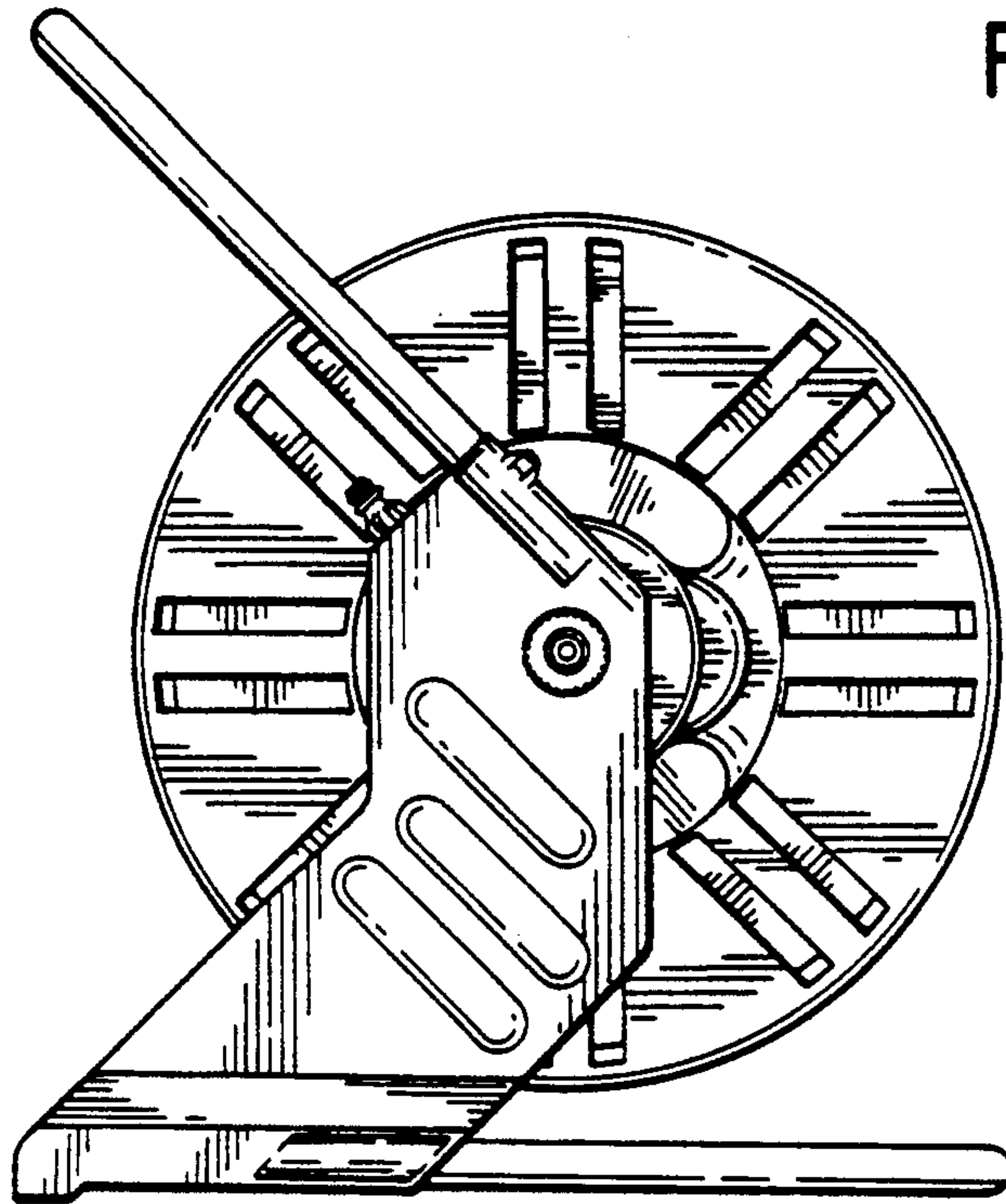


FIG. 3

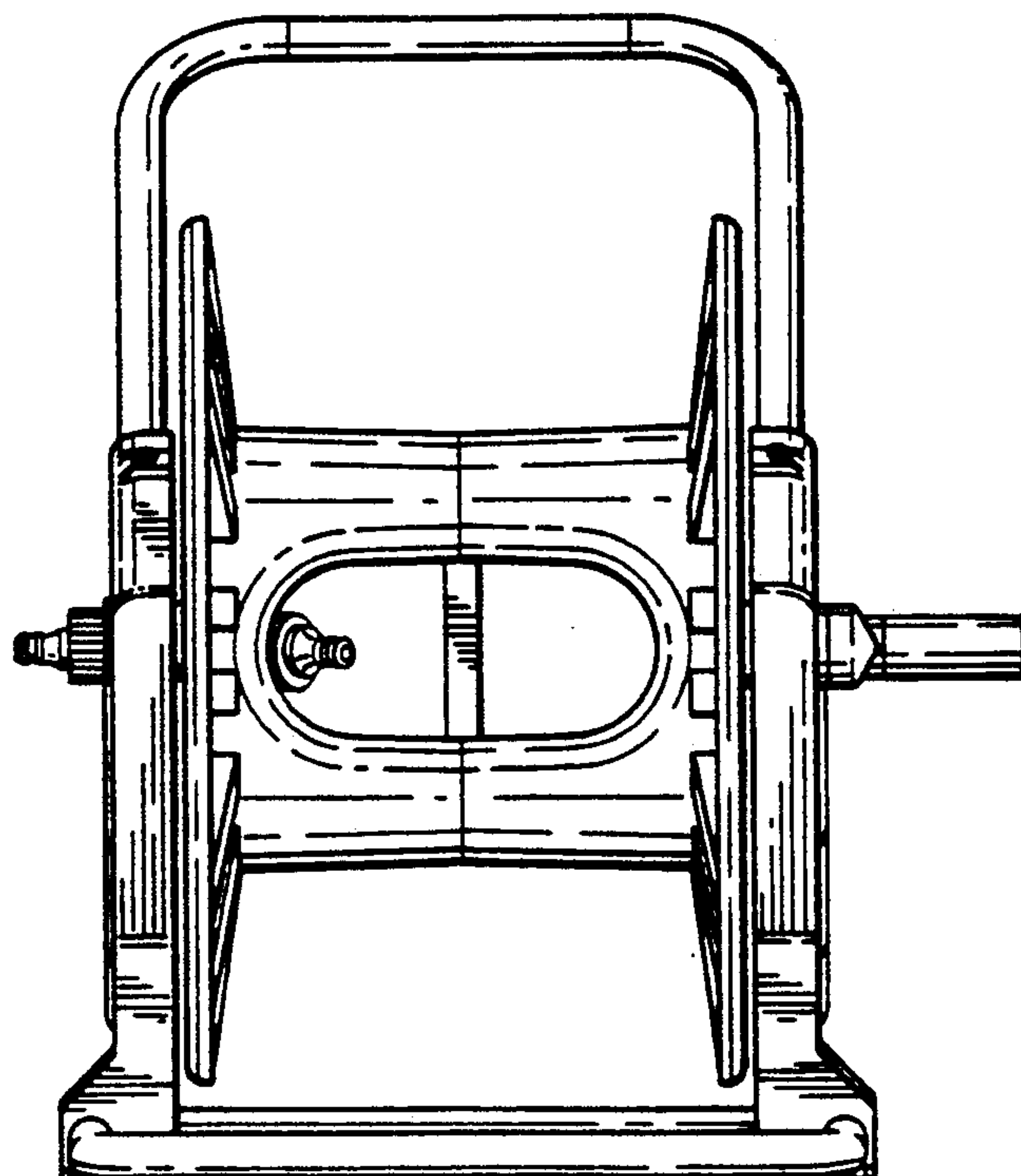


FIG. 4

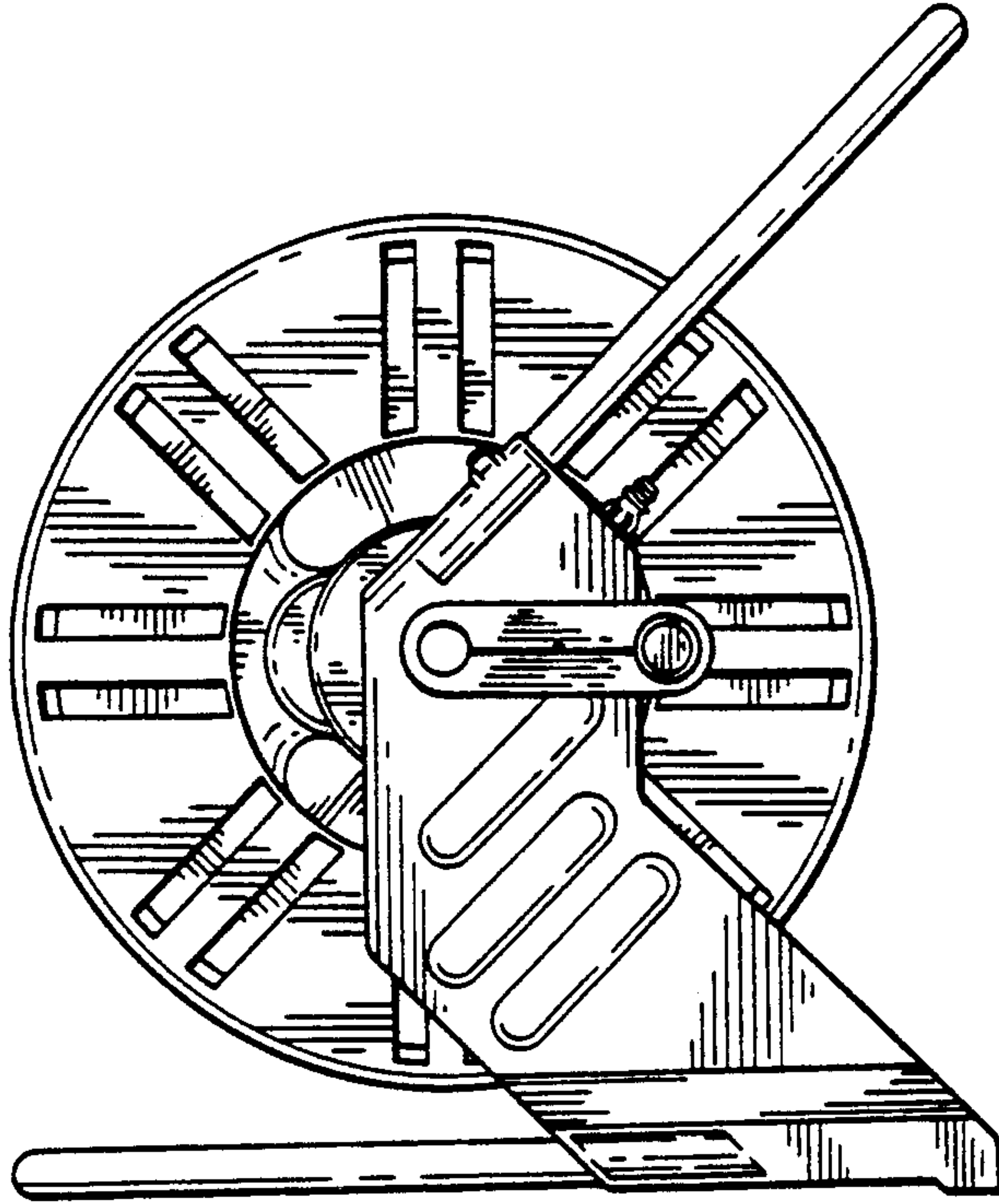


FIG. 5

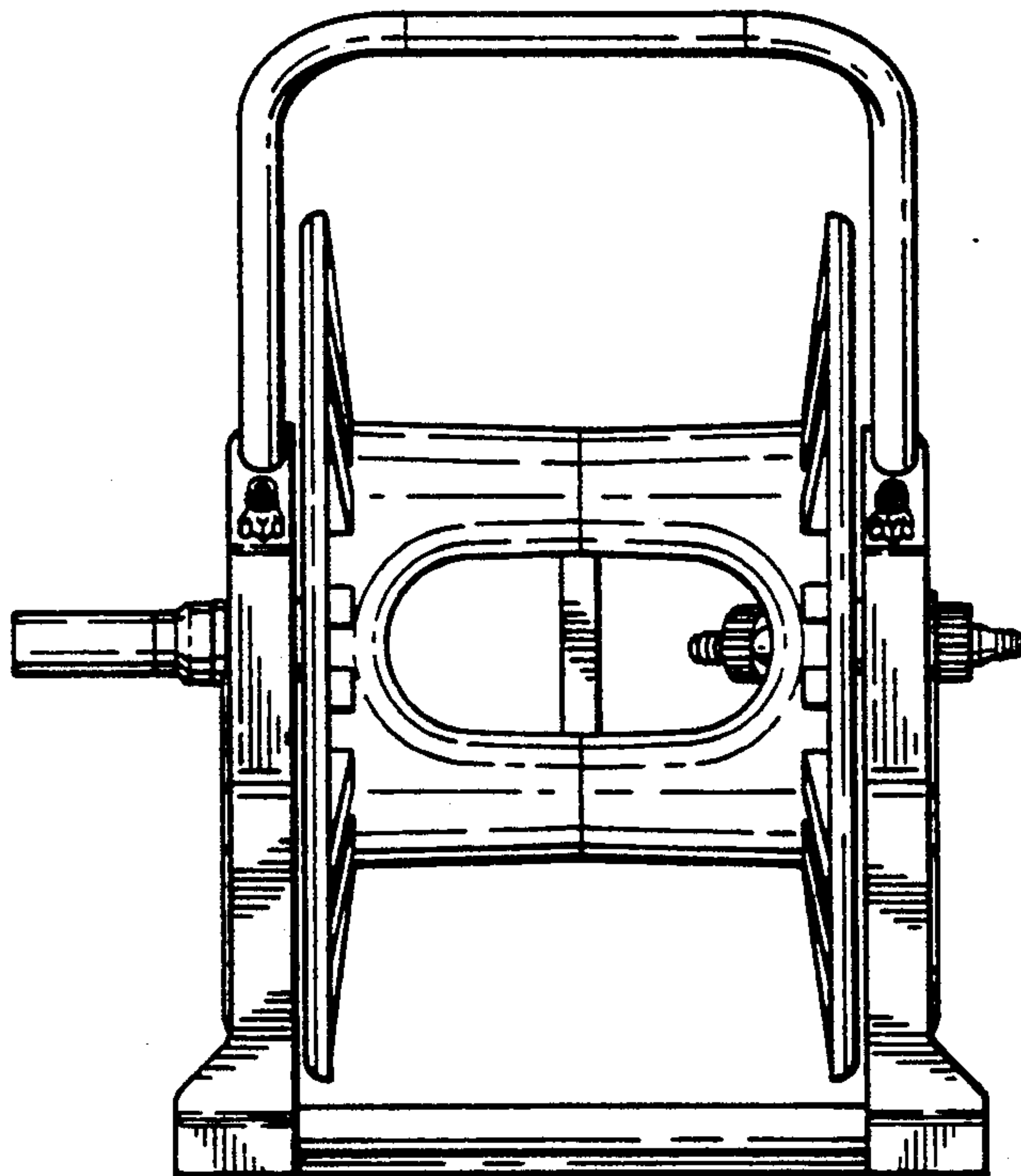


FIG. 6

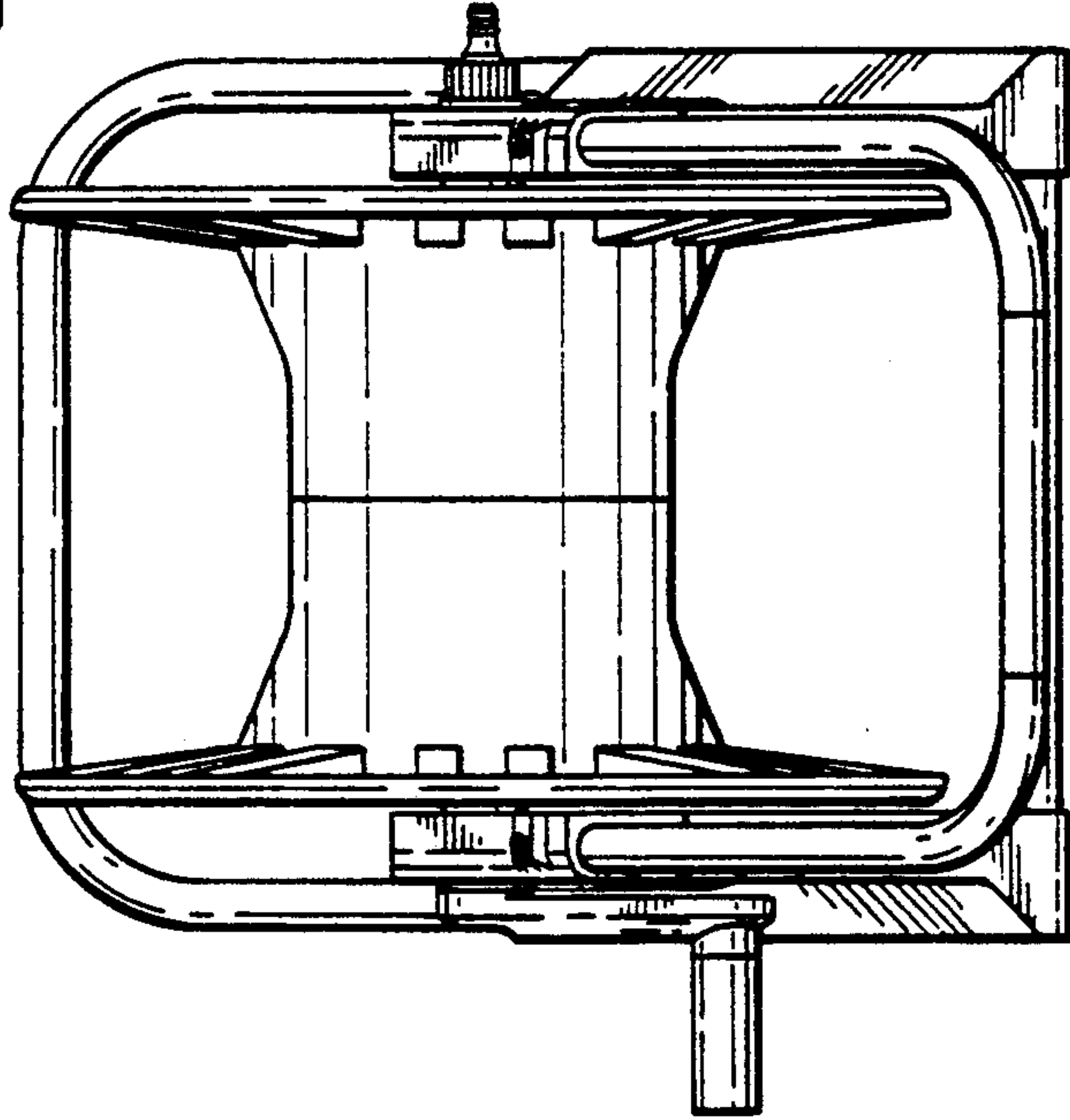


FIG. 7

